



US00D797228S

(12) **United States Design Patent** (10) **Patent No.:** **US D797,228 S**
Zeigler (45) **Date of Patent:** **** Sep. 12, 2017**

(54) **GOLF CLUB FACE POINTER** 6,716,109 B1 * 4/2004 Murtha A63B 69/3685
473/226
(71) Applicant: **James Augustus Zeigler**, Sparks, NV D490,133 S * 5/2004 Hadala D21/717
(US) D500,352 S * 12/2004 Sullivan D21/791
7,059,970 B1 * 6/2006 Hamburger A63B 69/3685
(72) Inventor: **James Augustus Zeigler**, Sparks, NV 7,063,625 B2 * 6/2006 Murtha G01C 9/26
(US) 473/241
7,427,238 B1 * 9/2008 Oprandi A63B 69/3632
473/221

(**) Term: **15 Years**

(21) Appl. No.: **29/570,430**

(22) Filed: **Jul. 7, 2016**

(51) **LOC (10) Cl.** **21-02**

(52) **U.S. Cl.**
USPC **D21/789**

(58) **Field of Classification Search**
USPC D21/789, 791
CPC A63B 69/3685; A63B 69/3632; A63B
69/3614; A63B 69/36
See application file for complete search history.

(56) **References Cited**

U.S. PATENT DOCUMENTS

3,253,829 A * 5/1966 Ford A63B 69/3632
473/238
3,262,705 A * 7/1966 Nunziato A63B 69/3685
473/238
3,298,693 A * 1/1967 Eisenberg A63B 69/3632
473/238
3,533,630 A * 10/1970 Monaco A63B 53/14
473/206
D306,335 S * 2/1990 Franey D10/69
D308,998 S * 7/1990 Cates D10/69
4,949,971 A * 8/1990 Thornton A63B 69/3685
473/238
D339,840 S * 9/1993 Coconate D21/717
D347,457 S * 5/1994 Armstrong, III D21/791
5,441,270 A * 8/1995 Williams A63B 69/3685
473/242
D385,939 S * 11/1997 Suk D21/794
5,762,564 A * 6/1998 Schang A63B 69/3685
473/238

(Continued)

Primary Examiner — Mitchell Siegel

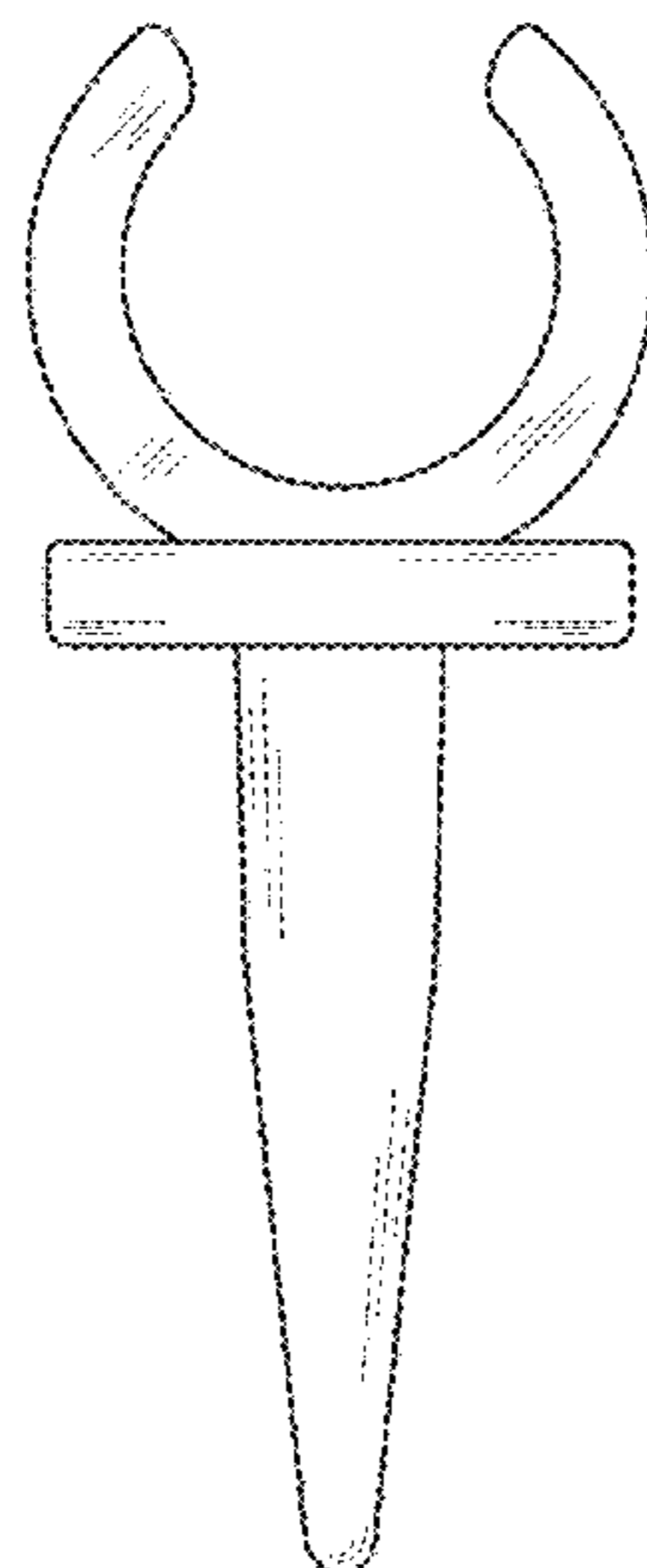
(57) **CLAIM**

What is claimed is the ornamental design for a golf club face pointer, as shown and described.

DESCRIPTION

FIG. 1 is a top view of a golf club face pointer according to an embodiment of the present disclosure;
FIG. 2 is a bottom view of the golf club face pointer of FIG. 1;
FIG. 3 is a left side view of the golf club face pointer of FIG. 1;
FIG. 4 is a right side view of the golf club face pointer of FIG. 1;
FIG. 5 is a back view of the golf club face pointer of FIG. 1;
FIG. 6 is a front view of the golf club face pointer of FIG. 1;
FIG. 7 is a front perspective view of the golf club face pointer of FIG. 1;
FIG. 8 is a rear perspective view of the golf club face pointer of FIG. 1; and,
FIG. 9 illustrates the golf club face pointer positioned on an example golf club.
The broken lines are for illustrative purposes only and do not form any part of the claimed design.

1 Claim, 5 Drawing Sheets



(56)

References Cited

U.S. PATENT DOCUMENTS

D581,005 S * 11/2008 Rush D21/791
7,727,080 B1 * 6/2010 Fitzgerald A63B 69/3632
473/221

* cited by examiner

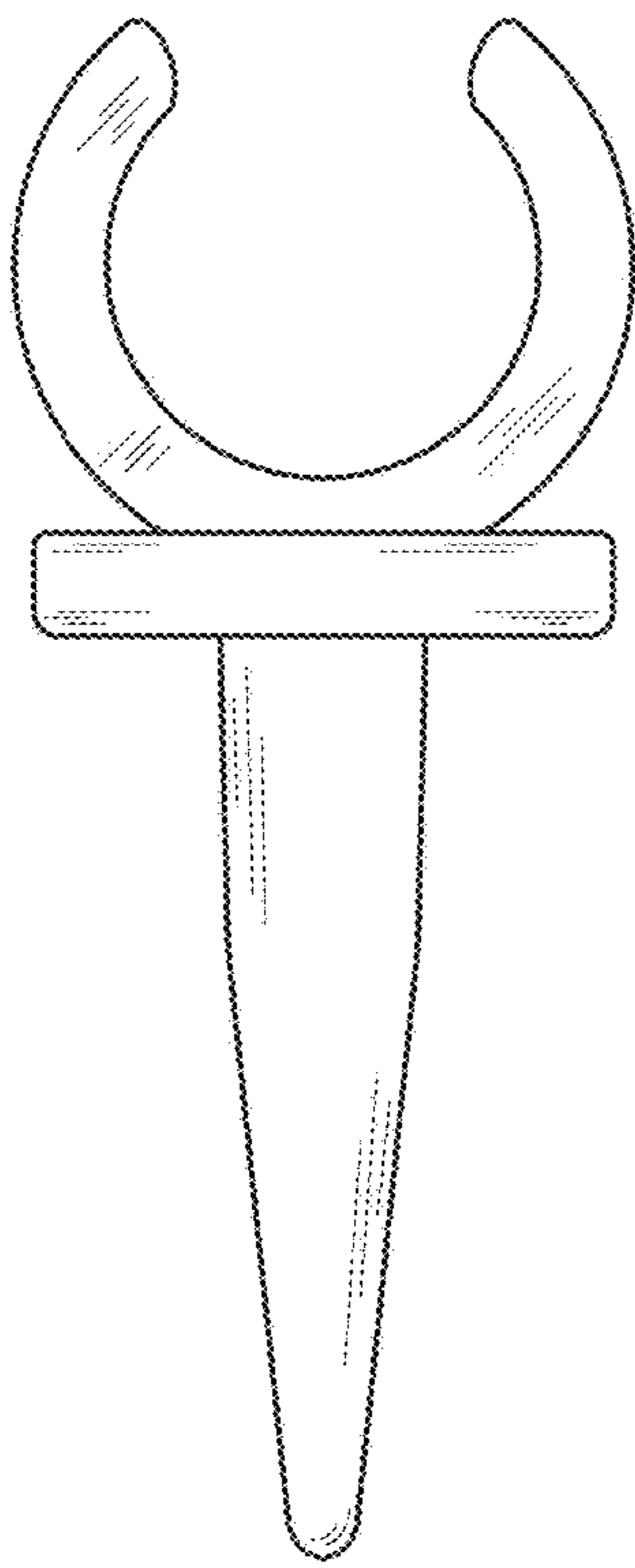


FIG. 1

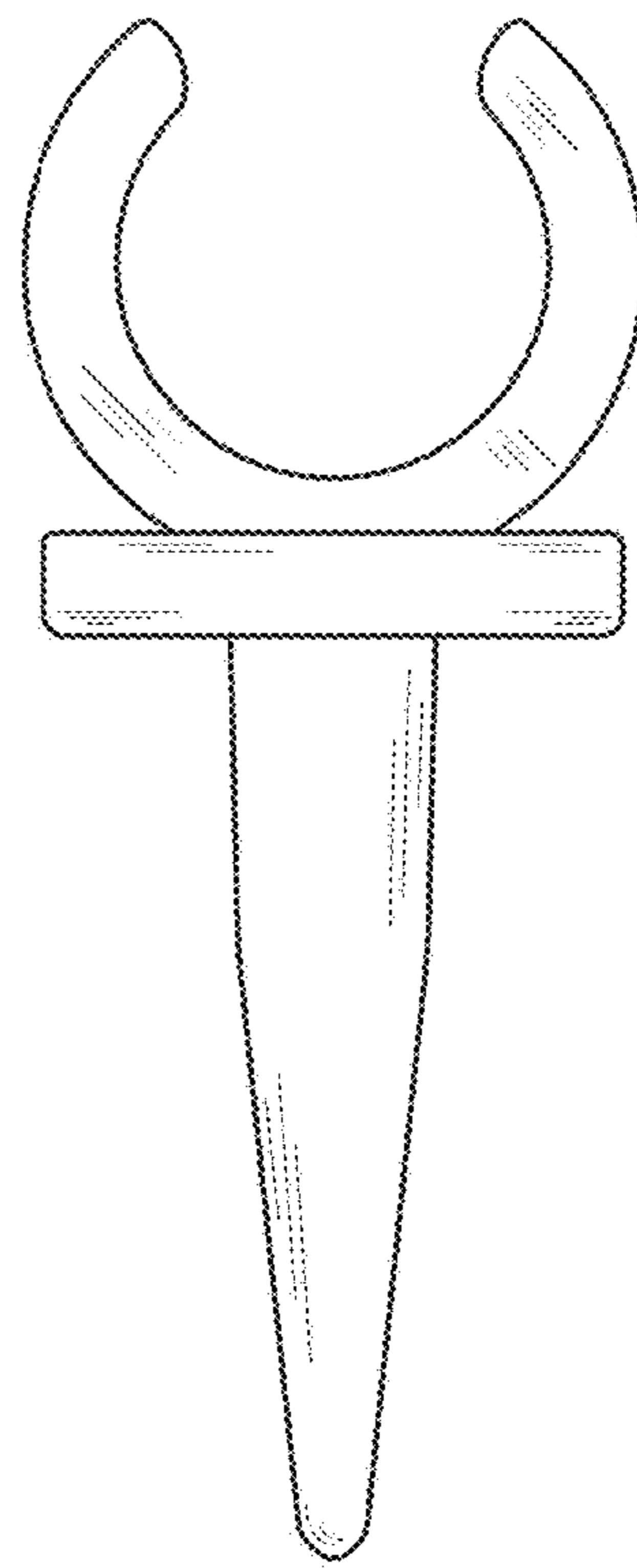


FIG. 2

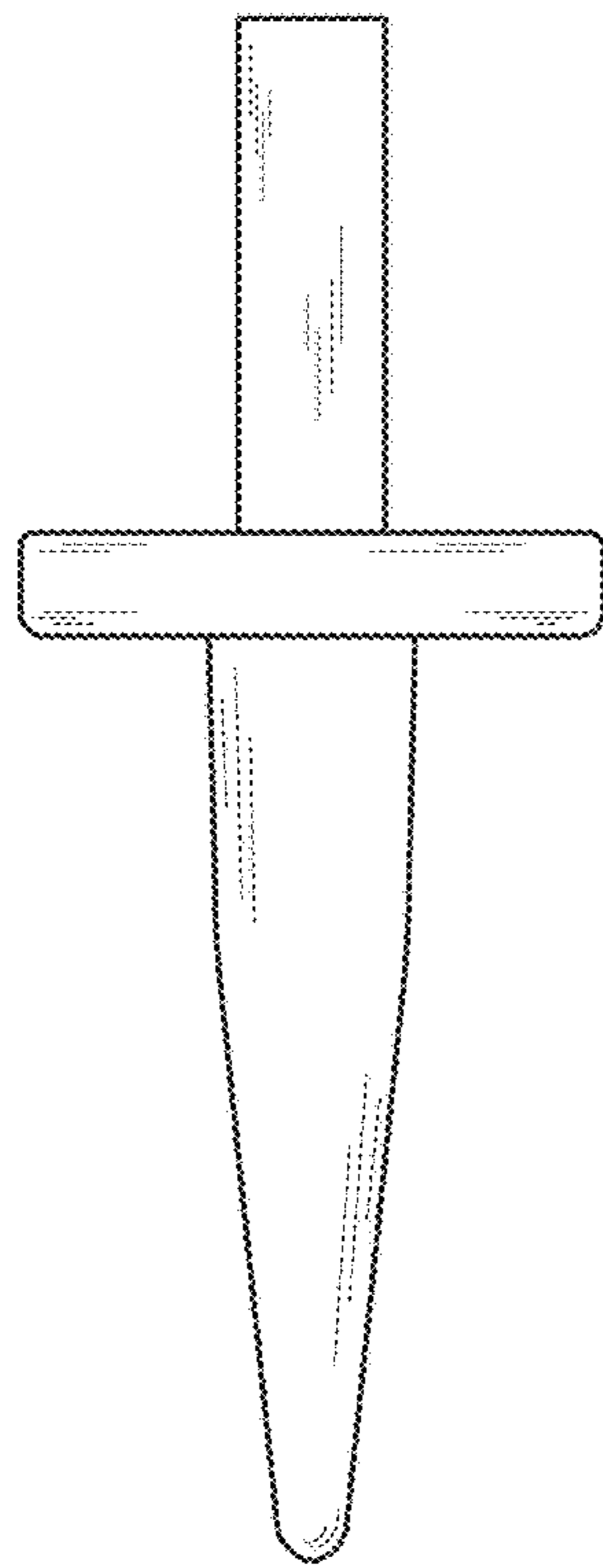


FIG. 3

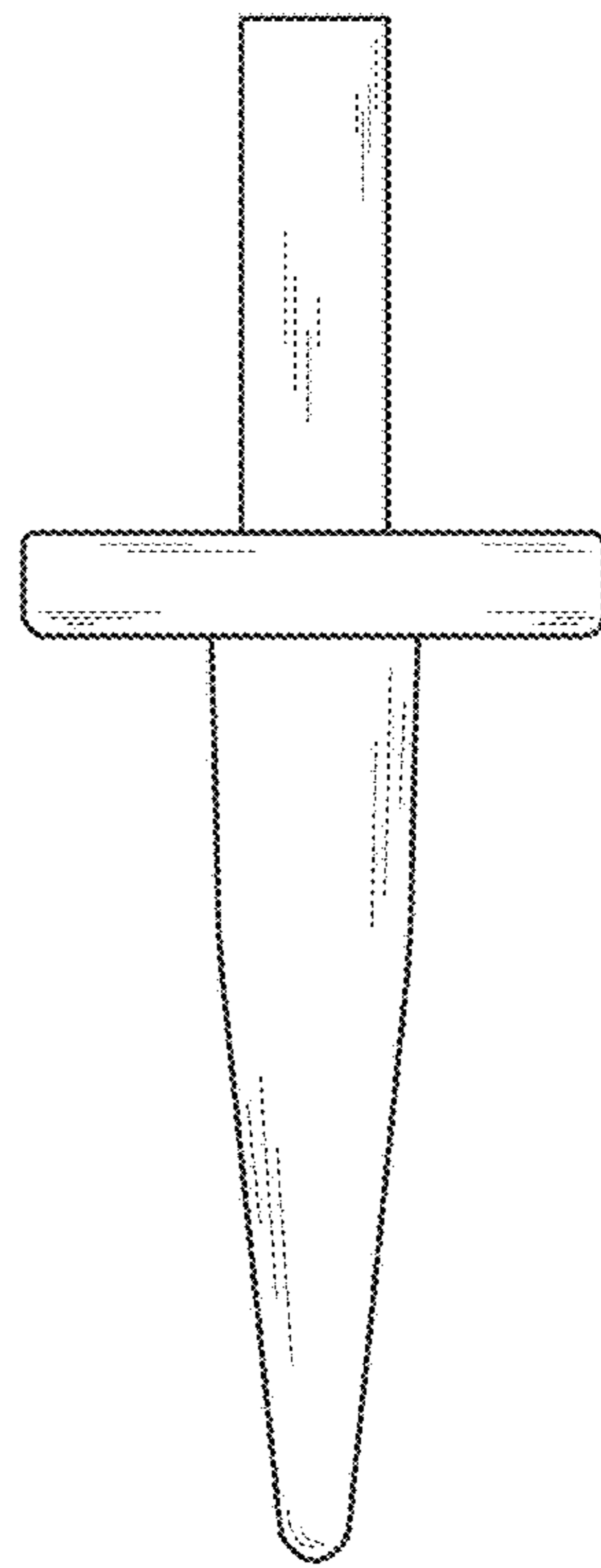


FIG. 4

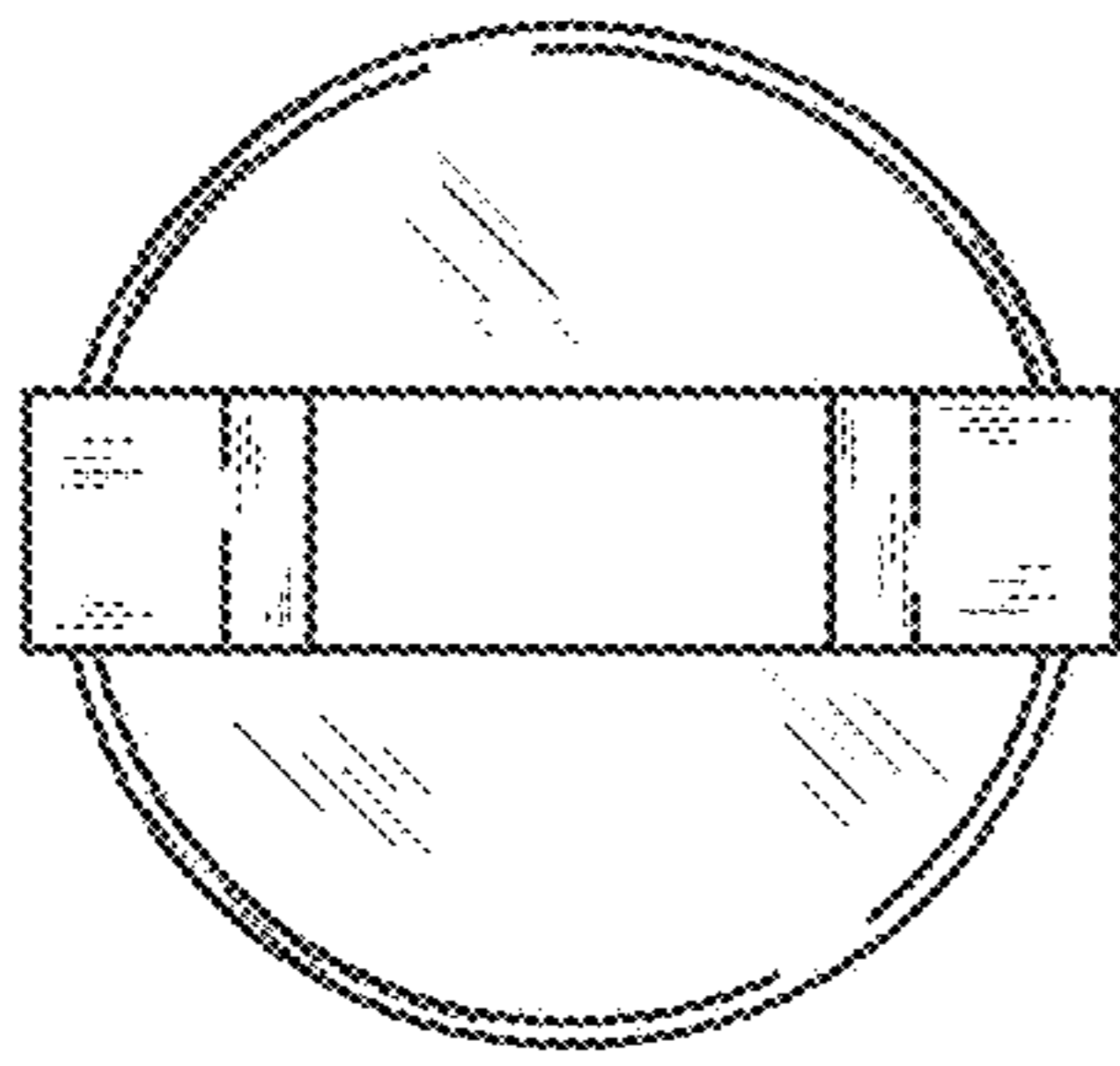


FIG. 5

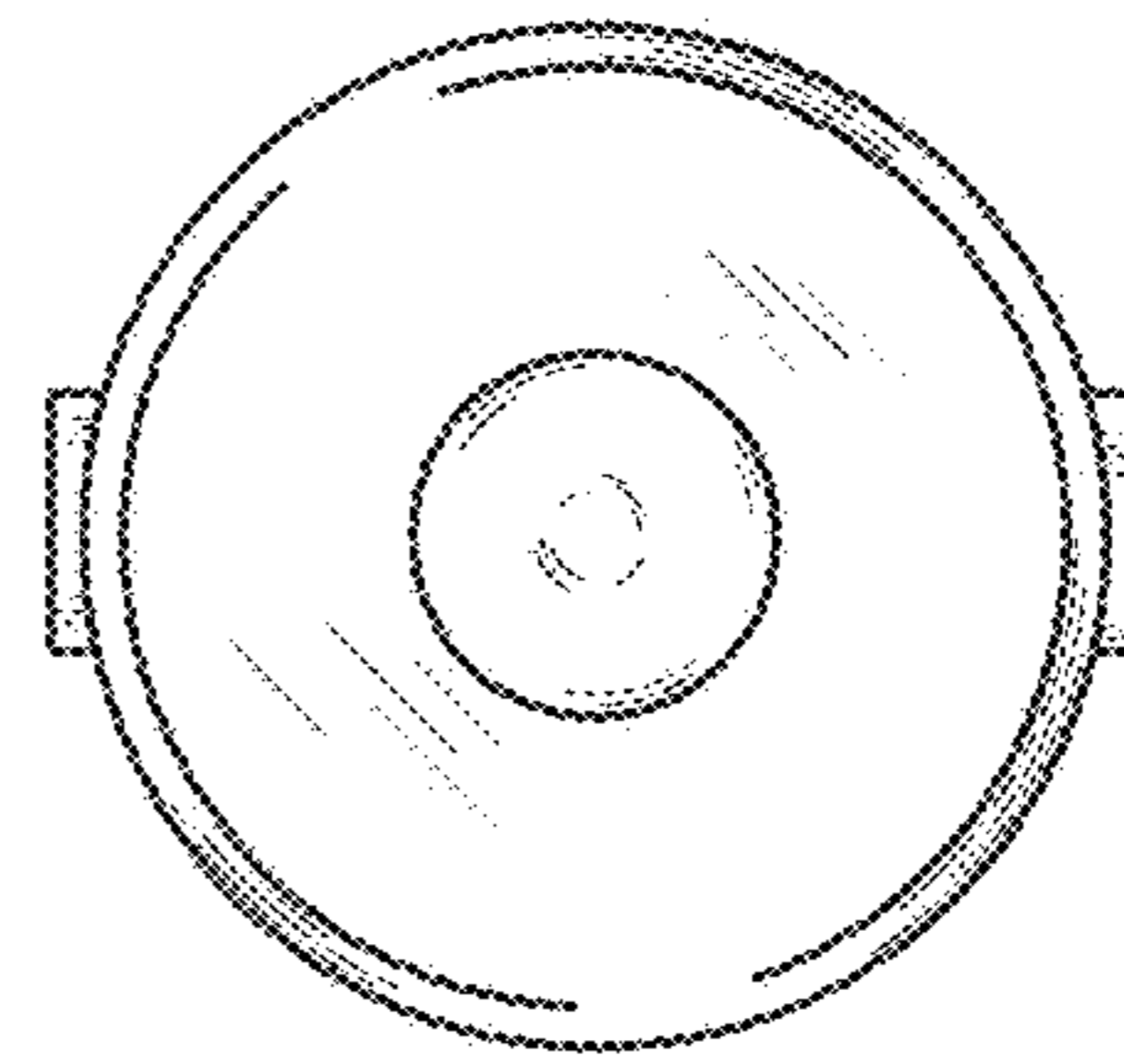


FIG. 6

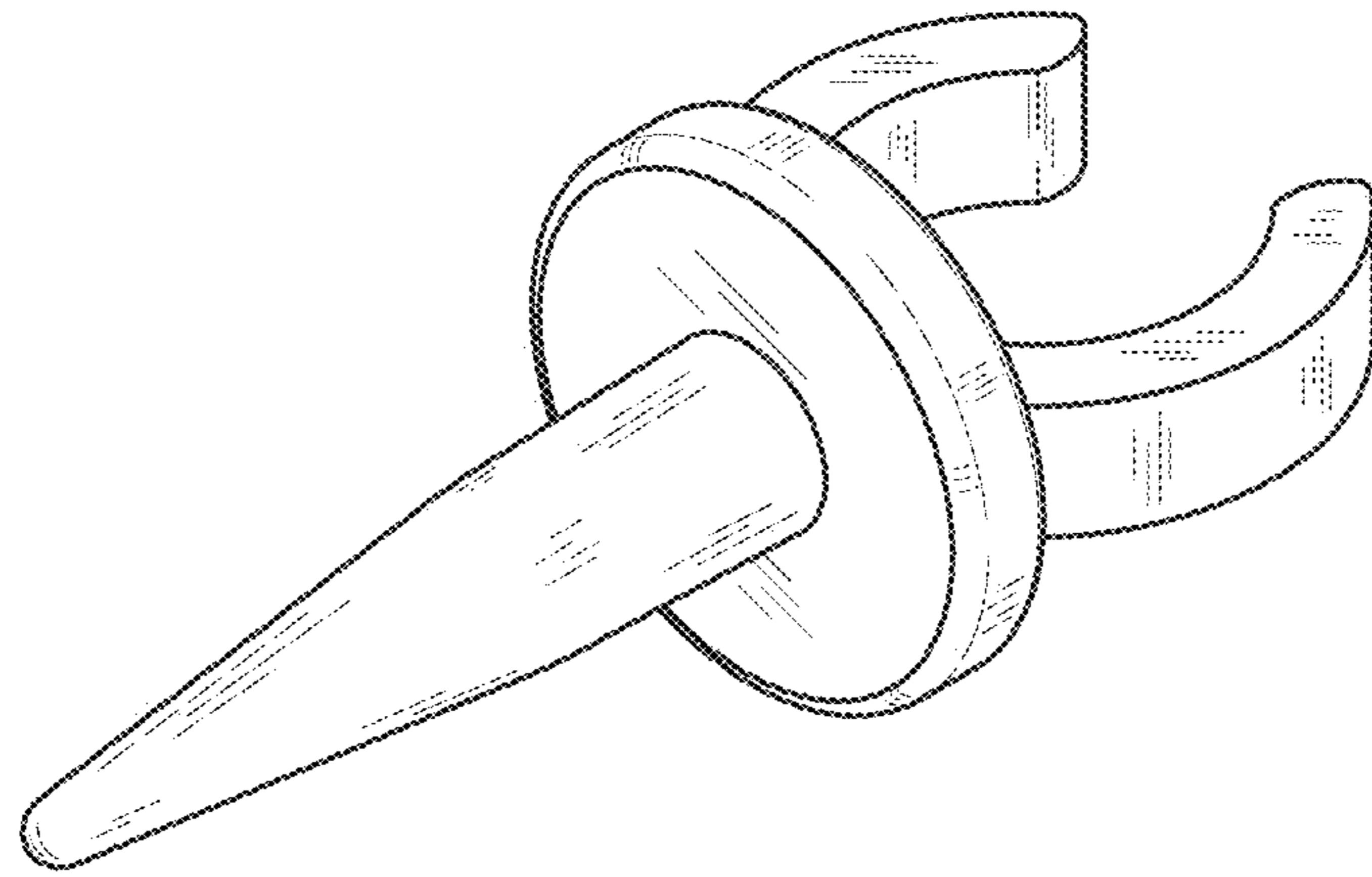


FIG. 7

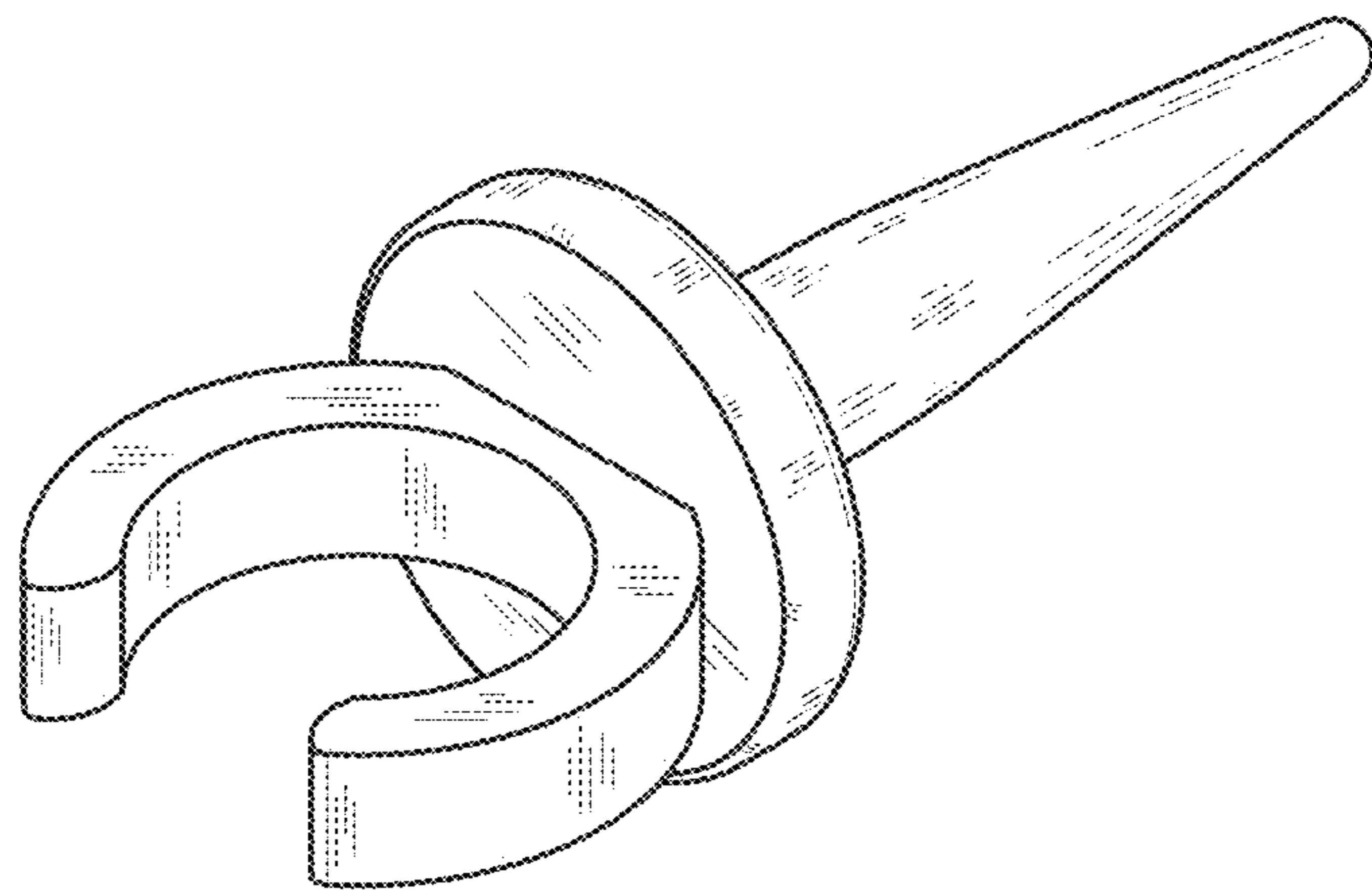


FIG. 8

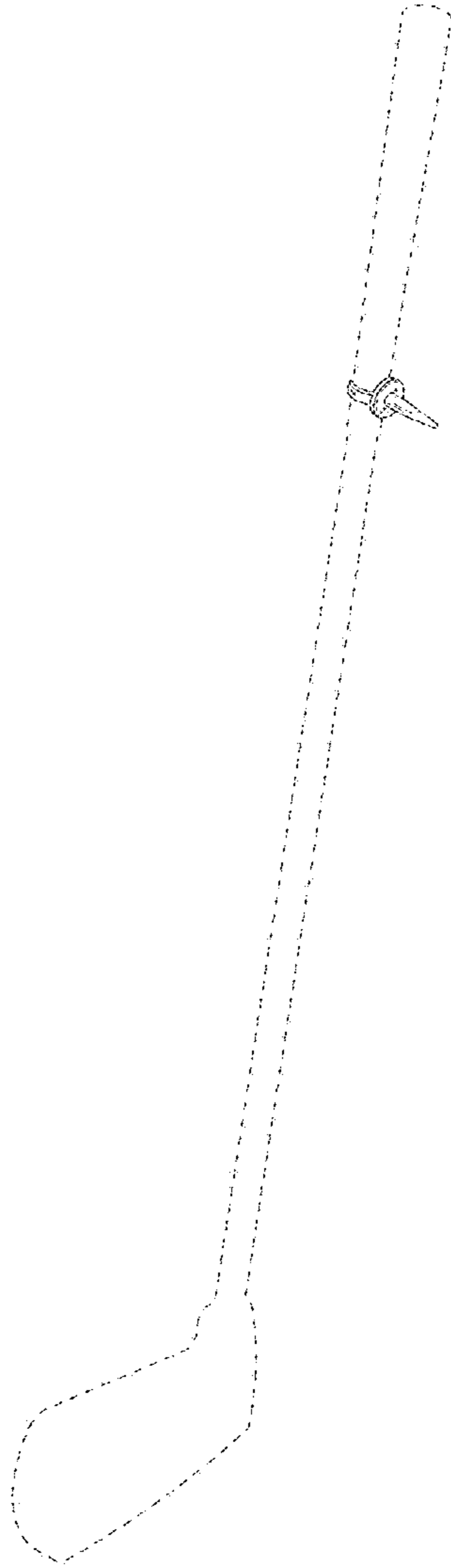


FIG. 9