



US00D797227S

(12) **United States Design Patent** (10) **Patent No.:** **US D797,227 S**  
**Treadway et al.** (45) **Date of Patent:** **\*\* Sep. 12, 2017**

- (54) **ELECTRIC SKATEBOARD**
- (71) Applicant: **Acton, Inc.**, Mountain View, CA (US)
- (72) Inventors: **Peter Treadway**, Sunnyvale, CA (US);  
**Janelle Wang Treadway**, Sunnyvale, CA (US); **Kefan Hu**, Santa Clara, CA (US)
- (73) Assignee: **Acton, Inc.**, Mountain View, CA (US)
- (\*\*) Term: **15 Years**
- (21) Appl. No.: **29/577,281**
- (22) Filed: **Sep. 12, 2016**
- (51) **LOC (10) Cl.** ..... **21-02**
- (52) **U.S. Cl.**  
USPC ..... **D21/765**
- (58) **Field of Classification Search**  
USPC ..... D21/419, 421, 423, 426, 760, 765, 766,  
D21/769, 771, 776, 803; 280/7.14,  
280/11.115, 11.19, 11.27, 11.28, 14.21,  
280/87.01, 87.021, 87.03, 87.041, 87.042,  
280/607, 608, 609, 610, 809; 180/180,  
180/181; 434/247, 253, 258  
CPC ..... A63C 17/01; A63C 17/011; A63C 17/012;  
A63C 17/014; A63C 17/015; A63C  
17/02; A63C 17/26; A63C 5/003; A63B  
69/0022; B60Q 1/326; B62K 3/001  
See application file for complete search history.

- (56) **References Cited**  
U.S. PATENT DOCUMENTS
- 5,893,425 A \* 4/1999 Finkle ..... A63C 17/01  
180/180
- D720,419 S \* 12/2014 Norman ..... D21/765

- D720,823 S \* 1/2015 Norman ..... D21/765  
D720,824 S \* 1/2015 Norman ..... D21/765  
D722,664 S \* 2/2015 Norman ..... D21/765  
D722,665 S \* 2/2015 Norman ..... D21/765  
D723,123 S \* 2/2015 Norman ..... D21/765  
D751,160 S \* 3/2016 Tian ..... D21/765  
2005/0006158 A1 \* 1/2005 Tsai ..... A63C 17/12  
180/167  
2010/0222941 A1 \* 9/2010 Chang ..... A63C 17/015  
701/2  
2013/0206493 A1 \* 8/2013 Larson ..... A63C 17/012  
180/181  
2014/0027192 A1 \* 1/2014 King ..... A63C 17/12  
180/181  
2016/0059108 A1 \* 3/2016 Demolder ..... A63C 17/12  
701/22

\* cited by examiner

*Primary Examiner* — Cynthia M Chin

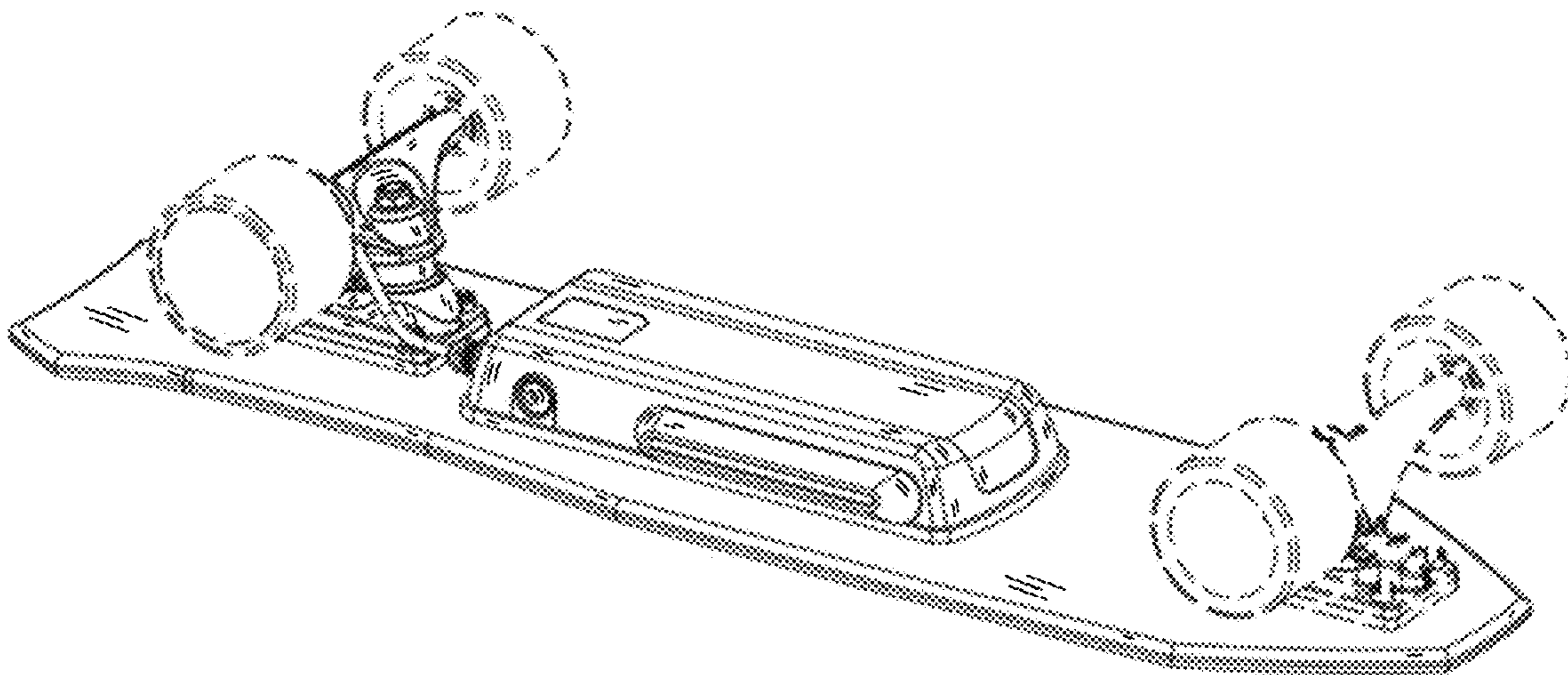
(57) **CLAIM**

The ornamental design for an electric skateboard, as shown and described.

**DESCRIPTION**

FIG. 1 is a top view showing an electric skateboard;  
FIG. 2 is a bottom view thereof;  
FIG. 3 is a rear view thereof;  
FIG. 4 is a front view thereof;  
FIG. 5 is a right-side view thereof;  
FIG. 6 is a left-side view thereof; and,  
FIG. 7 is a bottom, front and right perspective view thereof.  
The broken lines in FIGS. 1 through 7 illustrate portions of the electric skateboard that are not part of the claimed design.

**1 Claim, 5 Drawing Sheets**



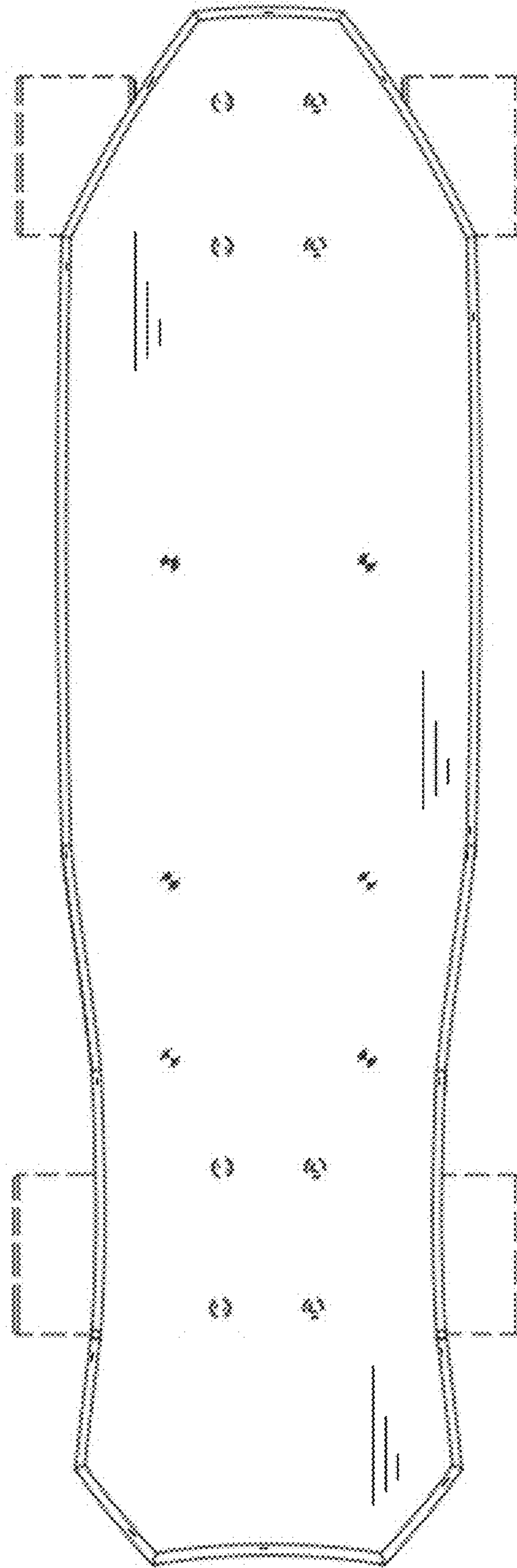


FIG. 1

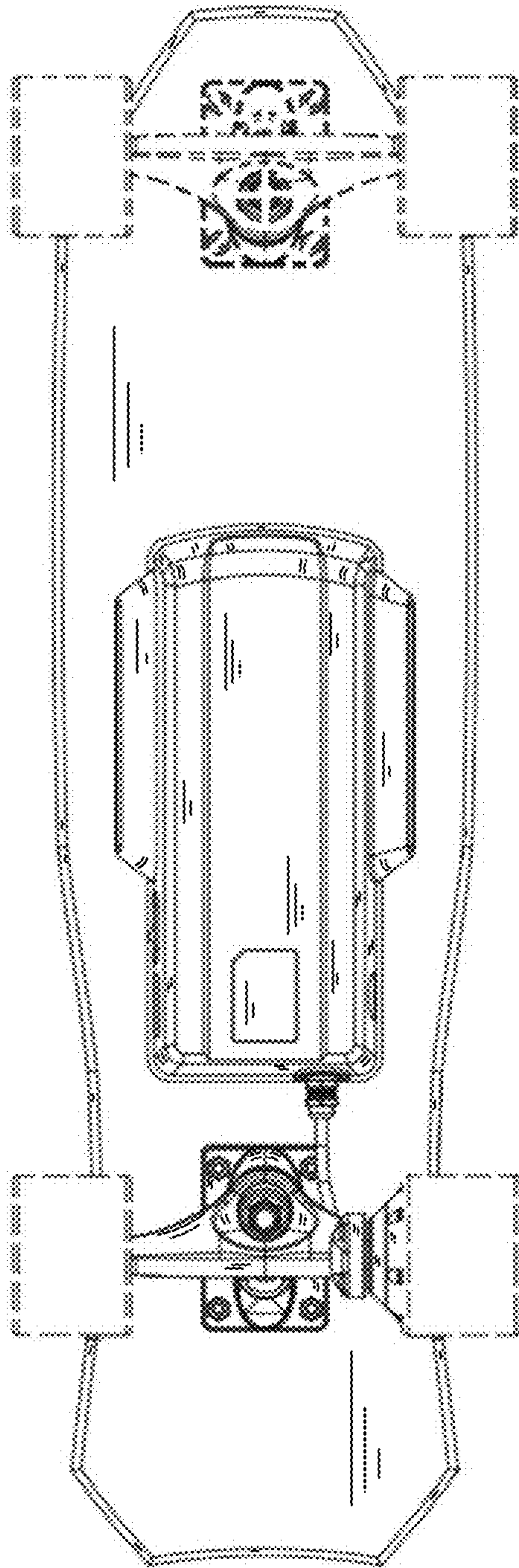


FIG. 2

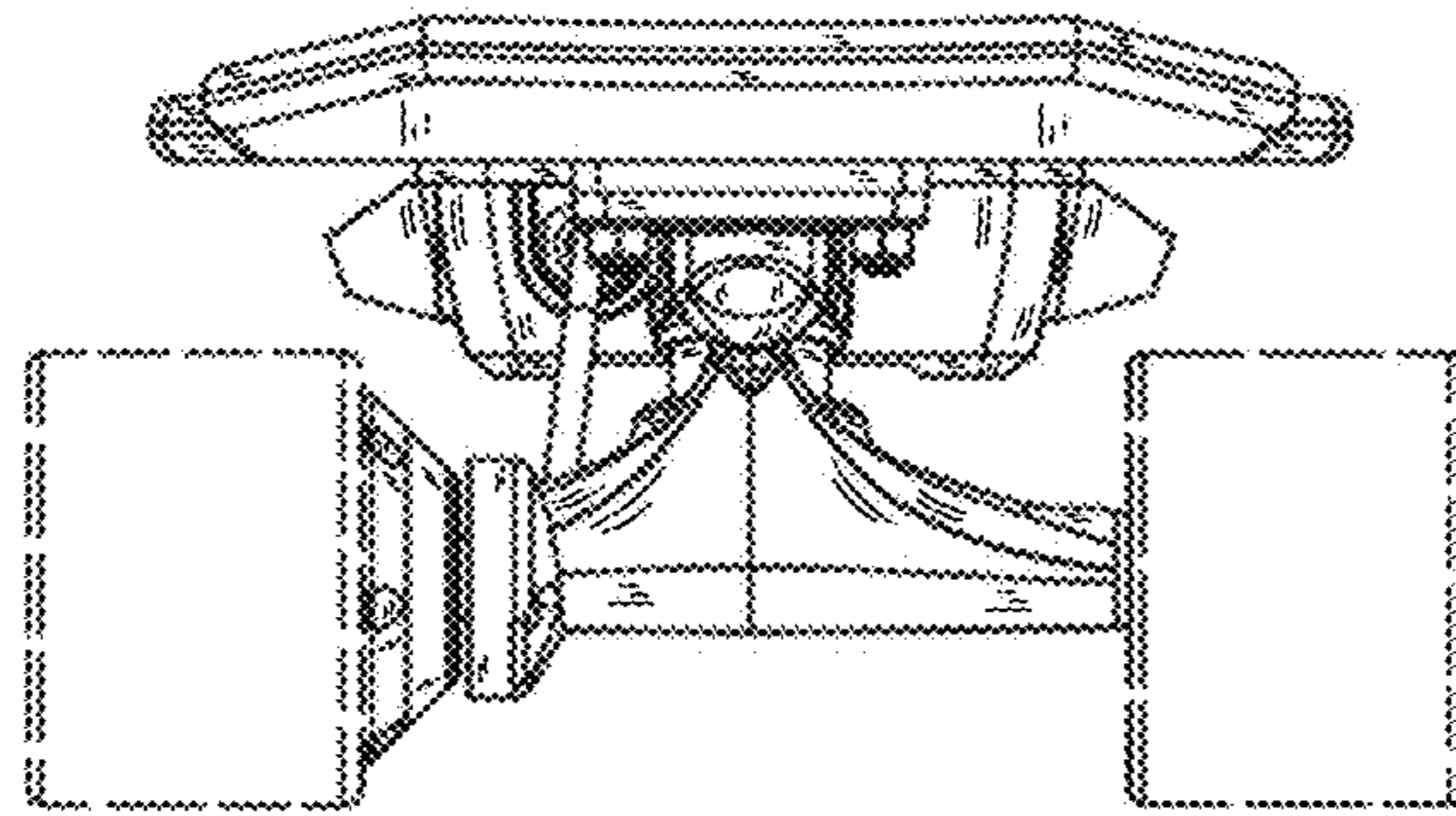


FIG. 3

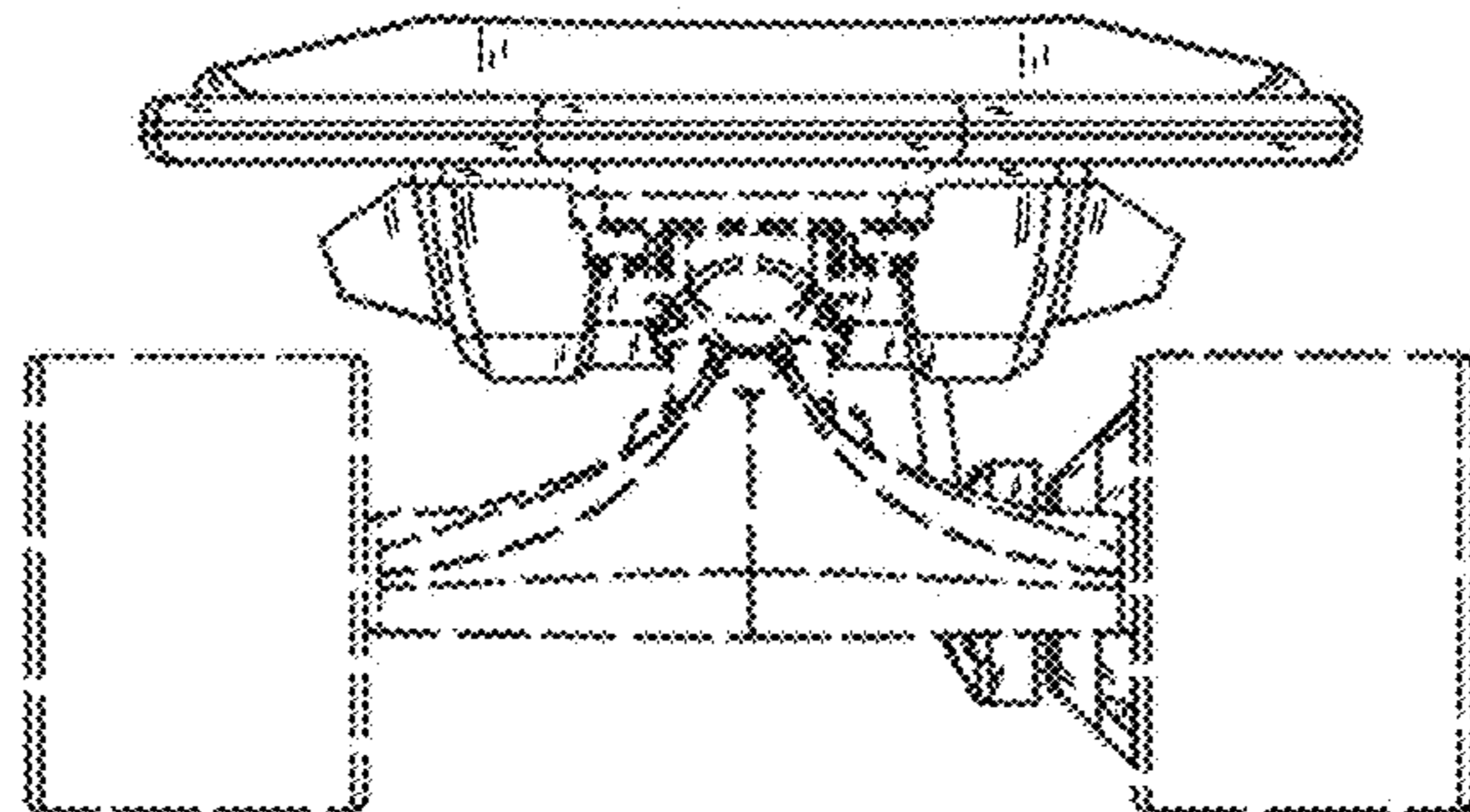


FIG. 4

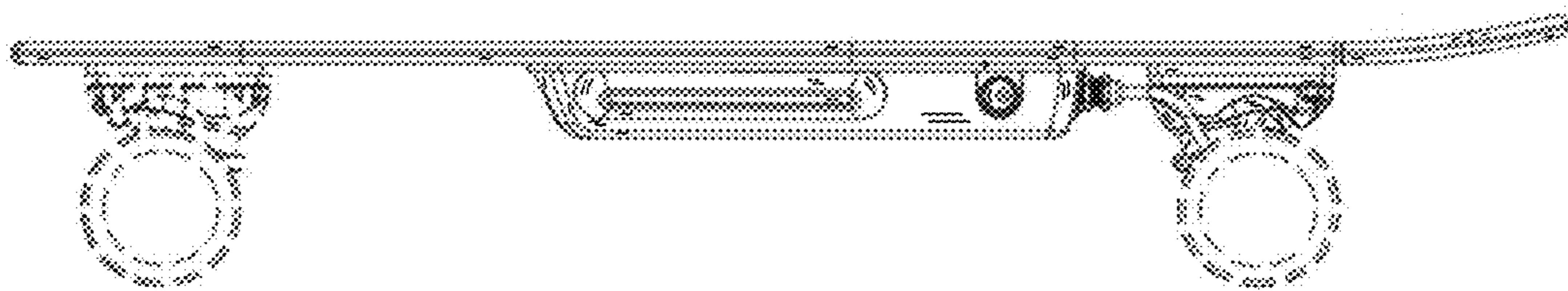


FIG. 5

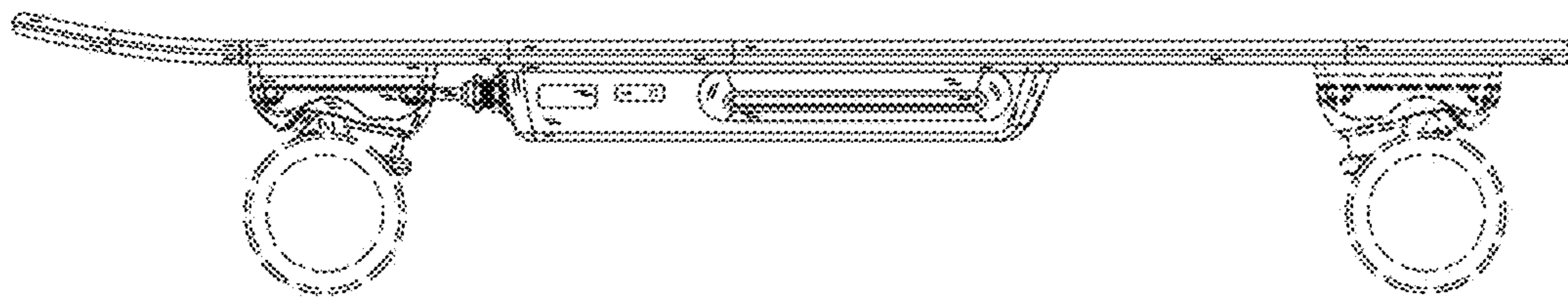


FIG. 6

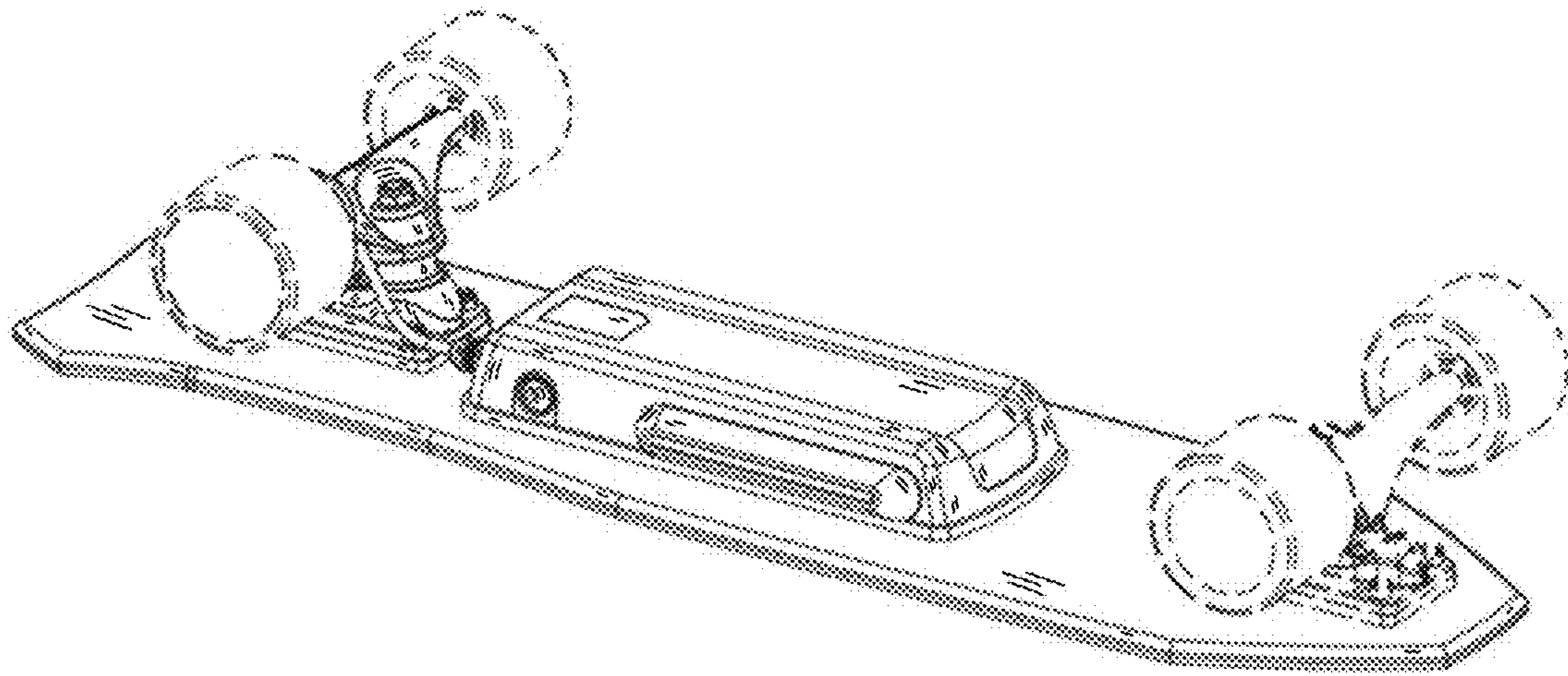


FIG. 7