



US00D797226S

(12) **United States Design Patent**
Wu

(10) **Patent No.:** **US D797,226 S**

(45) **Date of Patent:** **** Sep. 12, 2017**

(54) **ROLLER SKATE**

(71) Applicant: **Min-Lien Wu**, Taipei (TW)

(72) Inventor: **Min-Lien Wu**, Taipei (TW)

(**) Term: **15 Years**

(21) Appl. No.: **29/572,306**

(22) Filed: **Jul. 27, 2016**

(51) **LOC (10) Cl.** **21-02**

(52) **U.S. Cl.**

USPC **D21/764**

(58) **Field of Classification Search**

USPC D21/760, 763-765, 771; D2/902, 904;
280/7.14, 11.115, 11.19, 11.2, 11.22,
280/11.23, 11.26, 11.27, 11.28, 14.21,
280/87.01, 87.021, 87.03, 87.041, 87.042,
280/809

CPC A63C 17/00; A63C 17/006; A63C 17/04;
A63C 17/08; A63C 17/0046; A63C
17/0086; A63C 17/12; A63C 17/14; A63C
17/16

See application file for complete search history.

(56) **References Cited**

U.S. PATENT DOCUMENTS

3,774,924 A * 11/1973 Machatsch A63C 17/02
280/11.208
4,402,521 A * 9/1983 Mongeon A63C 17/02
280/11.225

D326,700 S * 6/1992 Brown 280/11.231
D396,516 S * 7/1998 Fung D21/763
6,722,670 B1 * 4/2004 Lee A43B 5/1658
280/11.19
D513,296 S * 12/2005 Lin D21/763
D741,969 S * 10/2015 Green D21/763
D764,615 S * 8/2016 Treadway D21/763
2014/0265176 A1 * 9/2014 Lin A63C 17/0086
280/11.26

* cited by examiner

Primary Examiner — Cynthia M Chin

(57) **CLAIM**

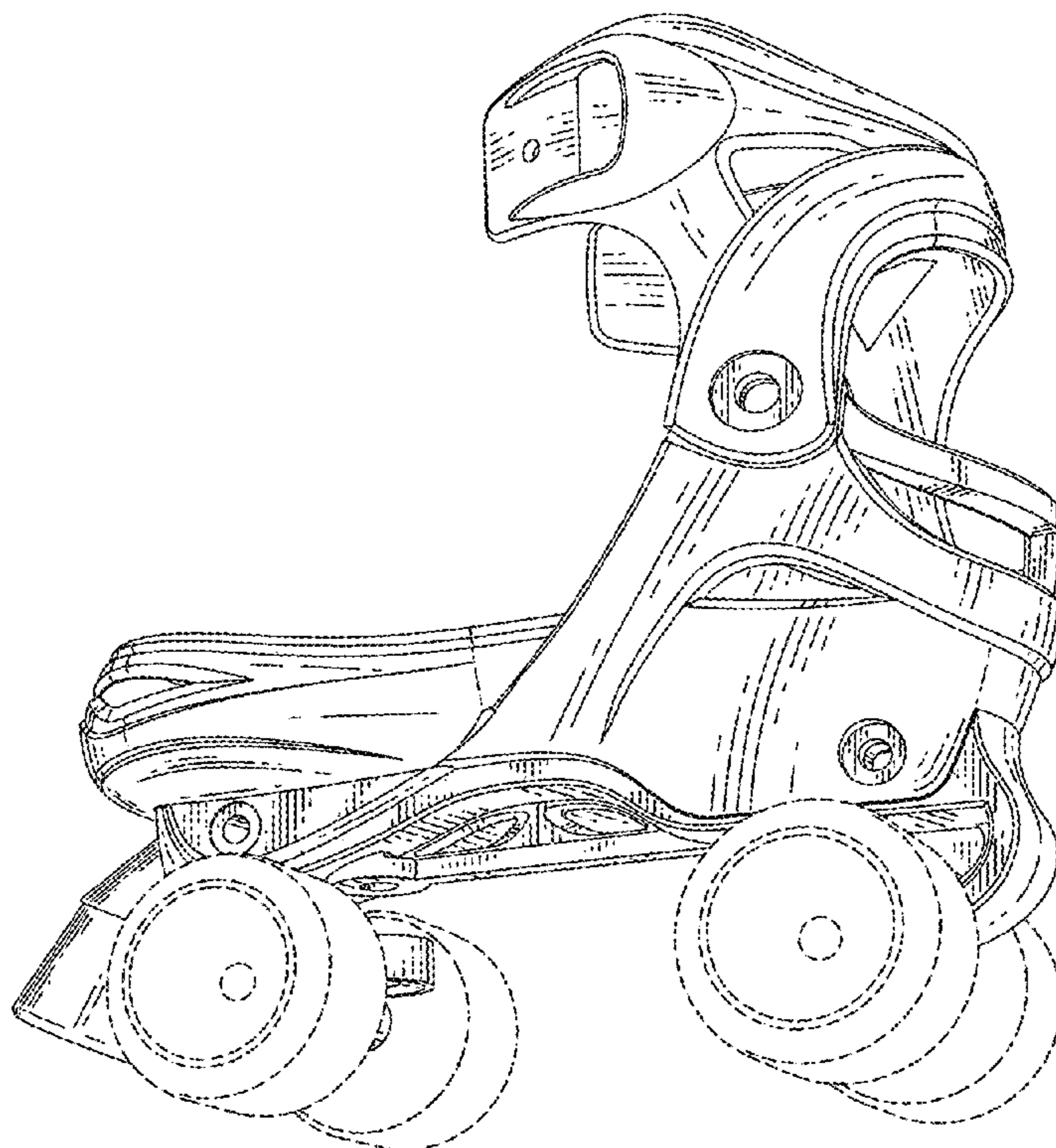
The ornamental design for a roller skate, as shown and described.

DESCRIPTION

FIG. 1 is a perspective view of a roller skate showing my new design;
FIG. 2 is a front elevational view thereof;
FIG. 3 is a rear elevational view thereof;
FIG. 4 is a left side view thereof;
FIG. 5 is a right side view thereof;
FIG. 6 is a top plan view thereof; and,
FIG. 7 is a bottom plan view thereof.

The portions of the article shown in broken lines form no part of the claimed design.

1 Claim, 7 Drawing Sheets



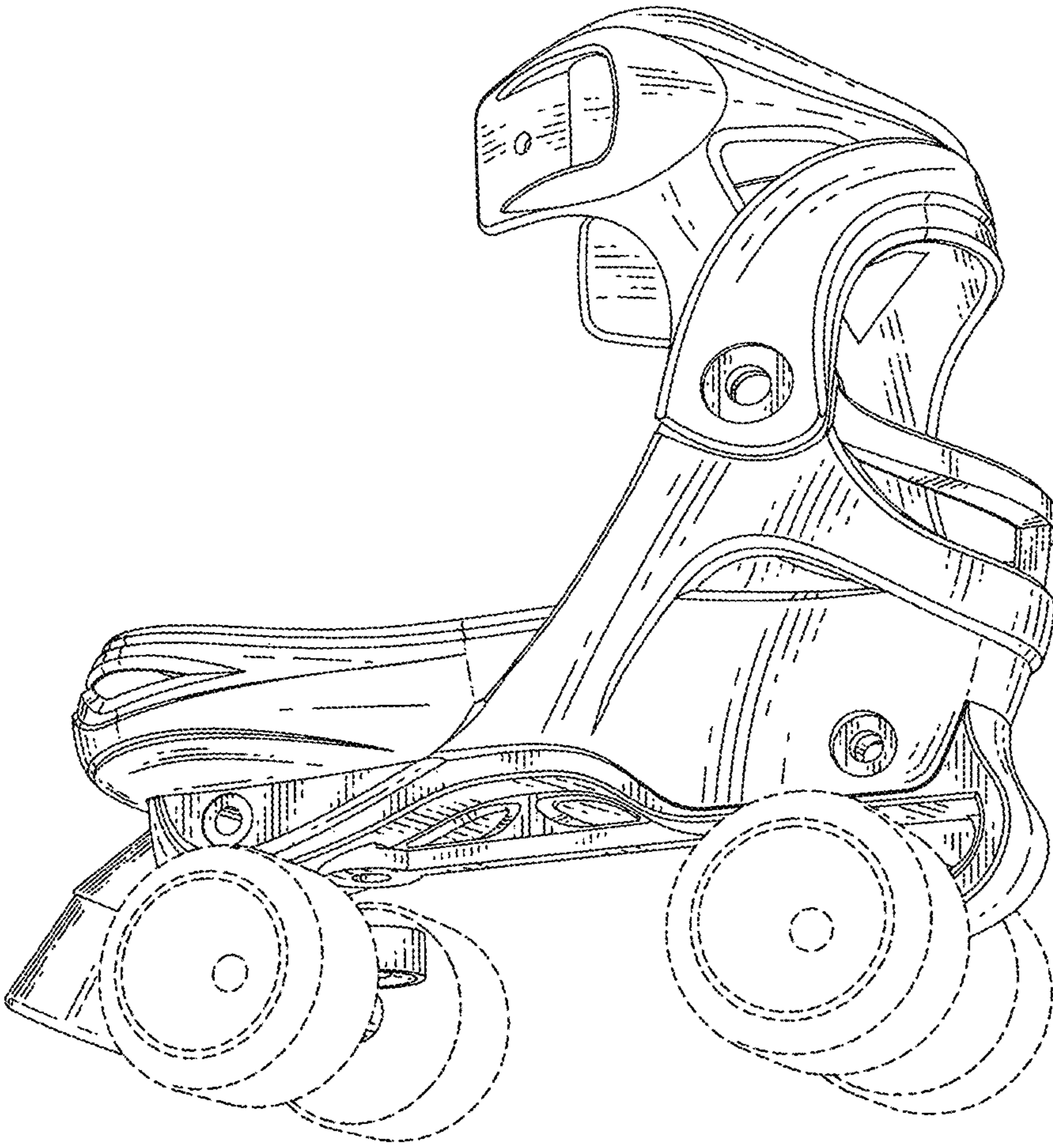


FIG.1

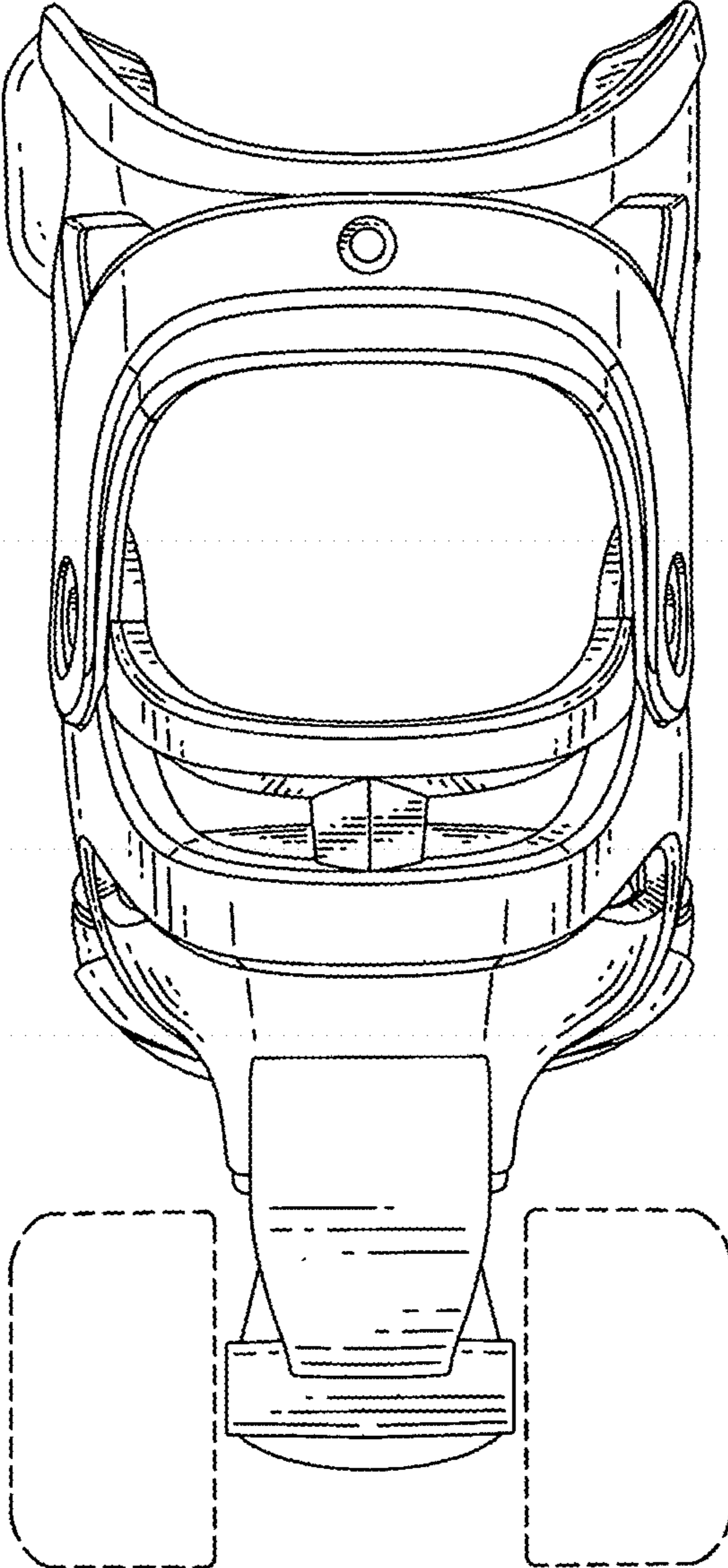


FIG.2

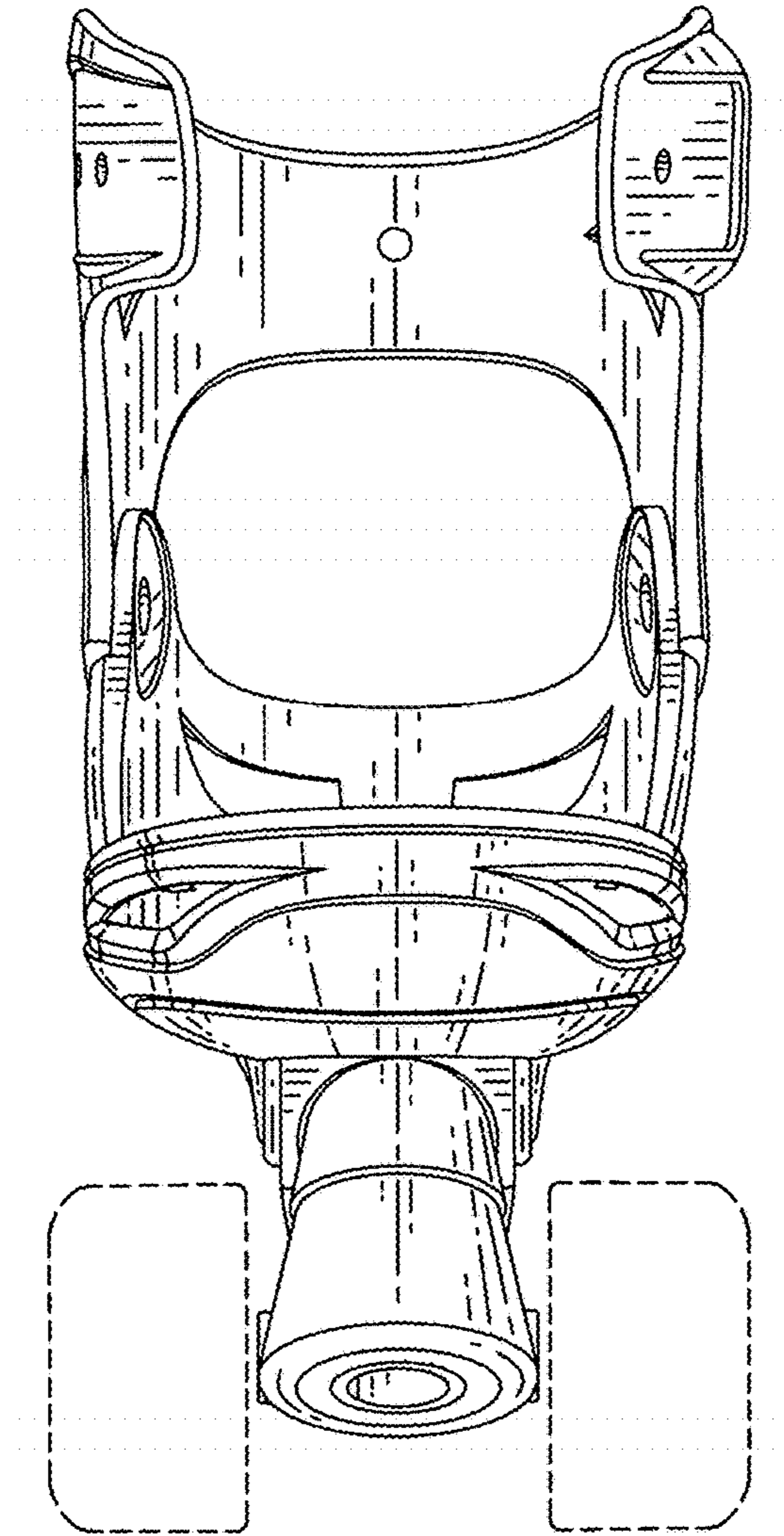


FIG.3

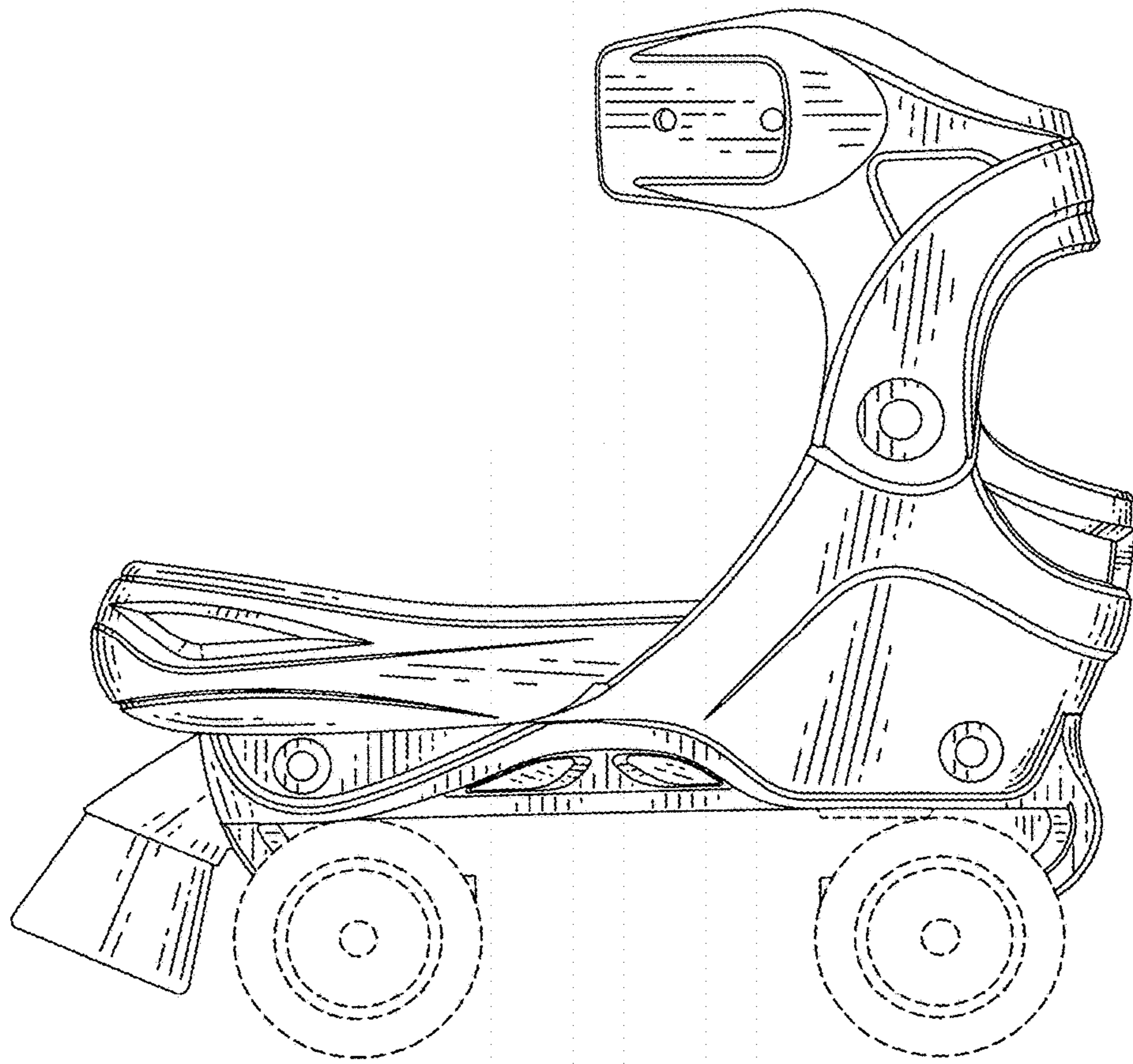


FIG.4

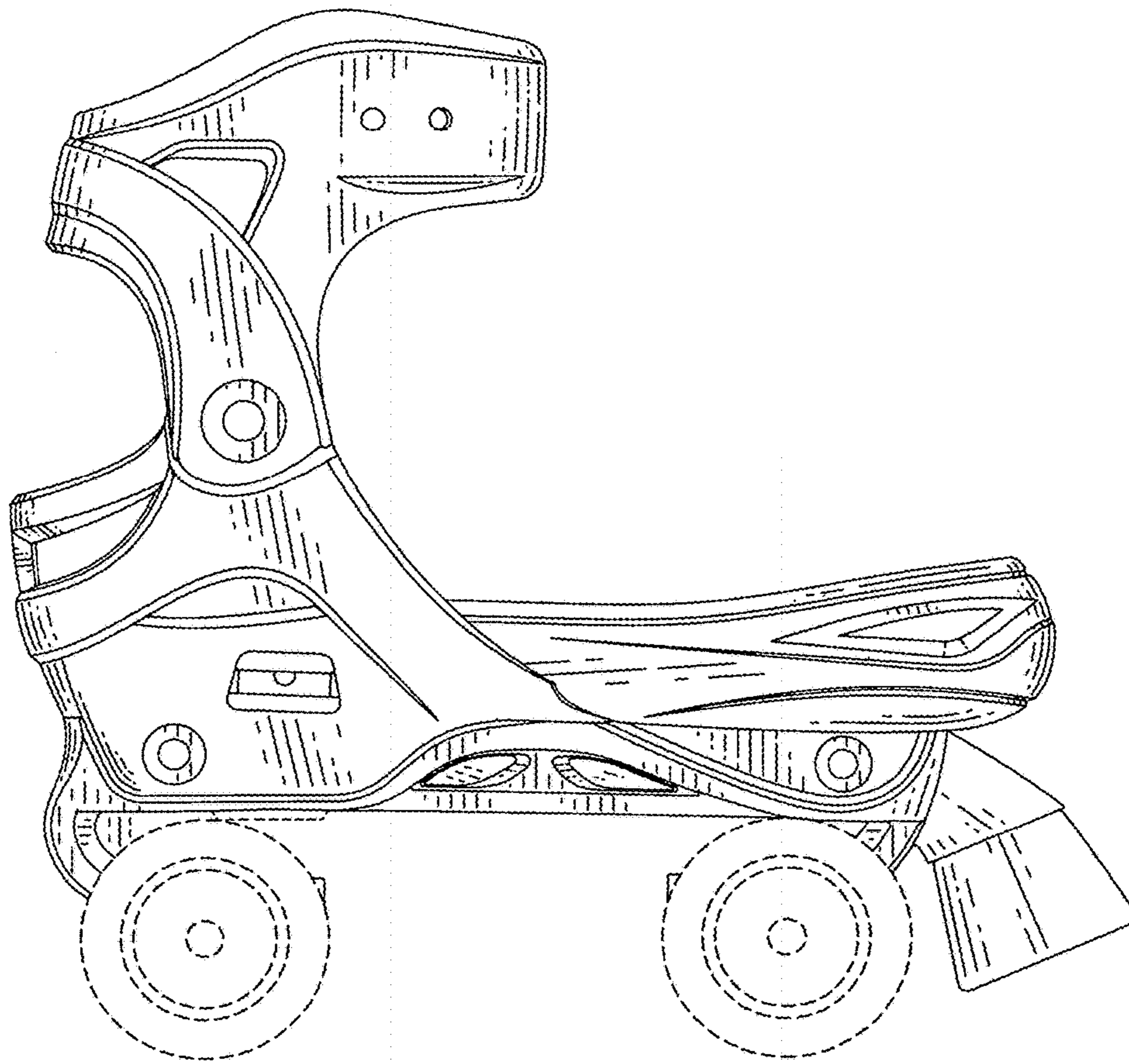


FIG.5

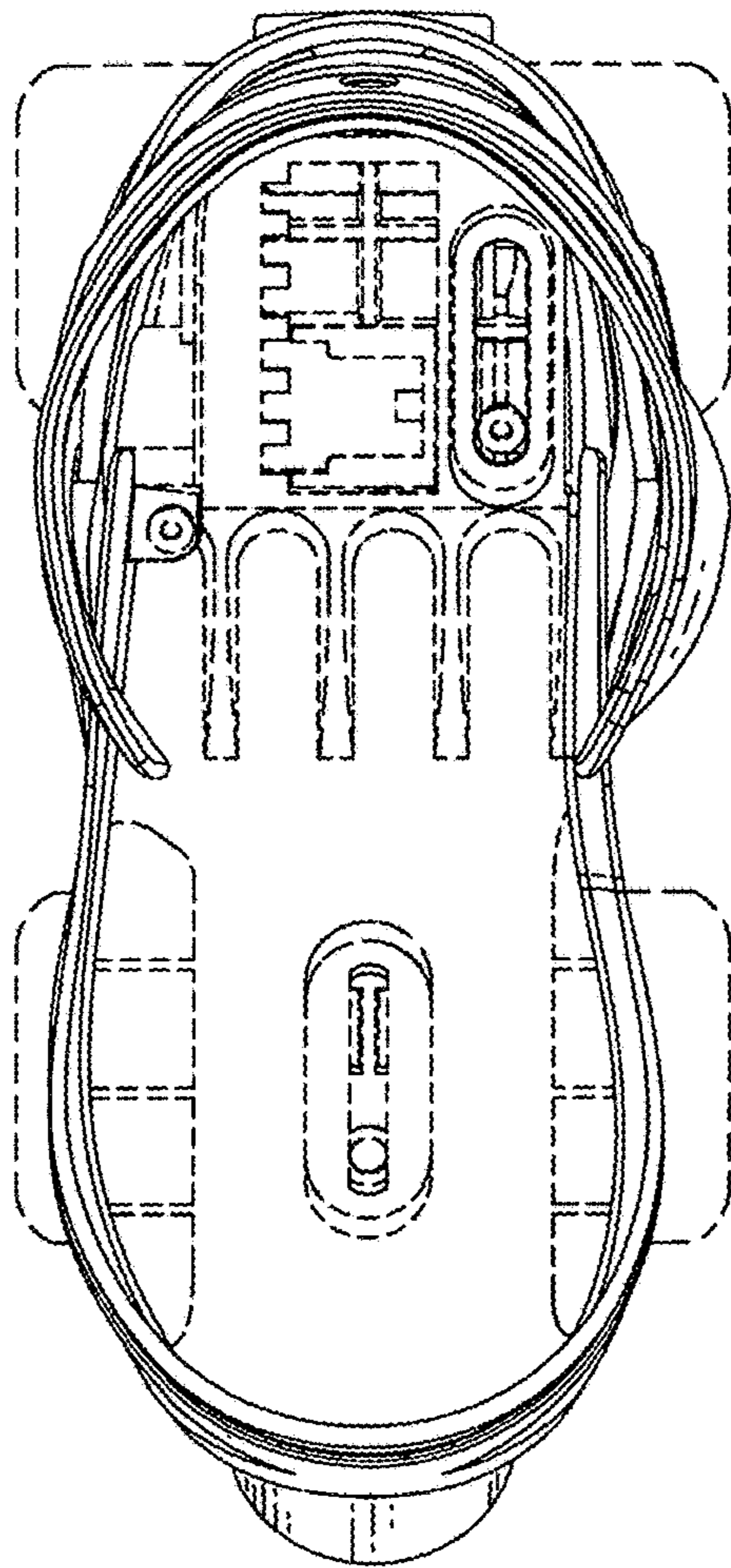


FIG. 6

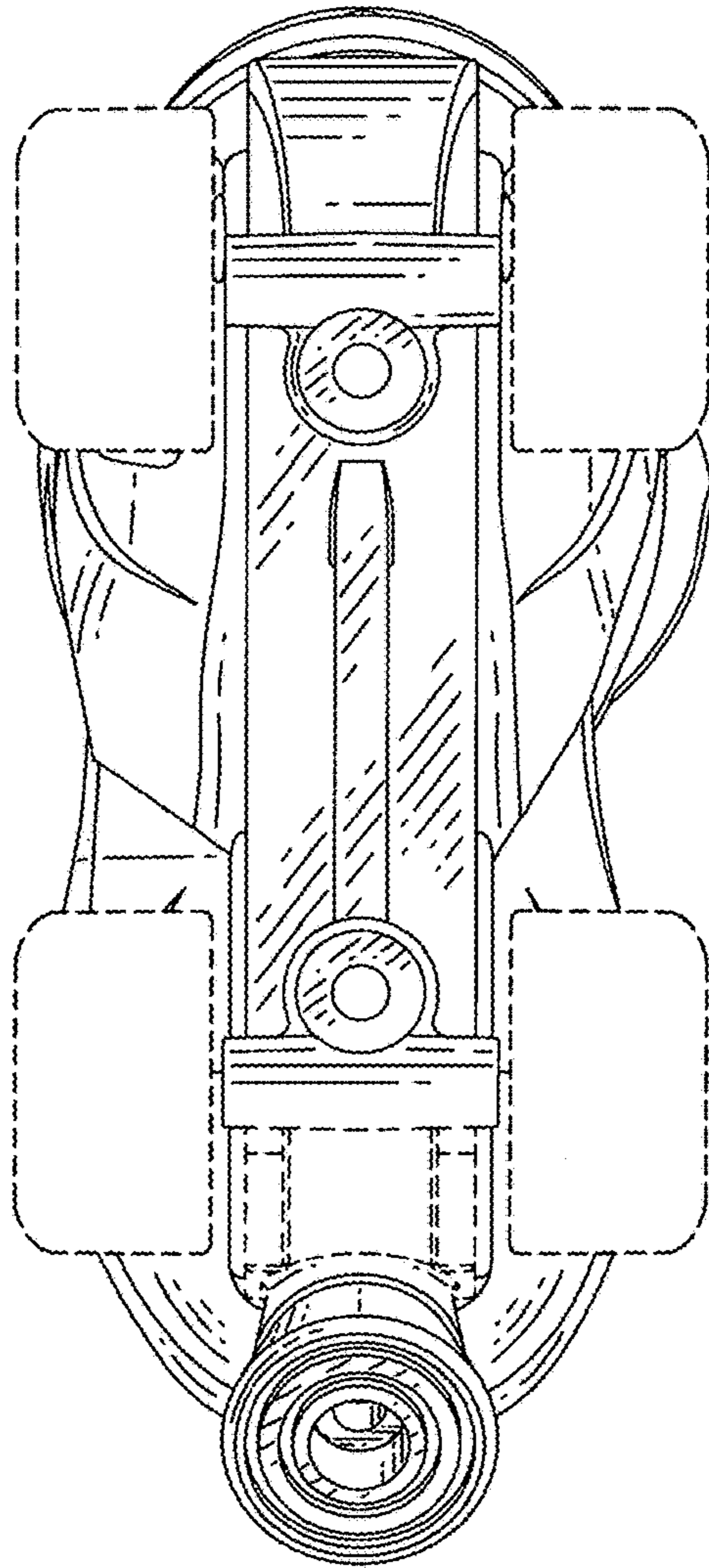


FIG.7