

US00D797220S

(12) **United States Design Patent**
Serrano et al.

(10) **Patent No.:** **US D797,220 S**

(45) **Date of Patent:** **** Sep. 12, 2017**

(54) **GOLF CLUB HEAD**

(71) Applicant: **KARSTEN MANUFACTURING CORPORATION**, Phoenix, AZ (US)

(72) Inventors: **Anthony Serrano**, Anthem, AZ (US);
Xiaojian Chen, Phoenix, AZ (US);
Calvin Wang, Chandler, AZ (US);
David Higdon, Phoenix, AZ (US)

(73) Assignee: **Karsten Manufacturing Corporation**, Phoenix, AZ (US)

(**) Term: **15 Years**

(21) Appl. No.: **29/564,635**

(22) Filed: **May 13, 2016**

(51) **LOC (10) Cl.** **21-02**

(52) **U.S. Cl.**
USPC **D21/743**

(58) **Field of Classification Search**
USPC D21/736-746, 759
CPC A63B 53/00; A63B 53/007; A63B 53/065;
A63B 53/0487; A63B 53/04
See application file for complete search history.

(56) **References Cited**

U.S. PATENT DOCUMENTS

3,884,477	A	5/1975	Bianco	
D239,951	S *	5/1976	Carrier	D21/742
4,030,766	A	6/1977	Derr	
D316,129	S	4/1991	Bryson	
5,275,412	A	1/1994	Innes	
5,685,784	A	11/1997	Butler	
D394,689	S *	5/1998	Sheets	D21/743
D402,721	S *	12/1998	Gurrola	D21/742
D420,079	S	2/2000	Frazetta	
6,159,108	A	12/2000	De La Pena	
6,379,259	B1	4/2002	Opie	
D483,823	S *	12/2003	Swist	D21/736

D488,526	S	4/2004	Souza	
D498,276	S *	11/2004	Schweigert	D21/743
D500,109	S	12/2004	Solheim	
D500,110	S	12/2004	Solheim	
6,837,801	B1	1/2005	Souza	
6,878,071	B1	4/2005	Schweiger	
6,893,355	B2	5/2005	Souza	
6,902,496	B2	6/2005	Solheim	
D507,612	S	7/2005	Souza	

(Continued)

Primary Examiner — Mitchell Siegel

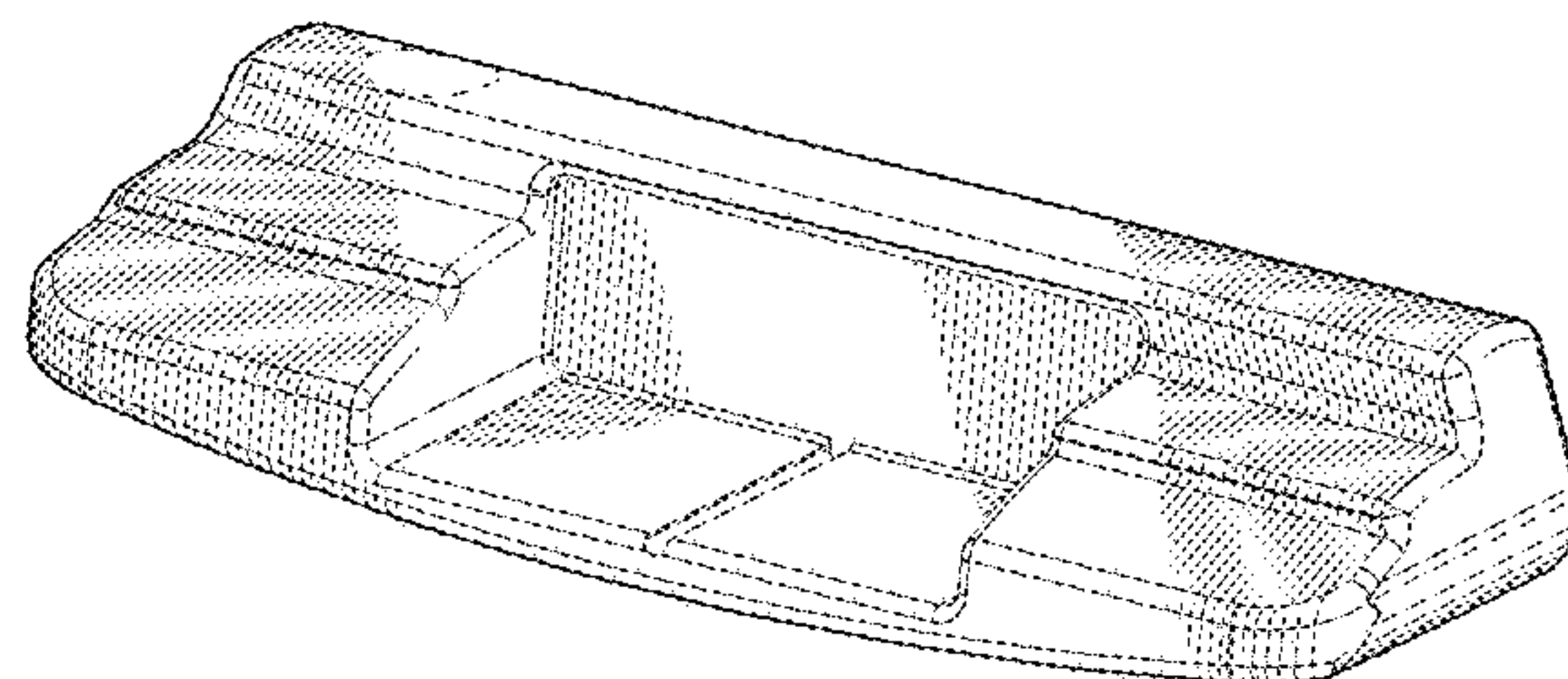
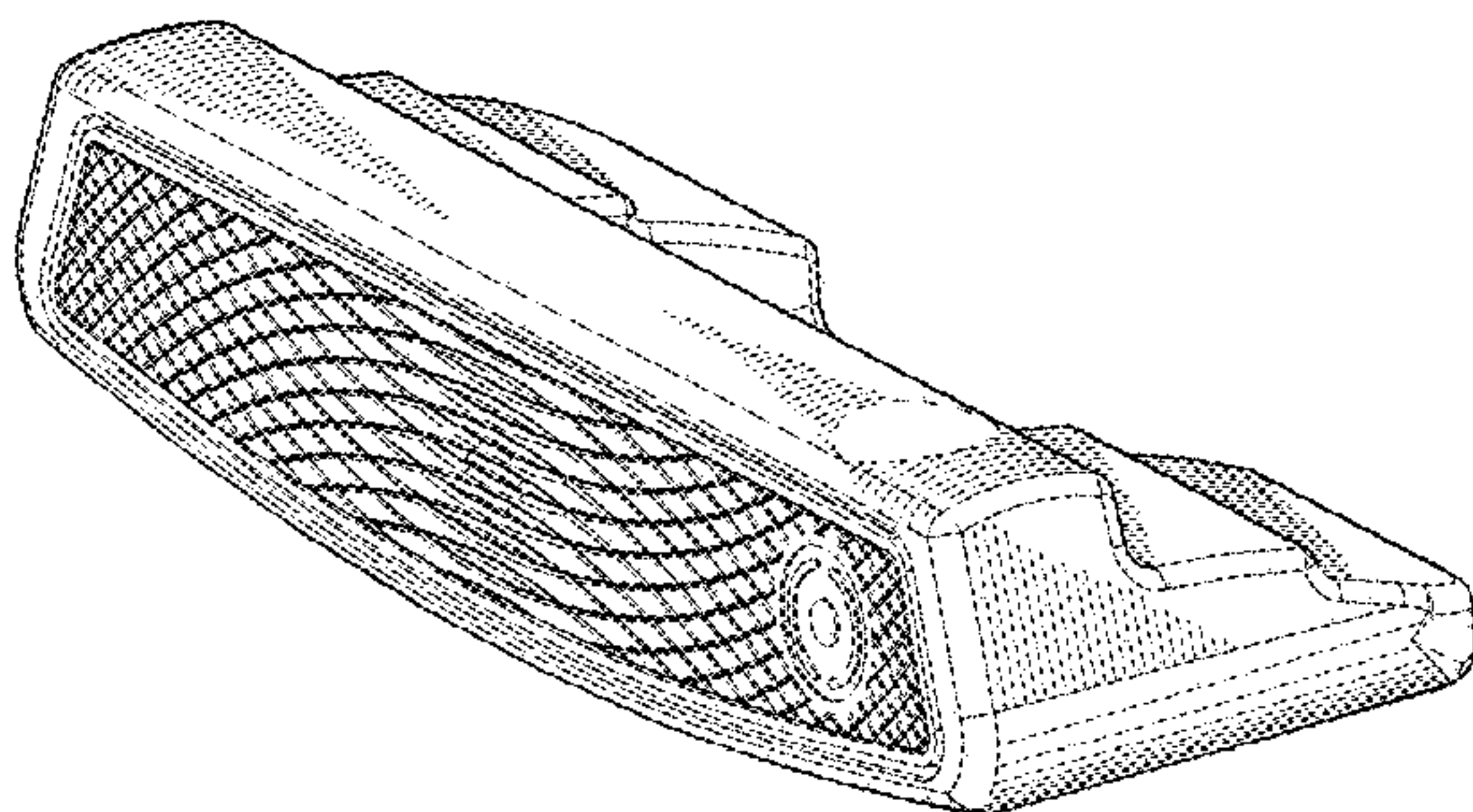
(57) **CLAIM**

The ornamental design for a golf club head, as shown and described.

DESCRIPTION

FIG. 1 is a front perspective view of a golf club head;
 FIG. 2 is a rear perspective view of the golf club head of FIG. 1;
 FIG. 3 is a front view of the golf club head of FIG. 1;
 FIG. 4 is a rear view of the golf club head of FIG. 1;
 FIG. 5 is a top view of the golf club head of FIG. 1;
 FIG. 6 is a bottom view of the golf club head of FIG. 1;
 FIG. 7 is a heel view of the golf club head of FIG. 1;
 FIG. 8 is a toe view of the golf club head of FIG. 1;
 FIG. 9 is a front perspective view of a second embodiment of the golf club head;
 FIG. 10 is a rear perspective view of the golf club head of FIG. 9;
 FIG. 11 is a front view of the golf club head of FIG. 9;
 FIG. 12 is a rear view of the golf club head of FIG. 9;
 FIG. 13 is a top view of the golf club head of FIG. 9;
 FIG. 14 is a bottom view of the golf club head of FIG. 9;
 FIG. 15 is a heel view of the golf club head of FIG. 9; and,
 FIG. 16 is a toe view of the golf club head of FIG. 9.
 The broken lines shown in one or more of the figures are for illustrative purposes only and form no part of the claimed design.

1 Claim, 6 Drawing Sheets



(56)

References Cited

U.S. PATENT DOCUMENTS

6,926,615 B1	8/2005	Souza			
6,960,140 B2	11/2005	Solheim			
6,966,845 B2	11/2005	Solheim			
D520,584 S	5/2006	Karlsen			
D521,582 S	5/2006	Souza			
7,052,411 B2	5/2006	Solheim			
D522,598 S	6/2006	Solheim			
7,077,758 B2	7/2006	Rohrer			
7,086,957 B2	8/2006	Solheim			
D527,777 S	9/2006	Solheim			
D529,108 S	9/2006	Stites			
D531,241 S *	10/2006	Hueber	D21/742	
D532,847 S	11/2006	Rollinson			
D533,243 S	12/2006	Fife			
D535,712 S *	1/2007	Toroussian	D21/749	
7,235,021 B2	6/2007	Solheim			
D548,295 S	8/2007	Jertson			
7,255,650 B2	8/2007	Bryant			
D552,197 S	10/2007	Wells			
D565,137 S	3/2008	Oldknow			
D569,462 S	5/2008	Rollinson			
7,371,185 B1	5/2008	Rohrer			
D581,473 S	11/2008	Thomas			
D583,003 S	12/2008	Solheim			
D587,325 S	2/2009	Solheim			
D595,372 S	6/2009	Rollinson			
D599,423 S *	9/2009	Serrano	D21/736	
D600,760 S	9/2009	Serrano			
D600,761 S	9/2009	Soheim			
D600,762 S	9/2009	Serrano			
7,601,076 B2	10/2009	Rollinson			
D607,950 S	1/2010	Souza			
D621,458 S	8/2010	Serrano			
D621,460 S	8/2010	Serrano			
D621,461 S	8/2010	Serrano			
D621,462 S	8/2010	Serrano			
D621,891 S	8/2010	Serrano			
7,803,066 B2	9/2010	Solheim			
7,815,515 B1	10/2010	Hunt			
D638,891 S	5/2011	Nicolette			
D638,892 S *	5/2011	Hettinger	D21/743	
D640,341 S	6/2011	Foster et al.			
D643,080 S	8/2011	Serrano			
D643,485 S	8/2011	Nicolette			
D643,486 S	8/2011	Serrano			
D643,487 S	8/2011	Serrano			
D650,456 S *	12/2011	Tang	D21/743	
8,100,779 B2	1/2012	Solheim			
D653,718 S	2/2012	Stokke			
8,109,838 B2	2/2012	Solheim			
8,128,505 B2	3/2012	Tryner et al.			
D664,617 S	7/2012	Serrano			
D688,339 S *	8/2013	Hilton	D21/736	
D689,574 S *	9/2013	Rollinson	D21/743	
D702,782 S *	4/2014	Wempe	D21/743	
9,033,812 B2 *	5/2015	Solheim	A63B 53/007 473/238	
D784,468 S *	4/2017	Rollinson	D21/743	
2005/0170904 A1	8/2005	Smeeth			
2006/0094533 A1	5/2006	Warren			
2006/0166755 A1	7/2006	Brown			
2007/0191135 A1	8/2007	Nilsson			
2008/0096686 A1	4/2008	Bilkhu			
2009/0270198 A1	10/2009	Solheim et al.			
2009/0305806 A1	12/2009	Campadore et al.			
2009/0305807 A1	12/2009	Solheim et al.			
2010/0227704 A1	9/2010	Souza			
2012/0115628 A1	5/2012	Woods			

* cited by examiner

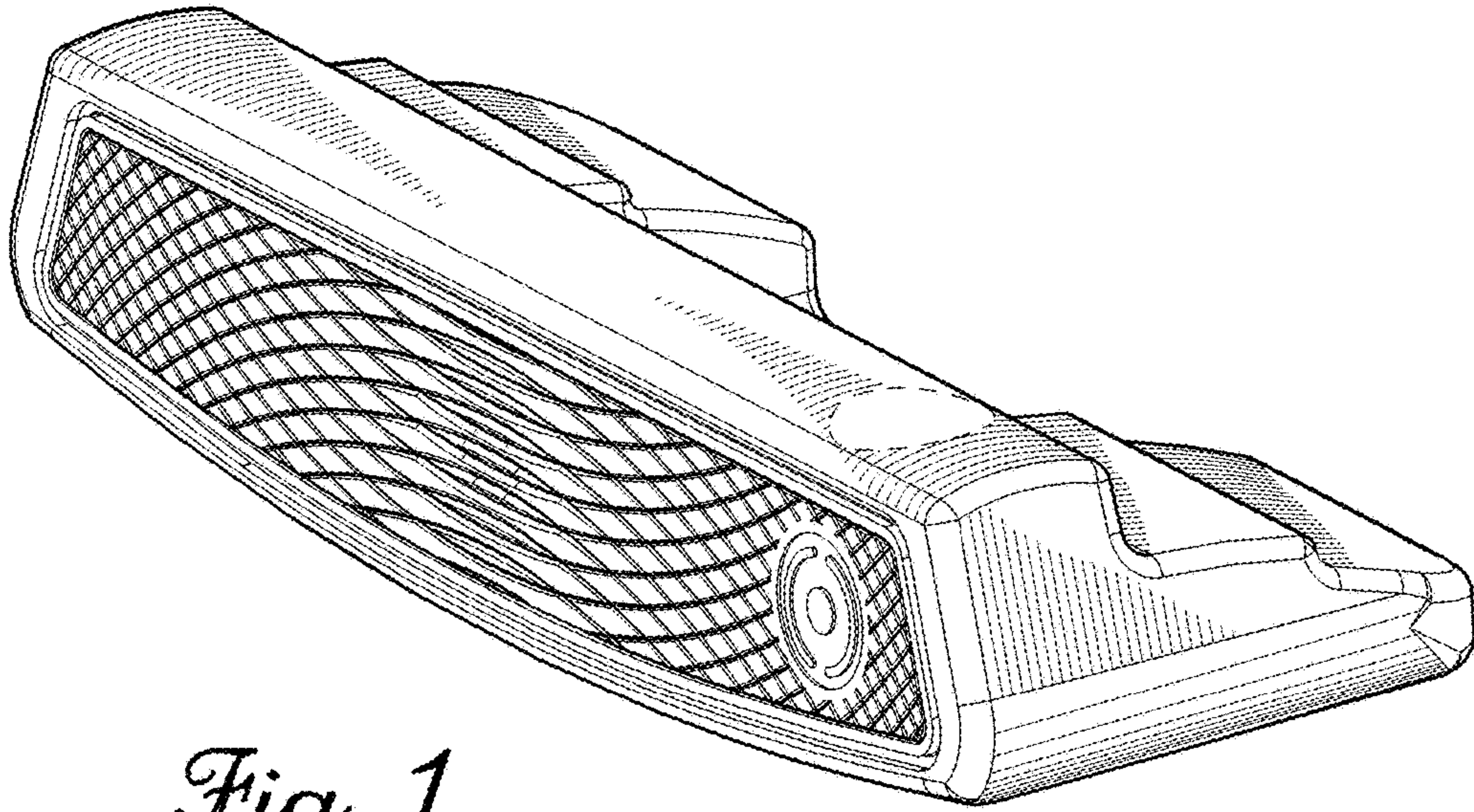


Fig. 1

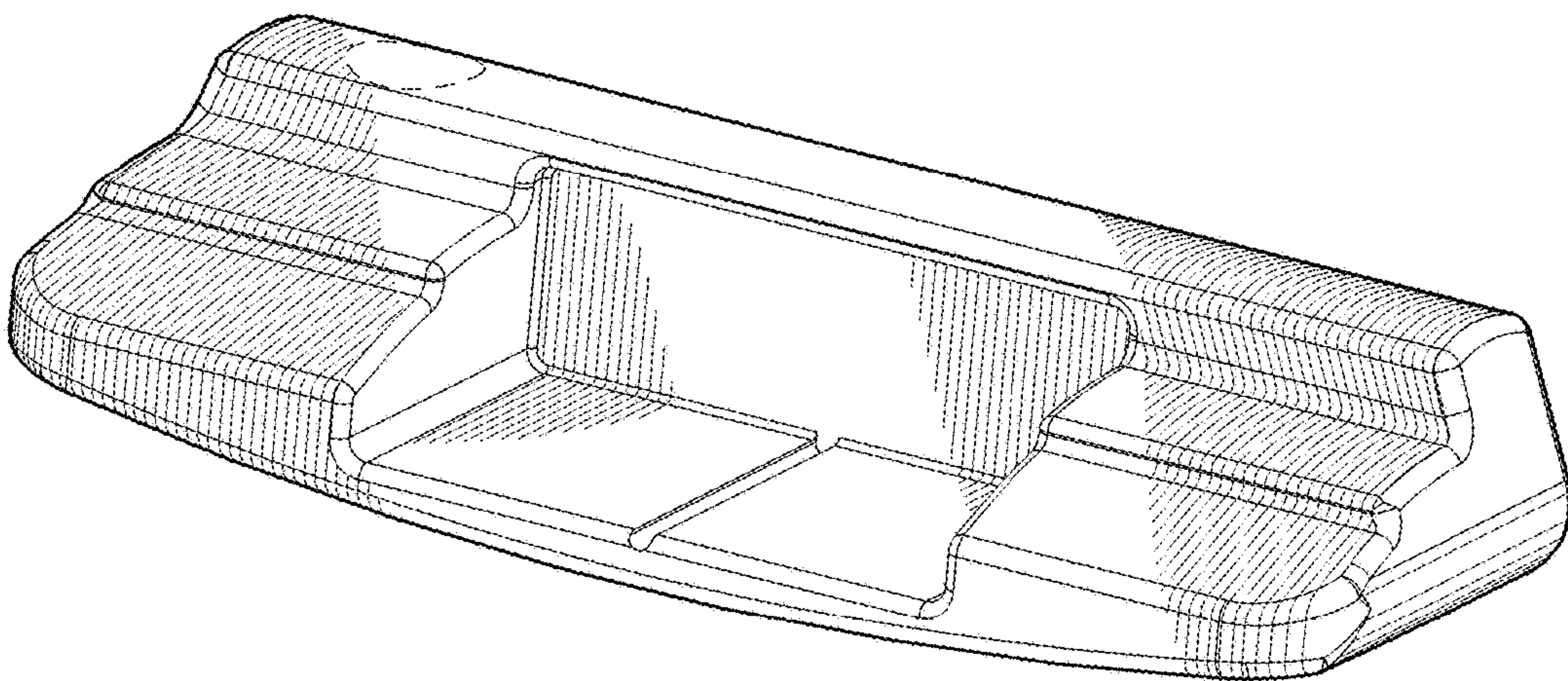


Fig. 2

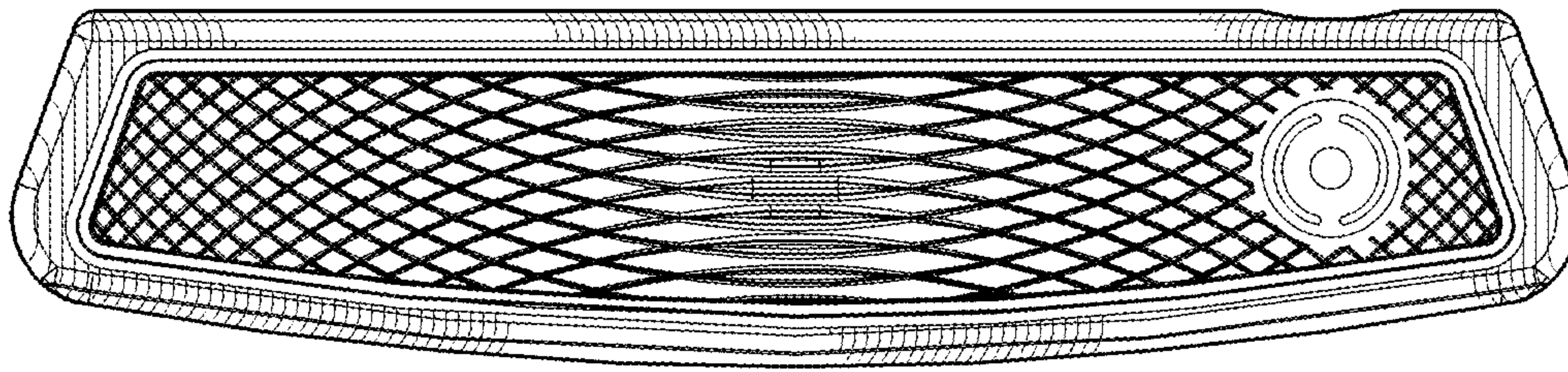


Fig. 3

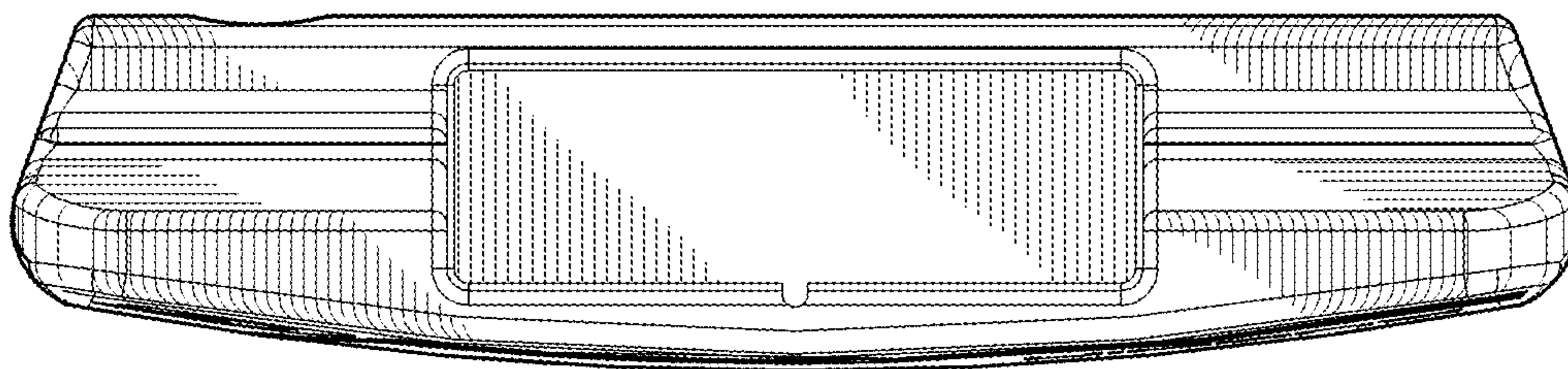


Fig. 4

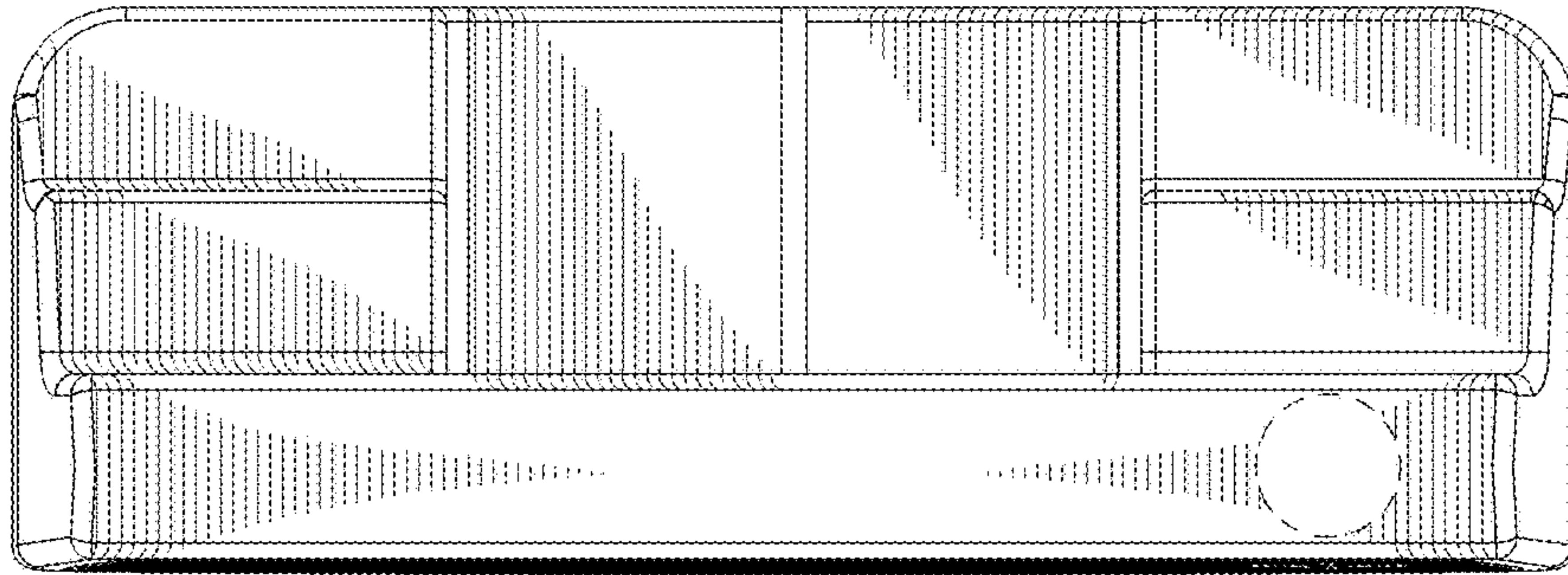


Fig. 5

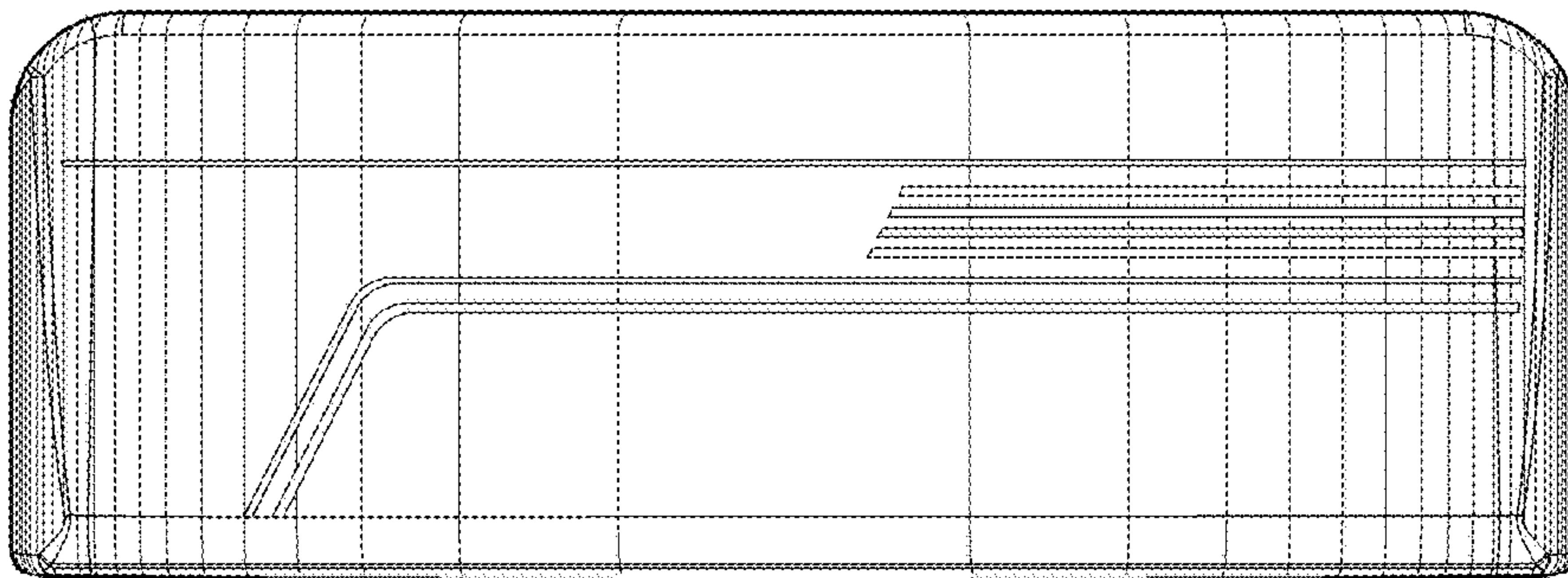


Fig. 6

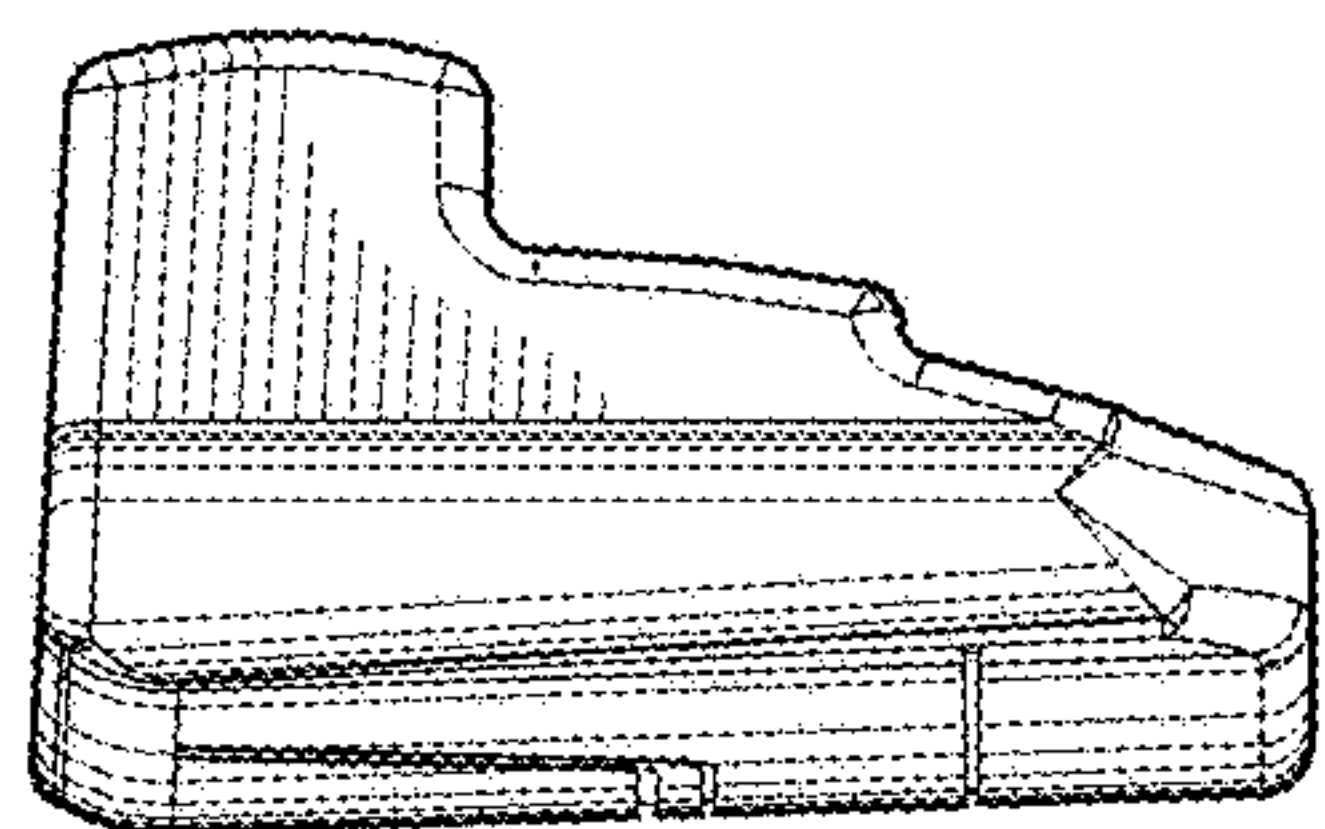


Fig. 7

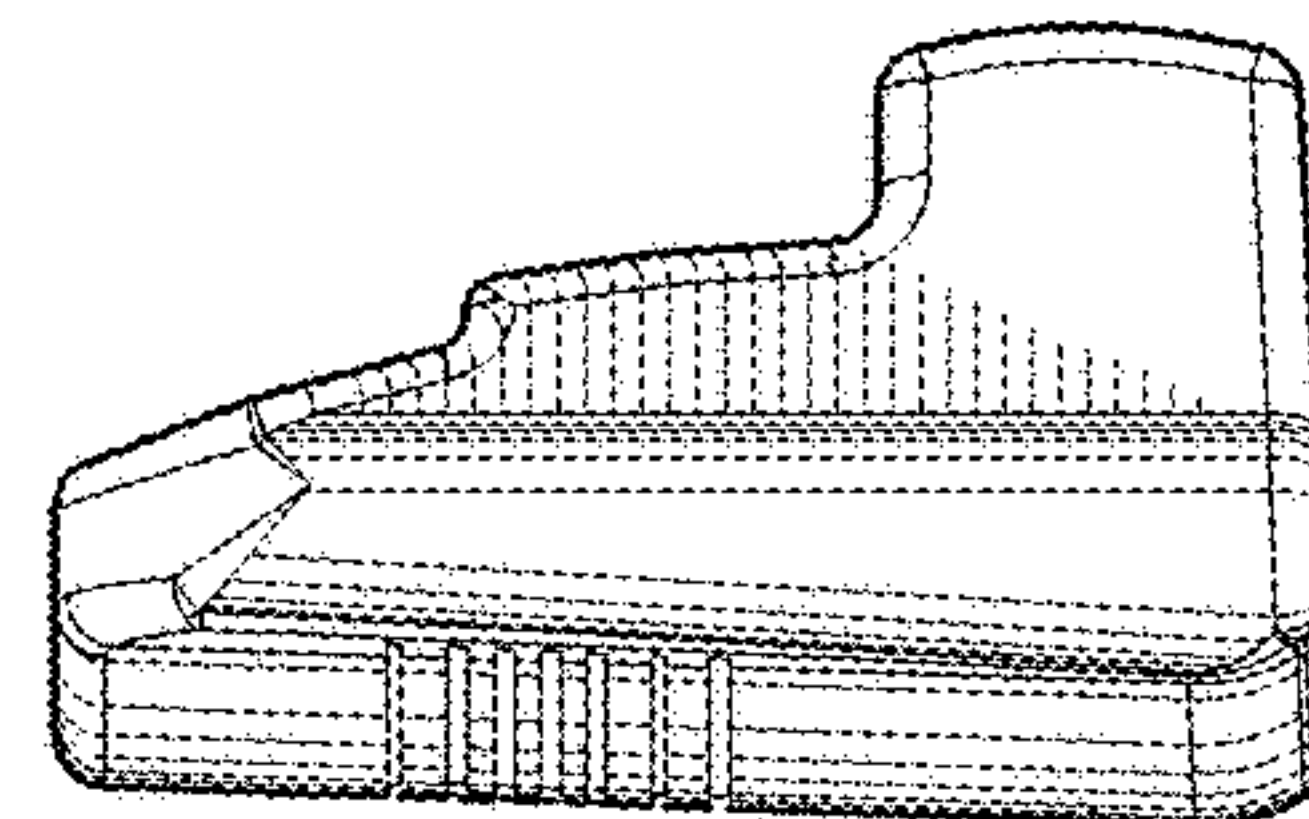


Fig. 8

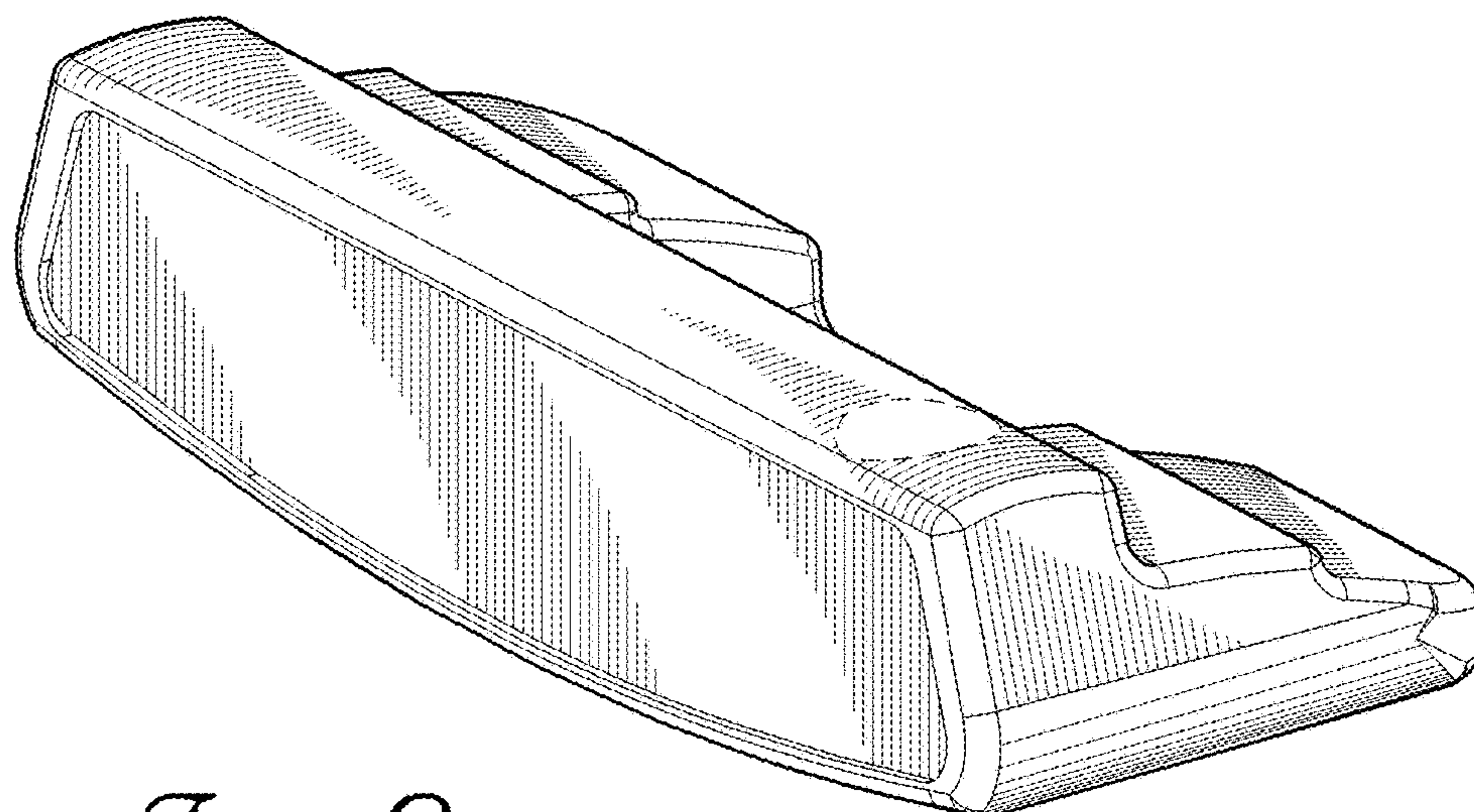


Fig. 9

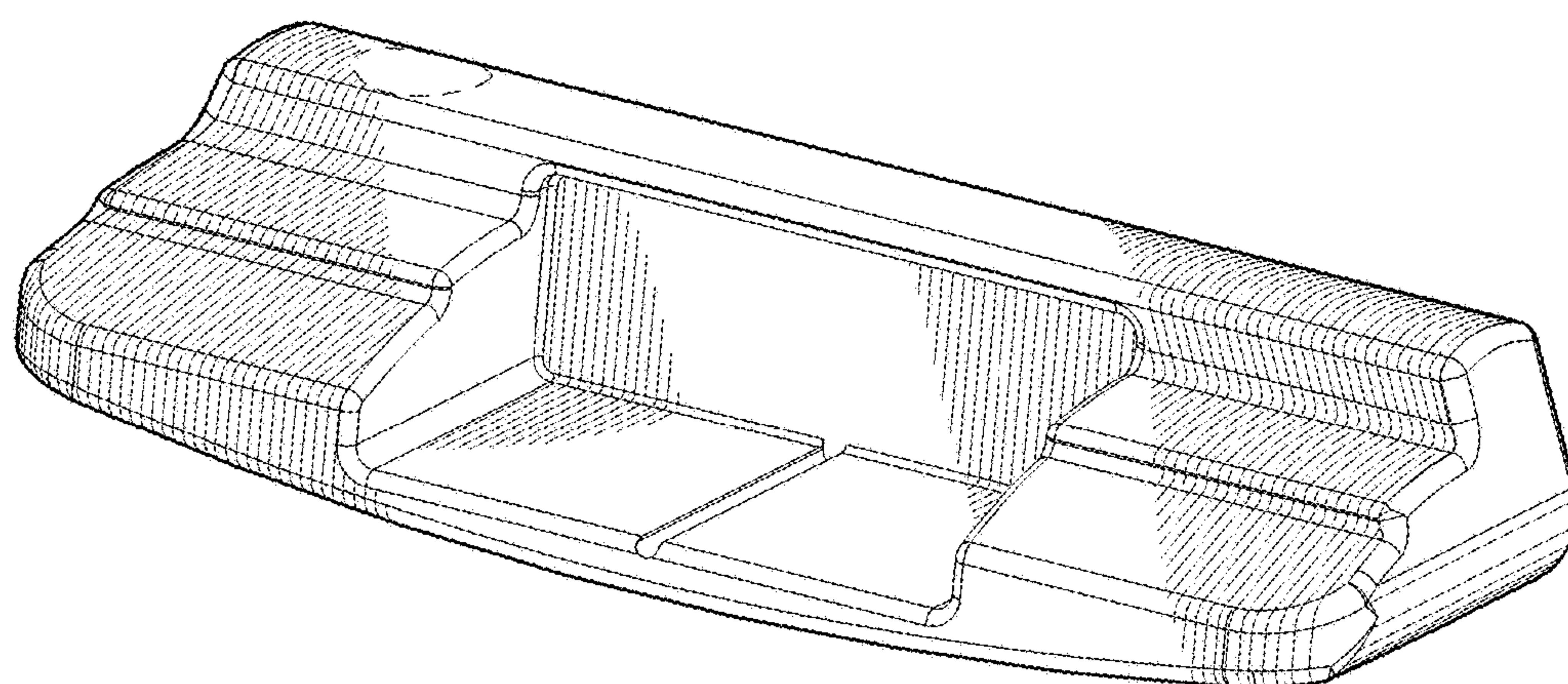


Fig. 10

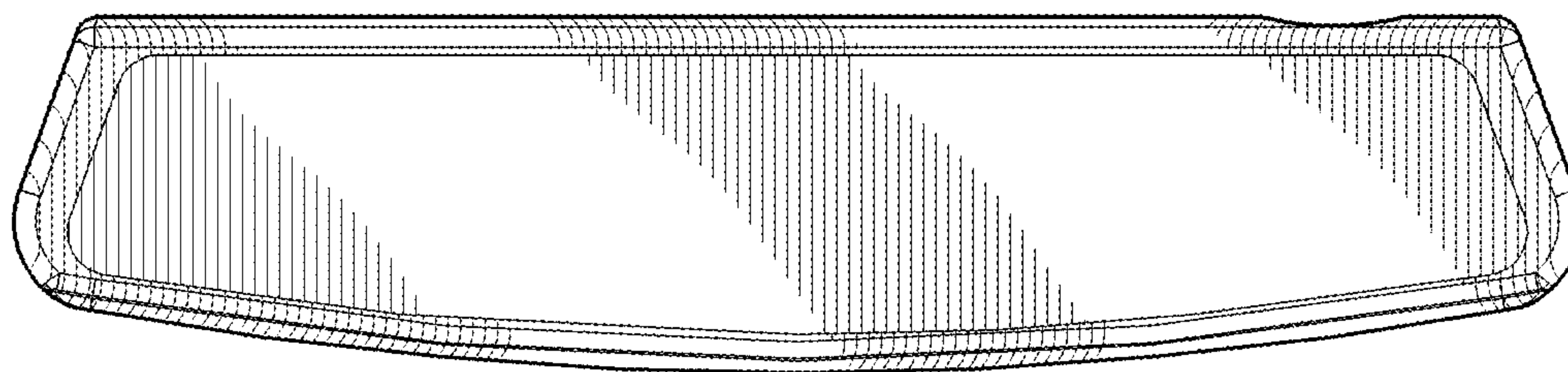


Fig. 11

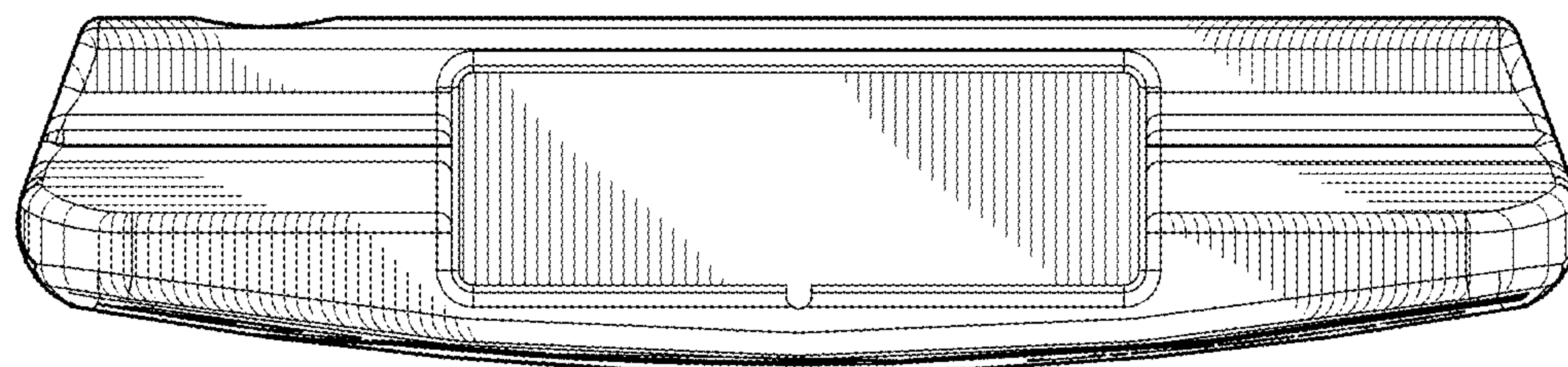


Fig. 12

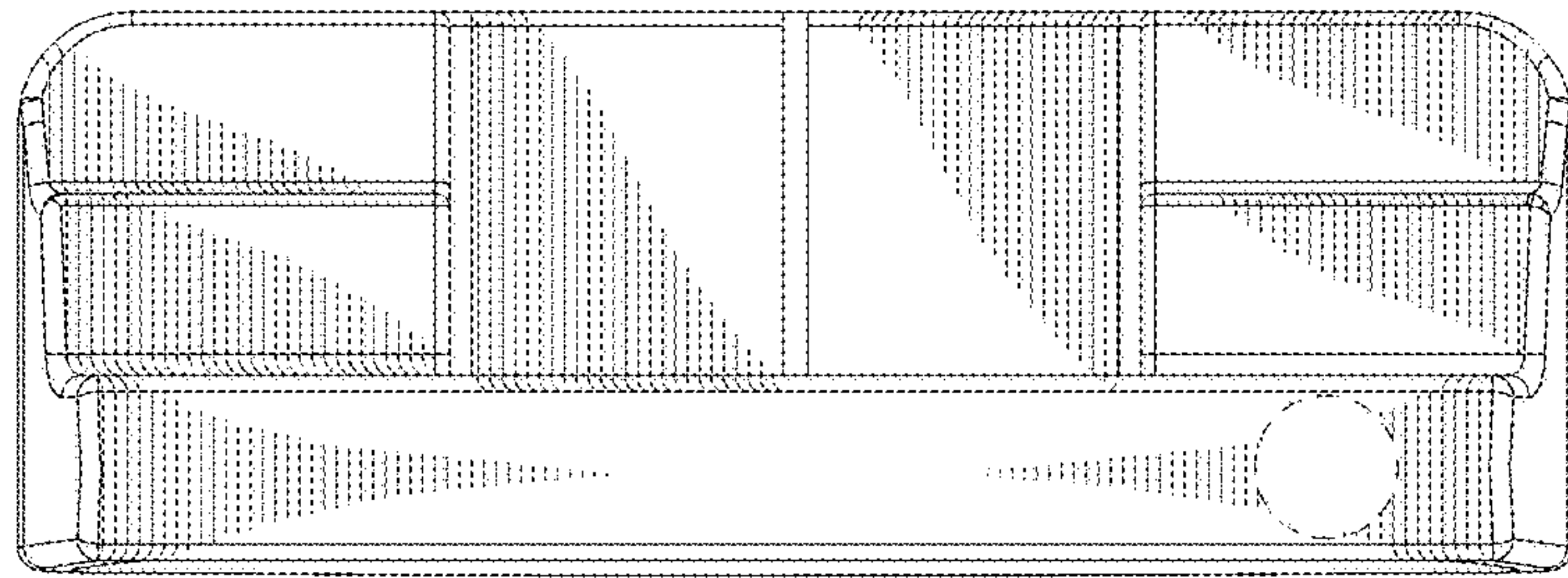


Fig. 13

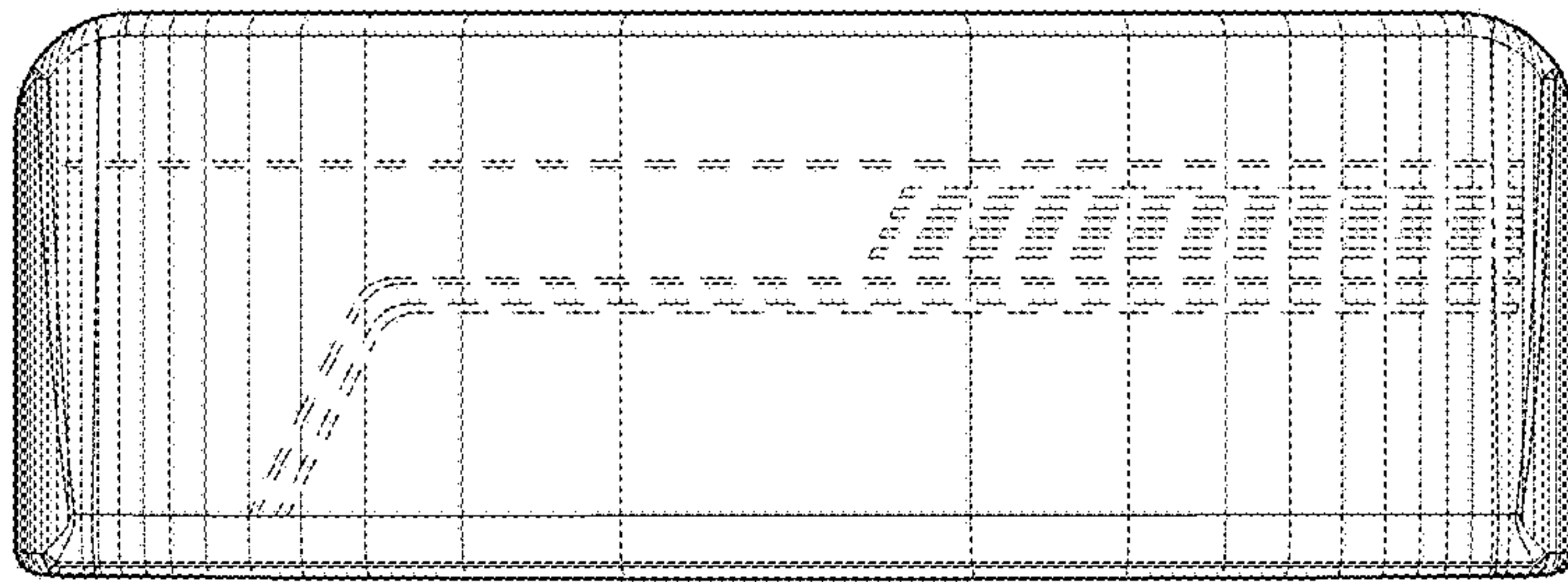


Fig. 14

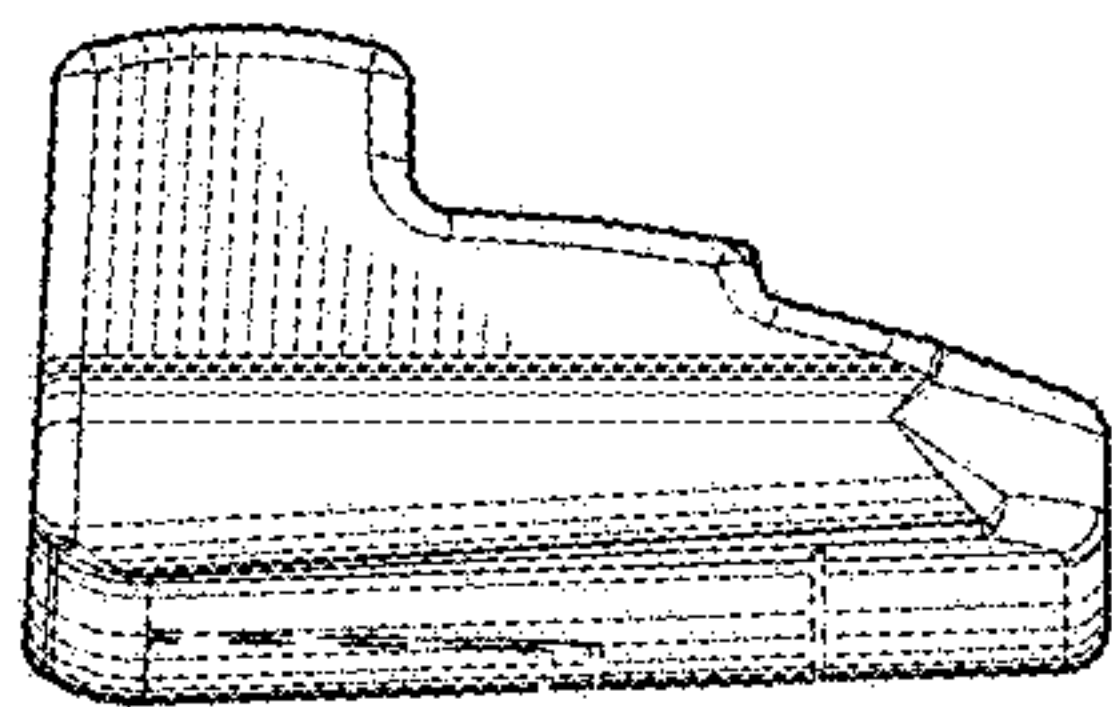


Fig. 15

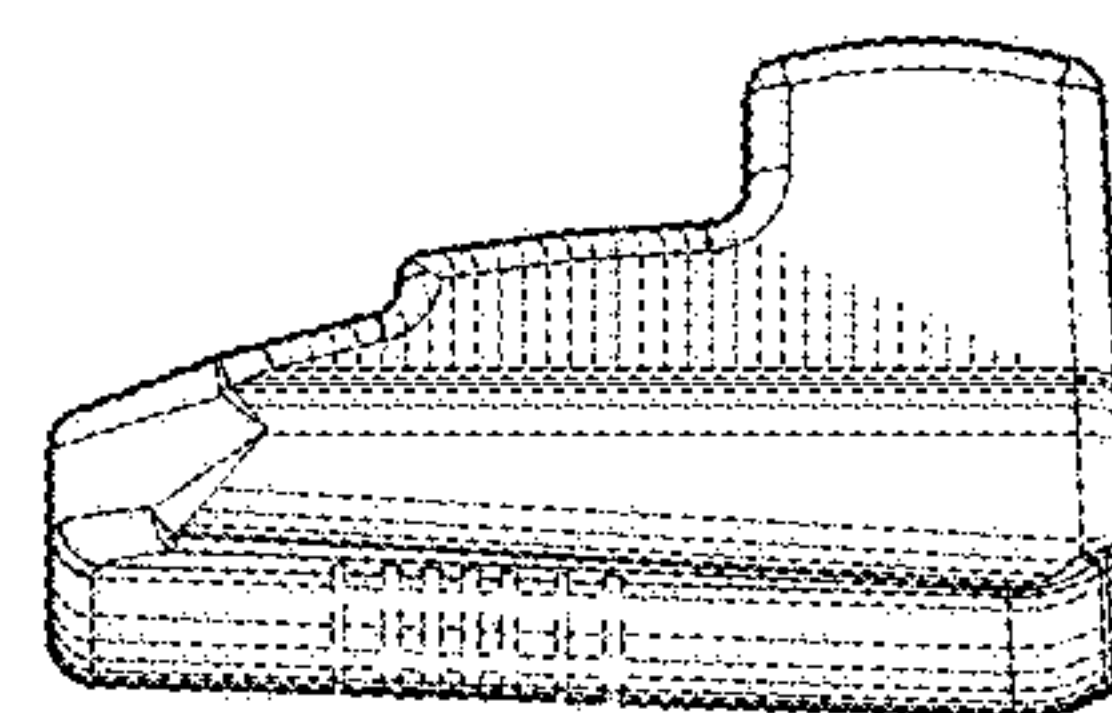


Fig. 16