



US00D797217S

(12) **United States Design Patent**
Gilbert

(10) **Patent No.:** **US D797,217 S**
(45) **Date of Patent:** **** Sep. 12, 2017**

- (54) **FITNESS WEIGHT DESTABILIZER**
- (71) Applicant: **Herman Gilbert**, Hammond, WI (US)
- (72) Inventor: **Herman Gilbert**, Hammond, WI (US)
- (**) Term: **15 Years**
- (21) Appl. No.: **29/590,261**
- (22) Filed: **Jan. 9, 2017**

Related U.S. Application Data

- (62) Division of application No. 29/558,793, filed on Mar. 22, 2016, now Pat. No. Des. 776,209, and a division of application No. 29/510,259, filed on Nov. 26, 2014, now Pat. No. Des. 754,804.

- (51) **LOC (10) Cl.** **21-02**
- (52) **U.S. Cl.**
USPC **D21/681**

- (58) **Field of Classification Search**
USPC D21/680, 682, 681, 678, 662, 679, 684, D21/686, 801, 694; 173/102, 103, 118, 173/126, 133; 482/108, 93, 110, 111, 482/105, 8, 107, 106, 139, 94, 104, 140, 482/109, 51, 70, 74, 98, 1, 121, 55; D9/680, 629, 456; D8/85, 45, 107, 90, D8/317, 387, 397, 343, 31, 75, 14; D11/81, 91, 56, 80, 7, 52, 14, 201; D12/215
CPC A63B 21/4035; A63B 21/0552; A63B 23/0211; A63B 21/0728; A63B 21/075; A63B 21/072
See application file for complete search history.

(56) **References Cited**

U.S. PATENT DOCUMENTS

- 2,812,683 A * 11/1957 Harrold A63B 15/00 446/266
- 3,384,370 A * 5/1968 Bailey A63B 21/0724 482/106

- 4,018,442 A * 4/1977 Galler A63B 21/0724 482/106
- D261,788 S * 11/1981 Burns D21/682
- 4,461,473 A * 7/1984 Cole A63B 21/0004 482/106
- 4,618,143 A * 10/1986 Twardosz A63B 21/0724 482/106
- 4,629,184 A * 12/1986 Selkee A63B 21/0724 482/106
- 4,690,400 A * 9/1987 Metz A63B 21/015 482/106

(Continued)

Primary Examiner — Robert M Spear

Assistant Examiner — Ryan Harvey

(74) *Attorney, Agent, or Firm* — Skinner and Associates; Joel Skinner

(57) **CLAIM**

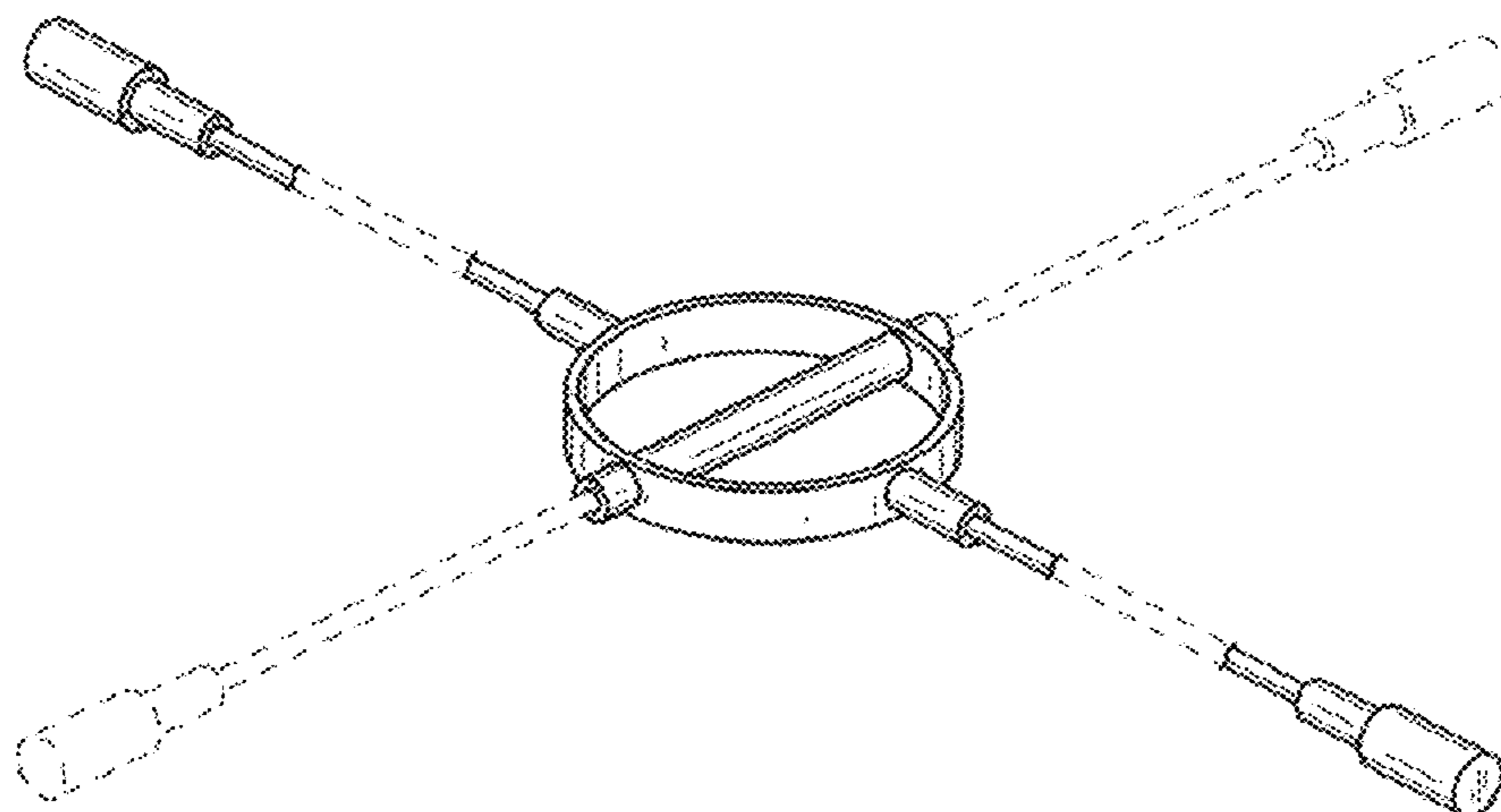
the ornamental design for a fitness weight destabilizer, as shown and described.

DESCRIPTION

FIG. 1 is a perspective view;
FIG. 2 is a right end view thereof;
FIG. 3 is a front view thereof, the rear view being a mirror image thereof; and,
FIG. 4 is a top view thereof, the bottom view being a mirror image thereof.

The broken line showing of portions of the fitness weight destabilizer depicts environment and forms no part of the claim. The claimed design is shown with a symbolic break in its length. The appearance of any portion of the article between the break lines forms no part of the claimed design. The design is for a fitness weight destabilizer, which is used to destabilize weights and weights sets, such as olympic bar weights, bar bell weights, dumbbell weights, and the like, during exercise.

1 Claim, 3 Drawing Sheets



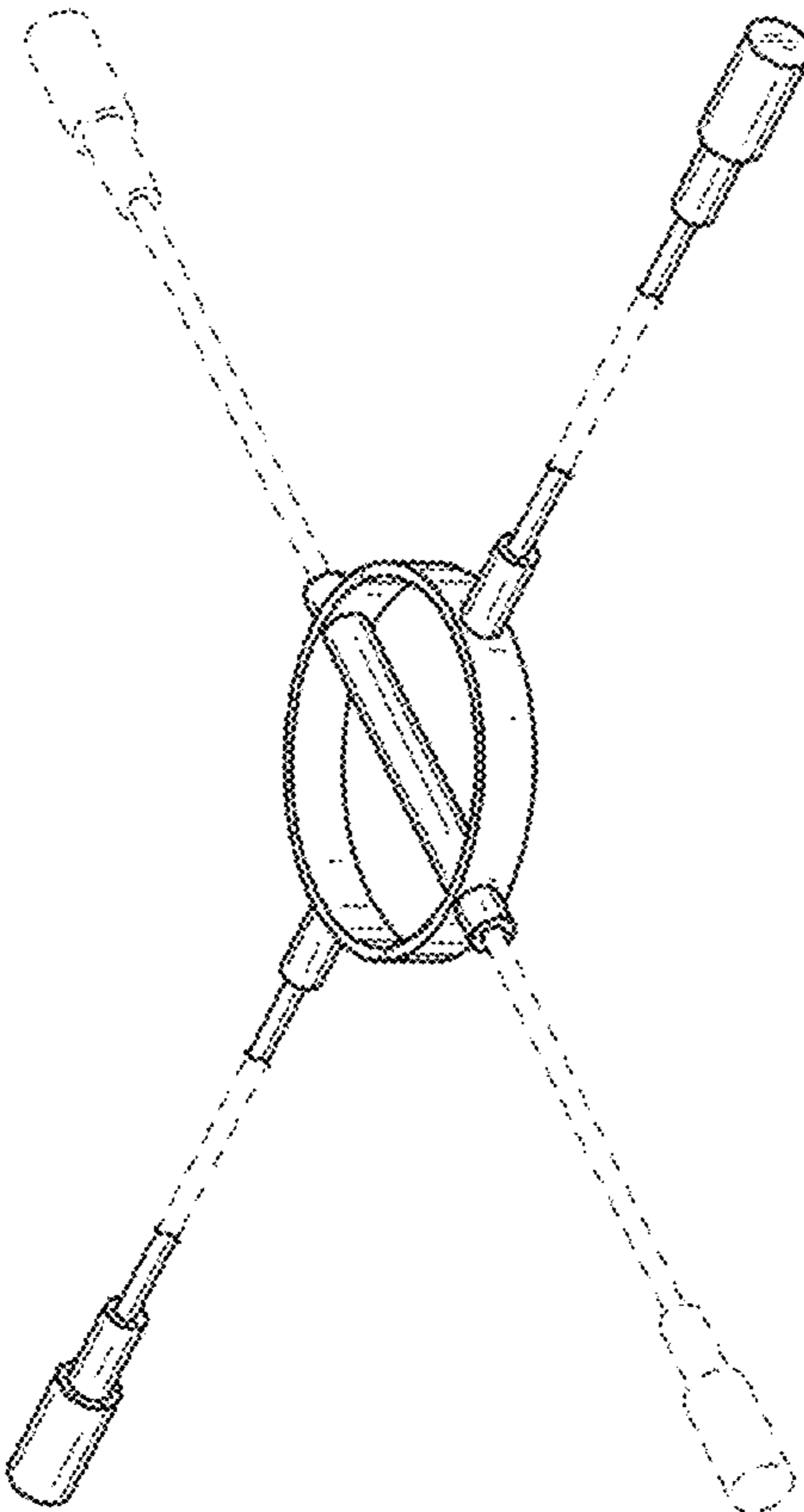


FIG. 1



FIG. 2



FIG. 3

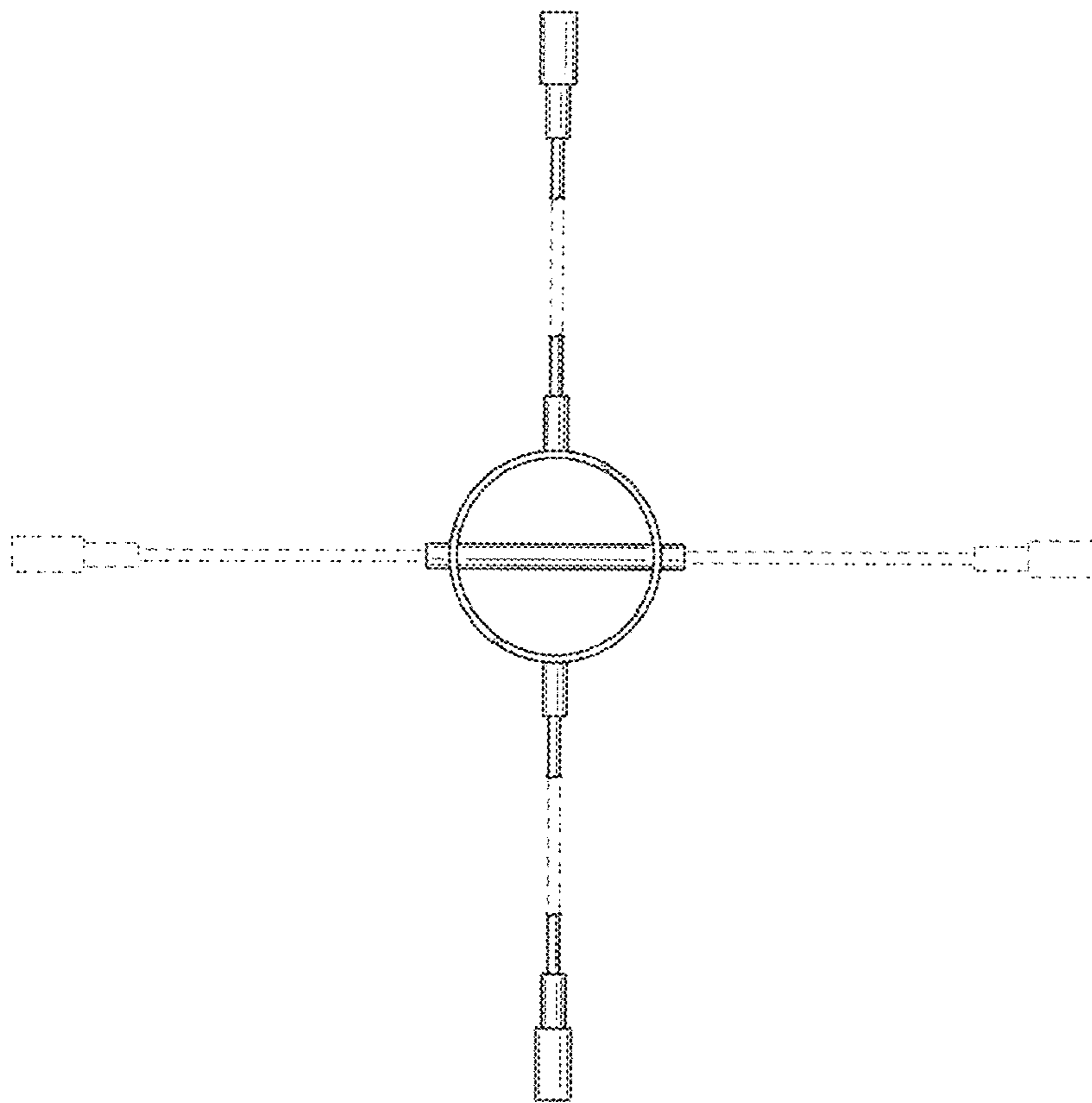


FIG. 4