



US00D797216S

(12) **United States Design Patent**
Jacobs

(10) **Patent No.:** **US D797,216 S**

(45) **Date of Patent:** **** Sep. 12, 2017**

(54) **TREADMILL FOR USE WITH A DESK**

(71) Applicant: **Ushaka, LLC**, Los Angeles, CA (US)

(72) Inventor: **Robert Marc Jacobs**, Los Angeles, CA (US)

(**) Term: **15 Years**

(21) Appl. No.: **29/541,617**

(22) Filed: **Oct. 6, 2015**

(51) **LOC (10) Cl.** **21-02**

(52) **U.S. Cl.**

USPC **D21/669**

(58) **Field of Classification Search**

USPC 482/54, 140, 142, 123, 121, 122, 129, 482/130, 96, 52, 57, 907, 126, 131, 145, 482/144, 112, 134, 26, 27, 77, 125, 132, 482/92, 95, 91, 128, 68, 141; D21/687, D21/686, 669, 673, 690, 691, 694, 676, D21/674, 670, 663, 662, 423, 695, 688; D24/183, 188; 297/175, 445.1, 423.38; 601/24, 49; 606/240, 244, 242; 5/613, 5/618, 624; 473/197, 422; 280/47.371, 280/79.6; D14/447

CPC . A63B 22/02; A63B 22/0023; A63B 22/0235; A63B 2210/50; A63B 21/4029; A63B 22/0285; A63B 22/0242; A63B 2225/30; A63B 21/078; A61H 2203/0493; A61H 1/0292; A61H 2201/1284; A61H 1/0222

See application file for complete search history.

(56) **References Cited**

U.S. PATENT DOCUMENTS

D232,446 S * 8/1974 Townsend D21/669
D280,002 S * 8/1985 Smith D21/669
D303,556 S * 9/1989 Trulaske D21/669
D325,951 S * 5/1992 Johnson D21/669
D333,330 S * 2/1993 Clem D21/669

D342,107 S * 12/1993 Chang D21/669
D464,690 S * 10/2002 San-Ching D21/669
6,830,540 B2 * 12/2004 Watterson A63B 22/0023
482/51
7,780,578 B2 * 8/2010 Packham A63B 22/02
482/4
D683,802 S * 6/2013 Lee D21/669

(Continued)

OTHER PUBLICATIONS

Walk-1 by UnSit dated no date given. Found online [Oct. 6, 2016]
<http://www.unsit.com/shop/>*

(Continued)

Primary Examiner — Robert M Spear

Assistant Examiner — Ryan Harvey

(74) *Attorney, Agent, or Firm* — Fox Law Group, LLC;
Bradley Fox

(57) **CLAIM**

I claim the ornamental design for a treadmill for use with a desk, as shown and described.

DESCRIPTION

FIG. 1 is a perspective view of a treadmill for use with a desk of the present design;

FIG. 2 is a top view of the treadmill for use with a desk of FIG. 1;

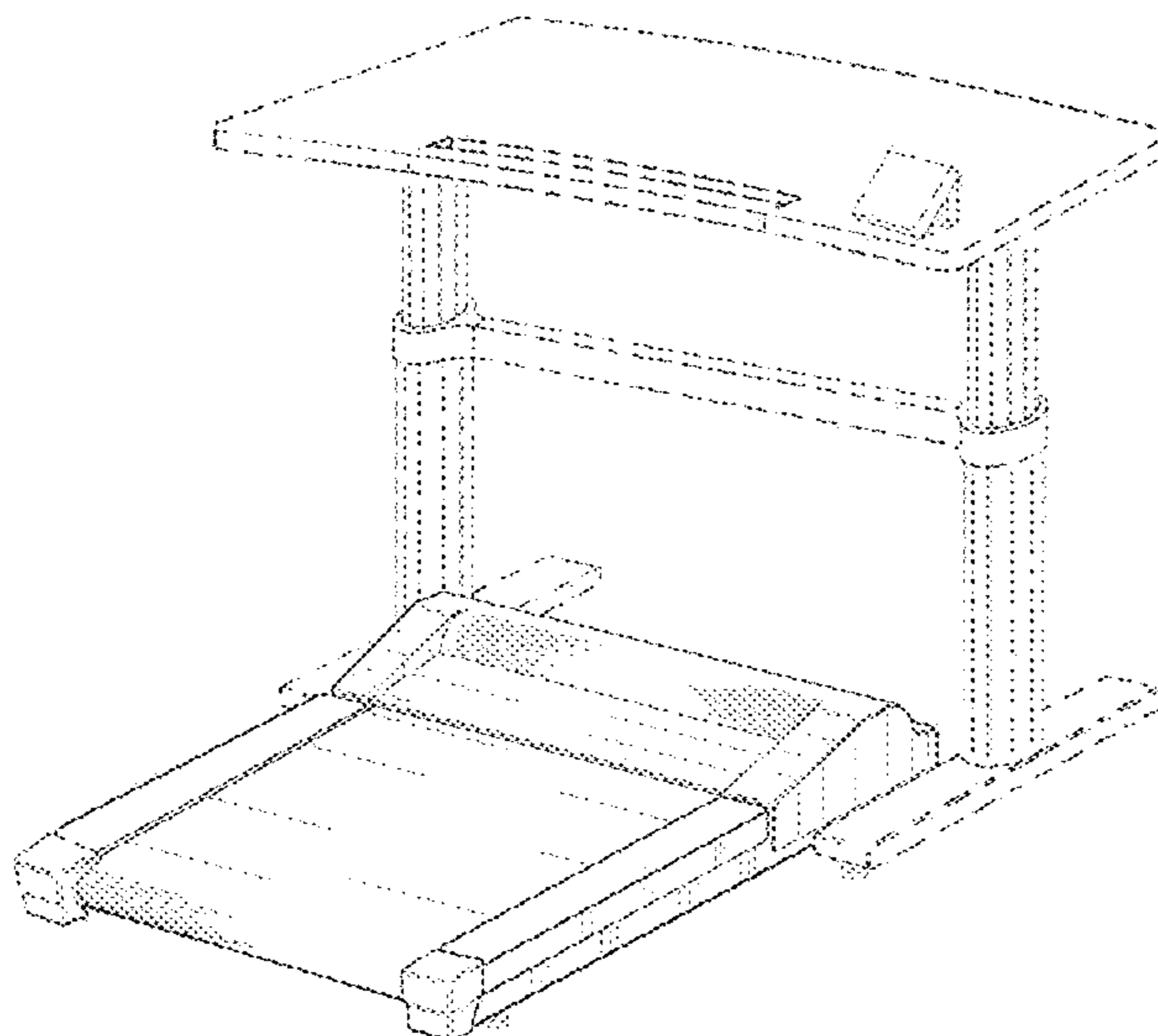
FIG. 3 is a top view of the treadmill for use with a desk of FIG. 1 without environmental elements for clarity of disclosure;

FIG. 4 is a front view of the treadmill for use with a desk of FIG. 1; and,

FIG. 5 is a rear view of the treadmill for use with a desk of FIG. 1.

The broken (dashed) lines shown in FIGS. 1 through 5 are included only for the purpose of illustrating environmental elements, and form no part of the claimed design.

1 Claim, 5 Drawing Sheets



(56)

References Cited

U.S. PATENT DOCUMENTS

D691,223 S * 10/2013 Hao D21/694
D707,763 S * 6/2014 Cutler D21/669

OTHER PUBLICATIONS

Walk-1 by UnSit dated no date given. Found online [Oct. 6, 2016]
<http://www.unsit.com/>.*

* cited by examiner

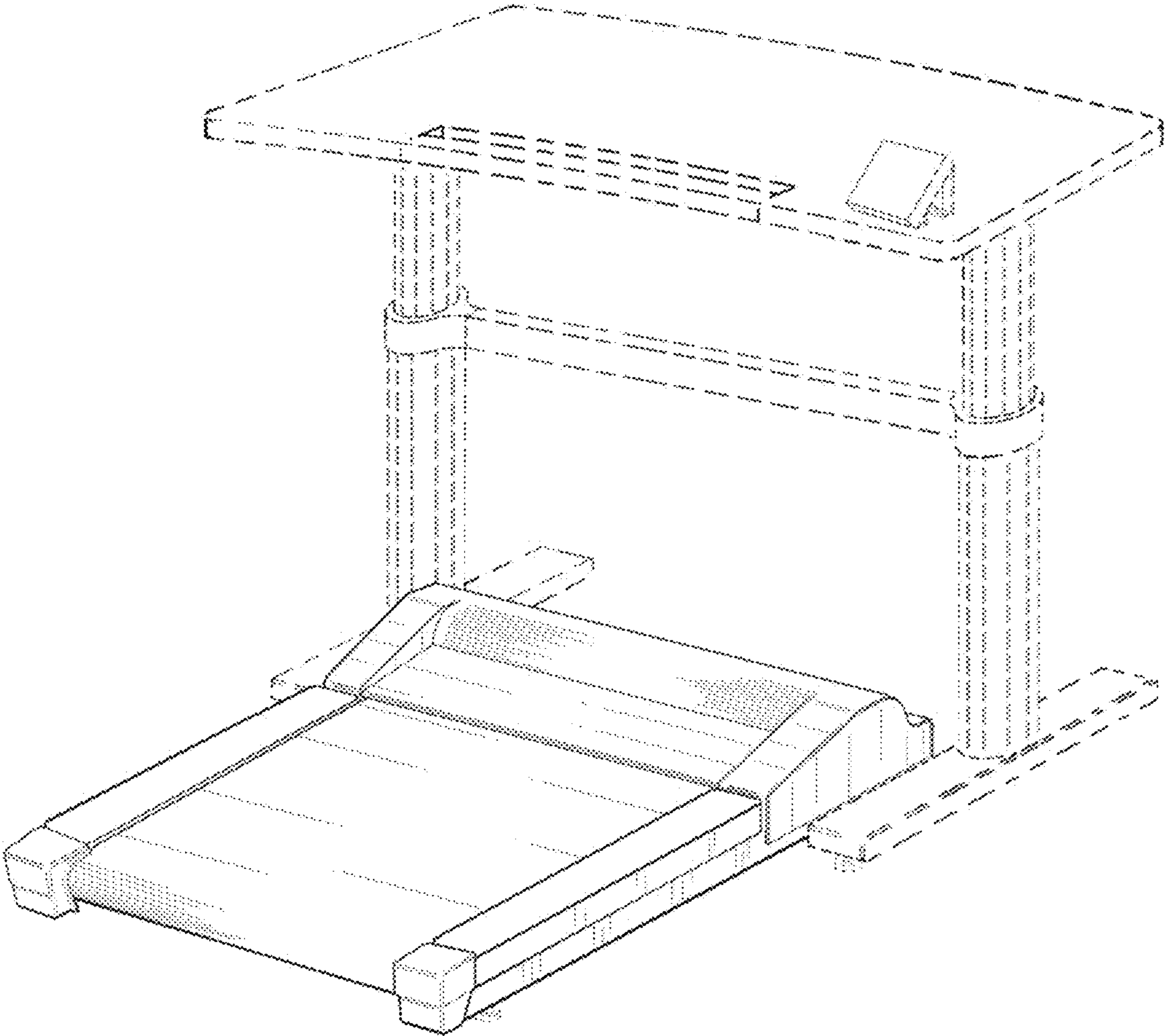


Fig. 1

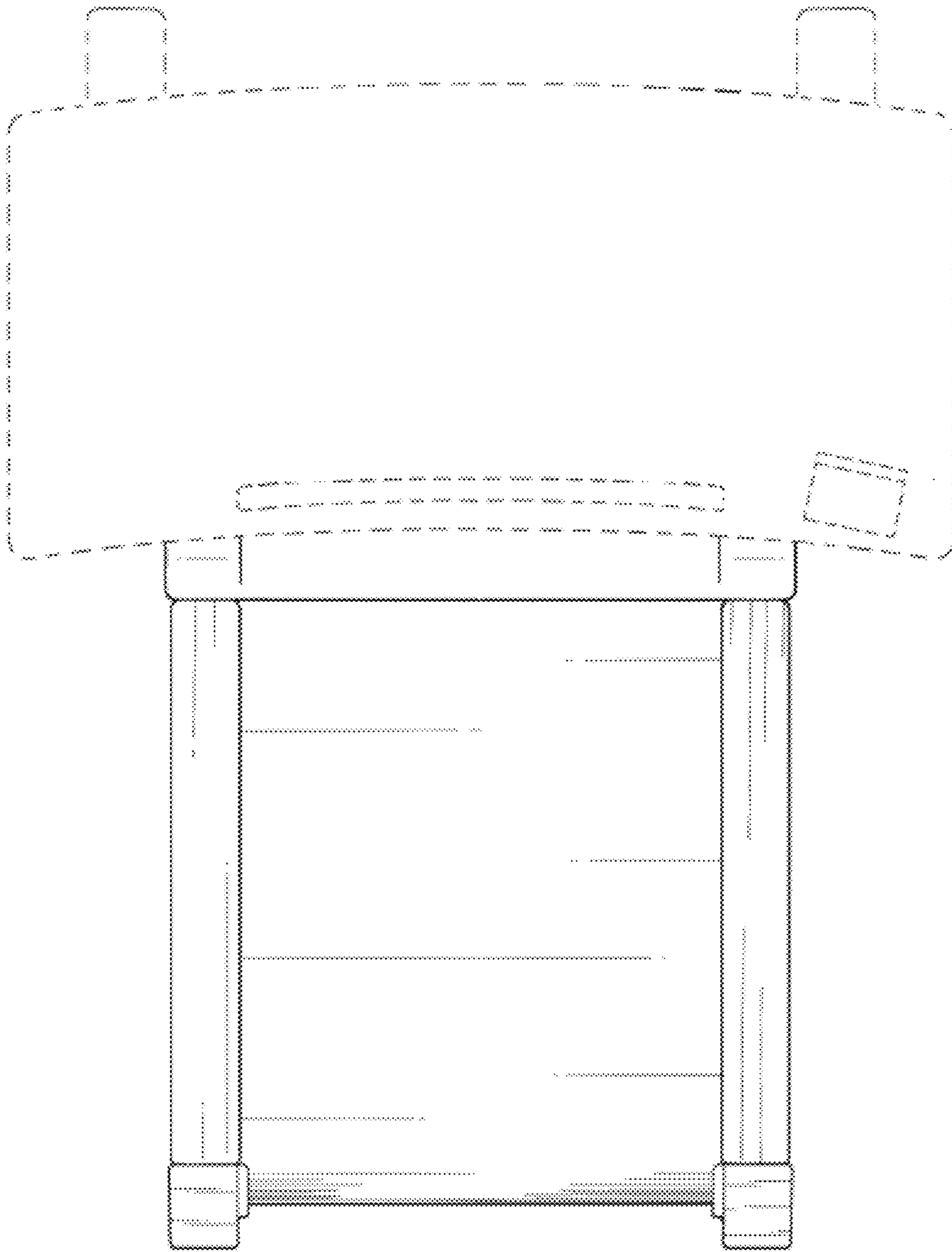


Fig. 2

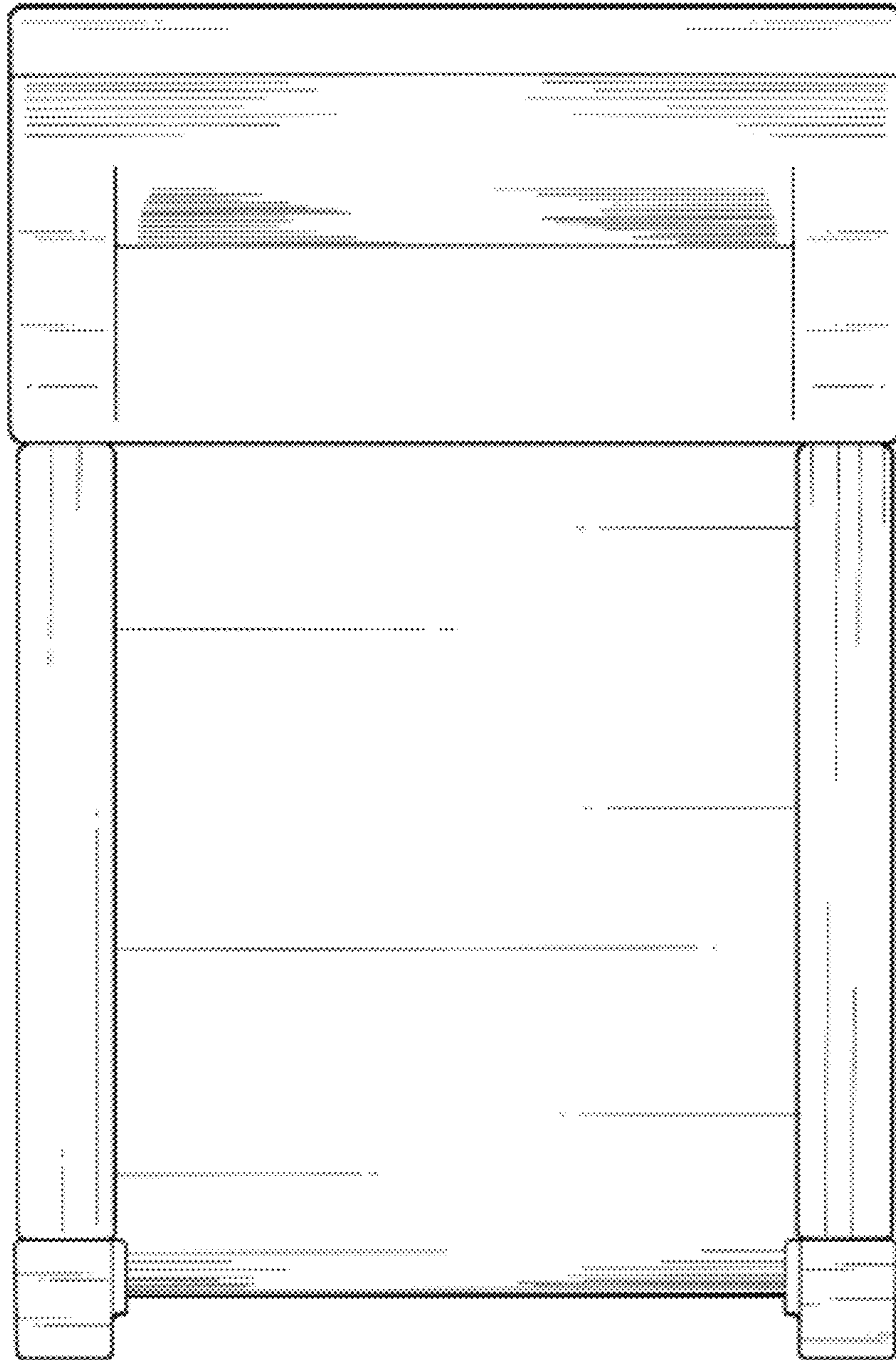


Fig. 3

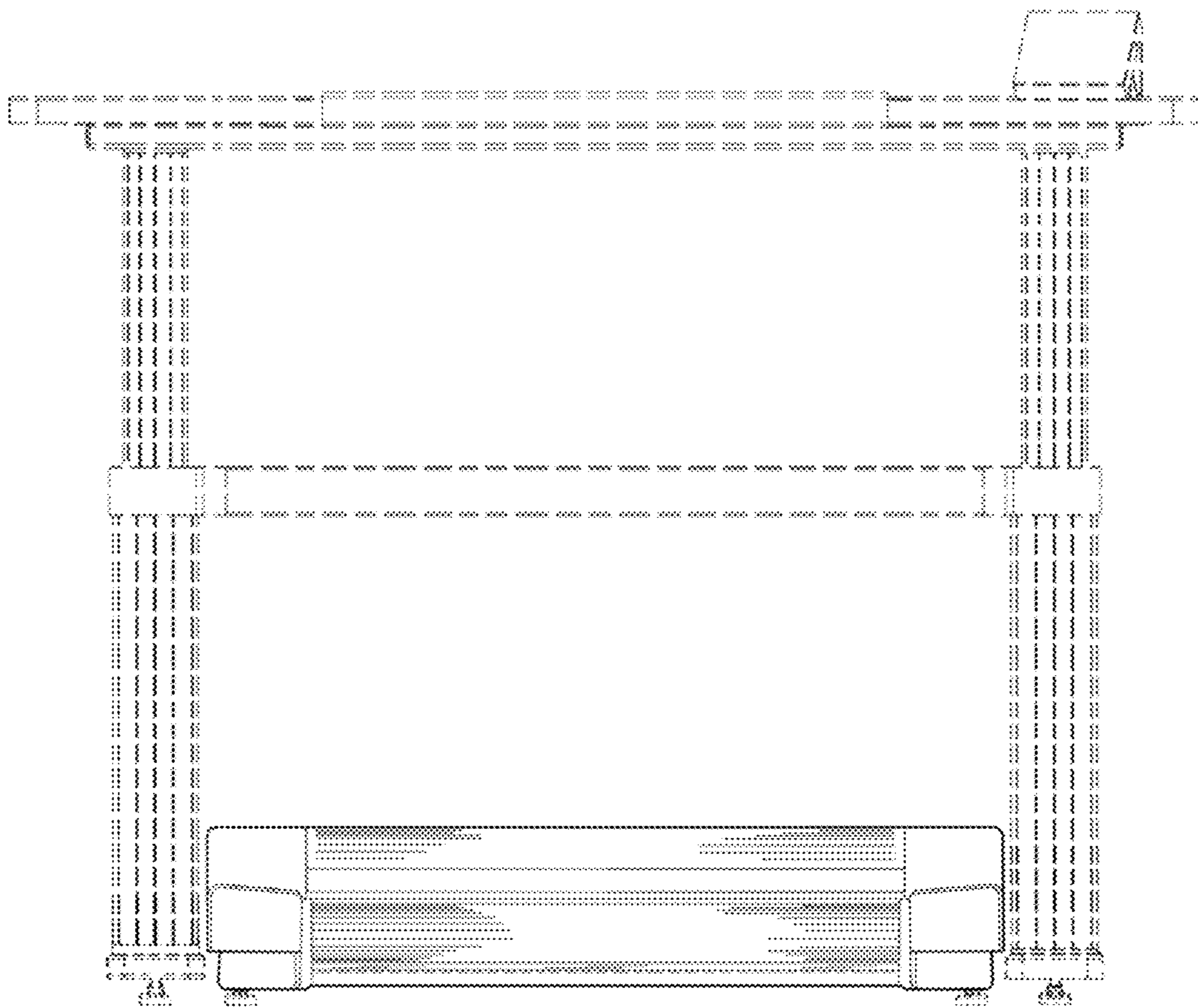


Fig. 4

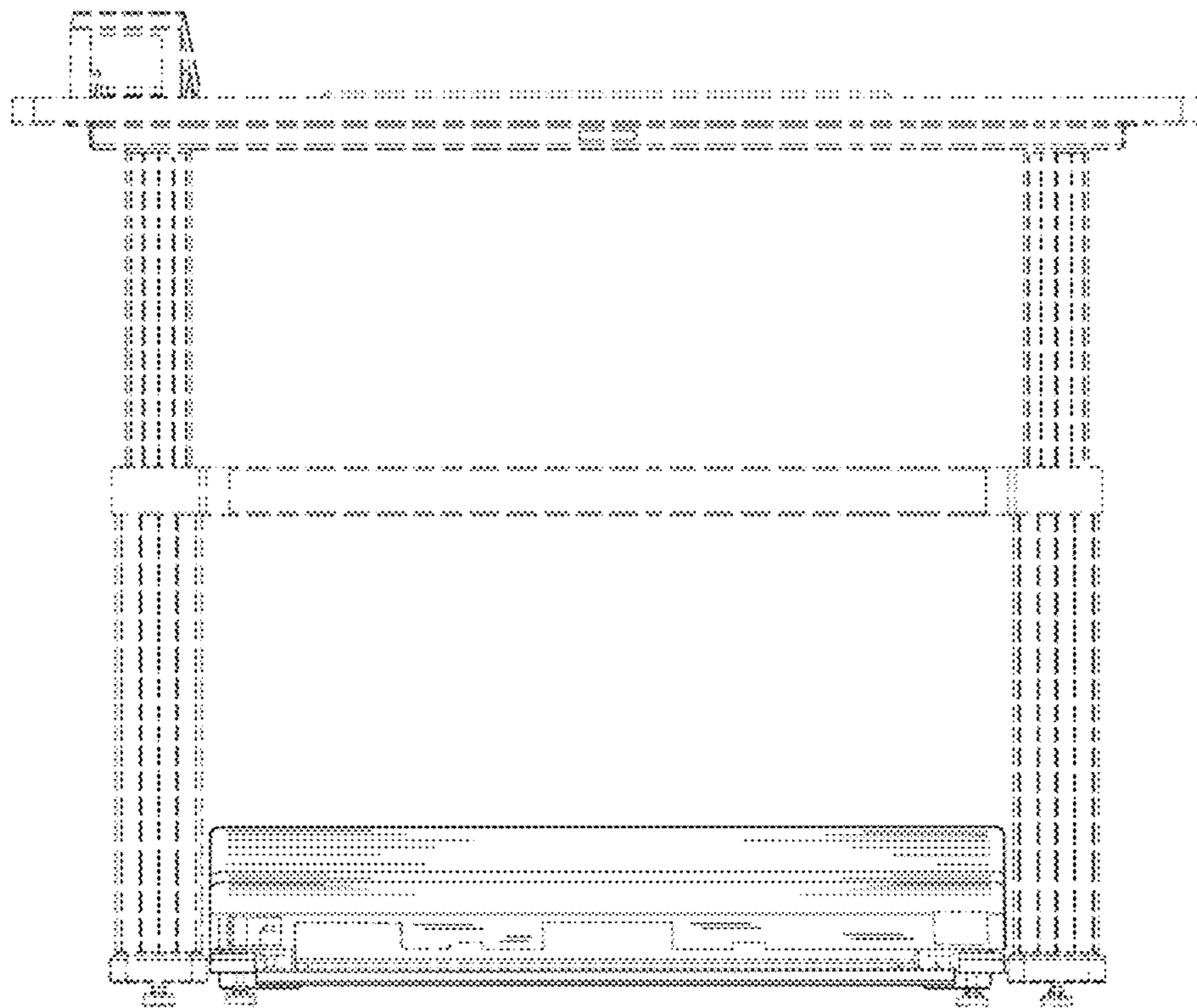


Fig. 5