



US00D797215S

(12) **United States Design Patent**
Suzuki et al.

(10) **Patent No.:** **US D797,215 S**
(45) **Date of Patent:** **** Sep. 12, 2017**

(54) **STATIONARY BIKE**

(71) Applicant: **Mitsubishi Electric Engineering Company, Ltd., Tokyo (JP)**

(72) Inventors: **Hironori Suzuki, Tokyo (JP); Hongkue Lee, Tokyo (JP); Takuya Hayashi, Tokyo (JP); Akihiro Maeda, Tokyo (JP)**

(73) Assignee: **Mitsubishi Electric Engineering Company, Ltd., Tokyo (JP)**

(**) Term: **15 Years**

(21) Appl. No.: **29/533,467**

(22) Filed: **Jul. 17, 2015**

(30) **Foreign Application Priority Data**

Apr. 17, 2015 (JP) 2015-008720

(51) **LOC (10) Cl.** **21-02**

(52) **U.S. Cl.**
USPC **D21/666**

(58) **Field of Classification Search**
USPC D21/663, 667, 666, 697, 694, 665, 668, 482/61, 57, 58, 127, 133, 51, 482/9, 60, 904, 8, 1, 900, 63, 908; 188/24.11; 74/502.4, 502.6, 551.1, 551.8; 248/444.1, 205.1; D8/303; D12/178, D12/411, 345; D23/382, 381, 378, 412, D23/411; D13/115; D15/7
CPC ... A63B 22/0605; A63B 69/16; A63B 21/225; Y10T 74/2078; Y10T 74/20822
See application file for complete search history.

(56) **References Cited**

U.S. PATENT DOCUMENTS

D320,826 S * 10/1991 Hildebrandt D21/666
D355,942 S * 2/1995 Wu D21/666

D362,699 S * 9/1995 Heaton D21/666
D479,865 S * 9/2003 Arai D21/666
D515,152 S * 2/2006 Corbalis D21/666
D521,085 S * 5/2006 Kuo D21/666
D539,857 S * 4/2007 Bingham, Jr. D21/697

(Continued)

OTHER PUBLICATIONS

Commonly assigned co-pending U.S. Appl. No. 29/497,585, filed Jul. 25, 2014, entitled Room Exercise Machine.

(Continued)

Primary Examiner — Robert M Spear

Assistant Examiner — Ryan Harvey

(74) *Attorney, Agent, or Firm* — Gardner, Linn, Burkhardt & Flory, LLP

(57) **CLAIM**

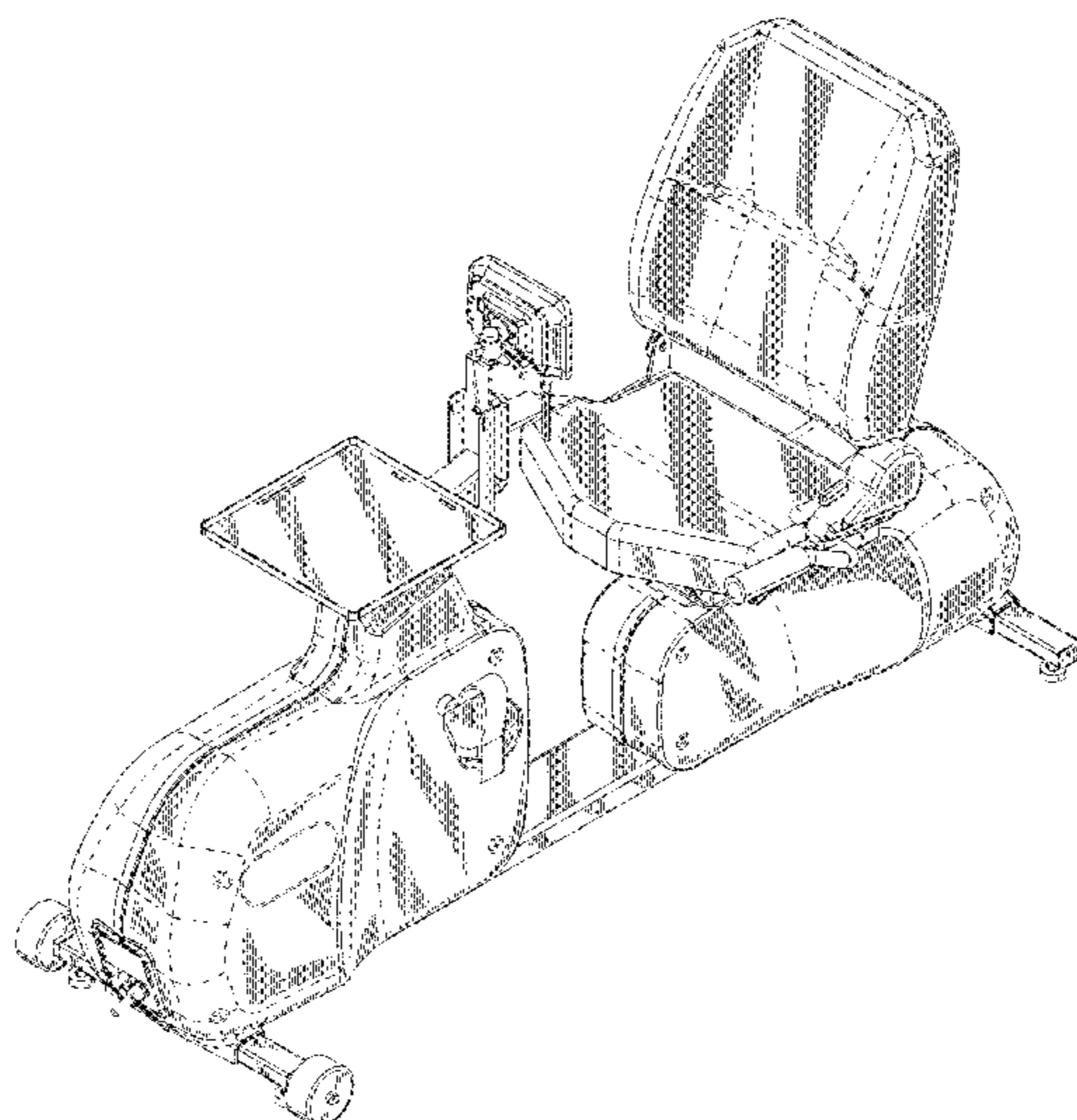
The ornamental design for a stationary bike, substantially as shown and described.

DESCRIPTION

FIG. 1 is a perspective view of a stationary bike according to a first embodiment of the present invention; FIG. 2 is a front elevation view of the stationary bike of FIG. 1; FIG. 3 is a left-side elevation view of the stationary bike of FIG. 1; FIG. 4 is a rear elevation view of the stationary bike of FIG. 1; FIG. 5 is a right-side elevation view of the stationary bike of FIG. 1; FIG. 6 is a top-plan view of stationary bike of FIG. 1; and, FIG. 7 is a bottom plan view of the stationary bike of FIG. 1.

In the drawings, the evenly-spaced broken line showing of the stationary bike depicts environment and forms no part of the claim; the dash-dot-dot-dash lines represent boundaries of the claimed design and form no part thereof.

1 Claim, 7 Drawing Sheets



(56)

References Cited

U.S. PATENT DOCUMENTS

D553,698 S * 10/2007 Pyles D21/666
D564,052 S * 3/2008 Brietlow D21/697
7,736,281 B2 * 6/2010 Corbalis A63B 22/0605
248/444.1
D650,870 S * 12/2011 Citterio D21/663
D717,889 S * 11/2014 Alessandri D21/663
D750,182 S * 2/2016 Takaoka D21/663
D750,715 S * 3/2016 Takaoka D21/666
2006/0234835 A1 * 10/2006 Kuo A63B 21/154
482/57
2008/0093517 A1 * 4/2008 Chen A63B 71/0622
248/205.1

OTHER PUBLICATIONS

Commonly assigned co-pending U.S. Appl. No. 29/497,601, filed
Jul. 25, 2014, entitled Room Exercise Machine.

Commonly assigned co-pending U.S. Appl. No. 29/532,940, filed
Jul. 13, 2015, entitled Room Exercise Machine.

* cited by examiner

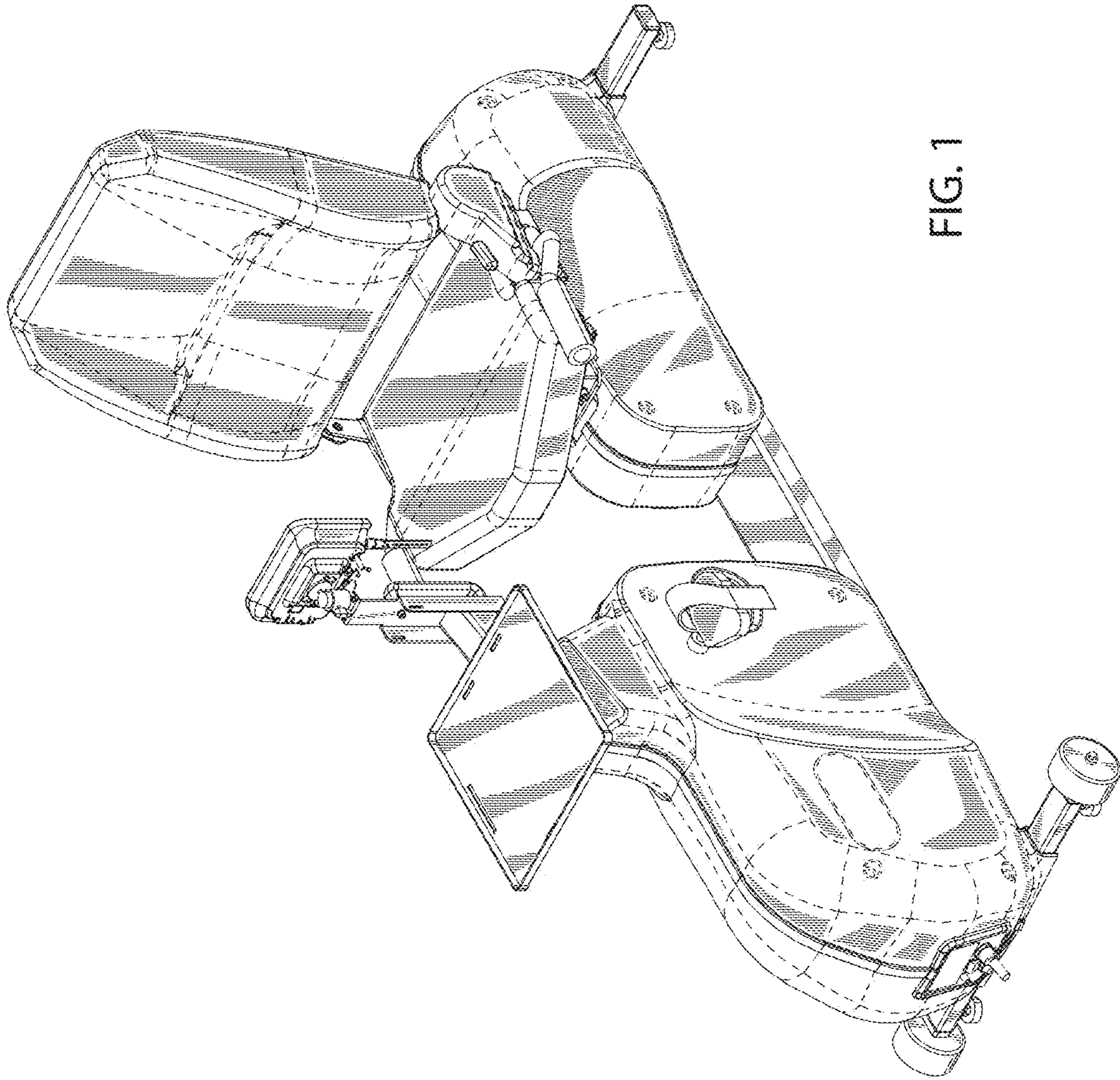


FIG. 1

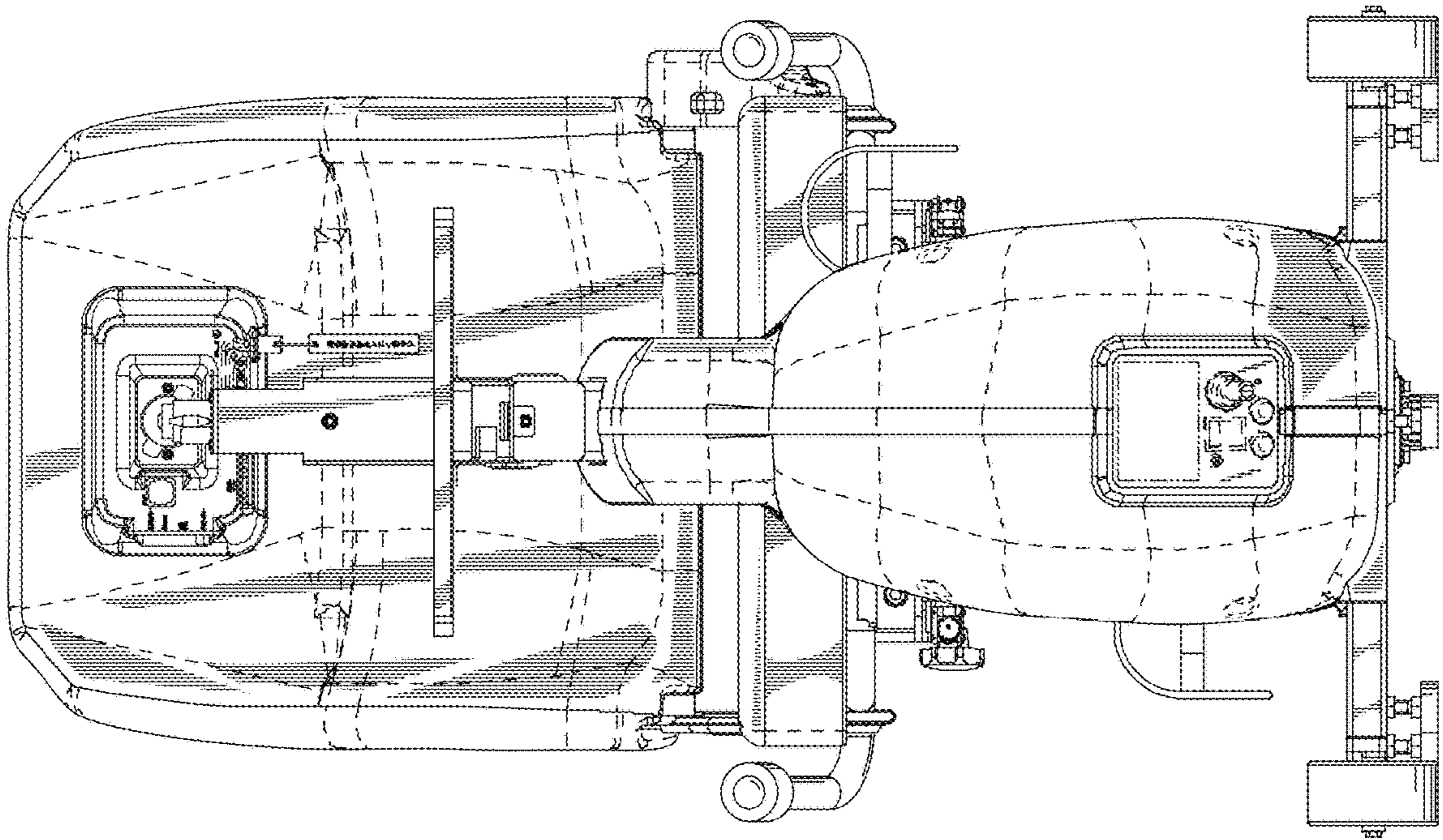


FIG. 2

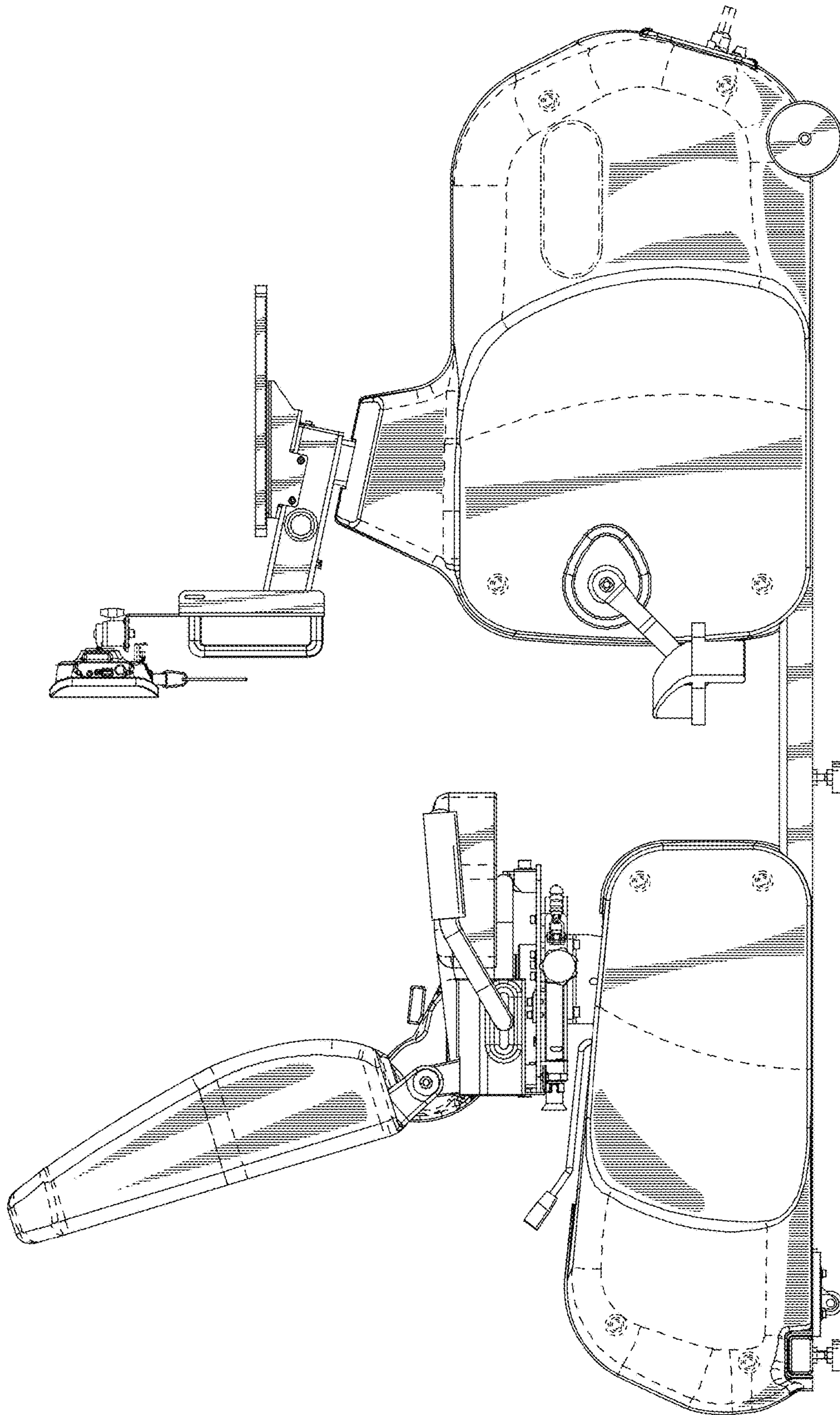
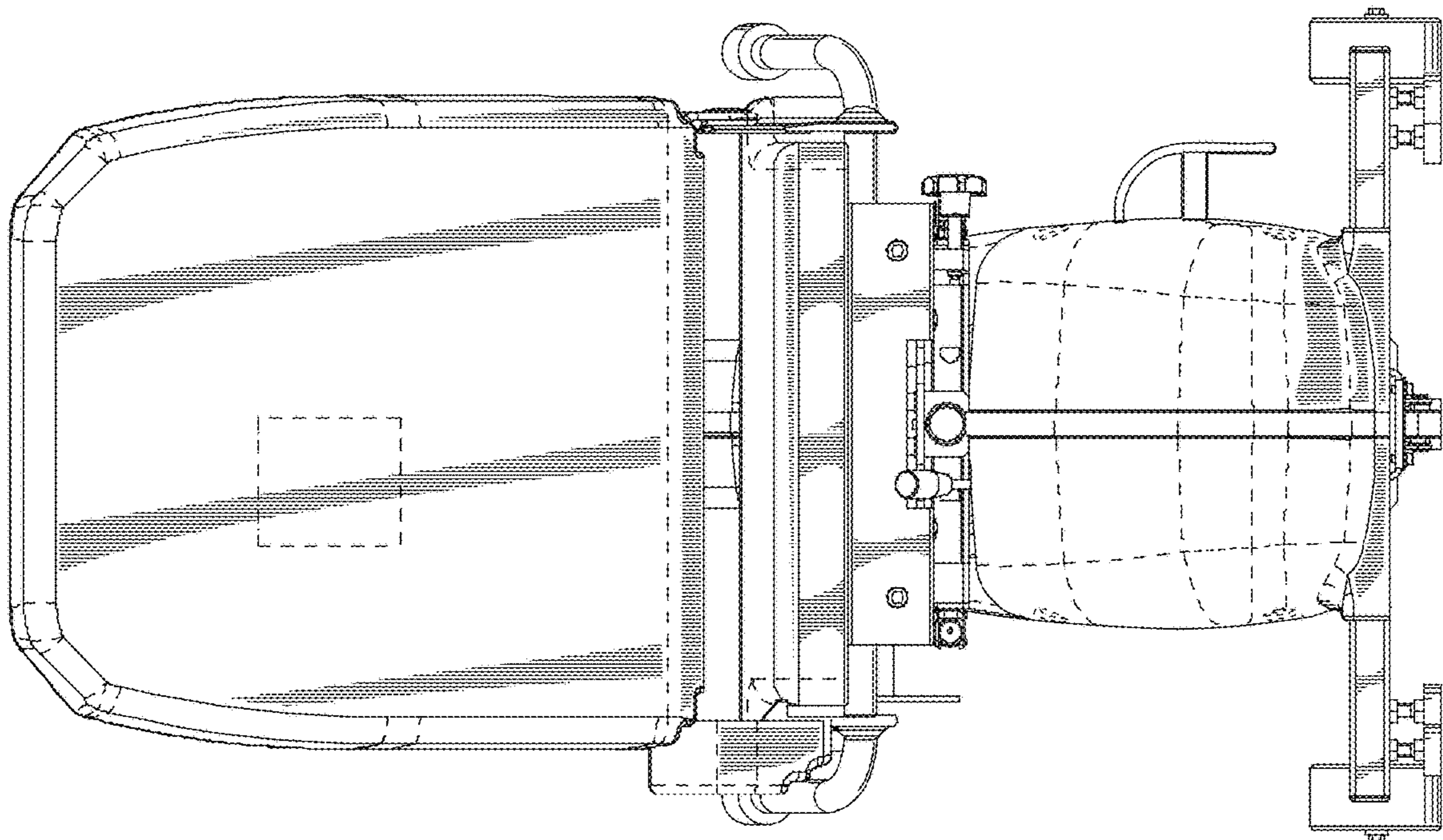


FIG. 3

FIG. 4



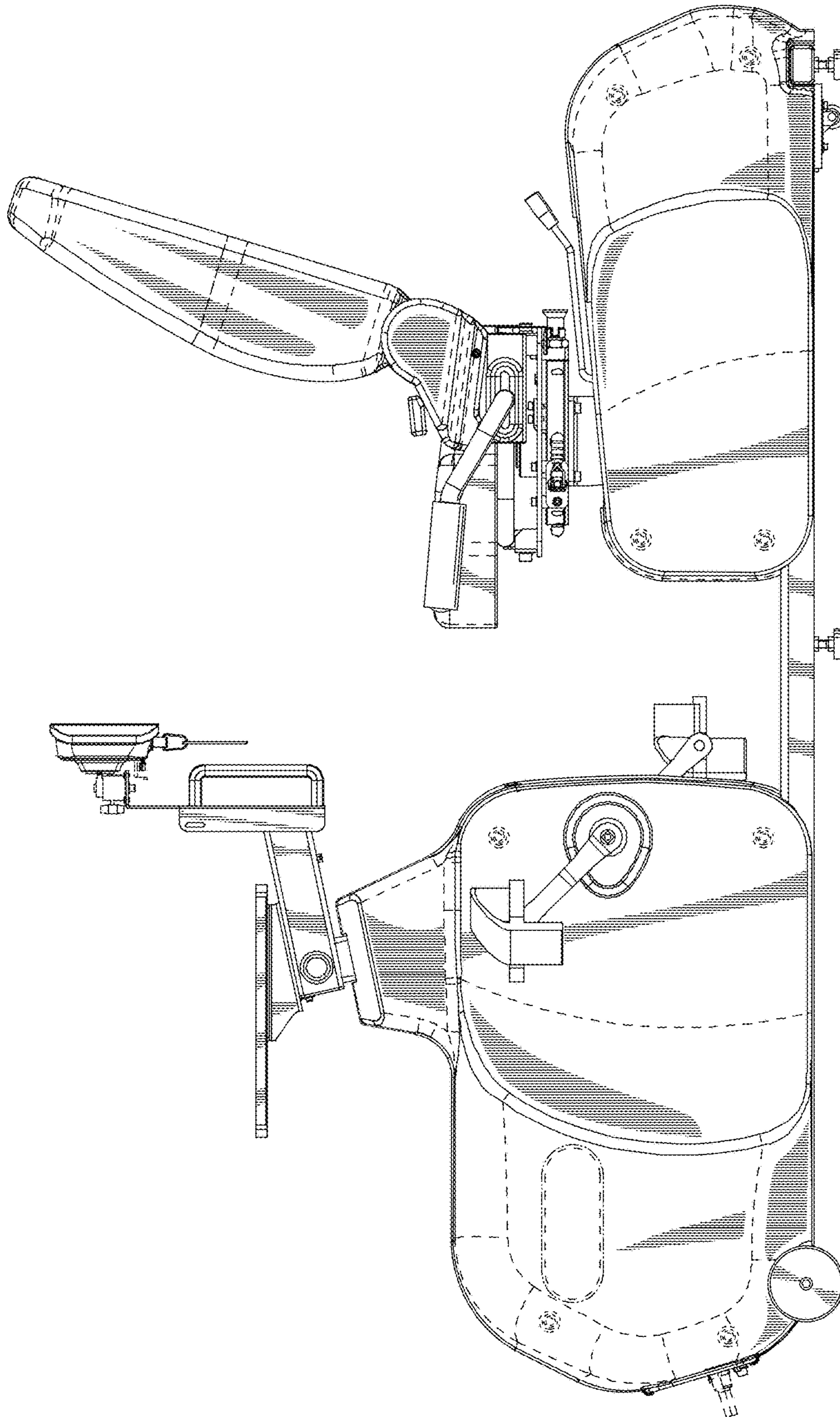


FIG. 5

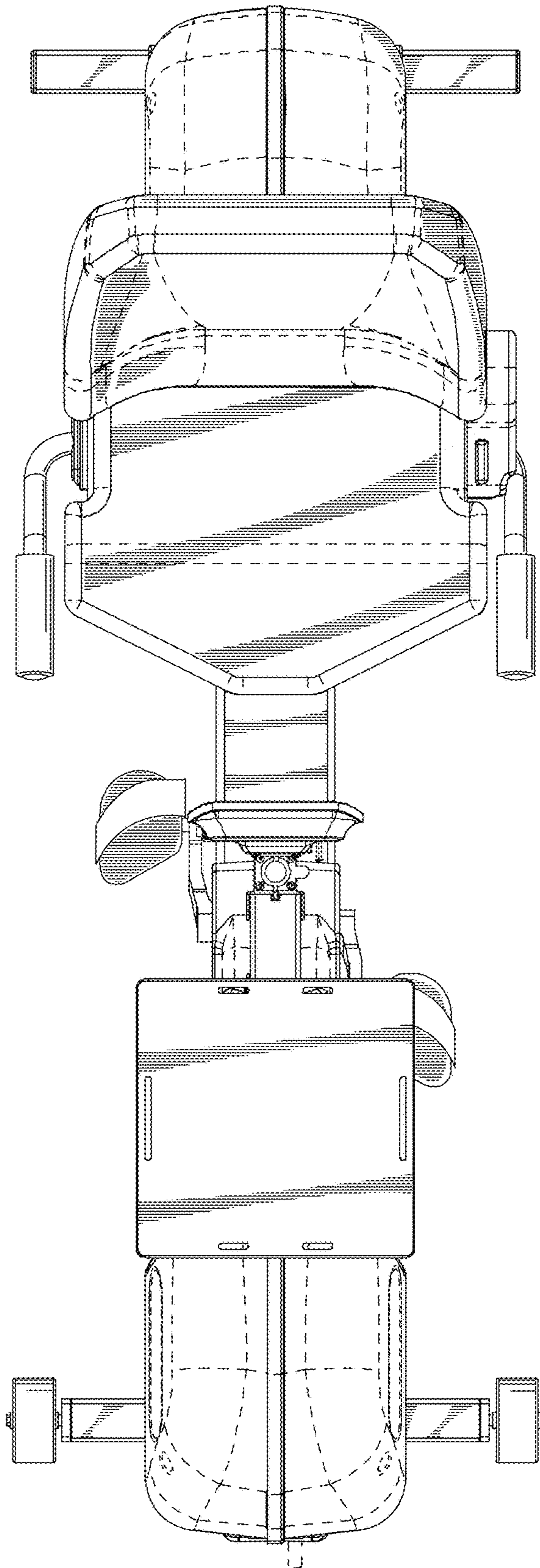


FIG. 6

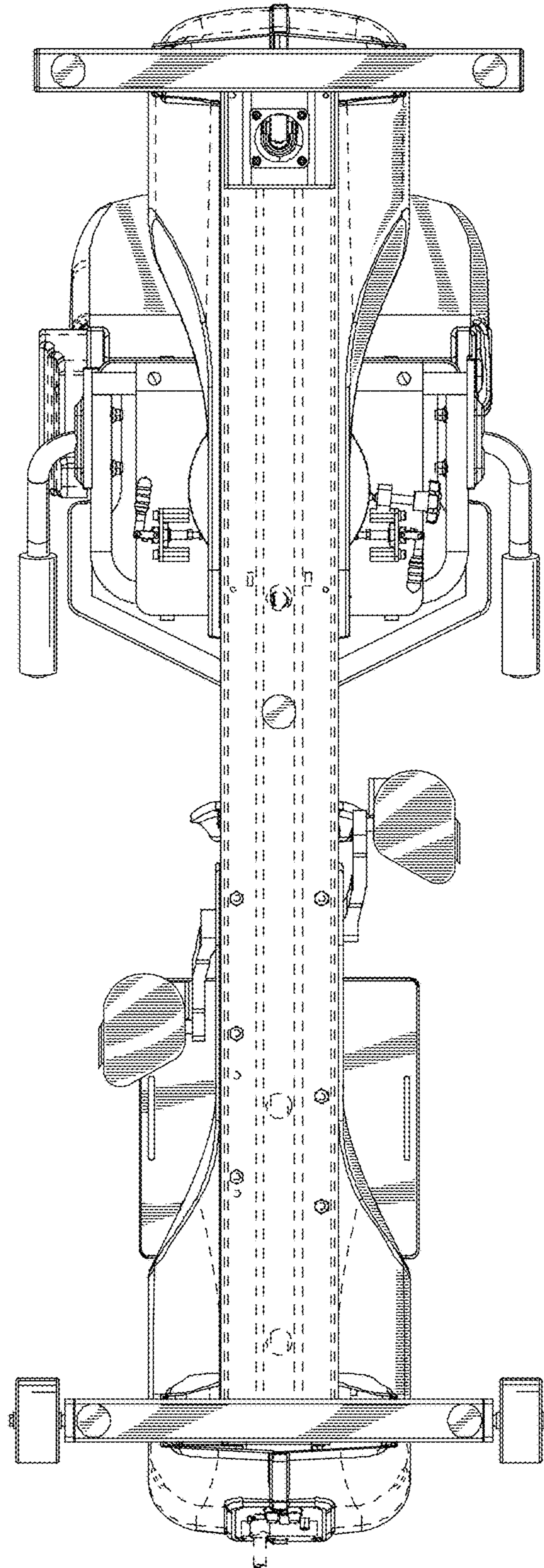


FIG. 7