



US00D797214S

(12) **United States Design Patent**  
**Suzuki et al.**

(10) **Patent No.:** **US D797,214 S**  
(45) **Date of Patent:** **\*\* Sep. 12, 2017**

(54) **STATIONARY BIKE**

D299,732 S \* 2/1989 Gustafsson ..... D21/667  
D308,235 S \* 5/1990 Meisner ..... D21/667  
D325,410 S \* 4/1992 Chen ..... D21/667  
D343,659 S \* 1/1994 Kiiski ..... D21/667

(71) Applicant: **Mitsubishi Electric Engineering Company, Ltd., Tokyo (JP)**

(Continued)

(72) Inventors: **Hironori Suzuki, Tokyo (JP); Hongkue Lee, Tokyo (JP); Takuya Hayashi, Tokyo (JP); Akihiro Maeda, Tokyo (JP)**

**OTHER PUBLICATIONS**

Commonly assigned co-pending U.S. Appl. No. 29/497,585, filed Jul. 25, 2014, entitled Room Exercise Machine.

(Continued)

(73) Assignee: **Mitsubishi Electric Engineering Company, Ltd., Tokyo (JP)**

*Primary Examiner* — Robert M Spear  
*Assistant Examiner* — Ryan Harvey

(\*\*) Term: **15 Years**

(74) *Attorney, Agent, or Firm* — Gardner, Linn, Burkhardt & Flory, LLP

(21) Appl. No.: **29/532,940**

(22) Filed: **Jul. 13, 2015**

(57) **CLAIM**

The ornamental design for a stationary bike, substantially as shown and described.

(30) **Foreign Application Priority Data**

Apr. 17, 2015 (JP) ..... 2015-008719

**DESCRIPTION**

(51) **LOC (10) Cl.** ..... **21-02**

(52) **U.S. Cl.**  
USPC ..... **D21/663**

(58) **Field of Classification Search**  
USPC ..... D21/663, 667, 666, 697, 694, 665, 668,  
D21/664; 482/61, 57, 58, 127, 133, 51,  
482/9, 60, 904, 8, 1, 900, 63, 908;  
188/24.11; 74/502.4, 502.6, 551.1, 551.8;  
248/444.1, 205.1; D8/303; D12/178;  
D23/382, 381, 378, 412, 411; D13/115;  
D15/7

FIG. 1 is a perspective view of a stationary bike according to a first embodiment of the present invention;  
FIG. 2 is a front elevation view of the stationary bike machine of FIG. 1;  
FIG. 3 is a left-side elevation view of the stationary bike of FIG. 1;  
FIG. 4 is a rear elevation view of the stationary bike of FIG. 1;  
FIG. 5 is a right-side elevation view of the stationary bike of FIG. 1;  
FIG. 6 is a top-plan view of the stationary bike of FIG. 1;  
and,  
FIG. 7 is a bottom plan view of the stationary bike of FIG. 1.

CPC ... A63B 22/0605; A63B 69/16; A63B 21/225;  
Y10T 74/2078; Y10T 74/20822

See application file for complete search history.

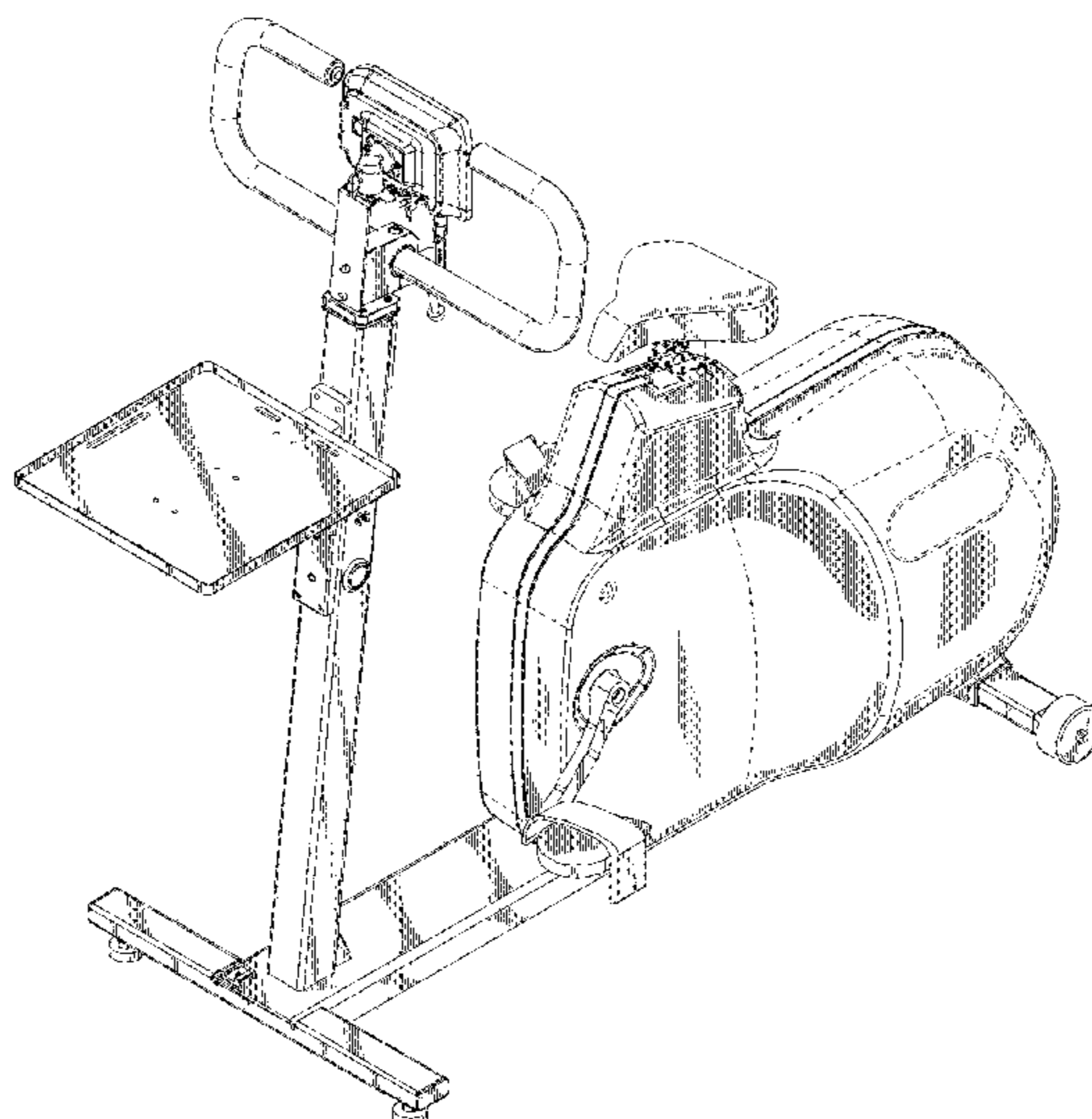
In the drawings, the evenly-spaced broken line showing of the stationary bike depicts environment and forms no part of the claim; the dash-dot-dot-dash lines represent boundaries of the claimed design and form no part thereof.

(56) **References Cited**

**U.S. PATENT DOCUMENTS**

D288,706 S \* 3/1987 Gremonprez ..... D21/667  
D291,462 S \* 8/1987 Aalto ..... D21/667

**1 Claim, 7 Drawing Sheets**



(56)

**References Cited**

U.S. PATENT DOCUMENTS

D353,690	S	*	12/1994	Tsushi	.....	D21/663
D356,840	S	*	3/1995	Huang	.....	D21/667
D360,916	S	*	8/1995	Koga	.....	D21/663
D406,288	S	*	3/1999	Chen	.....	D21/663
D433,082	S	*	10/2000	Tsushi	.....	D21/663
6,565,487	B1	*	5/2003	Kuo	.....	A63B 22/0605 267/132
D480,119	S	*	9/2003	Chen	.....	D21/663
D512,754	S	*	12/2005	Nagano	.....	D21/663
D647,981	S	*	11/2011	Chen	.....	D21/663
D654,125	S	*	2/2012	van der Meer	.....	D21/667
D675,687	S	*	2/2013	Fischer	.....	D21/663
D750,182	S	*	2/2016	Takaoka	.....	D21/663

OTHER PUBLICATIONS

Commonly assigned co-pending U.S. Appl. No. 29/497,601, filed Jul. 25, 2014, entitled Room Exercise Machine.

Commonly assigned co-pending U.S. Appl. No. 29/533,467, filed Jul. 17, 2015, entitled Room Exercise Machine.

\* cited by examiner

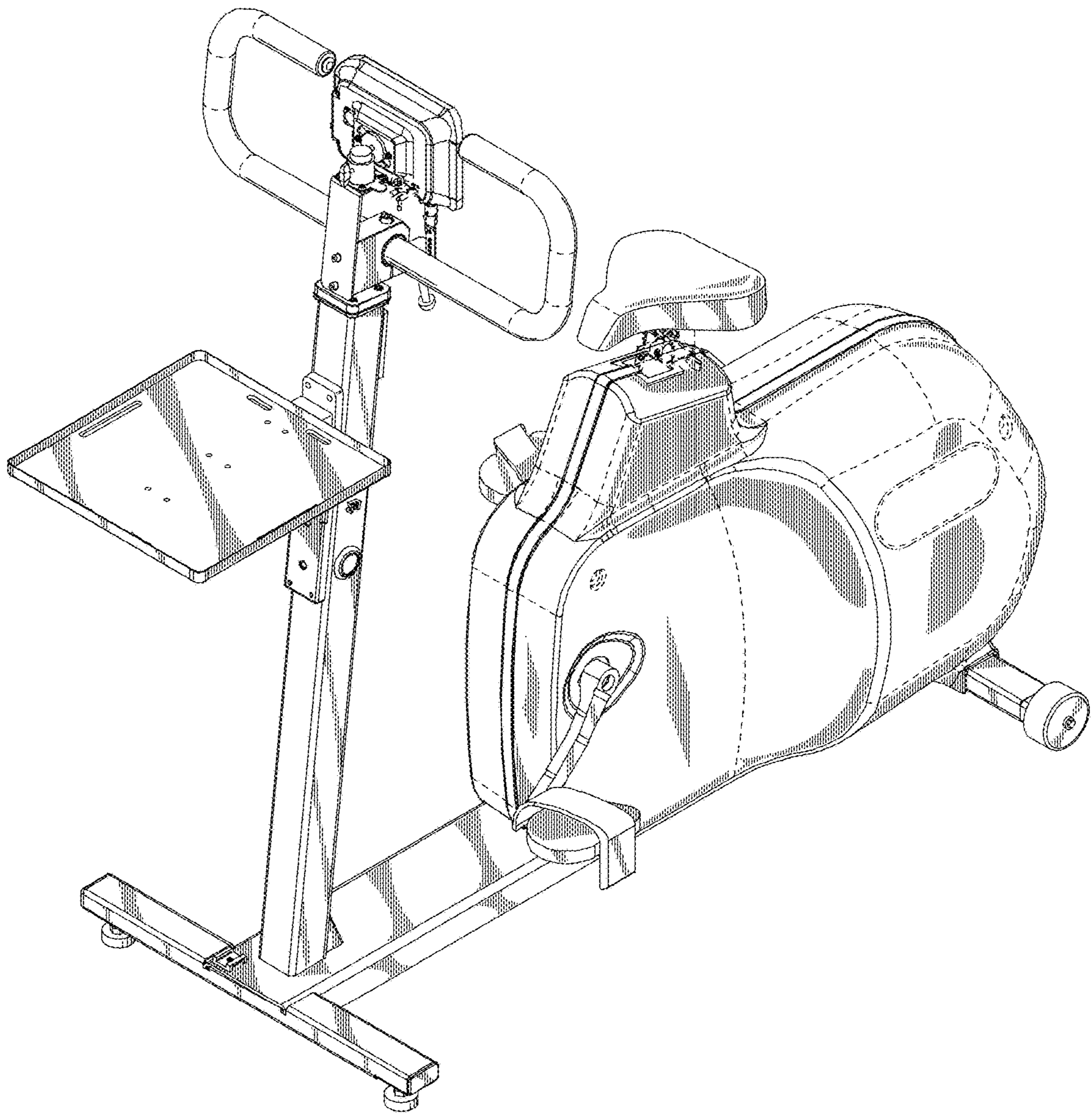


FIG. 1

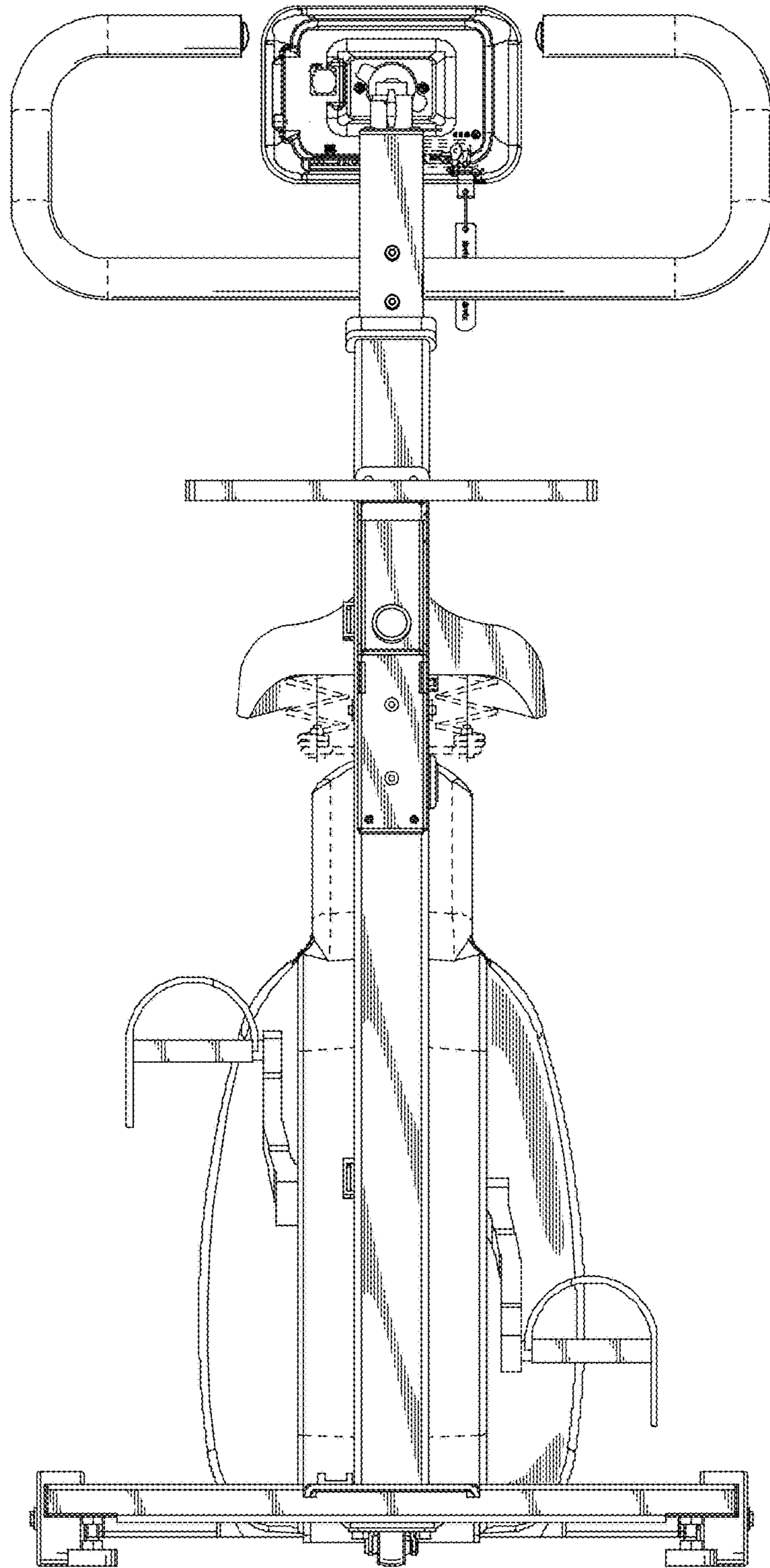


FIG. 2

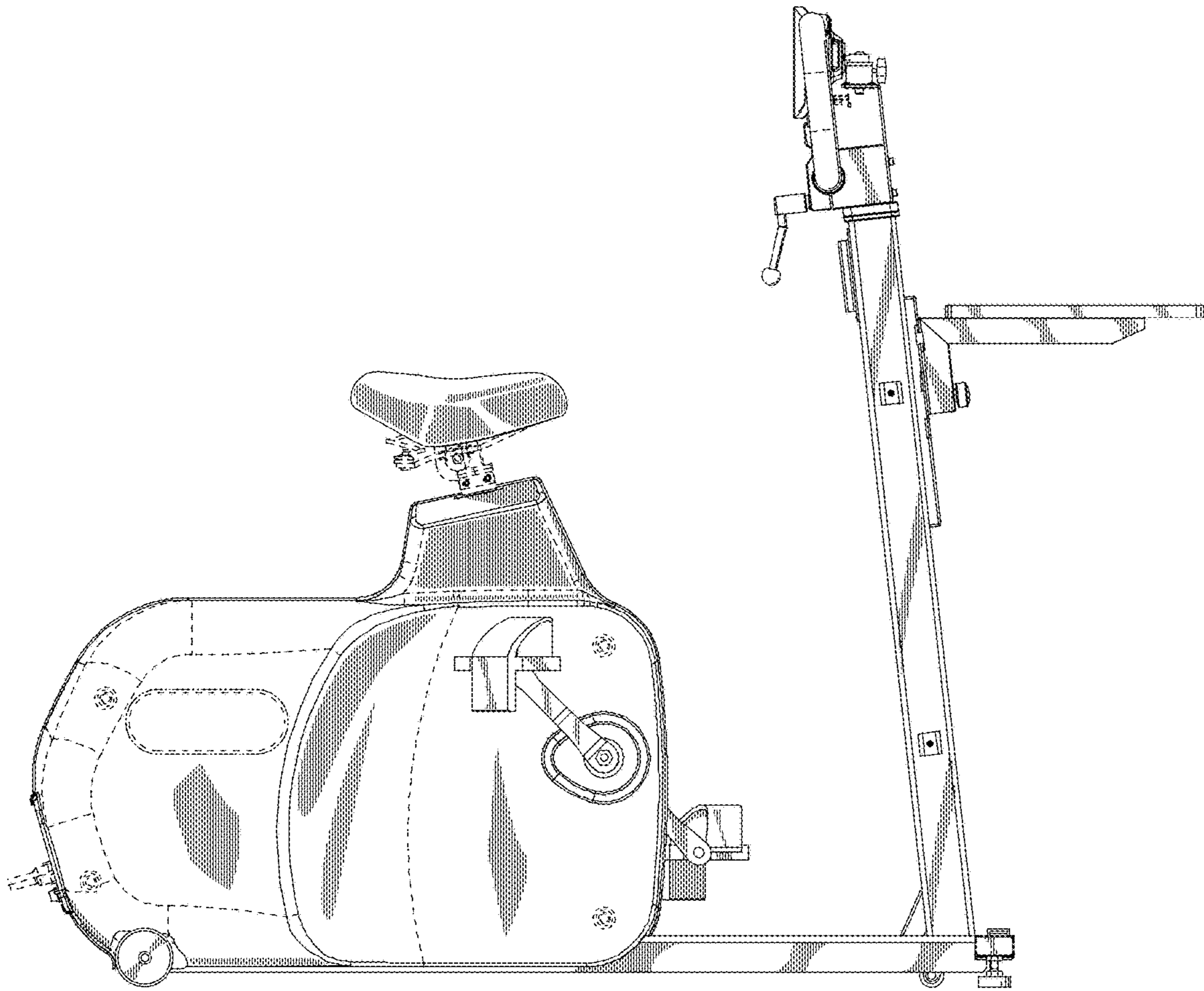


FIG. 3

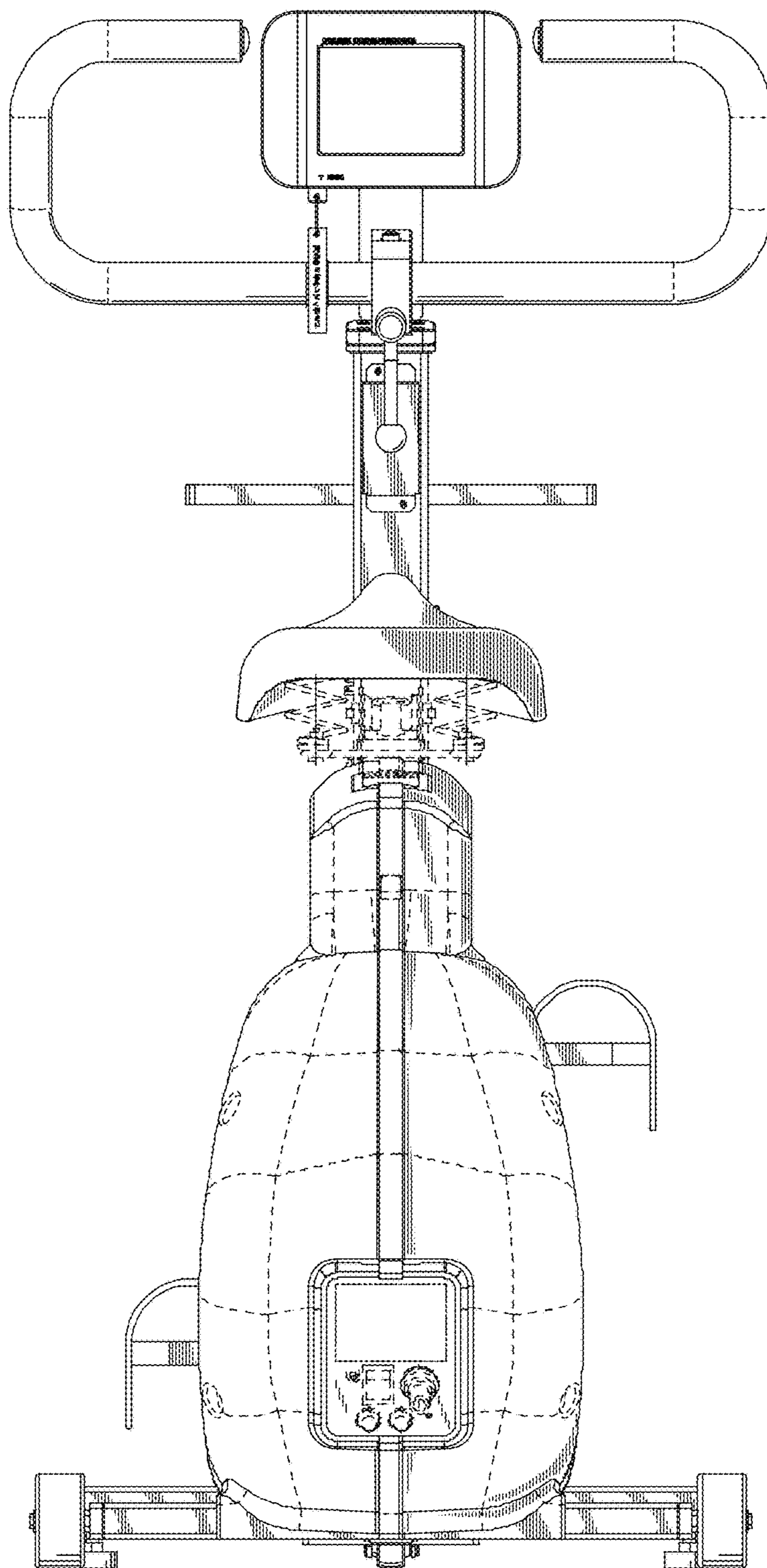


FIG. 4

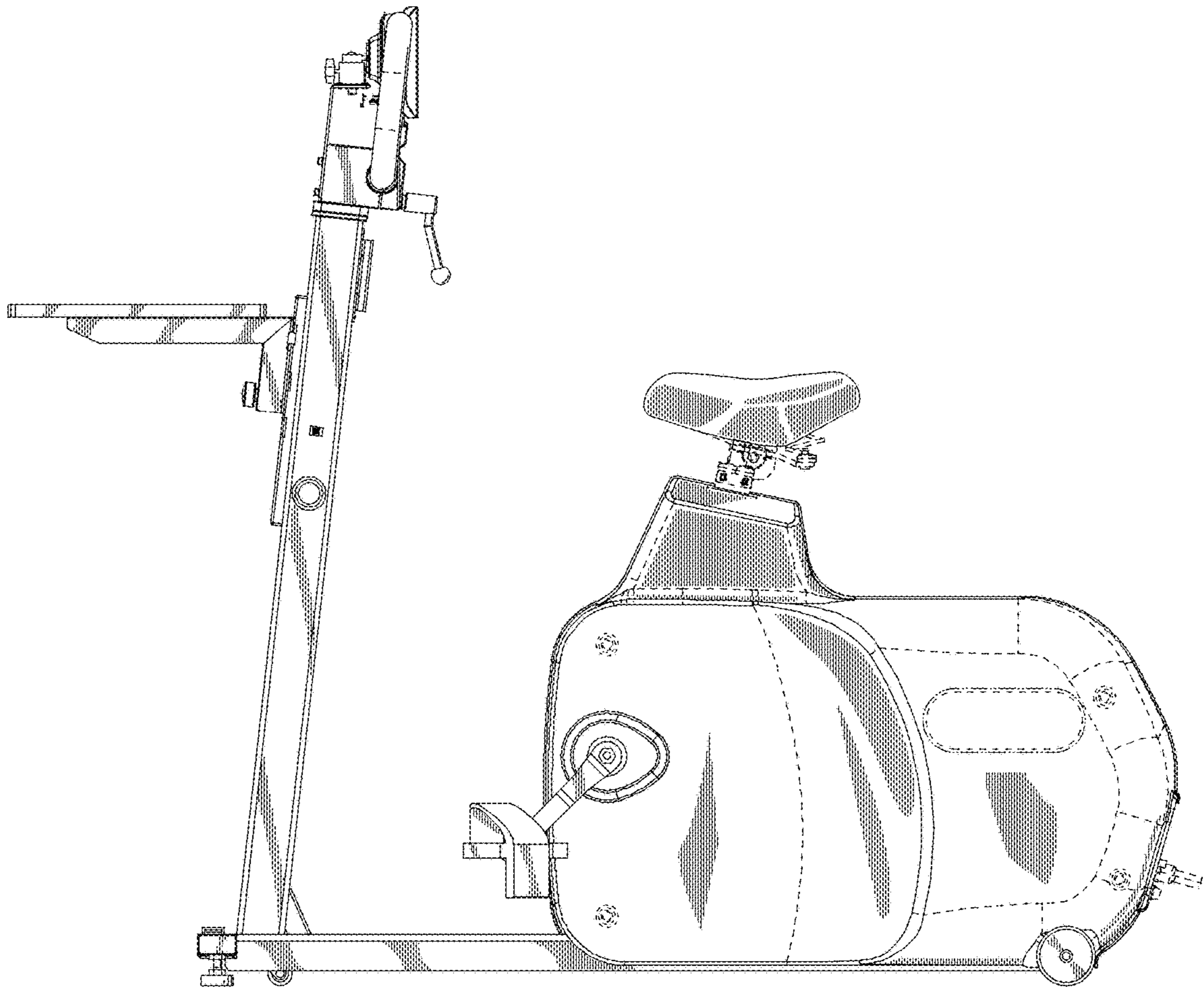


FIG. 5

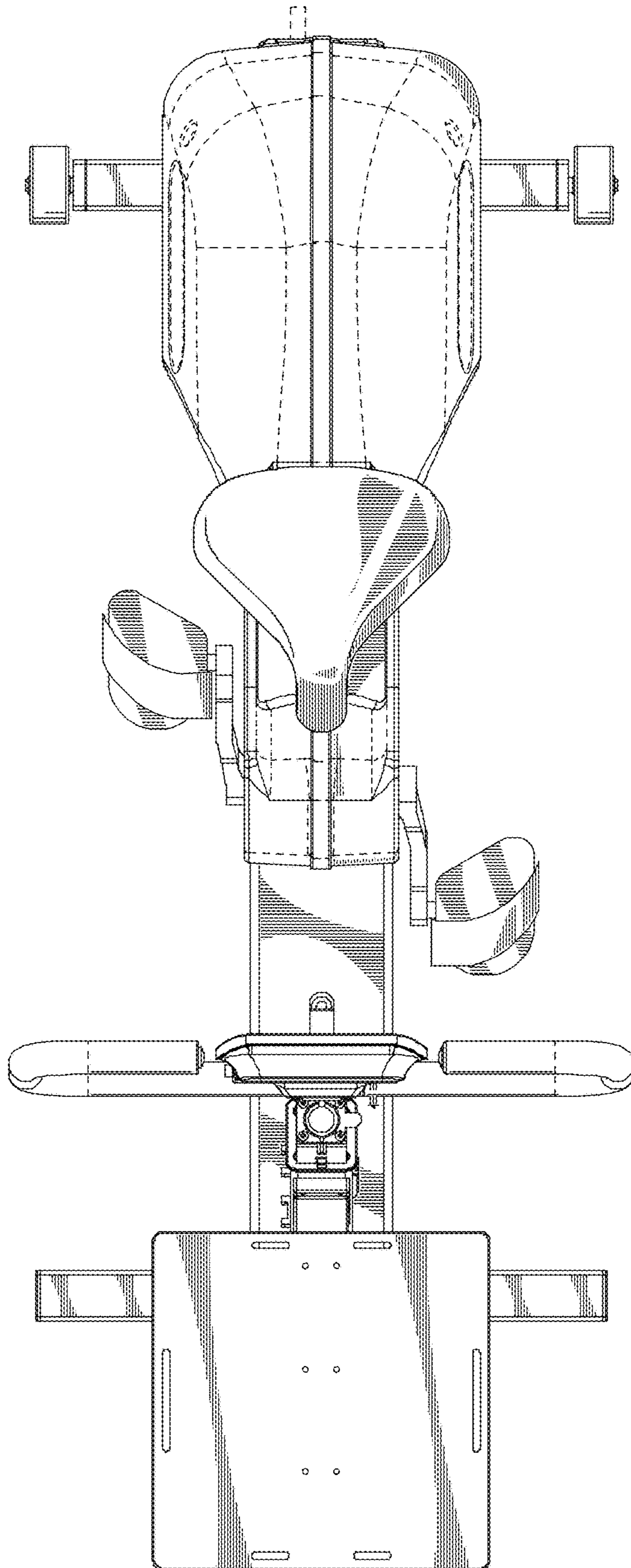


FIG. 6



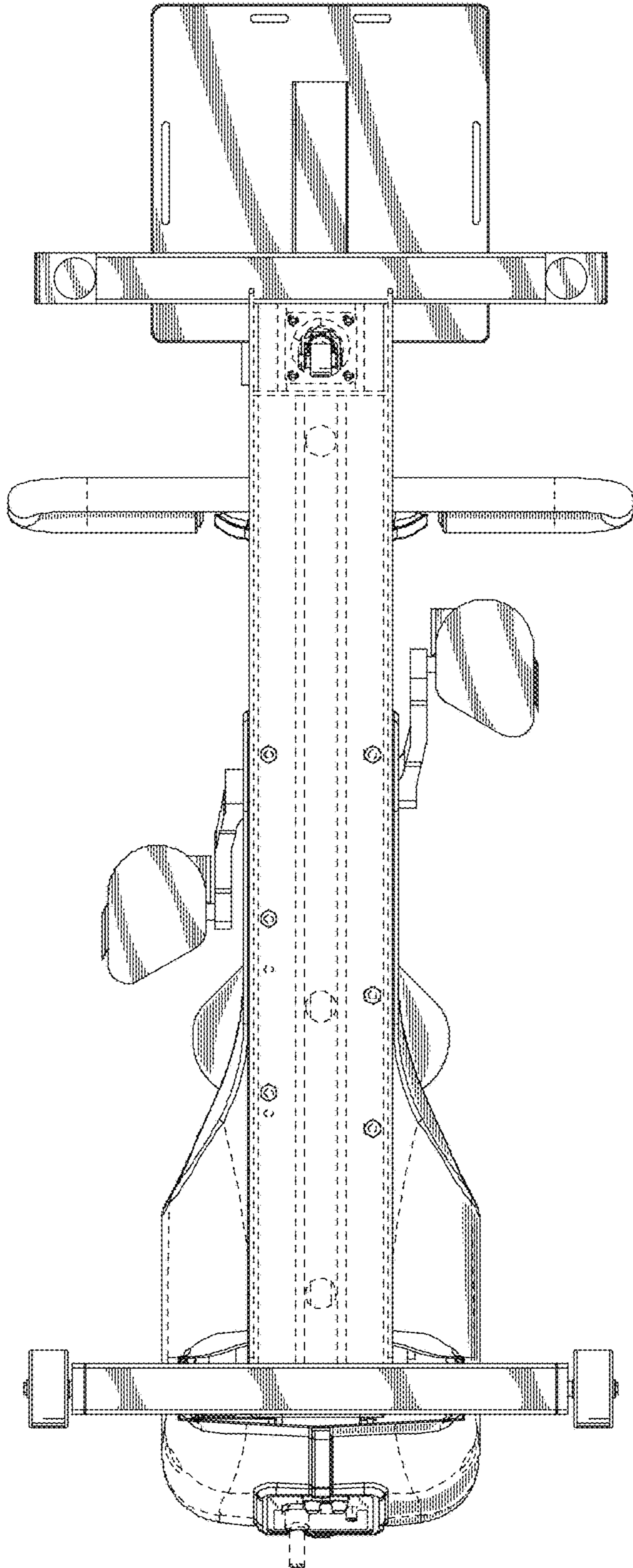


FIG. 7