



US00D797212S

(12) **United States Design Patent** (10) **Patent No.:** **US D797,212 S**
Polinsky (45) **Date of Patent:** **** Sep. 12, 2017**

(54) **BALANCE BOARD**

- (71) Applicant: **Nautilus, Inc.**, Vancouver, WA (US)
- (72) Inventor: **Glenn Polinsky**, Waunakee, WI (US)
- (73) Assignee: **Nautilus, Inc.**, Vancouver, WA (US)
- (**) Term: **15 Years**
- (21) Appl. No.: **29/549,152**
- (22) Filed: **Dec. 18, 2015**
- (51) **LOC (10) Cl.** **21-02**
- (52) **U.S. Cl.**
USPC **D21/662**; D21/765
- (58) **Field of Classification Search**
USPC D21/622, 685, 690, 662, 765
CPC A63B 21/00; A63B 21/0004; A63B 22/00;
A63B 22/03; A63B 22/20; A63B 23/00;
A63B 24/00; A63B 69/00; A63C 17/00;
A63C 17/04

See application file for complete search history.

(56) **References Cited**

U.S. PATENT DOCUMENTS

616,746	A *	12/1898	Taylor	B62D 1/06 16/421
D31,802	S *	11/1899	Gardener	D8/303
RE22,749	E *	4/1946	Mason	A47J 45/062 16/421
2,398,436	A *	4/1946	Mason	A47J 45/062 16/421
2,508,812	A *	5/1950	Burger	B62K 21/26 116/28 R
D373,400	S *	9/1996	Ogata	D21/761
6,019,382	A *	2/2000	Bouden	A63C 17/01 280/11.19
6,267,394	B1 *	7/2001	Bouden	A63C 17/01 280/11.19
6,428,022	B1 *	8/2002	Namiki	A63C 17/01 280/268
D464,389	S *	10/2002	Schouten	A63C 17/01 D21/765
6,698,776	B2 *	3/2004	Todd	A63C 17/004 280/11.19

(Continued)

OTHER PUBLICATIONS

“Lifeline Power Wheel”, <http://www.lifelinefitness.com/store/products/ProductDetail.php?ProductID=685>, available as early as Aug. 10, 2015.

(Continued)

Primary Examiner — Caron D Veynar

Assistant Examiner — Mehri Bajoul

(74) *Attorney, Agent, or Firm* — Dorsey & Whitney LLP

(57) **CLAIM**

I claim the ornamental design for a balance board, as shown and described.

DESCRIPTION

FIG. 1 shows a top front perspective view of a balance board in accordance with the present design.

FIG. 2 shows a bottom rear perspective view of the balance board of FIG. 1.

FIG. 3 shows a front elevation view of the balance board of FIG. 1.

FIG. 4 shows a rear elevation view of the balance board of FIG. 1.

FIG. 5 shows a left side elevation view of the balance board of FIG. 1.

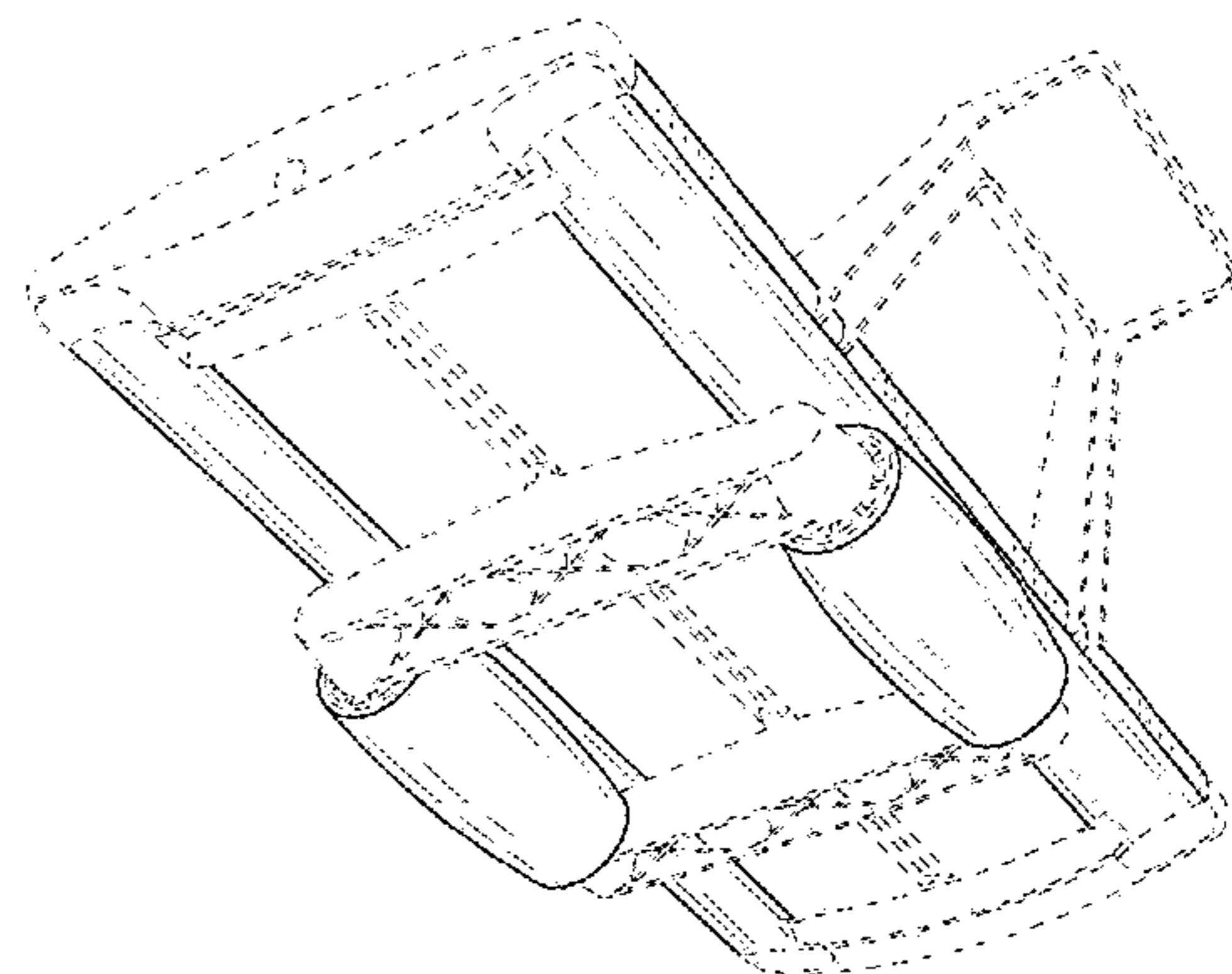
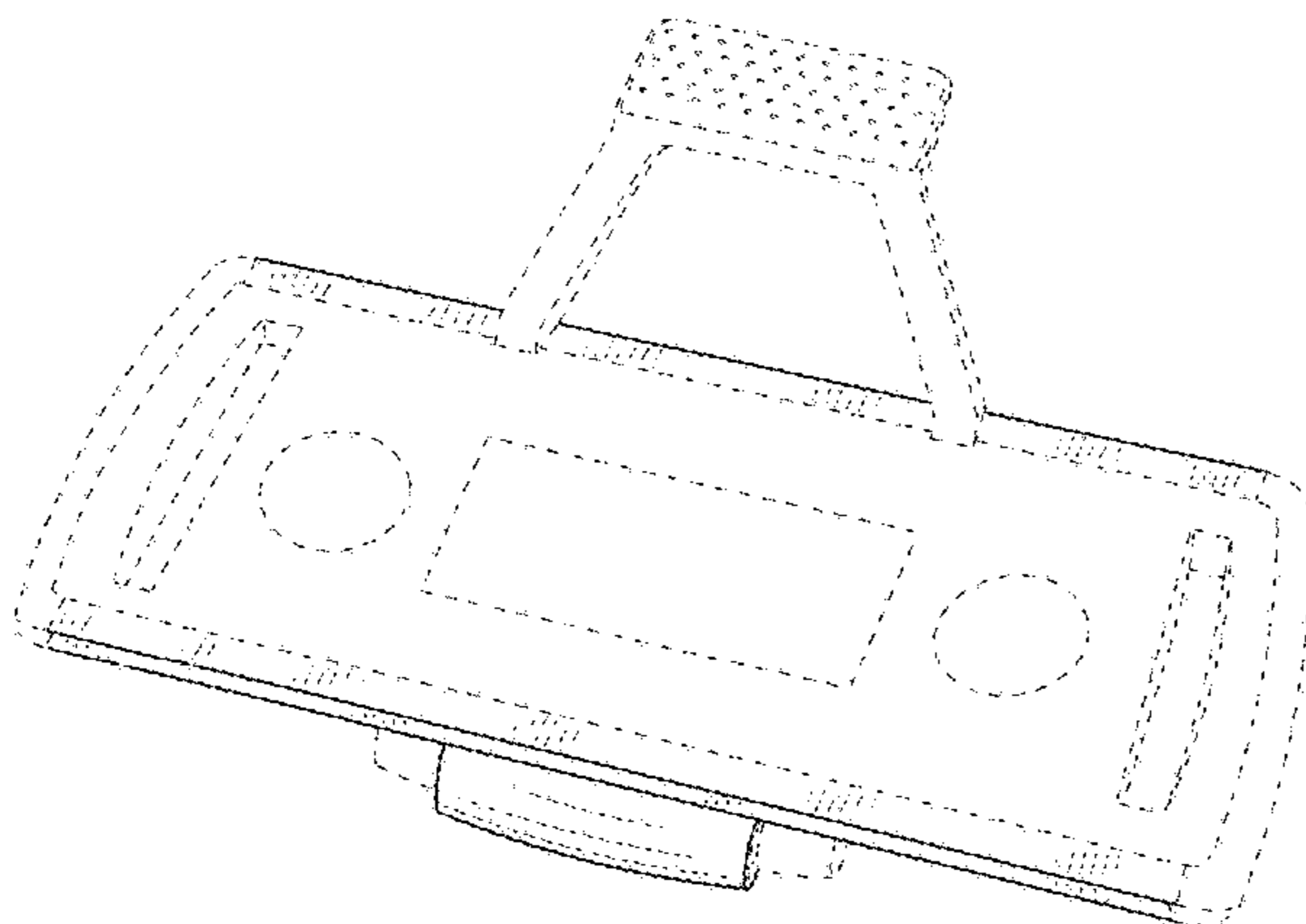
FIG. 6 shows a right side elevation view of the balance board of FIG. 1.

FIG. 7 shows a top plan view of the balance board of FIG. 1; and,

FIG. 8 shows a bottom plan view of the balance board of FIG. 1.

The broken lines illustrate portions of the balance board that form no part of the claimed design.

1 Claim, 4 Drawing Sheets



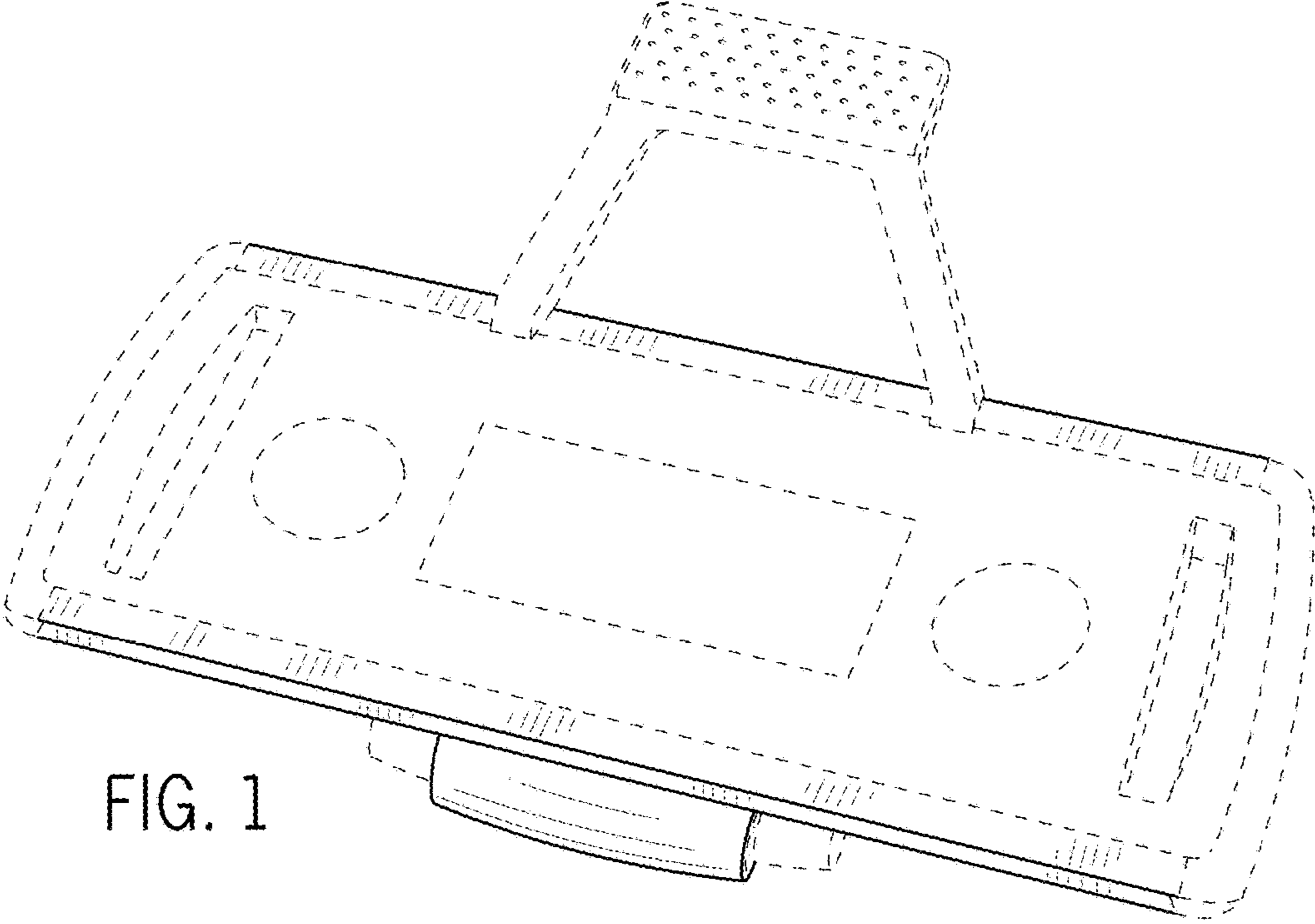


FIG. 1

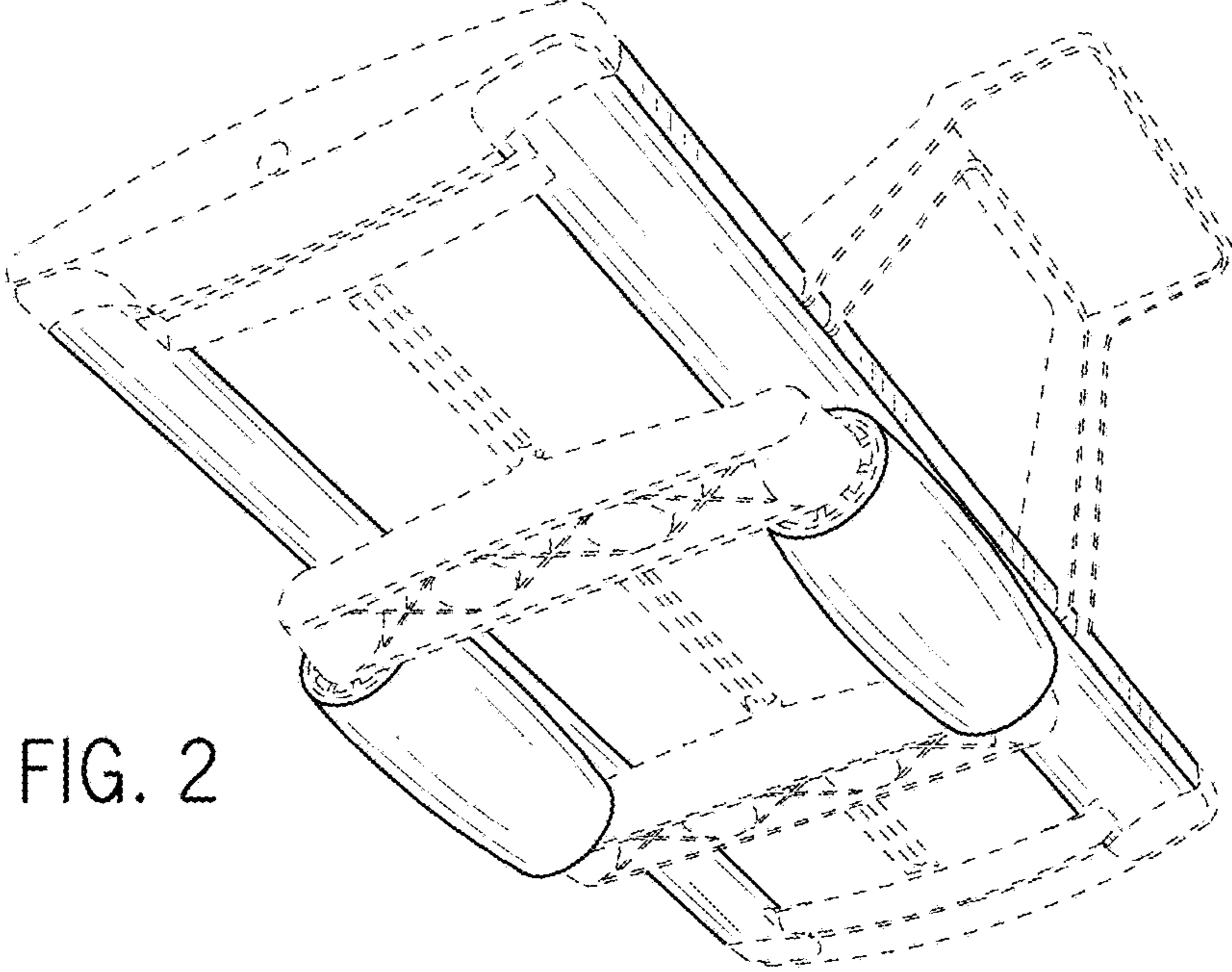


FIG. 2

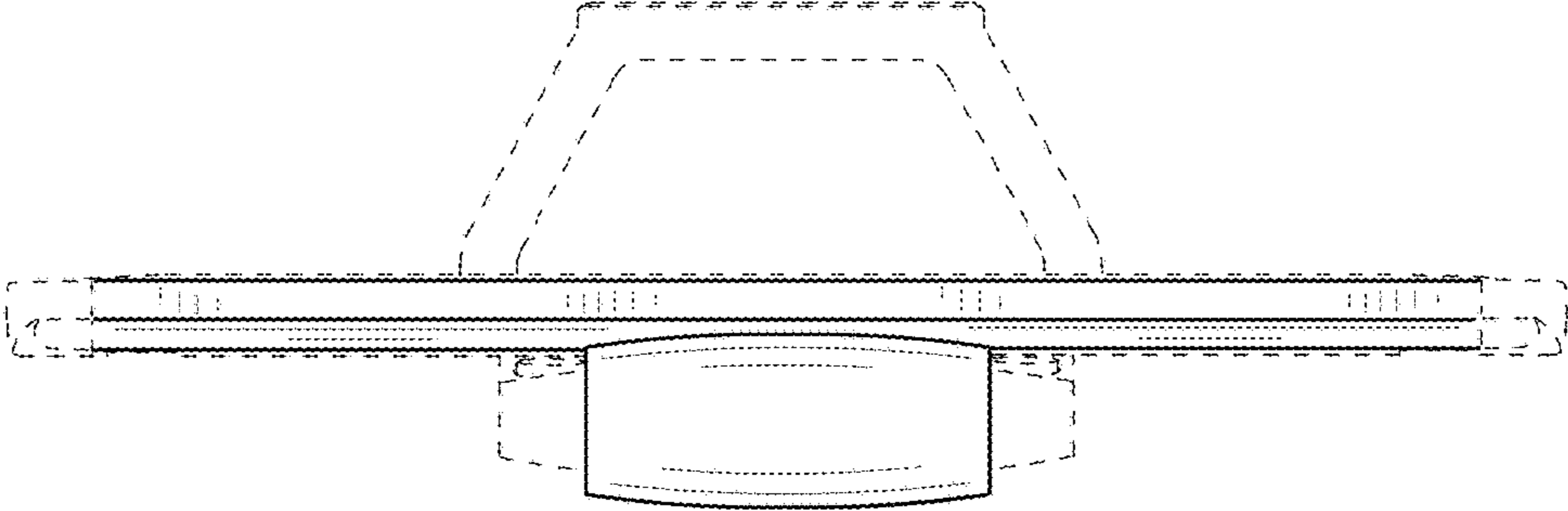


FIG. 3

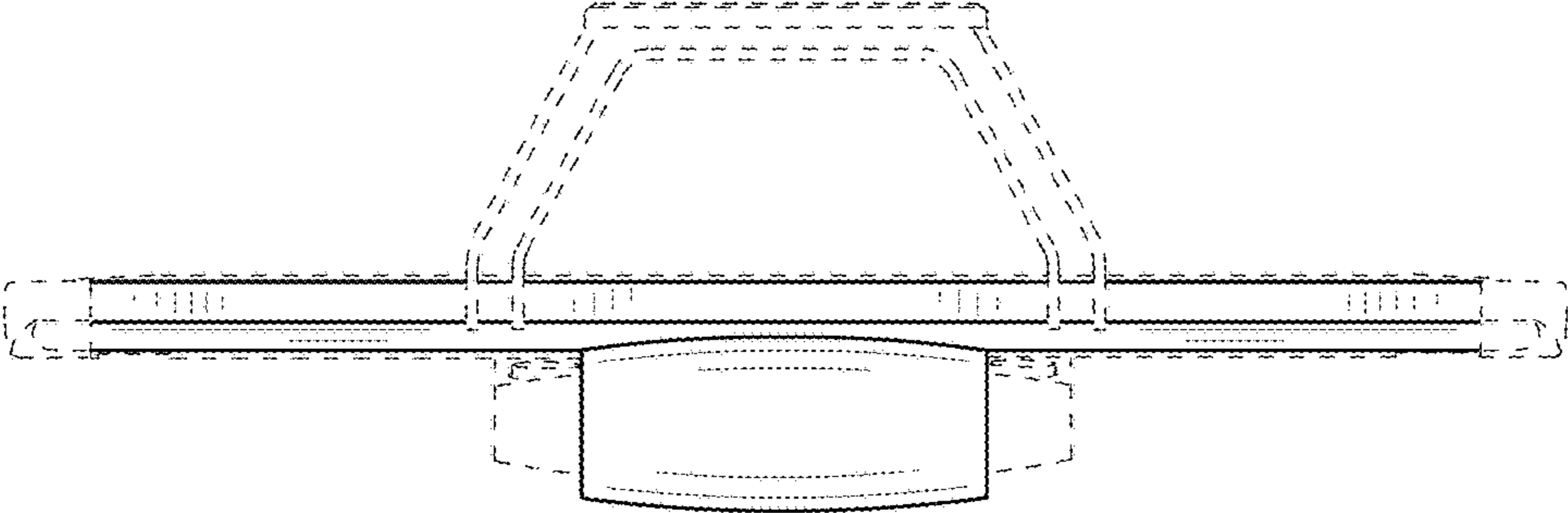


FIG. 4

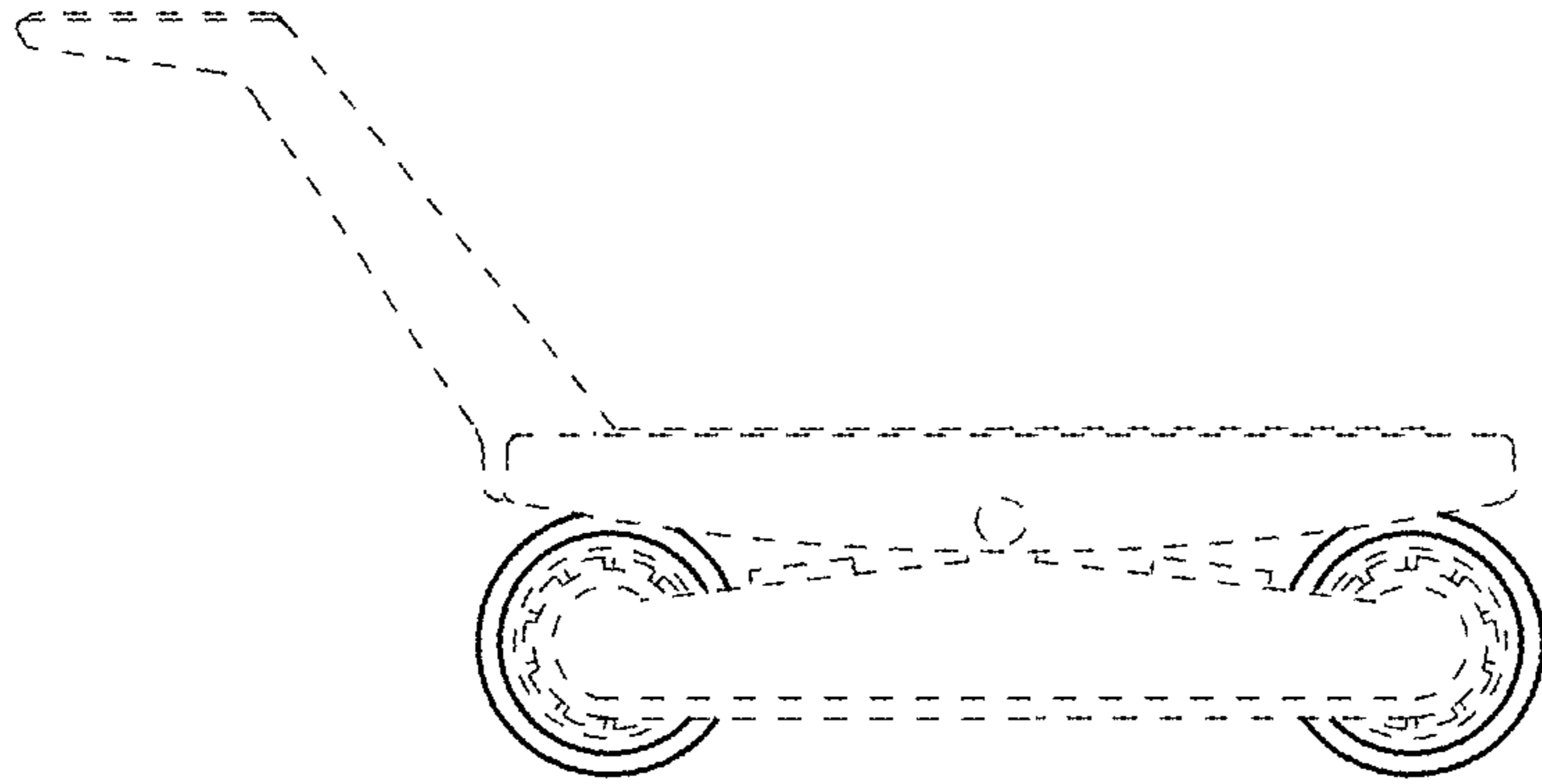


FIG. 5

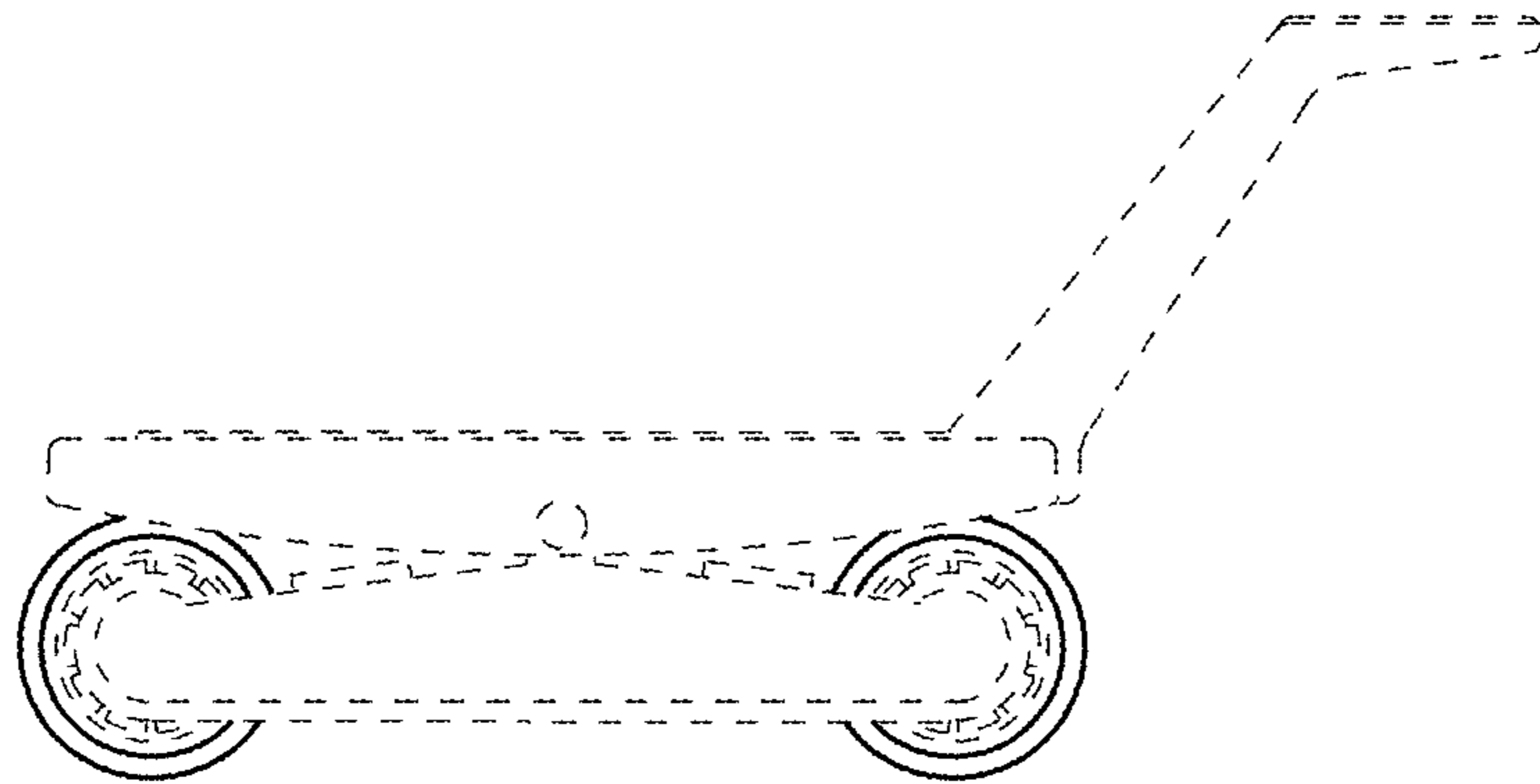


FIG. 6

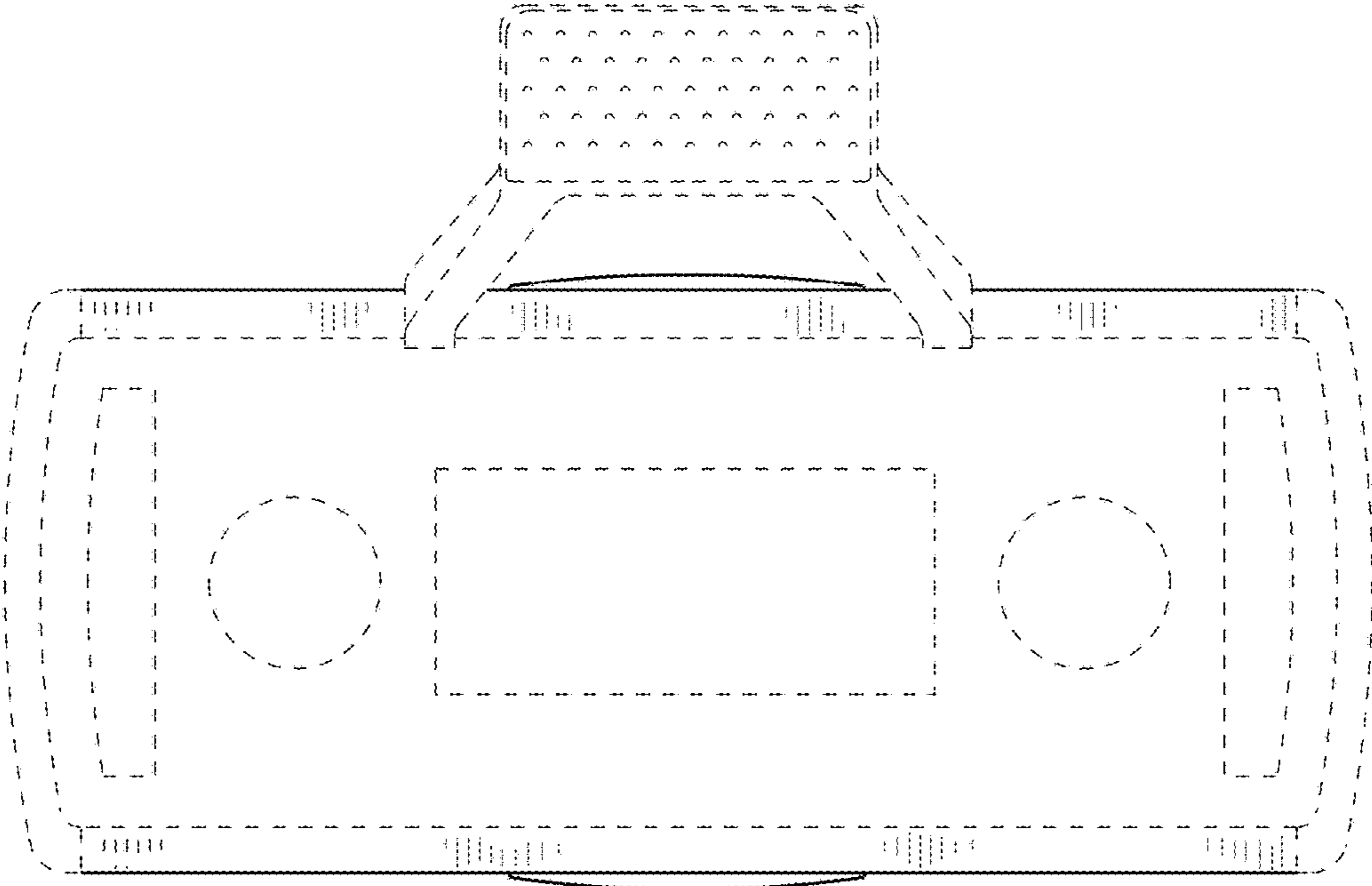


FIG. 7

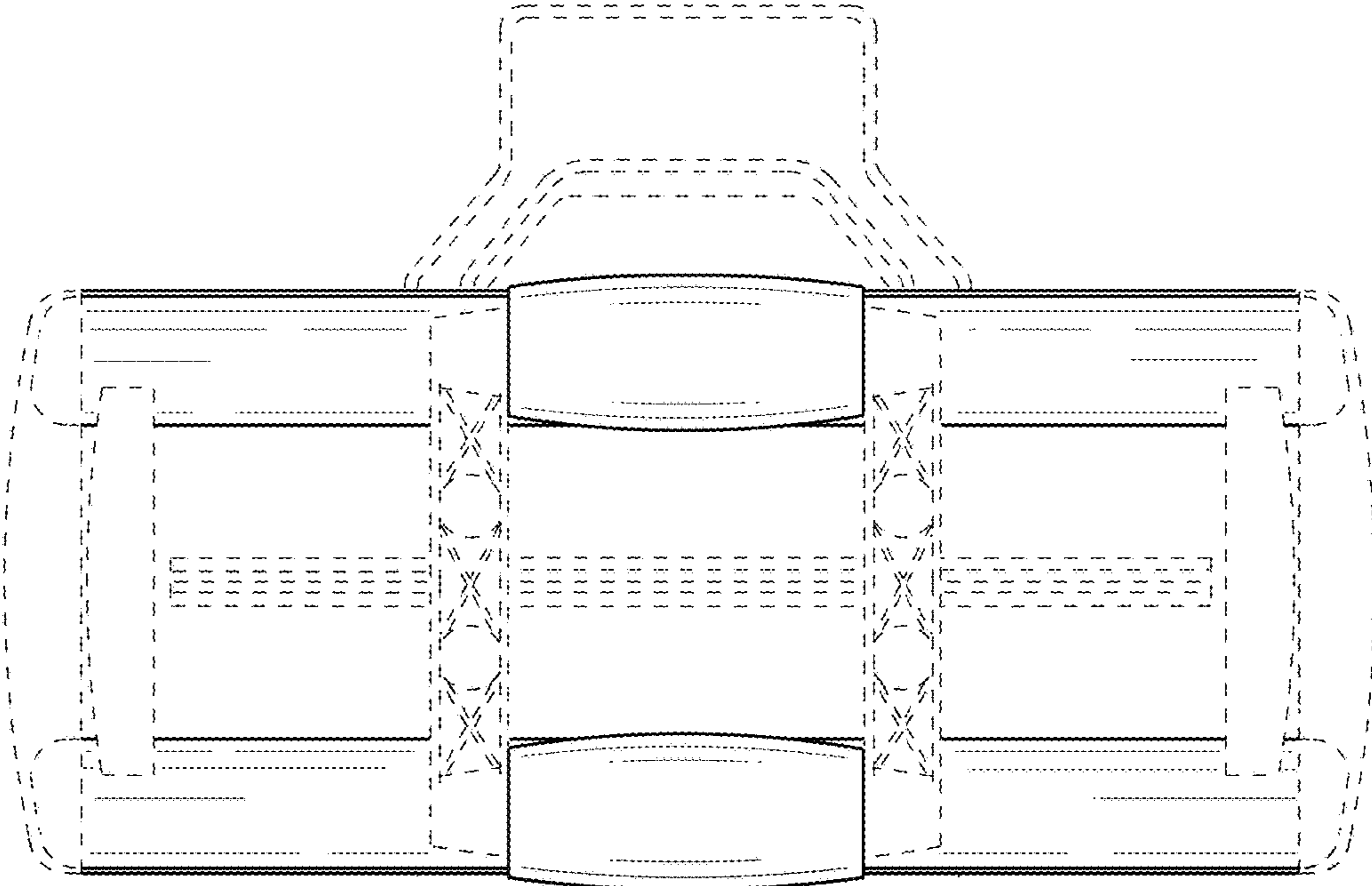


FIG. 8