

US00D797205S

(12) **United States Design Patent** (10) **Patent No.:** **US D797,205 S**
Mortier, Jr. (45) **Date of Patent:** **** Sep. 12, 2017**

(54) **TOY CAR**
(71) Applicant: **Racers Preferred Models LLC**,
Rochester, NY (US)
(72) Inventor: **Robert A Mortier, Jr.**, Rochester, NY
(US)
(73) Assignee: **Racers Preferred Models LLC**,
Rochester, NY (US)

D316,731 S * 5/1991 Tsuchiya D21/550
D317,024 S * 5/1991 Yajima D21/550
D317,485 S * 6/1991 Mochizuki D21/550
D318,888 S * 8/1991 Yoshino D21/550
D465,814 S * 11/2002 Koveleski D21/433
D496,075 S * 9/2004 Byrne D21/550
D513,630 S * 1/2006 Wei D21/550
D567,301 S * 4/2008 Idiot D21/549
D617,851 S * 6/2010 Stoddard D21/549
D672,407 S * 12/2012 Nakayama D21/550
D755,906 S * 5/2016 Newey D21/550

* cited by examiner

(**) Term: **15 Years**
(21) Appl. No.: **29/532,053**

Primary Examiner — Cynthia M Chin
(74) *Attorney, Agent, or Firm* — Phillips Lytle LLP;
David L. Principe

(22) Filed: **Jul. 1, 2015**
(51) **LOC (10) Cl.** **21-01**
(52) **U.S. Cl.**
USPC **D21/549**

(57) **CLAIM**

Applicant claims the ornamental design for a toy car, as shown and described.

(58) **Field of Classification Search**
USPC D21/398, 533, 548, 560, 578–581, 615,
D21/650; 446/154, 164, 231, 233,
446/236–242, 265, 266, 273, 437, 462,
446/465, 470; D12/88, 92, 108
CPC A63H 17/26; A63H 17/262; A63H 17/264;
A63H 17/266; A63H 17/36; A63H 17/38;
A63H 29/00; A63H 29/22; A63H 29/24;
A63H 30/04
See application file for complete search history.

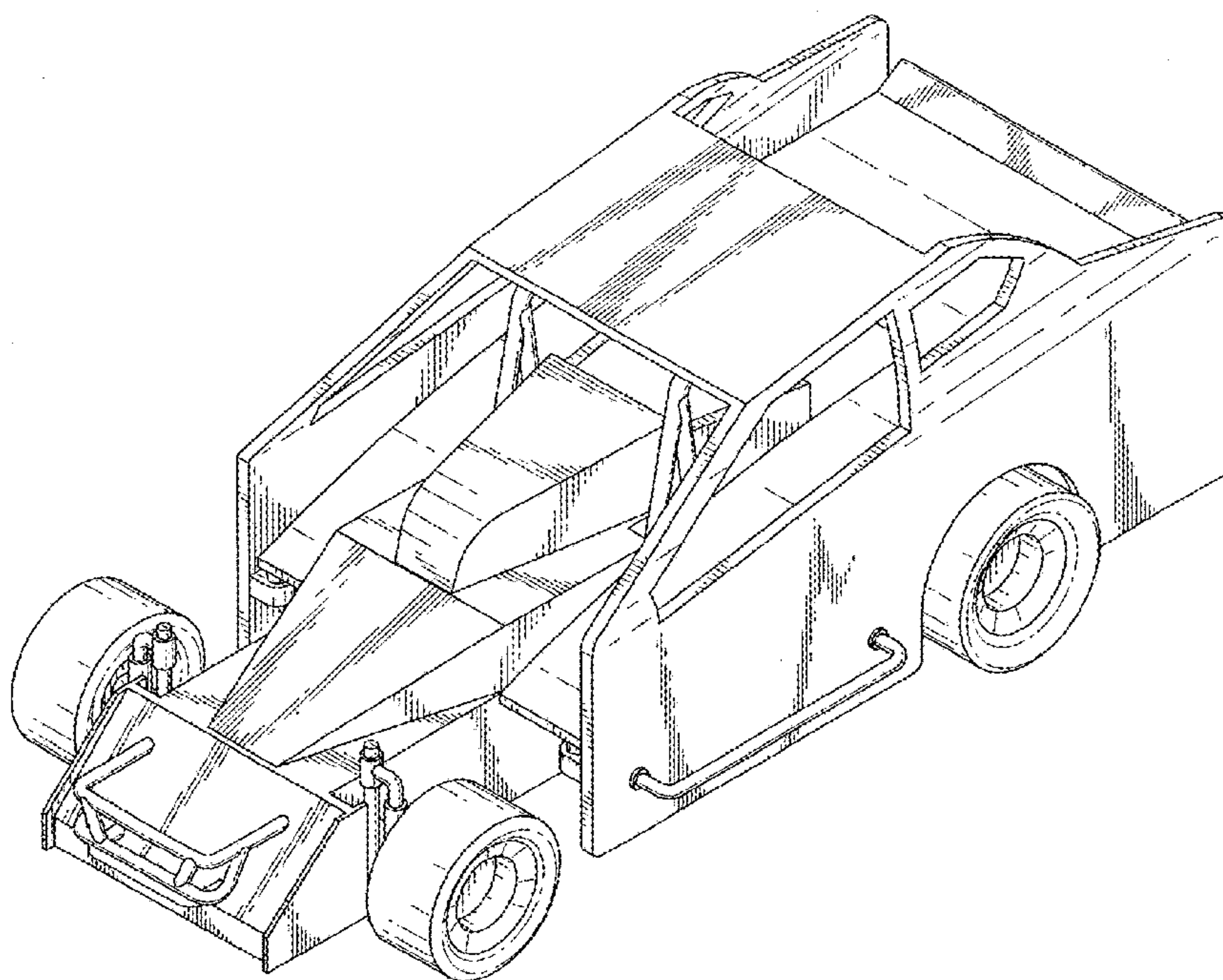
DESCRIPTION

FIG. 1 is a perspective view of the toy car showing the new design.
FIG. 2 is a front elevation view thereof.
FIG. 3 is a rear elevation view thereof.
FIG. 4 is a left side elevation view thereof.
FIG. 5 is a right side elevation view thereof.
FIG. 6 is a top plan view thereof; and,
FIG. 7 is a bottom plan view thereof.
The broken lines are for the purpose of illustrating portions of the article that form no part of the claim.

(56) **References Cited**
U.S. PATENT DOCUMENTS

D311,038 S * 10/1990 Head D21/550
D311,994 S * 11/1990 Tsuji D21/550

1 Claim, 6 Drawing Sheets



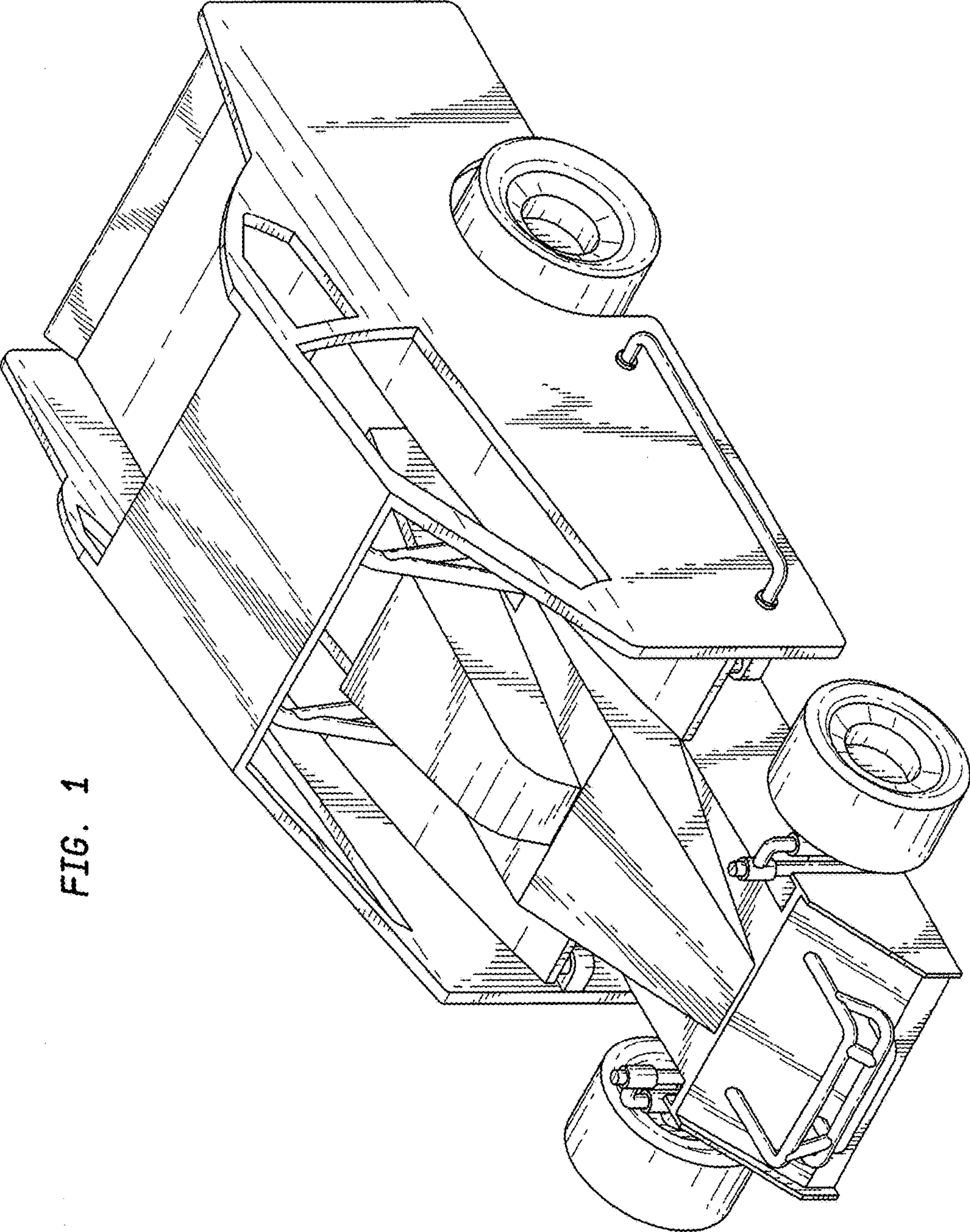


FIG. 1

FIG. 2

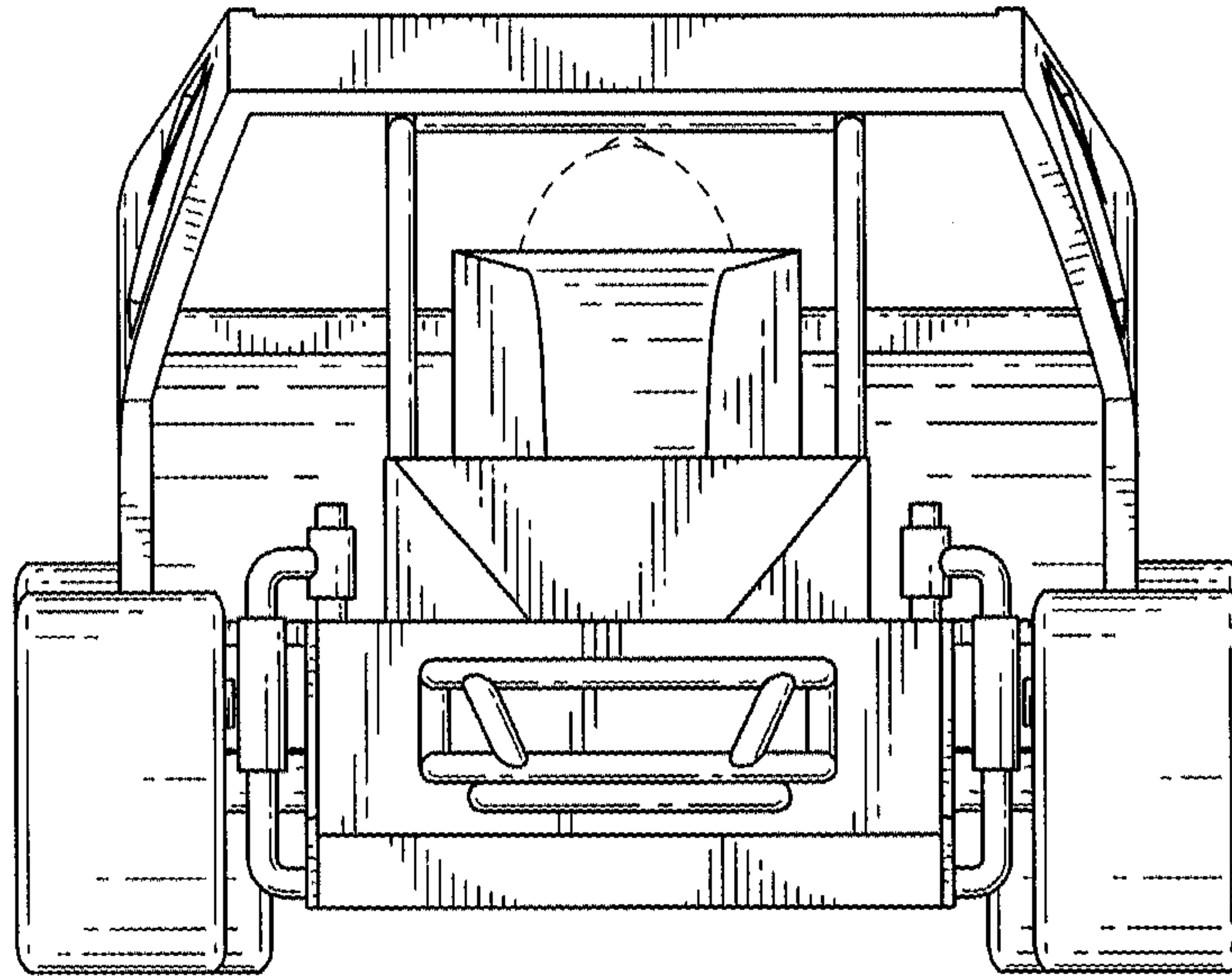


FIG. 3

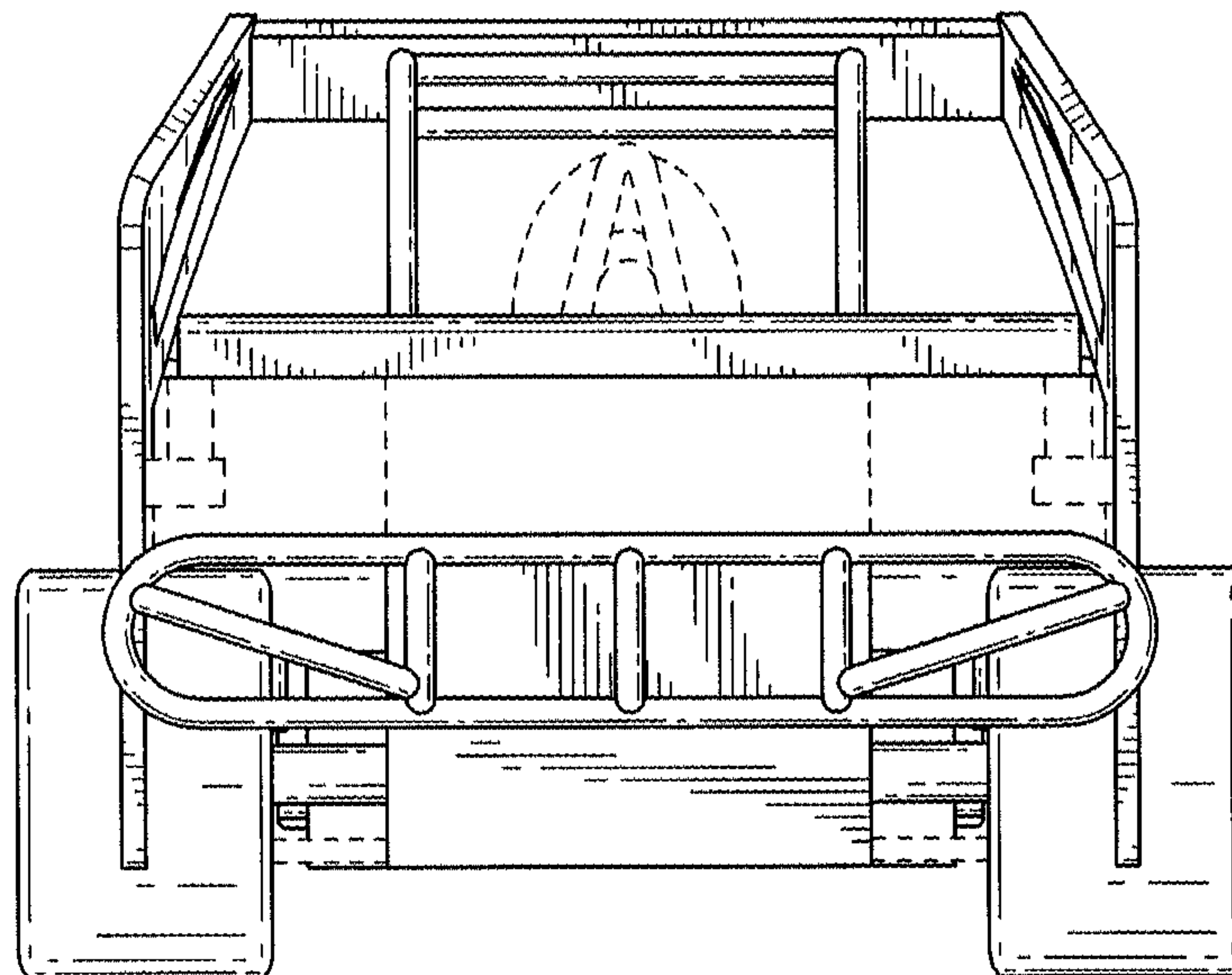


FIG. 4

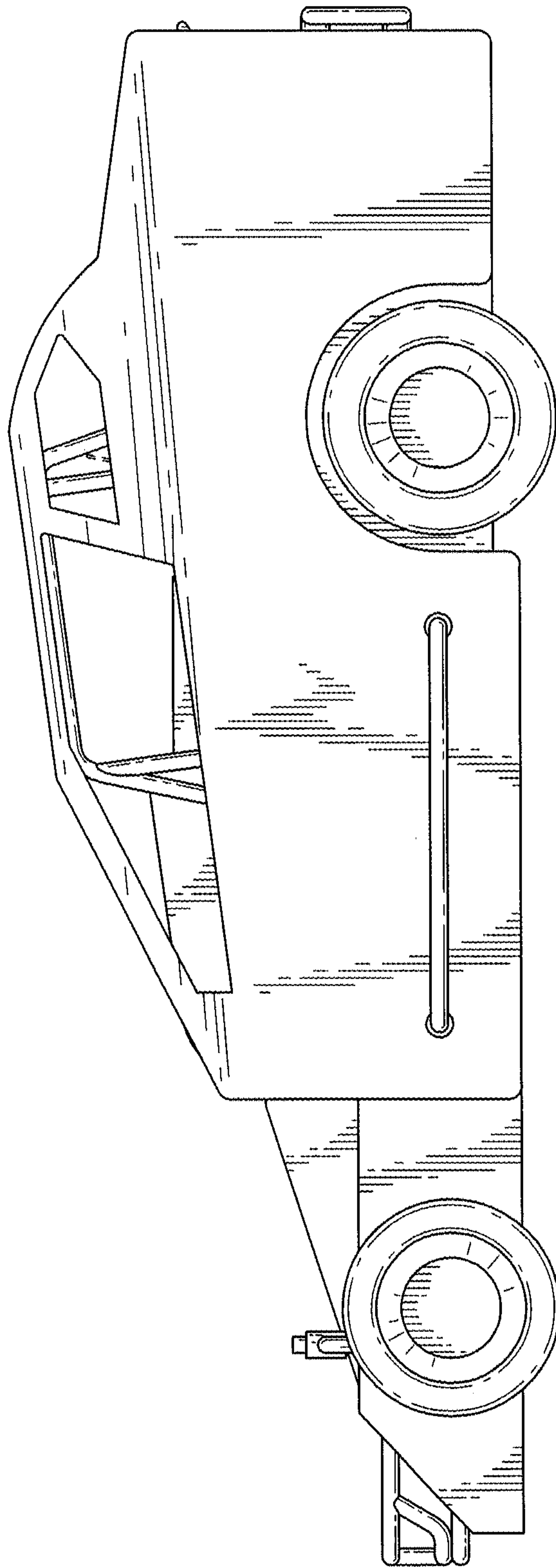


FIG. 5

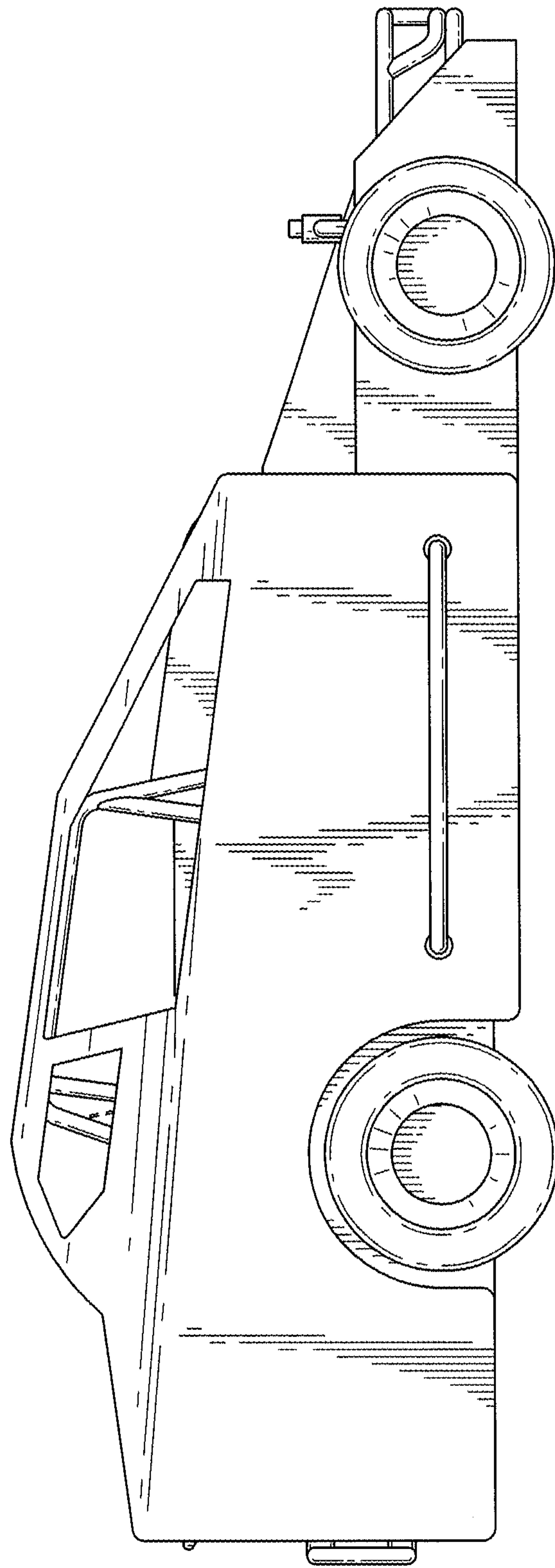


FIG. 6

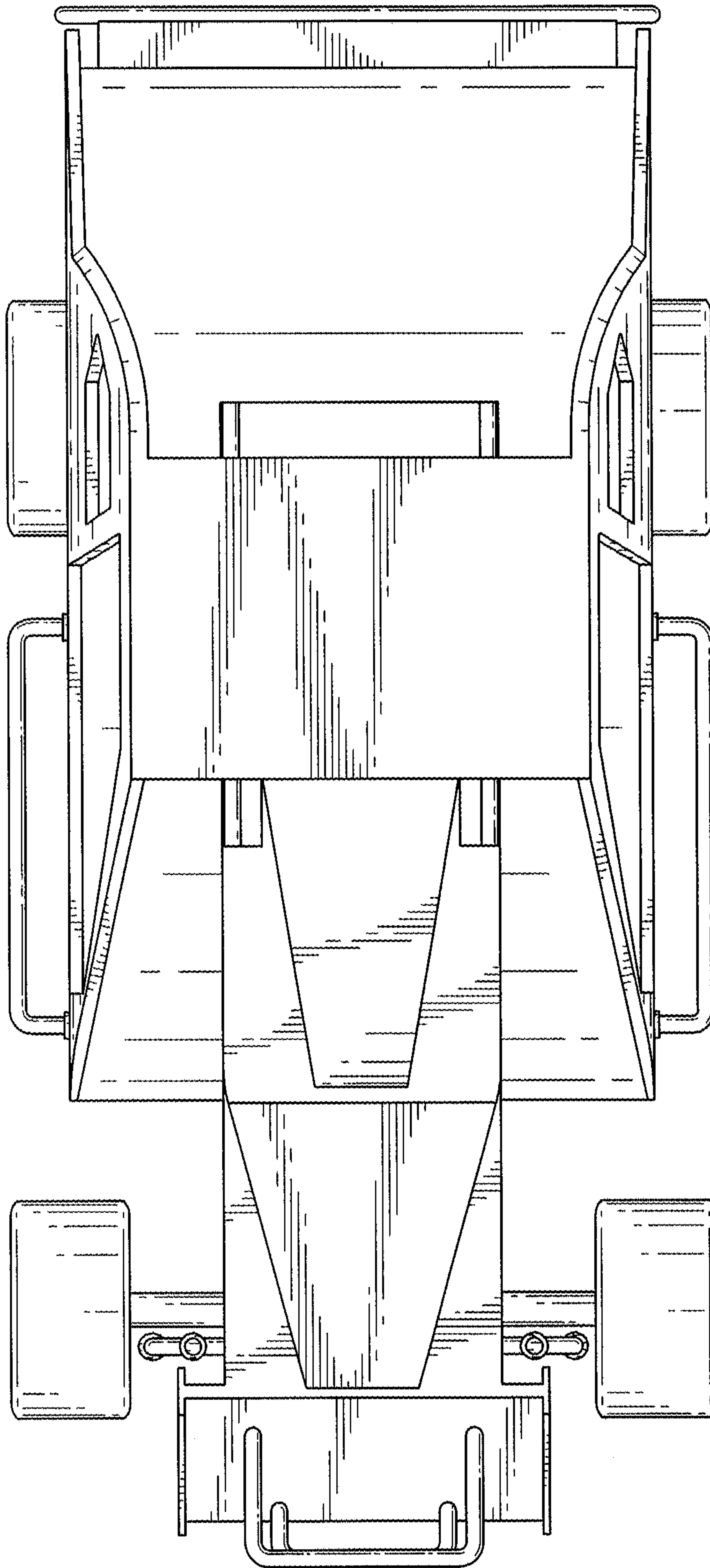


FIG. 7

