

US00D797202S

(12) **United States Design Patent** (10) **Patent No.:** **US D797,202 S**
Tsai (45) **Date of Patent:** **** Sep. 12, 2017**

(54) **FILLING DEVICE FOR WATER BALLOONS**

(71) Applicant: **KE M.O. HOUSE CO., LTD.**,
Shenzhen (CN)

(72) Inventor: **Mo-Tsan Tsai**, Shenzhen (CN)

(73) Assignee: **KE M.O. HOUSE CO., LTD.**,
Shenzhen (CN)

(**) Term: **15 Years**

(21) Appl. No.: **29/559,491**

(22) Filed: **Mar. 29, 2016**

(51) **LOC (10) Cl.** **21-01**

(52) **U.S. Cl.**
USPC **D21/453**

(58) **Field of Classification Search**
USPC 53/79, 284.7, 268; 141/114, 234-248,
141/313, 314, 317, 348; 289/17, 18.1;
383/3, 71; 446/187, 220-226; 137/231;
D21/453; D23/237; D15/7
CPC ... A63H 27/10; B65B 3/28; B65B 3/04; D03J
3/00
See application file for complete search history.

(56) **References Cited**

U.S. PATENT DOCUMENTS

D161,939 S * 2/1951 Kennedy D21/453
4,167,204 A * 9/1979 Zeyra A63B 41/12
137/231

8,307,612 B1 * 11/2012 Sikorcin A63H 27/10
141/114
9,051,066 B1 * 6/2015 Malone A61J 1/10
D739,474 S * 9/2015 Wicken D21/453
9,315,282 B2 * 4/2016 Malone B65B 3/17
D772,946 S * 11/2016 Harter D15/7
2012/0085430 A1 * 4/2012 Johansson A63H 27/10
137/231
2013/0125508 A1 * 5/2013 Honda B65B 1/04
53/268

* cited by examiner

Primary Examiner — Susan E Krakower
Assistant Examiner — Michael Maharajh
(74) *Attorney, Agent, or Firm* — Shimokaji IP

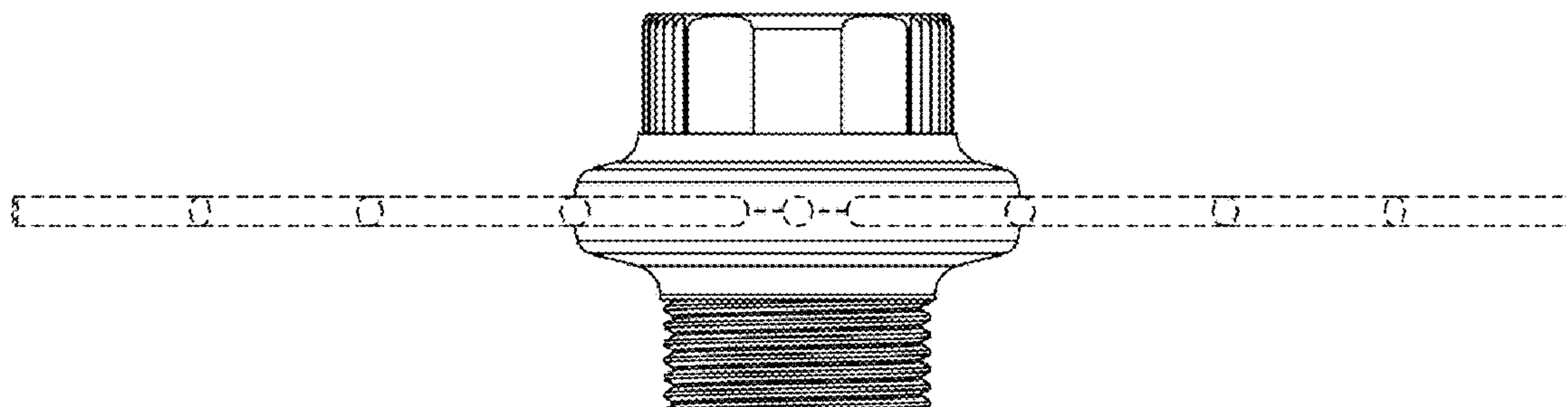
(57) **CLAIM**

The ornamental design for a filling device for water balloons, as shown and described.

DESCRIPTION

FIG. 1 is a front view of the filling device for water balloons showing my new design;
FIG. 2 is a left side thereof;
FIG. 3 is a top plan view thereof;
FIG. 4 is a bottom plan view thereof;
FIG. 5 is a top perspective view thereof; and,
FIG. 6 is a bottom perspective view thereof.
The broken lines shown in the figures are for the purpose of illustrating portions of the filling device for water balloons, and form no part of the claimed design.

1 Claim, 4 Drawing Sheets



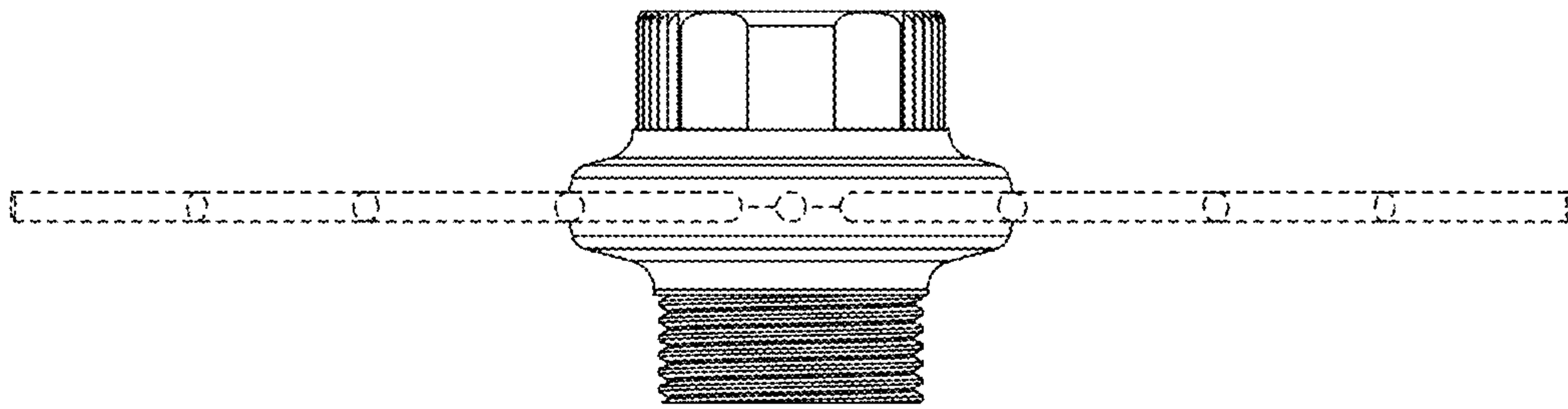


FIG.1

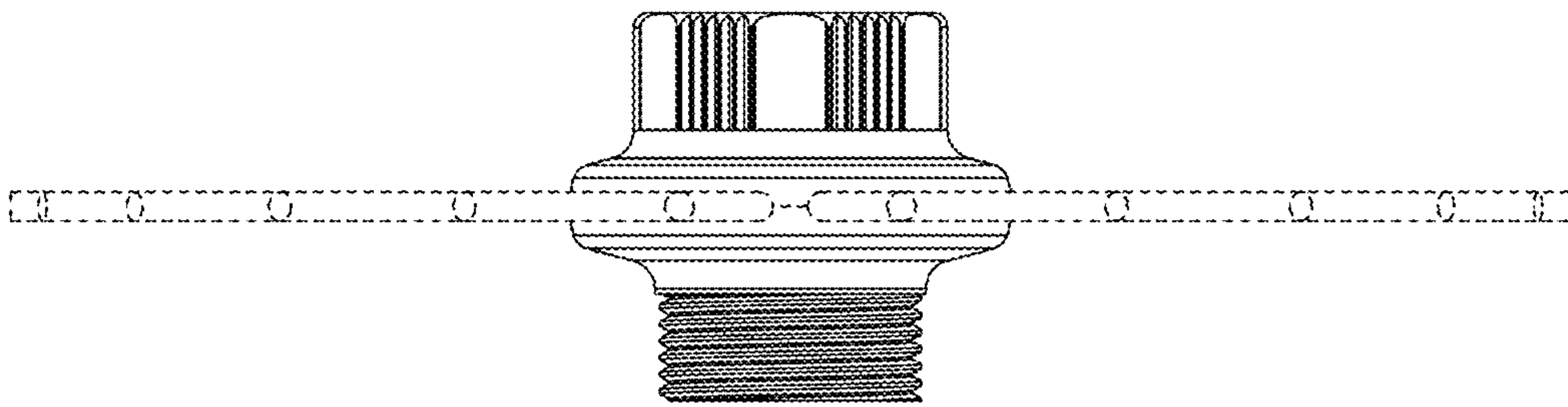


FIG.2

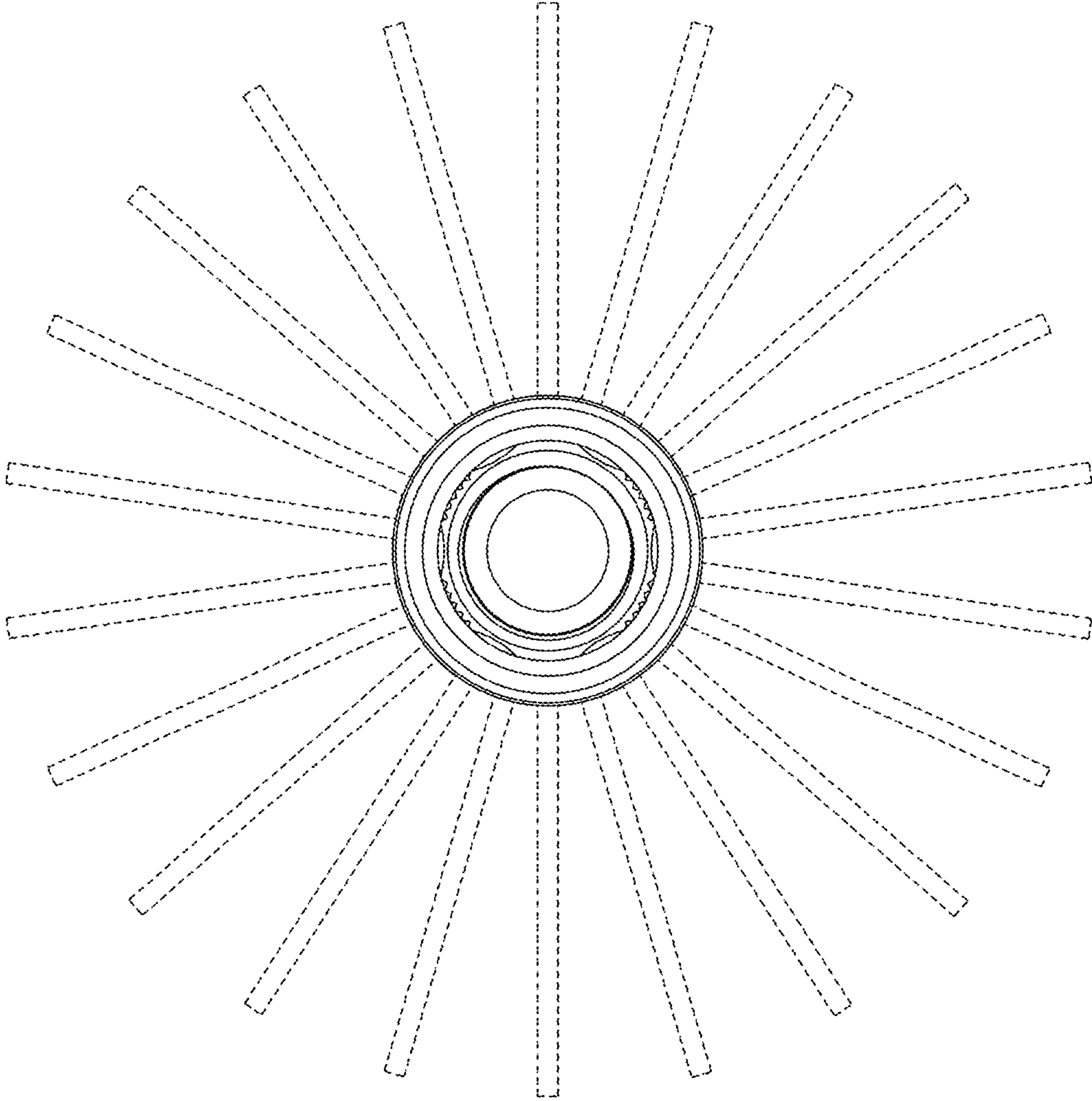


FIG.3

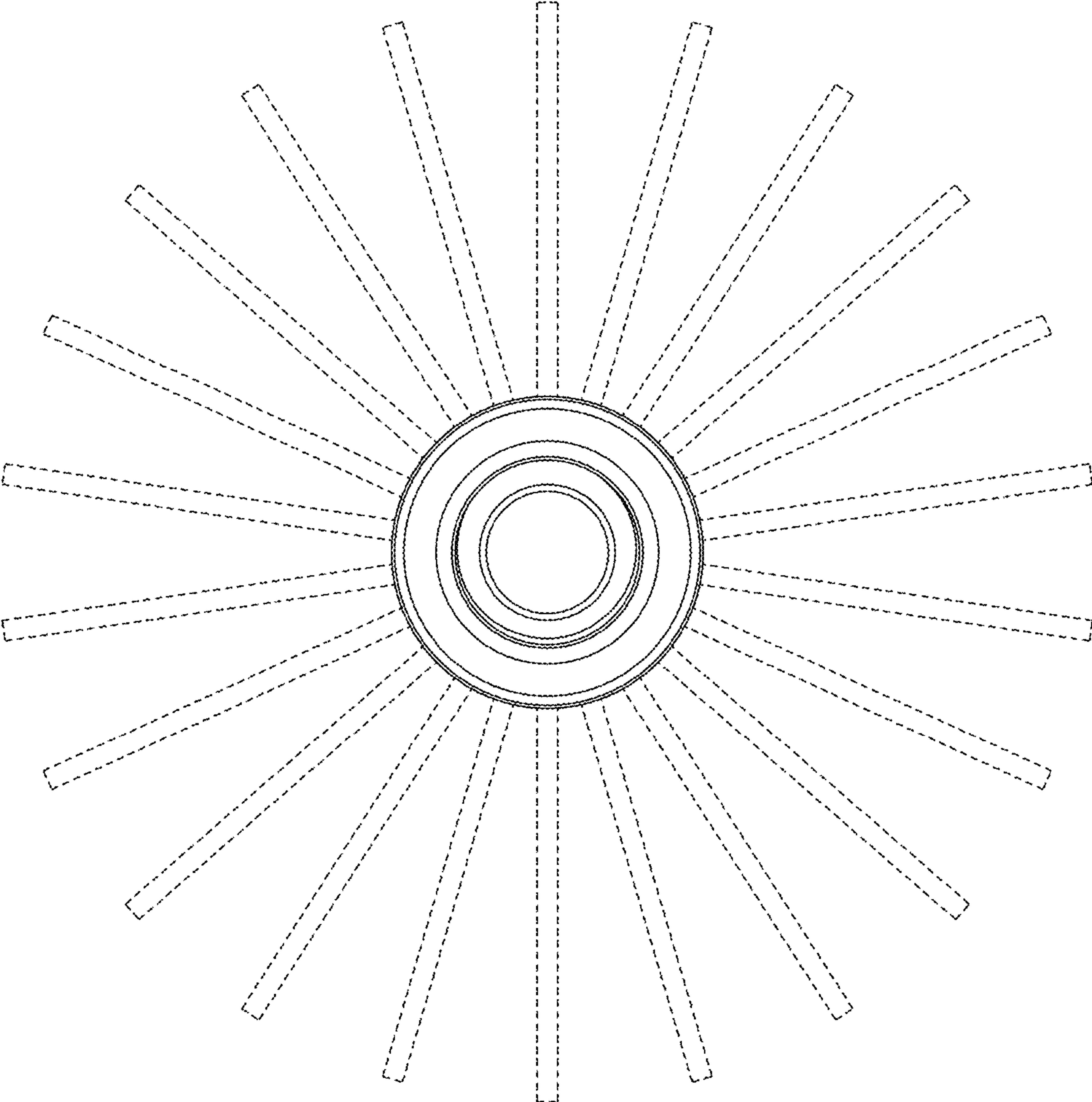


FIG.4

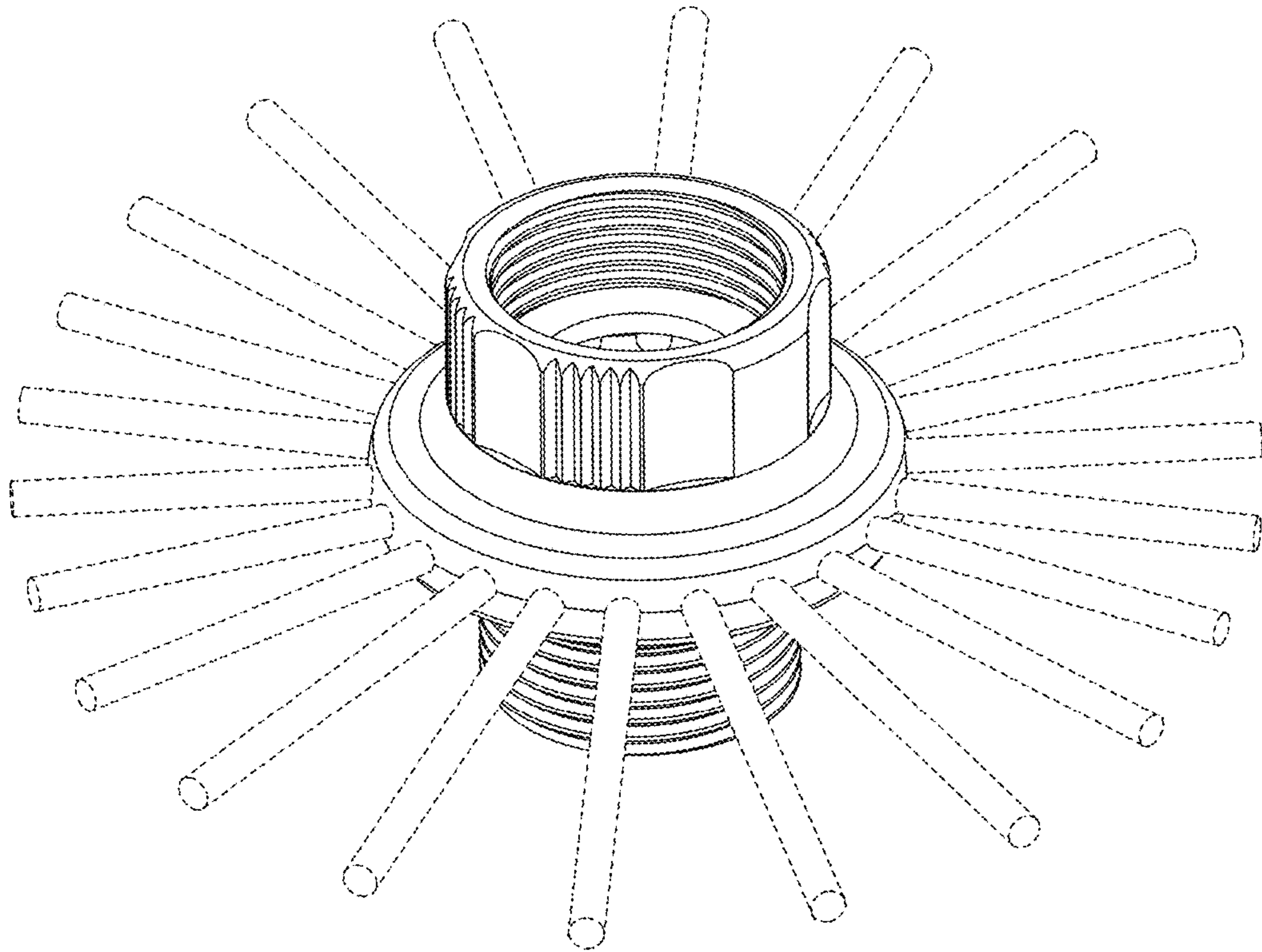


FIG.5

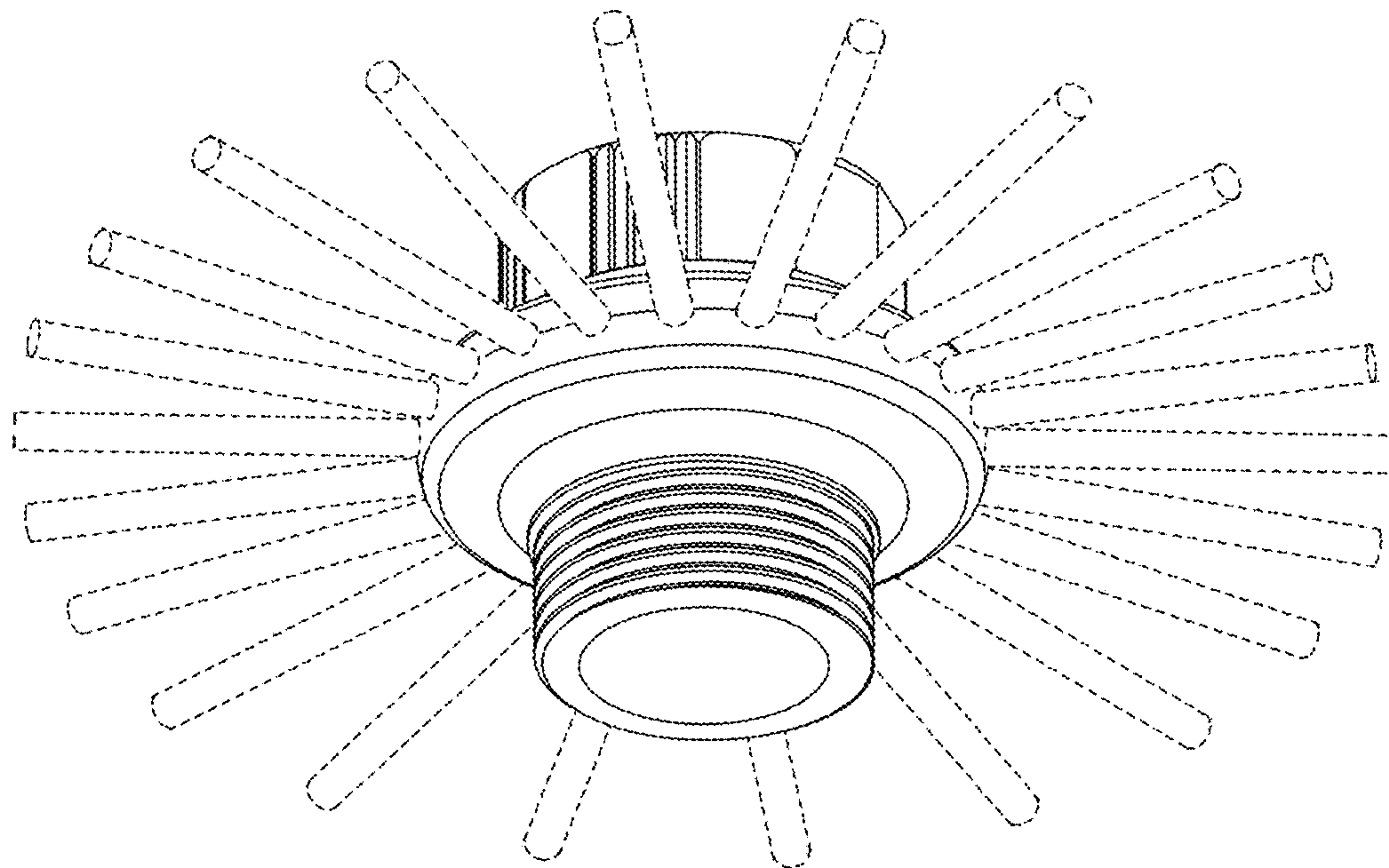


FIG.6