



US00D797201S

(12) **United States Design Patent**
Wu

(10) **Patent No.:** **US D797,201 S**

(45) **Date of Patent:** **** Sep. 12, 2017**

- (54) **TODDLER WALKER**
- (71) Applicant: **TCV INDUSTRIAL CO., LTD.**,
Kaohsiung (TW)
- (72) Inventor: **Tung-Chiao Wu**, Kaohsiung (TW)
- (73) Assignee: **TCV INDUSTRIAL CO., LTD.**,
Kaohsiung (TW)

D629,049 S *	12/2010	McFarland	B62K 9/00	D12/111
D659,597 S *	5/2012	Chen	D21/432	
D668,586 S *	10/2012	Golias	D21/432	
D695,847 S *	12/2013	Liu	D12/111	
D729,700 S *	5/2015	De Roeck	D21/432	
D735,620 S *	8/2015	Pape	D21/432	
2004/0201199 A1 *	10/2004	Liebetrau	B62H 7/00	280/278
2007/0238585 A1 *	10/2007	Mondello	A63B 69/16	482/57

(**) Term: **15 Years**

(21) Appl. No.: **29/570,174**

(22) Filed: **Jul. 6, 2016**

(30) **Foreign Application Priority Data**

Jan. 6, 2016 (TW) 105300045

(51) **LOC (10) Cl.** **21-01**

(52) **U.S. Cl.**
USPC **D21/432**

(58) **Field of Classification Search**
USPC D21/419, 421, 423, 426-428, 435,
D21/668-671, 760, 765, 771; D12/1, 8,
D12/108, 111, 112, 113

CPC . B62K 3/002; B62K 9/00; B62K 9/02; B62K
13/00; B62K 2202/00

See application file for complete search history.

(56) **References Cited**

U.S. PATENT DOCUMENTS

D512,664 S *	12/2005	Schreier	D12/111
D561,649 S *	2/2008	Latham	D12/111

* cited by examiner

Primary Examiner — Cynthia M Chin

(74) *Attorney, Agent, or Firm* — Muncy, Geissler, Olds & Lowe, P.C.

(57) **CLAIM**

I claim the ornamental design for a toddler walker, as shown and described.

DESCRIPTION

FIG. 1 is a perspective view of a toddler walker showing the new design;

FIG. 2 is a front elevational view thereof;

FIG. 3 is a rear elevational view thereof;

FIG. 4 is a left side elevational view thereof;

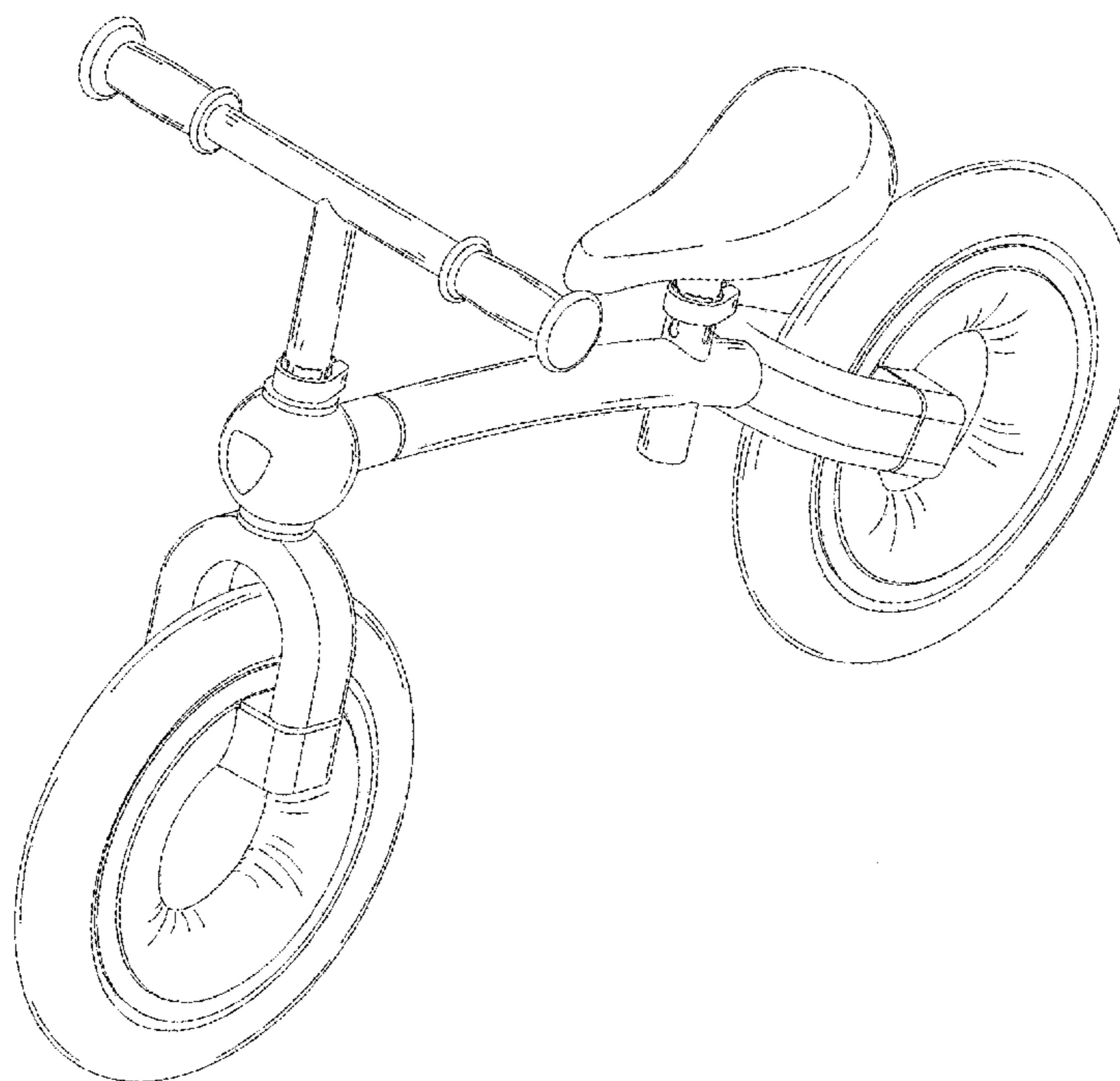
FIG. 5 is a right side elevational view thereof;

FIG. 6 is a top plan view thereof; and,

FIG. 7 is a bottom plan view thereof.

This design is a toddler walker, which may assist a toddler to learn walk and balance.

1 Claim, 7 Drawing Sheets



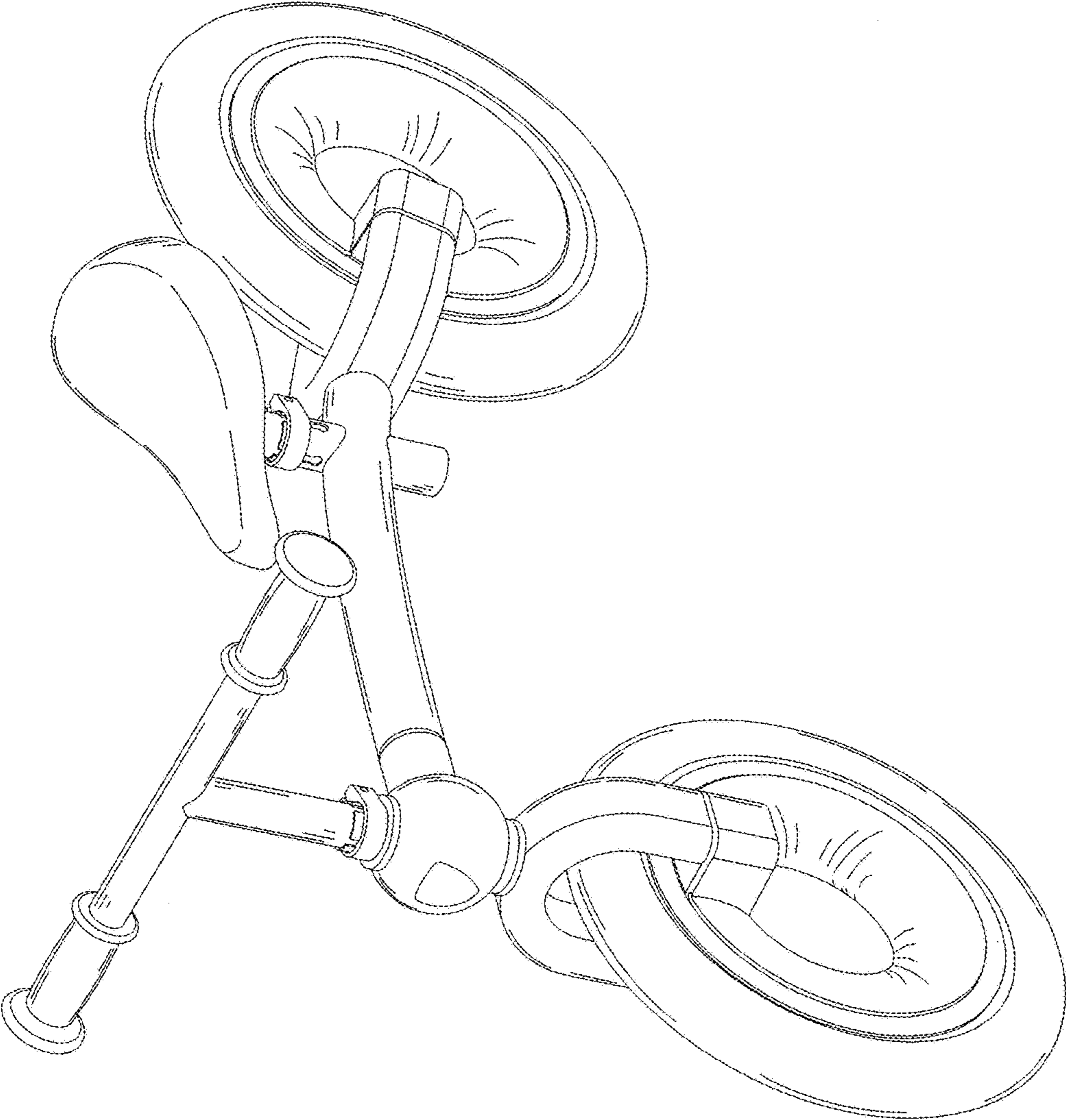


FIG. 1

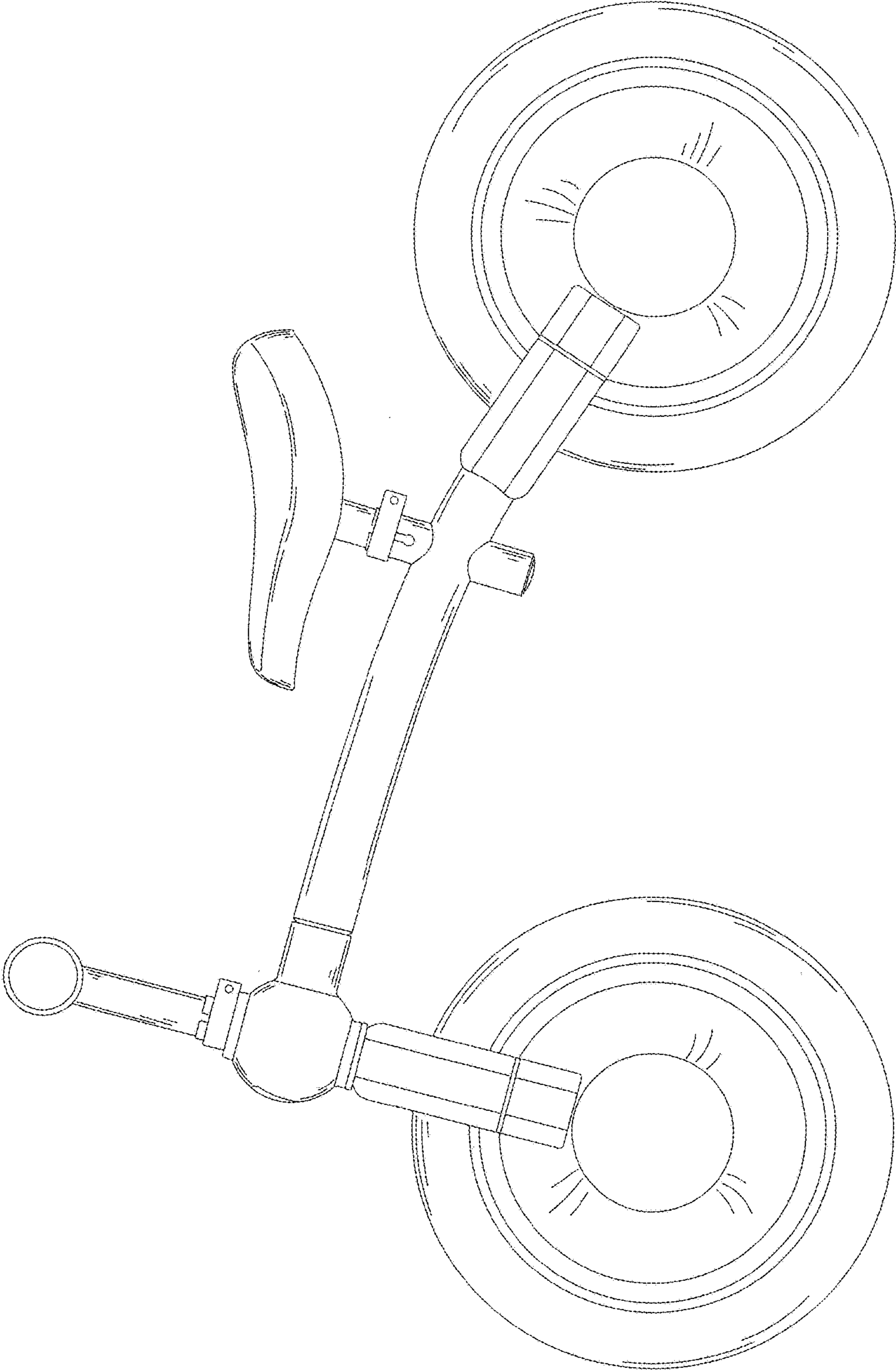


FIG. 2

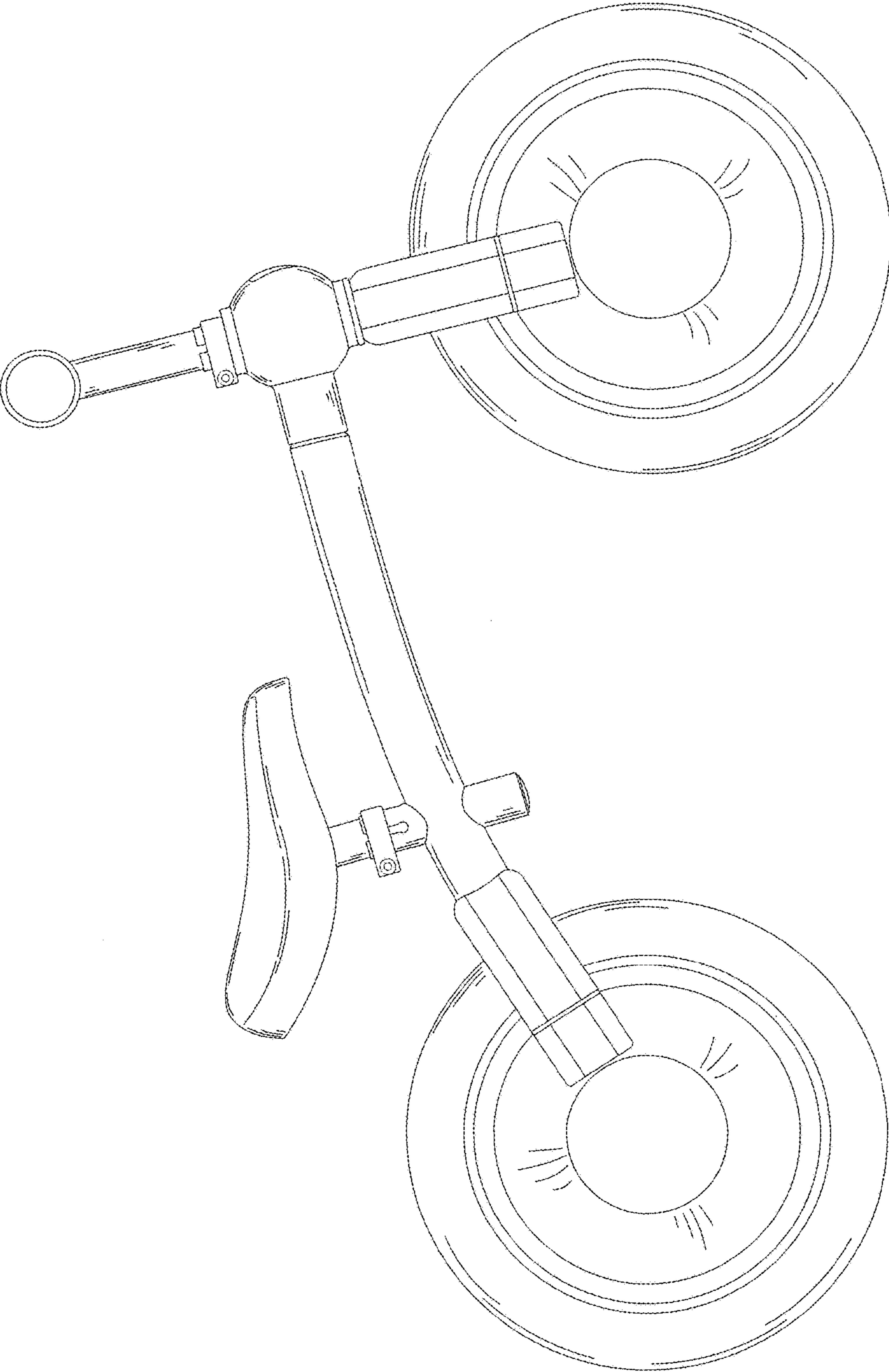


FIG. 3

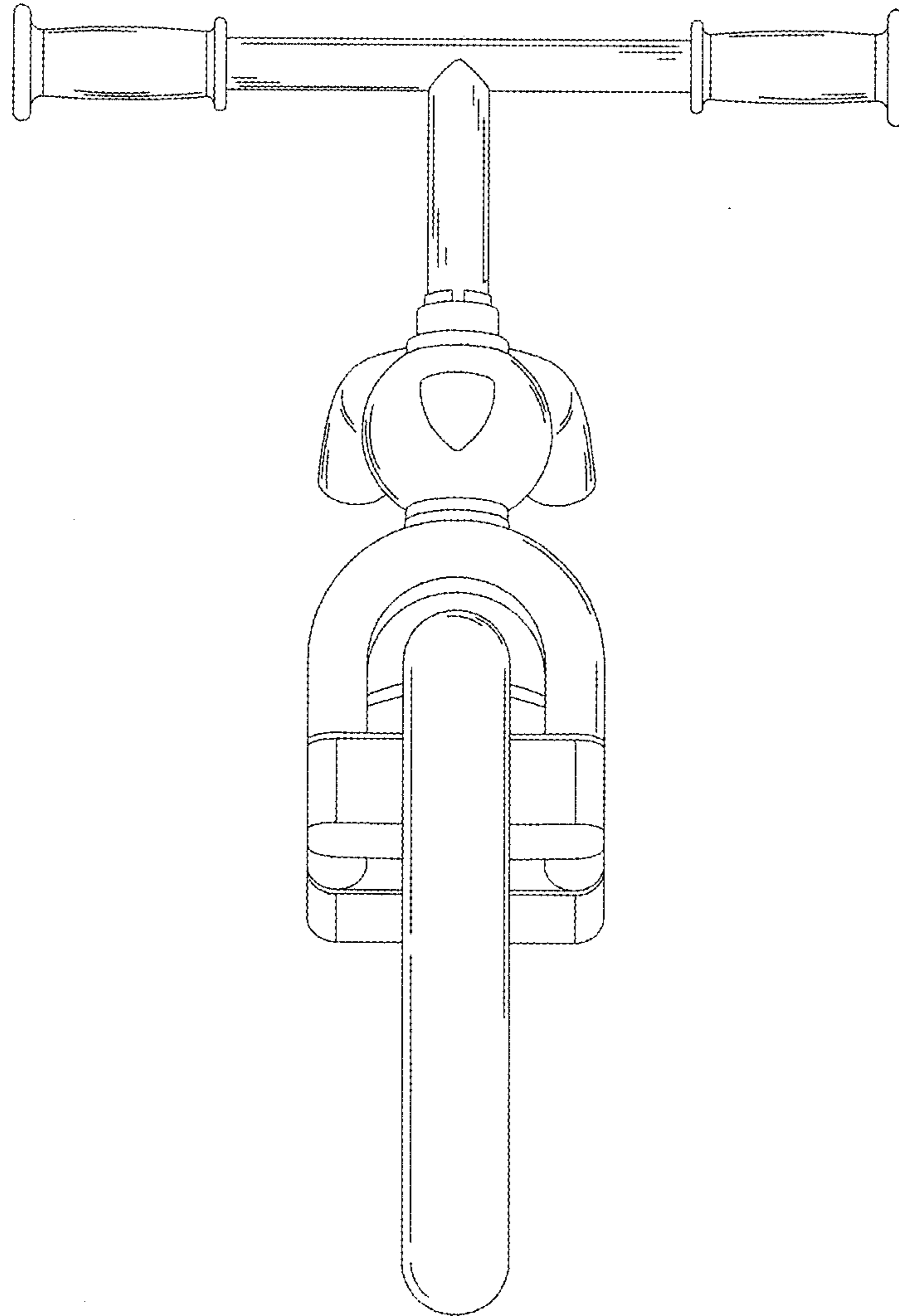


FIG. 4

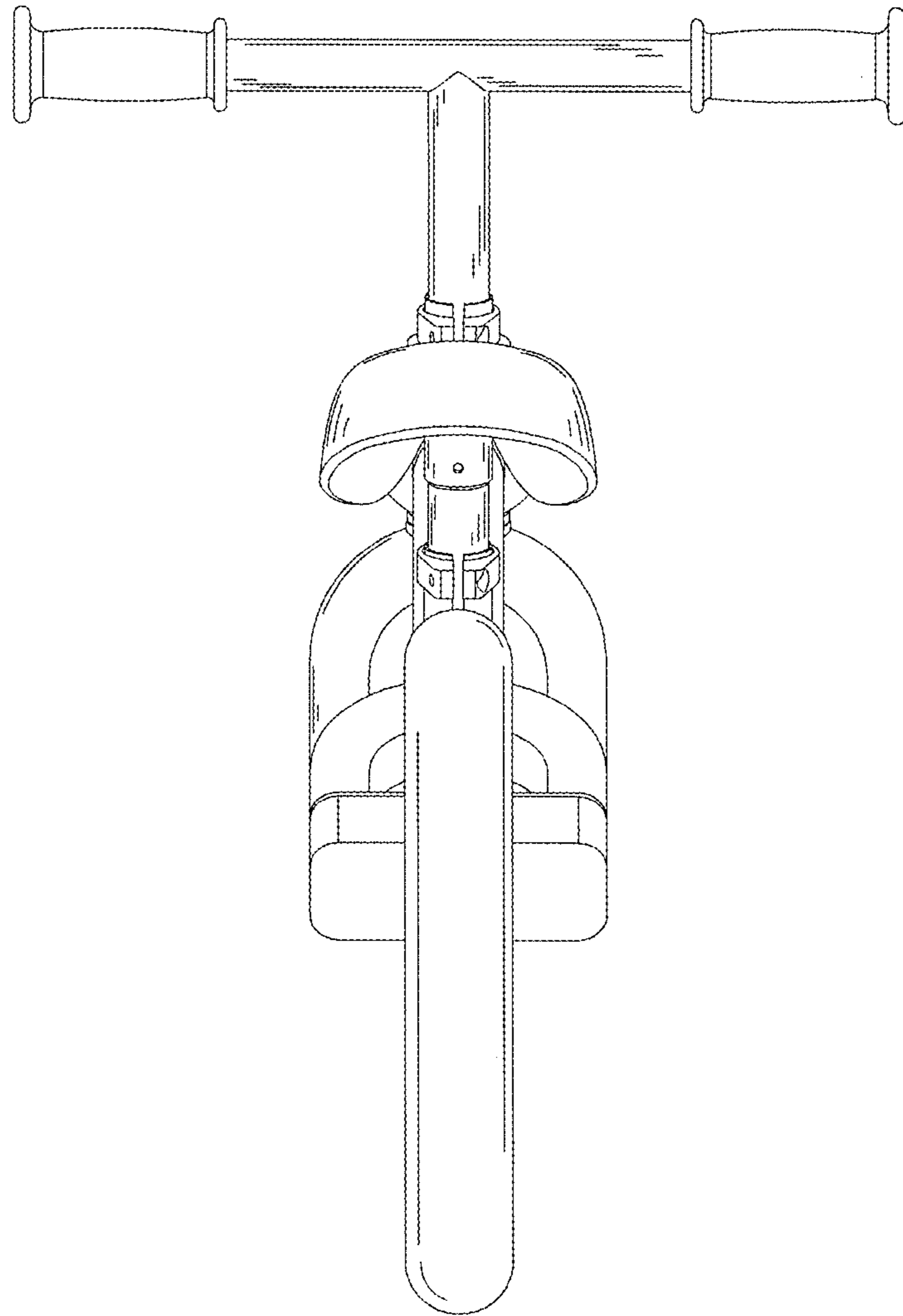


FIG. 5

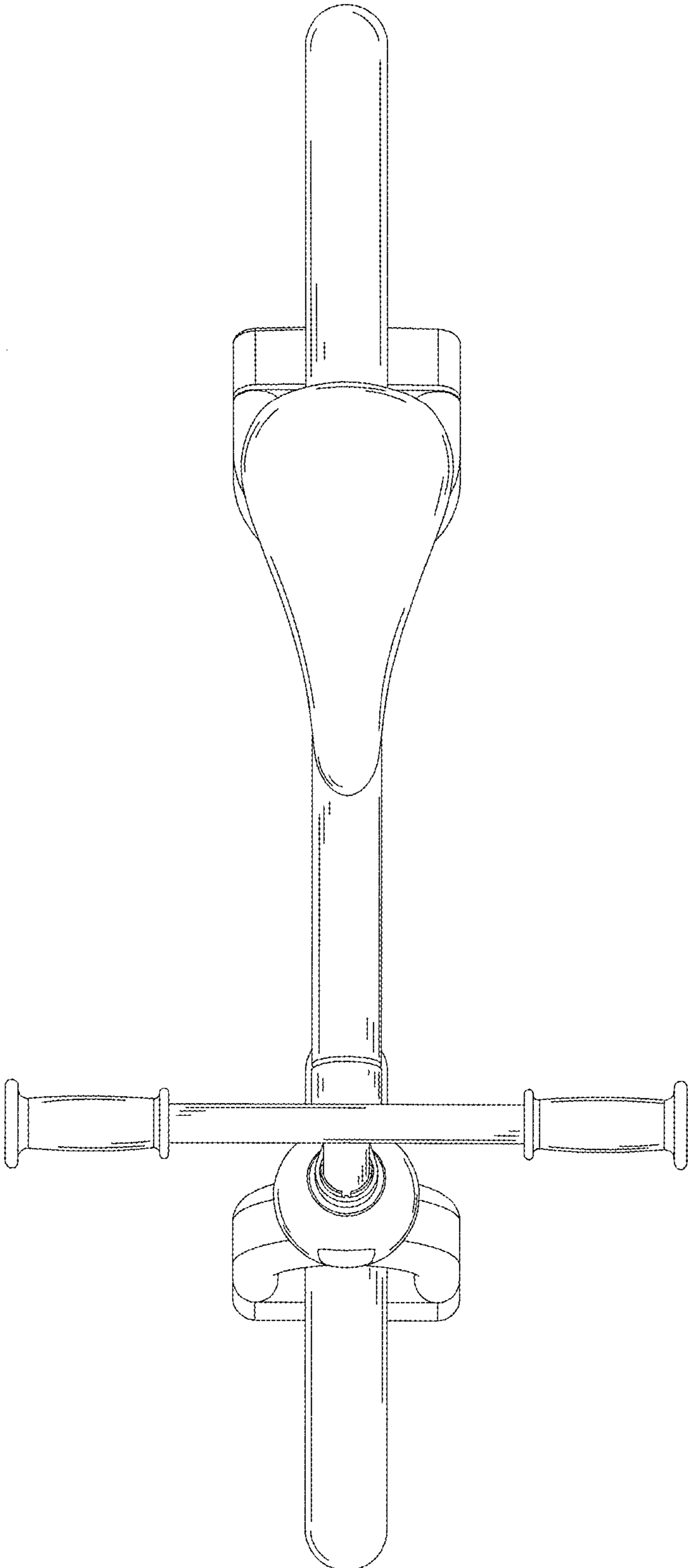


FIG. 6

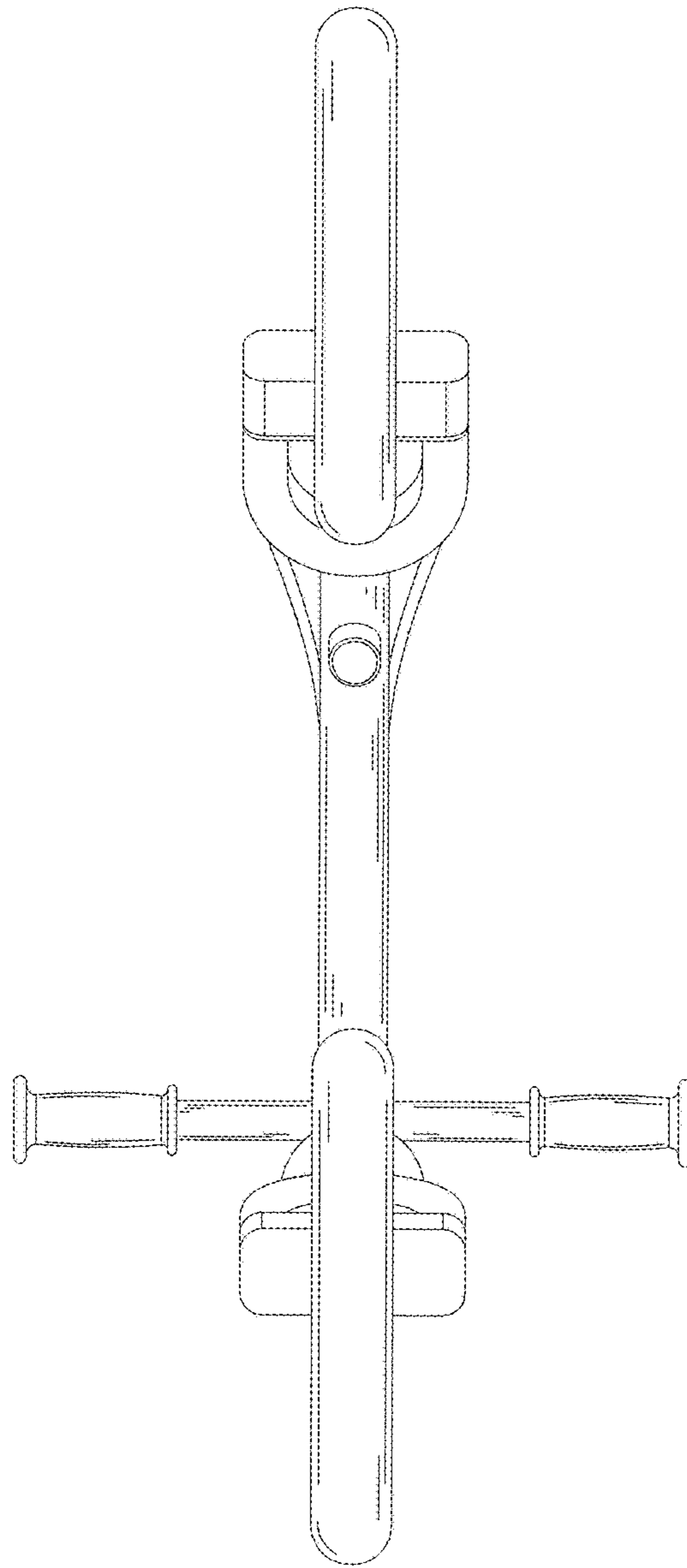


FIG. 7