



US00D797199S

(12) **United States Design Patent** (10) **Patent No.:** **US D797,199 S**
Ratner et al. (45) **Date of Patent:** **** Sep. 12, 2017**

- (54) **MOTOR SCOOTER**
- (71) Applicant: **eURBAN, LLC**, Santa Monica, CA (US)
- (72) Inventors: **Donald Gary Ratner**, Marina Del Rey, CA (US); **Alan Edward Shapiro**, Pacific Palisades, CA (US); **Dale Gregory Seiden**, Marina Del Rey, CA (US)
- (73) Assignee: **Ojo Electric LLC**, Santa Monica, CA (US)
- (**) Term: **15 Years**
- (21) Appl. No.: **29/571,034**
- (22) Filed: **Jul. 14, 2016**
- (51) **LOC (10) Cl.** **21-01**
- (52) **U.S. Cl.**
USPC **D21/423**
- (58) **Field of Classification Search**
USPC D21/419, 421, 423, 426-428, 435, 760, D21/765, 771; D12/1, 8, 108, 112, 113
CPC . B62K 3/002; B62K 9/00; B62K 9/02; B62K 13/00; B62K 2202/00
See application file for complete search history.

- 4,606,548 A * 8/1986 Little B62B 13/04 280/14.28
- D286,521 S 11/1986 Tanaka et al.
- D287,834 S 1/1987 Ito et al.
- D290,824 S 7/1987 Miura et al.
- D295,991 S 5/1988 Hanna et al.
- 4,842,091 A * 6/1989 Badsey B62K 3/002 180/181
- D314,166 S 1/1991 Shively et al.
- D410,058 S * 5/1999 Friend D21/423
- D433,718 S 11/2000 McGreen
- D439,623 S 3/2001 Barrera
- D446,258 S 8/2001 Wang
- D447,187 S 8/2001 Powers
- D452,886 S 1/2002 Wang et al.
- D453,198 S 1/2002 Dudley
- D456,460 S 4/2002 Tseng
- D457,197 S 5/2002 Becker
- D459,405 S 6/2002 Badsey
- D490,750 S 6/2004 Hoshino

(Continued)

Primary Examiner — Cynthia M Chin

(74) Attorney, Agent, or Firm — Lance M. Pritikin

(57) **CLAIM**

The ornamental design for a motor scooter, as shown and described.

DESCRIPTION

FIG. 1 is a top-front perspective view of the motor scooter, showing our new design;

FIG. 2 is a front elevational view thereof;

FIG. 3 is a rear elevational view thereof;

FIG. 4 is a left side elevational view thereof;

FIG. 5 is a right side elevational view thereof;

FIG. 6 is a top plan view thereof;

FIG. 7 is a bottom plan view thereof; and,

FIG. 8 is a top-rear perspective view thereof.

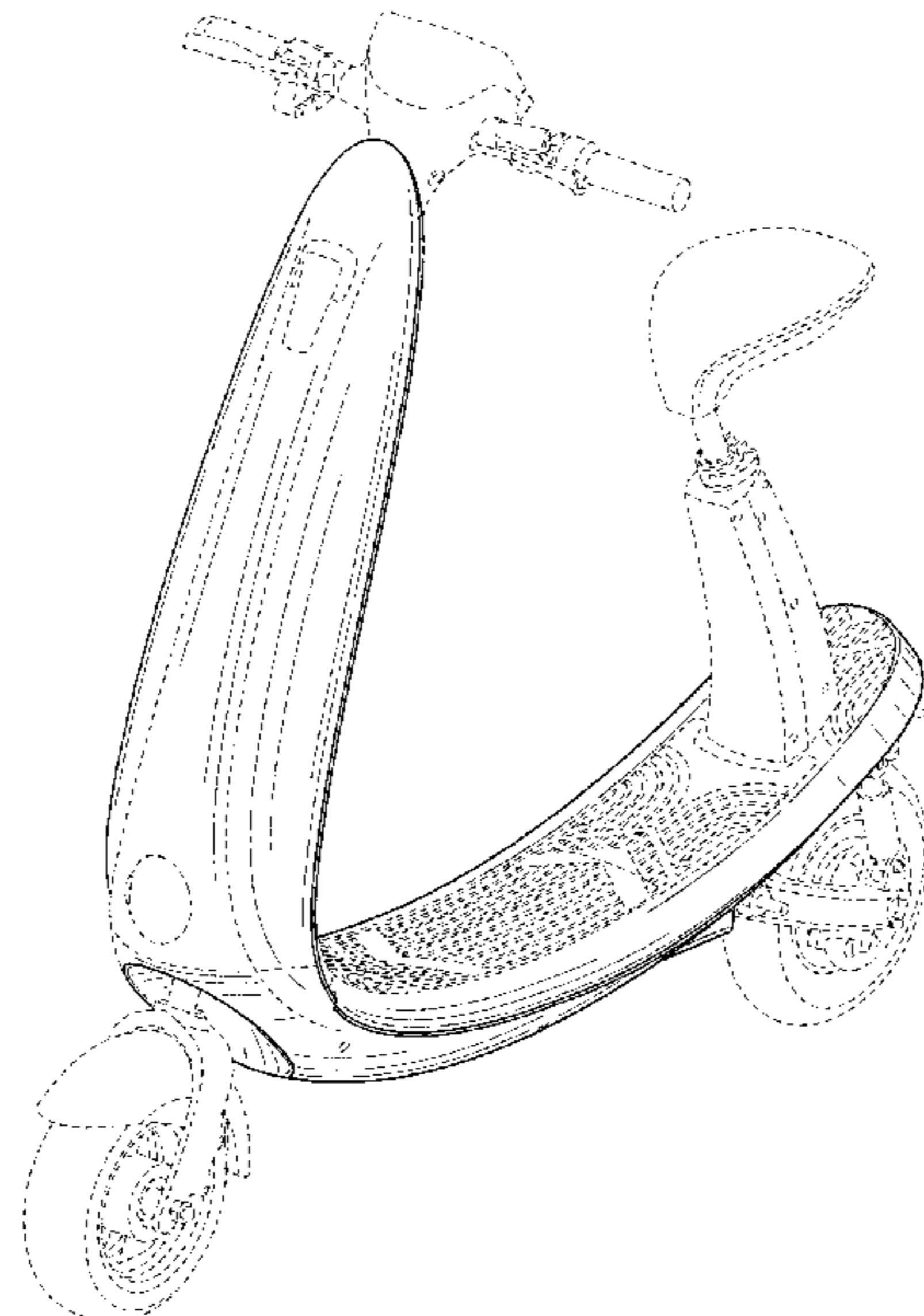
The broken lines are for the purpose of illustrating portions of the article that form no part of the claim.

1 Claim, 8 Drawing Sheets

(56) **References Cited**

U.S. PATENT DOCUMENTS

- D91,256 S * 12/1933 Van Doren et al. 280/87.041
- D106,012 S 9/1937 Adams
- 2,522,744 A * 9/1950 Budd B62B 15/008 211/1
- D176,725 S 1/1956 Laibow et al.
- D256,035 S 7/1980 Lockhart
- 4,342,466 A * 8/1982 Morgan B62K 3/002 16/DIG. 33
- D270,436 S 9/1983 Gaddi
- D273,963 S * 5/1984 Mayers D21/423



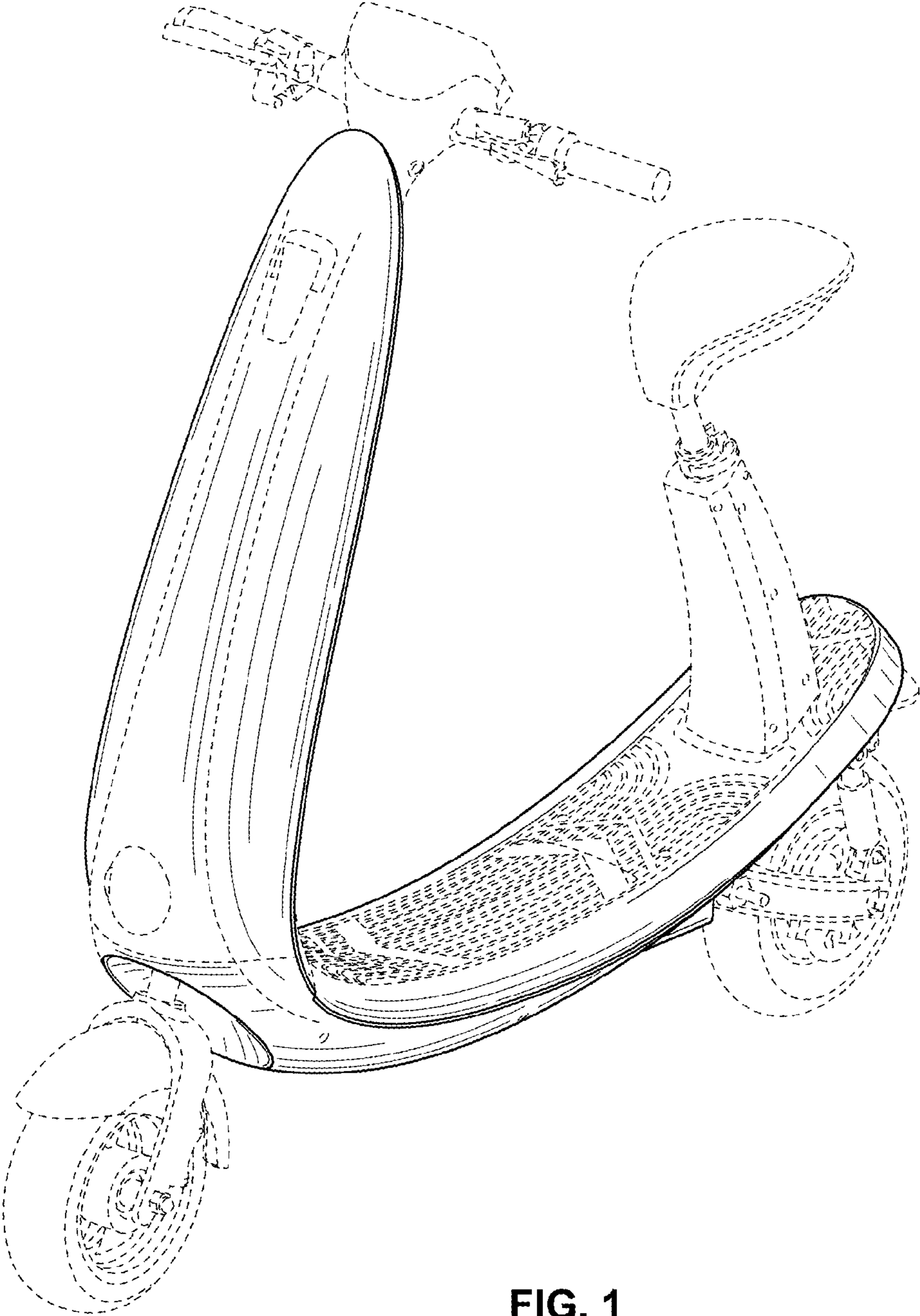
(56)

References Cited

U.S. PATENT DOCUMENTS

D491,492 S 6/2004 Lu
D509,258 S 9/2005 Huanxue
D513,629 S 1/2006 Sramek
7,156,405 B1 1/2007 Ming
D596,992 S 7/2009 Yang
D602,813 S 10/2009 Chao et al.
D602,815 S 10/2009 Lin et al.
D608,255 S * 1/2010 Arnell D12/132
D622,637 S 8/2010 Schneider
7,832,746 B2 11/2010 Peterson
D644,961 S 9/2011 Watanabe et al.
D656,560 S 3/2012 Patterson et al.
D657,722 S 4/2012 Lambri et al.
D670,617 S 11/2012 Tako et al.
D678,128 S 3/2013 Lambri et al.
D679,223 S 4/2013 Loasby et al.
D698,868 S 2/2014 Chan
D715,371 S 10/2014 Engele
8,985,602 B2 3/2015 Chan
D731,363 S 6/2015 Duncan et al.
D733,804 S 7/2015 Horne
D736,861 S 8/2015 Eckert et al.
D742,791 S 11/2015 Sanderson et al.
D744,047 S 11/2015 Daddoosh et al.
9,216,787 B2 12/2015 Duncan et al.
D748,738 S 2/2016 Hadley et al.
9,440,698 B2 * 9/2016 Daddoosh B62K 3/002
2009/0278327 A1 11/2009 Chan

* cited by examiner



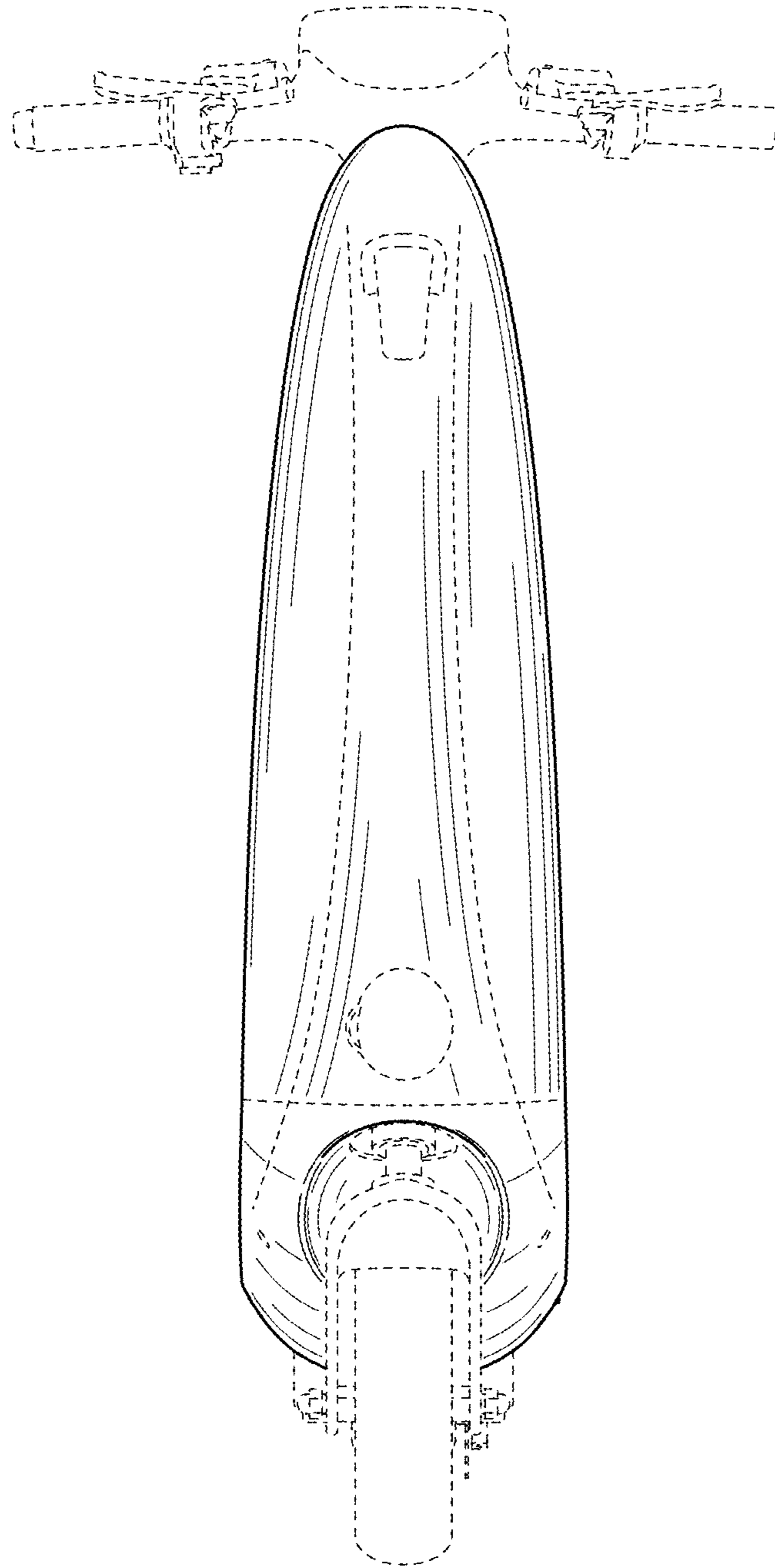


FIG. 2

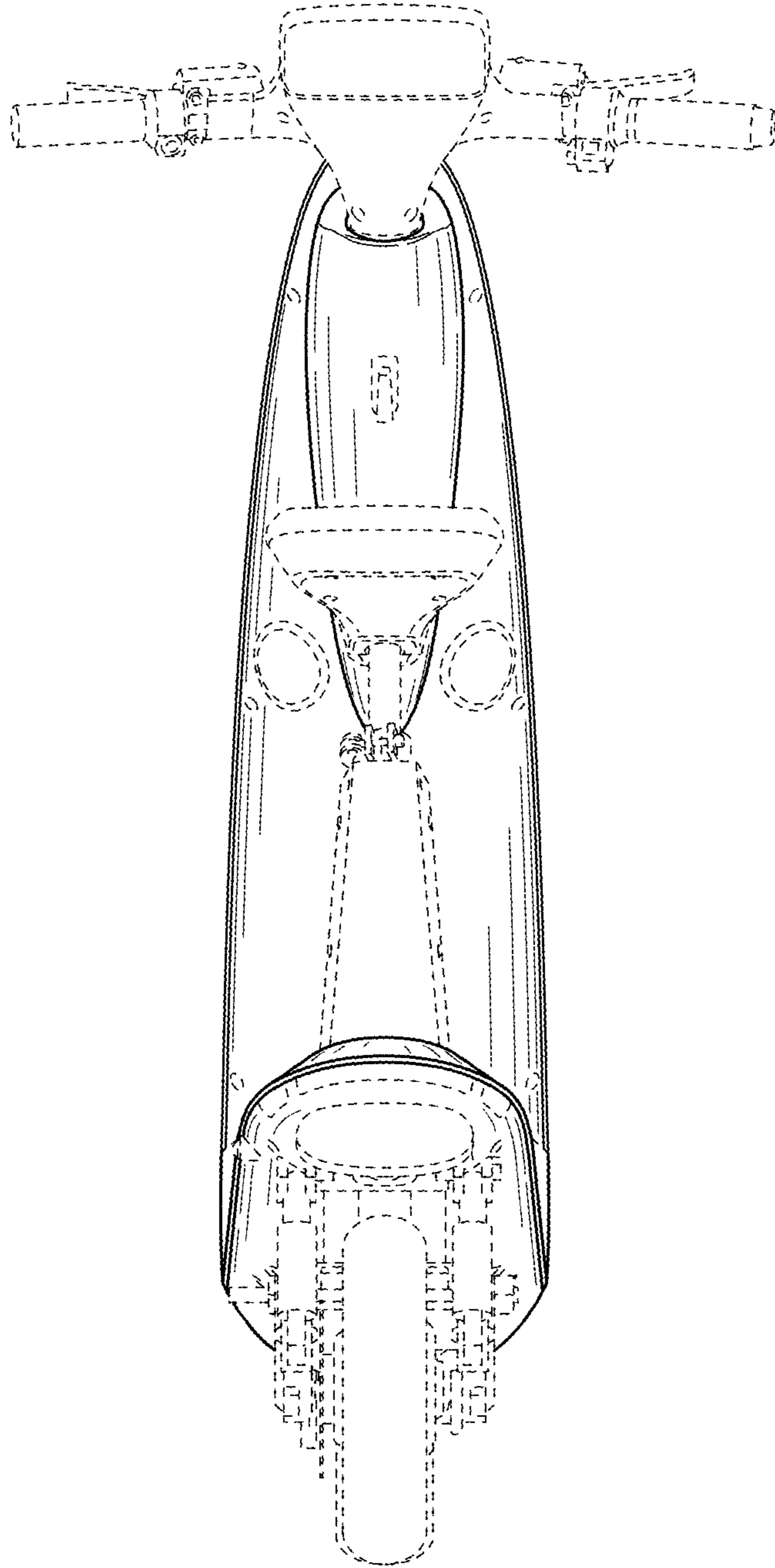


FIG. 3

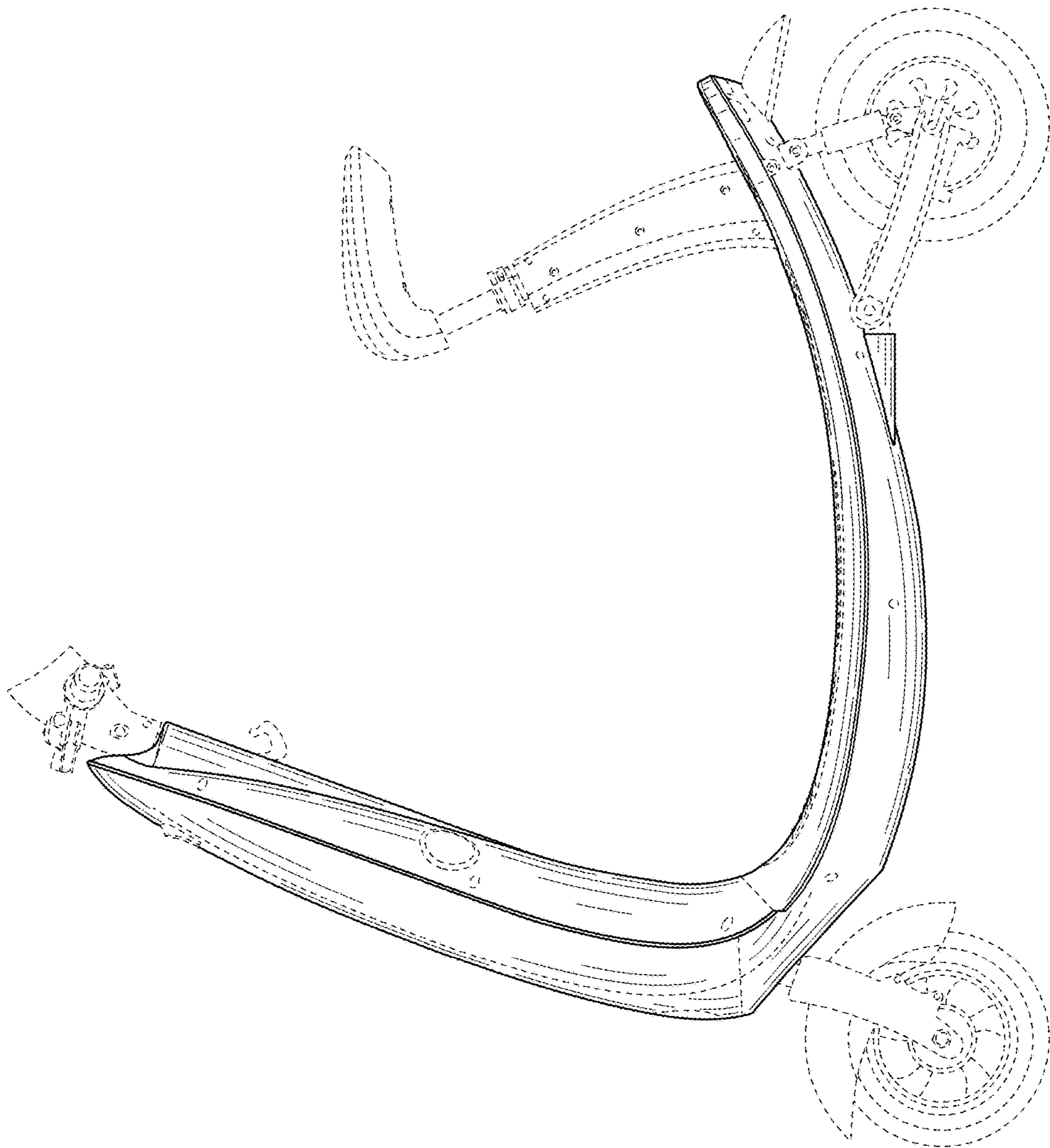


FIG. 4

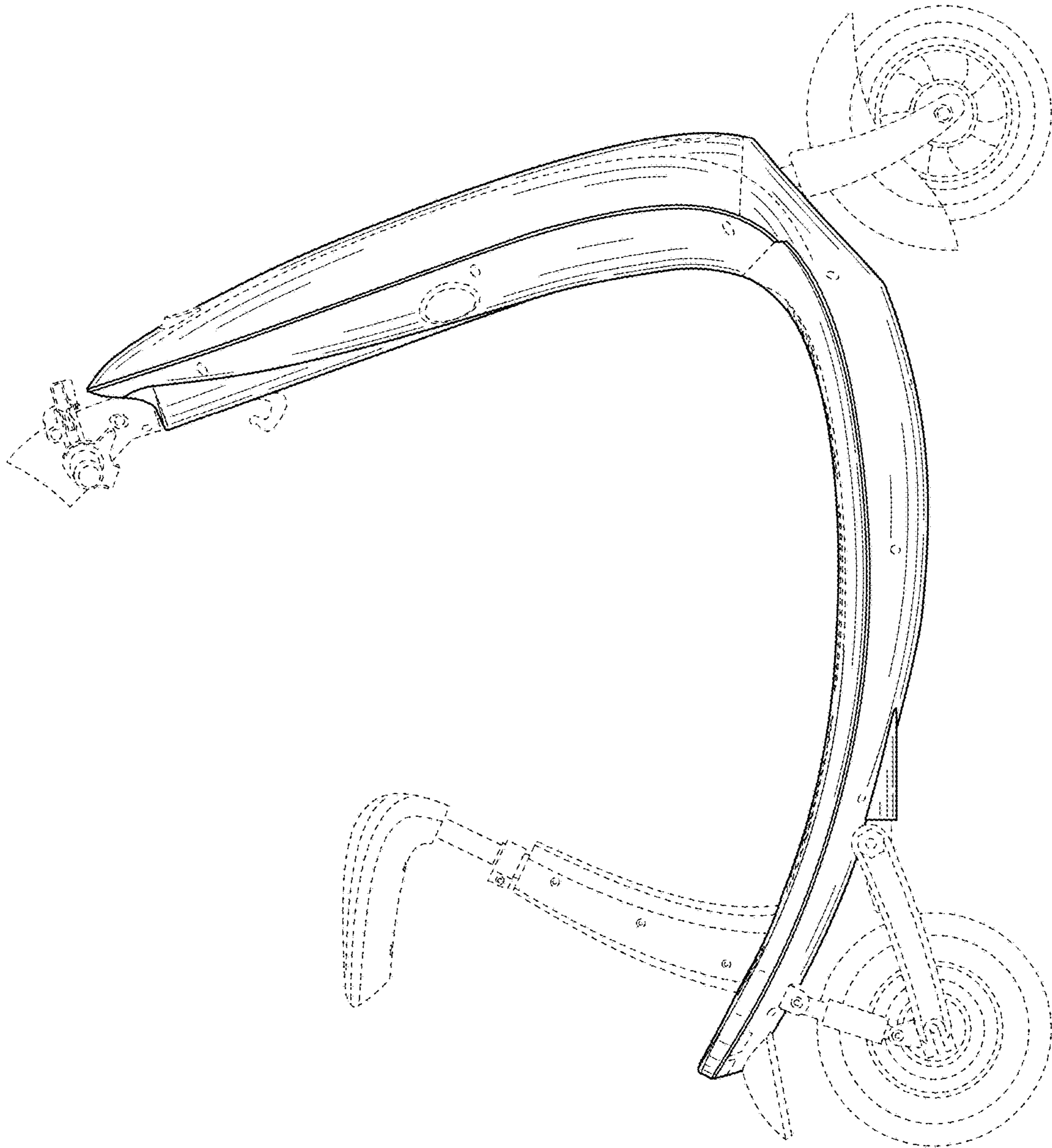


FIG. 5

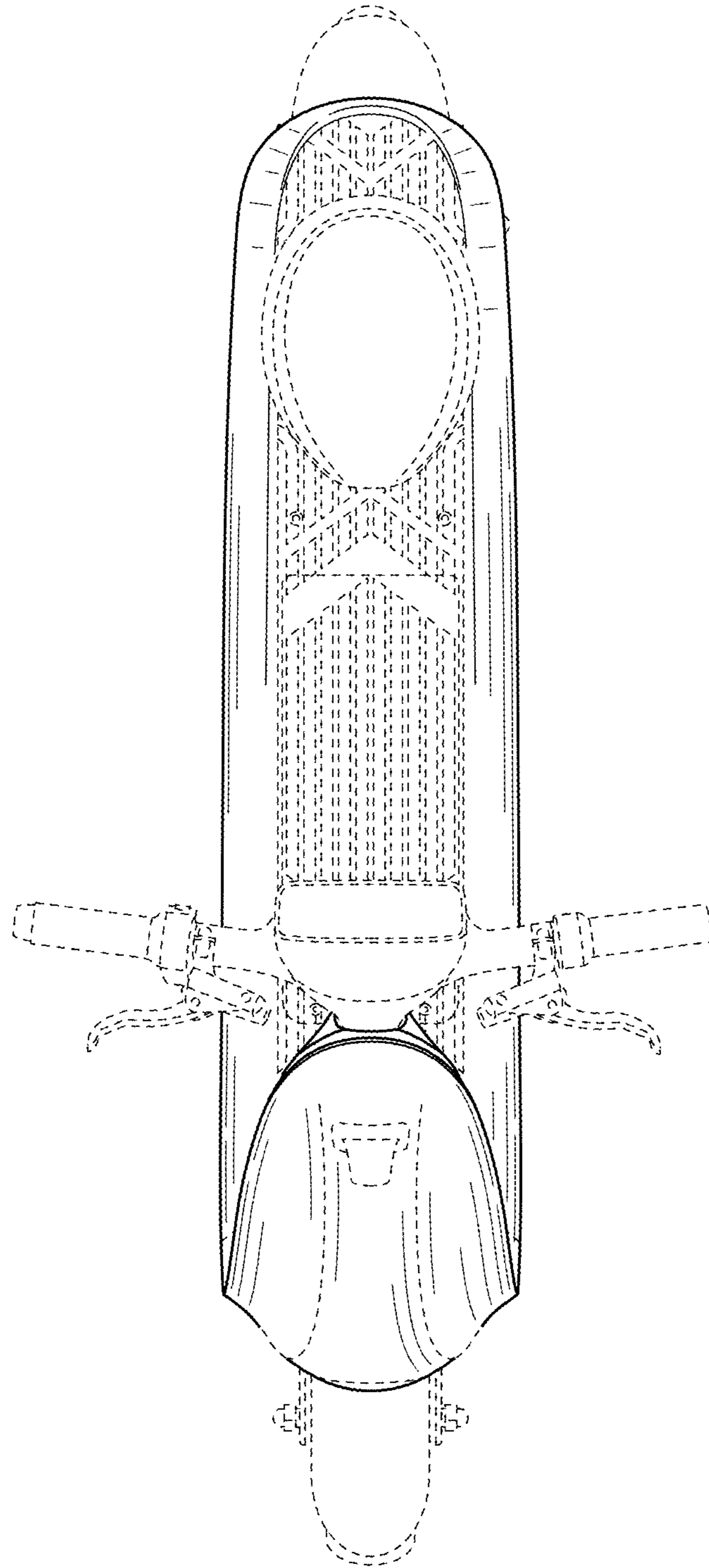


FIG. 6

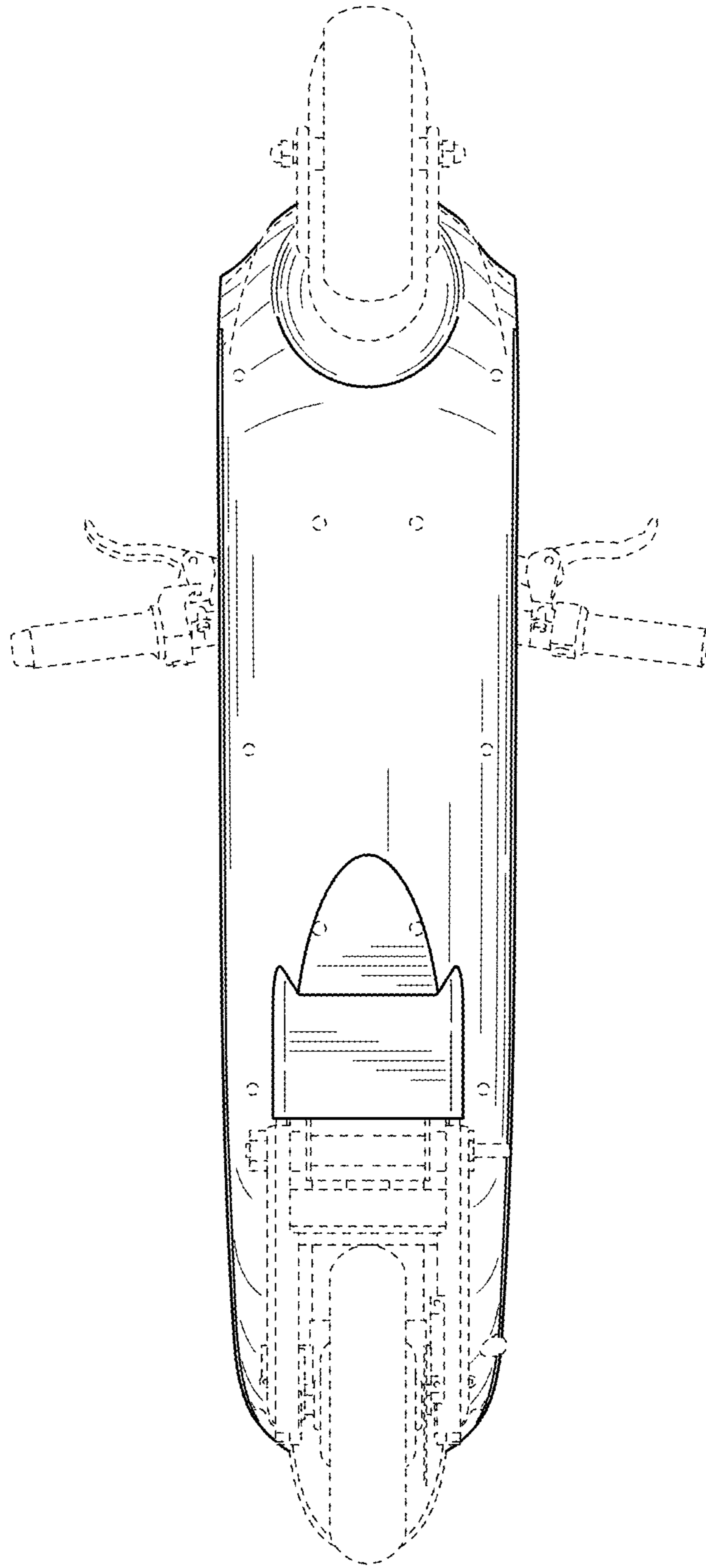


FIG. 7

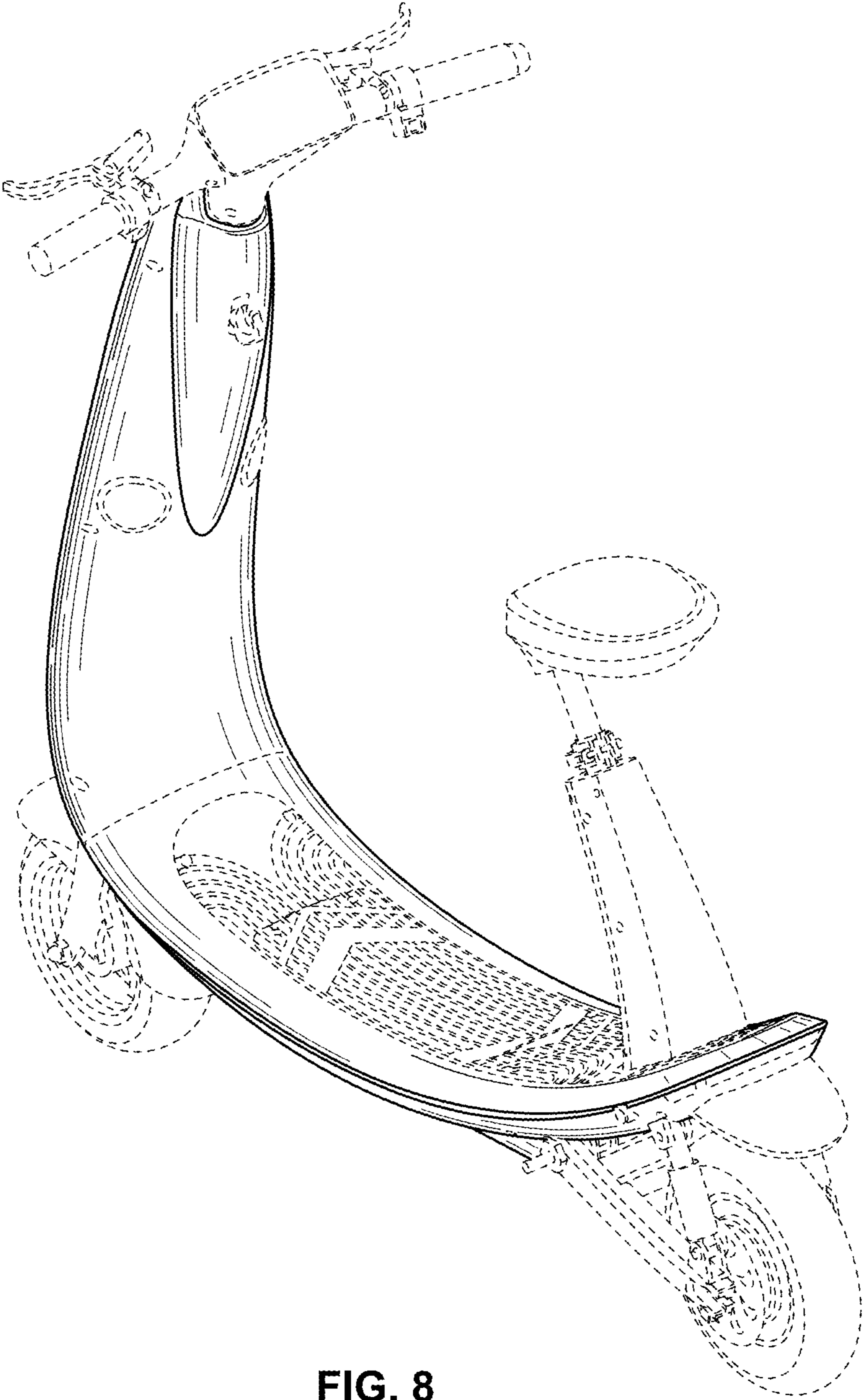


FIG. 8