



US00D797198S

(12) **United States Design Patent**
Hahn

(10) **Patent No.:** **US D797,198 S**

(45) **Date of Patent:** **** Sep. 12, 2017**

(54) **ROCKING HORSE**

(71) Applicant: **Donald Hahn**, Casper, WY (US)

(72) Inventor: **Donald Hahn**, Casper, WY (US)

(**) Term: **15 Years**

(21) Appl. No.: **29/575,167**

(22) Filed: **Aug. 23, 2016**

(51) **LOC (10) Cl.** **21-01**

(52) **U.S. Cl.**
USPC **D21/417**

(58) **Field of Classification Search**
USPC D21/412, 414–418, 825, 832; D6/345,
D6/348, 359, 385, 388; 472/95–105, 135;
446/29, 396; 297/271.6
CPC A63G 9/10; A63G 13/00; A63G 13/06;
A63G 13/08; A63G 17/00; A63G
19/00–19/20; A63G 15/02; A47D 13/102
See application file for complete search history.

(56) **References Cited**

U.S. PATENT DOCUMENTS

- 121,945 A * 12/1871 Kirsch A63G 13/06
297/271.6
- D117,553 S * 11/1939 Bojesen D21/417
- D119,598 S * 3/1940 Pogue D21/417
- D139,800 S * 12/1944 Brown D21/417
- D145,093 S * 6/1946 Mandelbaum D21/417
- D147,251 S * 8/1947 McClernon D21/417
- 2,462,648 A * 2/1949 Kuppin A63G 13/06
280/1.175
- 2,487,249 A * 11/1949 Krasberg A63G 13/06
248/370
- 2,489,698 A * 11/1949 Brown A63G 13/06
297/196
- D173,344 S * 11/1954 Grant D21/415
- D190,747 S 6/1961 Evans
- 2,659,602 A 7/1961 Little

- 3,232,608 A 2/1966 Vlacancich
- 3,497,258 A 2/1970 Hill
- D236,362 S 8/1975 Reeves
- 4,093,208 A 6/1978 Tomalinas, Jr.
- D352,531 S 11/1994 Rouille
- 5,364,161 A * 11/1994 Liu A63G 13/06
297/181
- 5,466,191 A * 11/1995 Chang A63G 15/00
280/1.175
- D461,331 S * 8/2002 Glaubitz D6/404
- 6,918,347 B2 7/2005 Lu
- D532,833 S 11/2006 Cline
- D771,195 S * 11/2016 Reybier D21/417
- 2011/0124423 A1* 5/2011 Chien A63G 15/00
472/95

FOREIGN PATENT DOCUMENTS

- CN 201760027 3/2011
- DE 412958 C * 5/1925 A63G 13/06
- DE 2643729 A1 * 3/1978 A47D 13/102
- FR 933556 A * 4/1948 A47C 3/029
- FR 953395 A * 12/1949 A63G 13/06
- FR 1029748 A * 6/1953 A63G 15/02
- GB 1015305 A * 12/1965 A63G 19/02

* cited by examiner

Primary Examiner — Catherine Tuttle

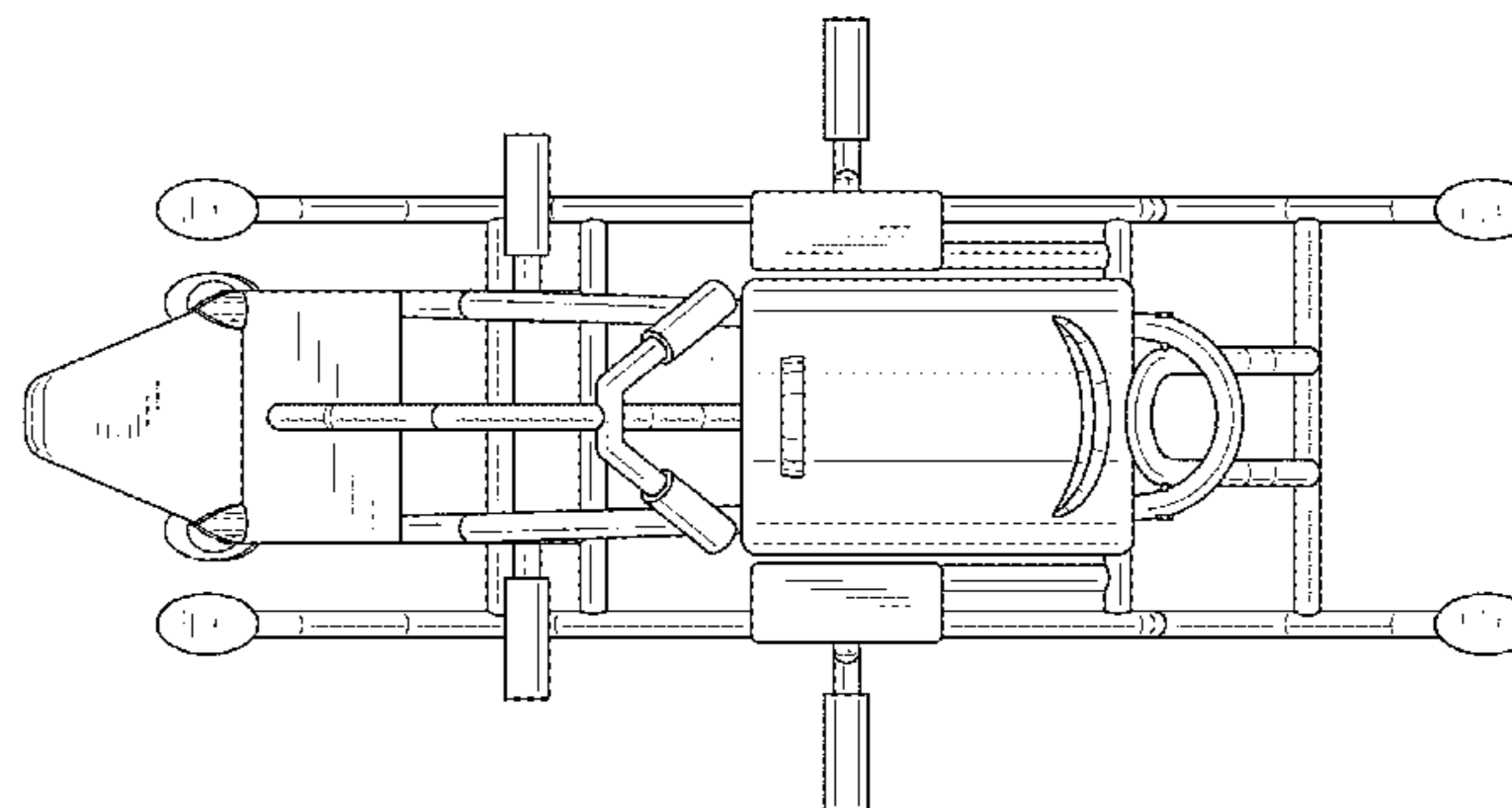
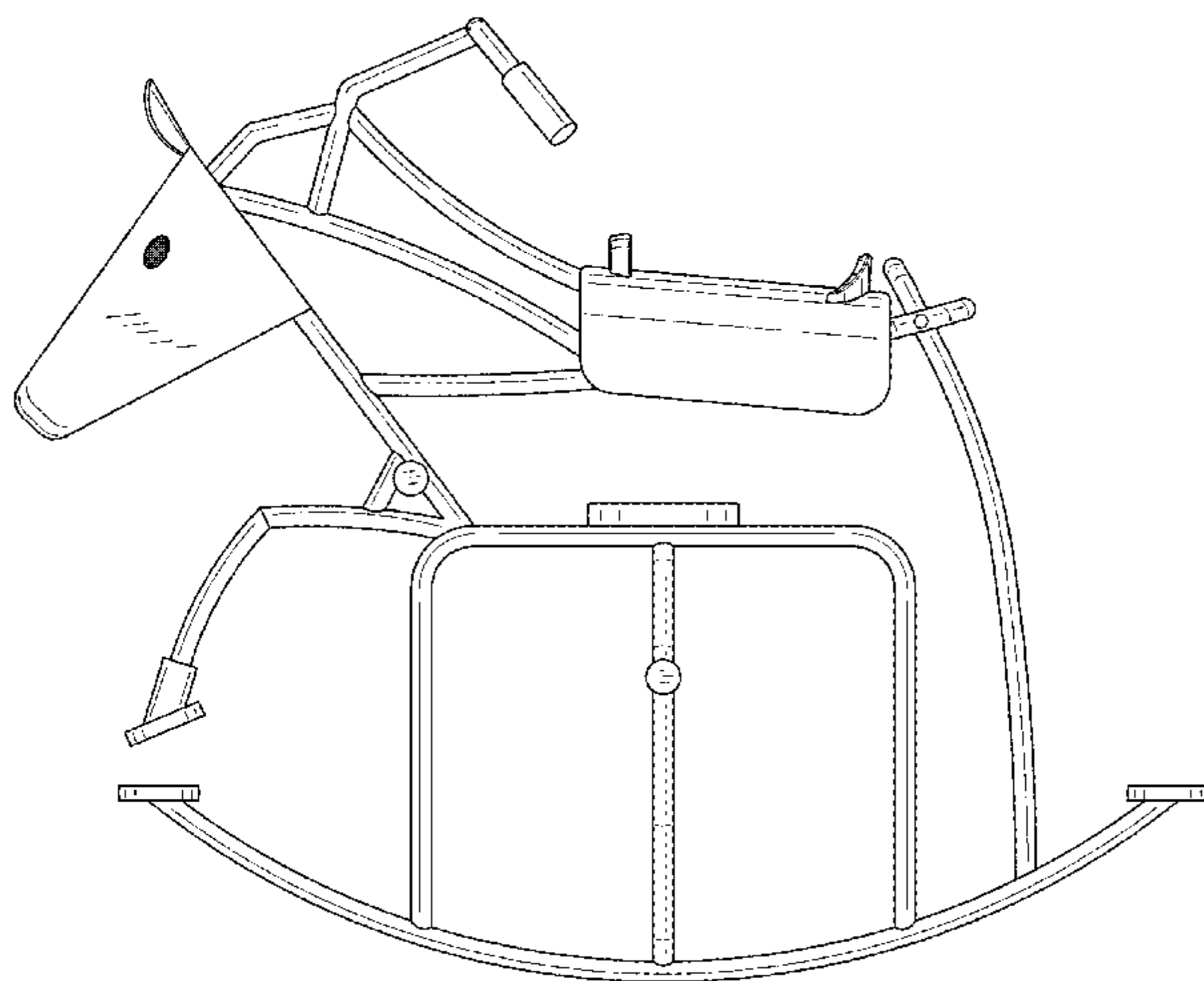
(57) **CLAIM**

I claim the ornamental design for a rocking horse, as shown and described.

DESCRIPTION

FIG. 1 is a front view of the rocking horse showing my new design.
FIG. 2 is a right side view thereof.
FIG. 3 is a left side view thereof.
FIG. 4 is a top view thereof; and,
FIG. 5 is a bottom view thereof.

1 Claim, 4 Drawing Sheets



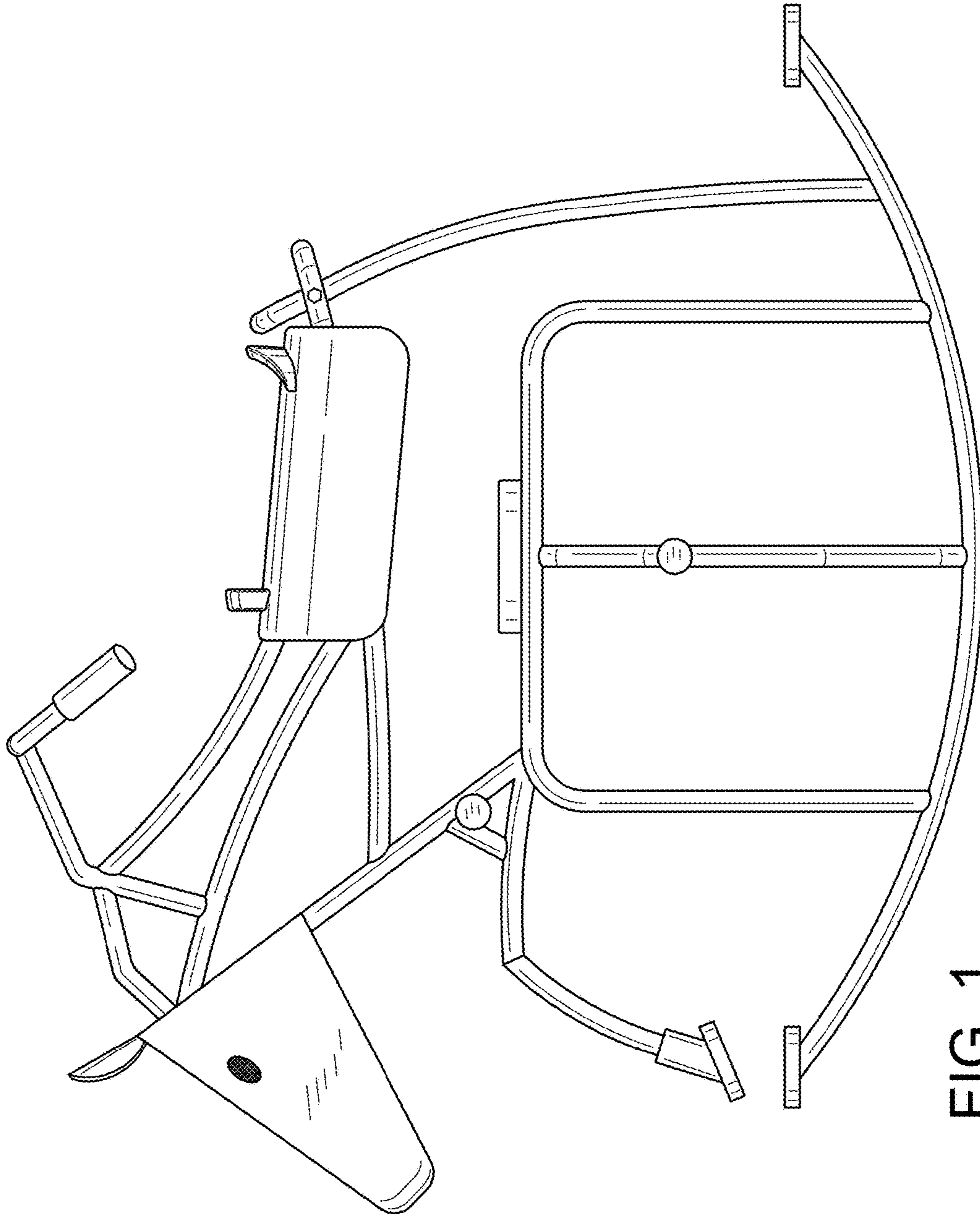


FIG. 1

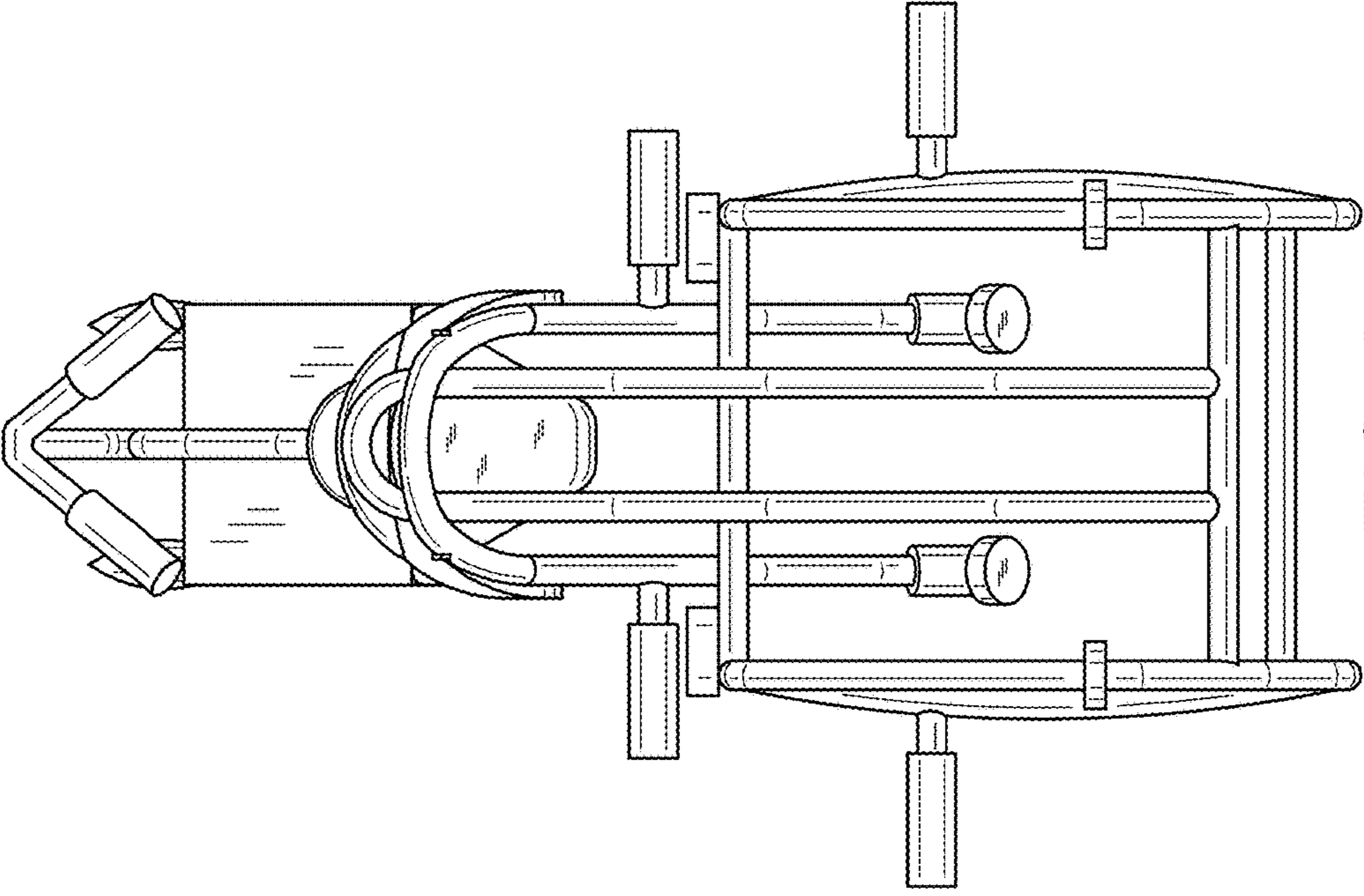


FIG. 3

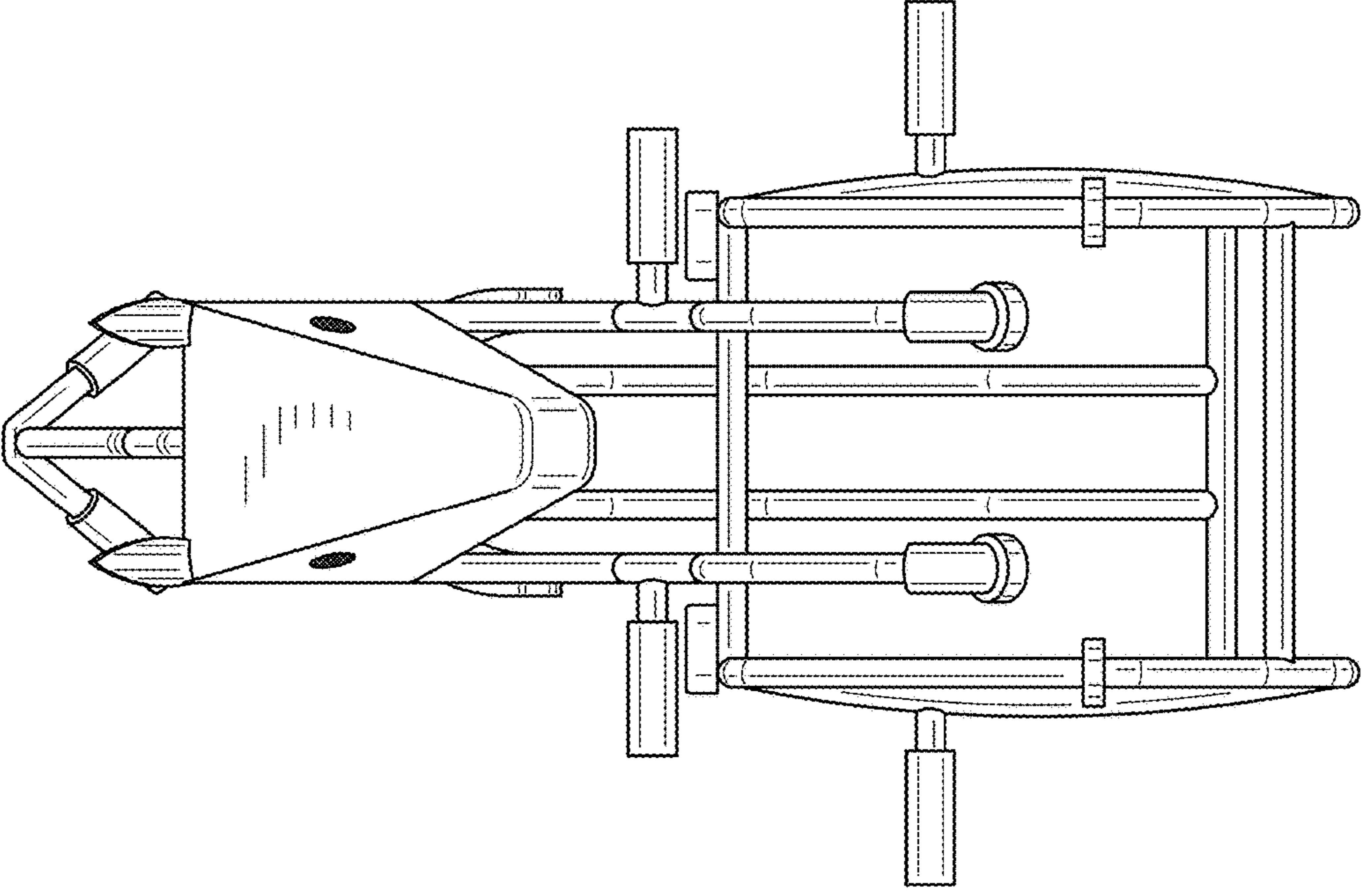


FIG. 2

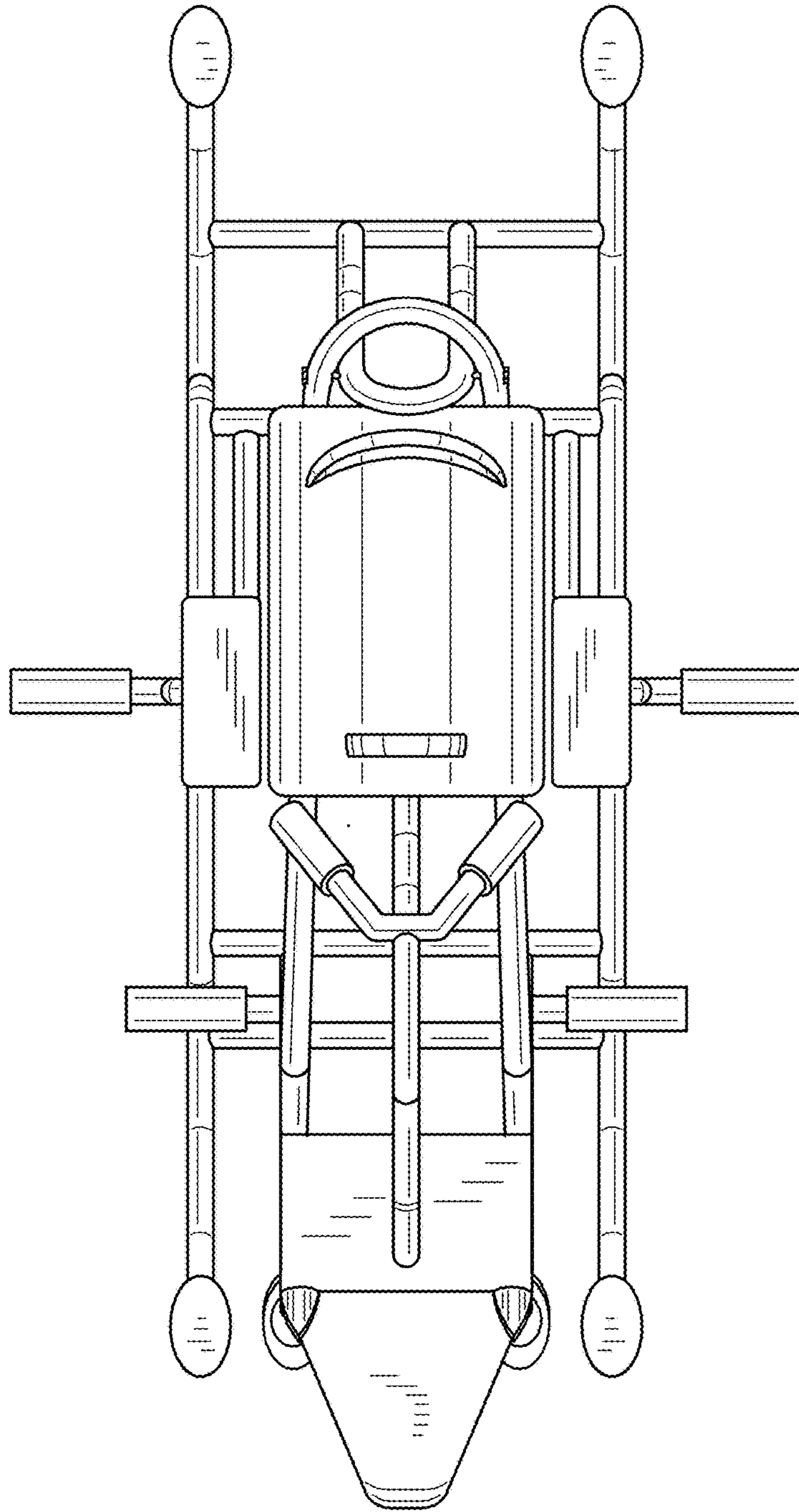


FIG. 4

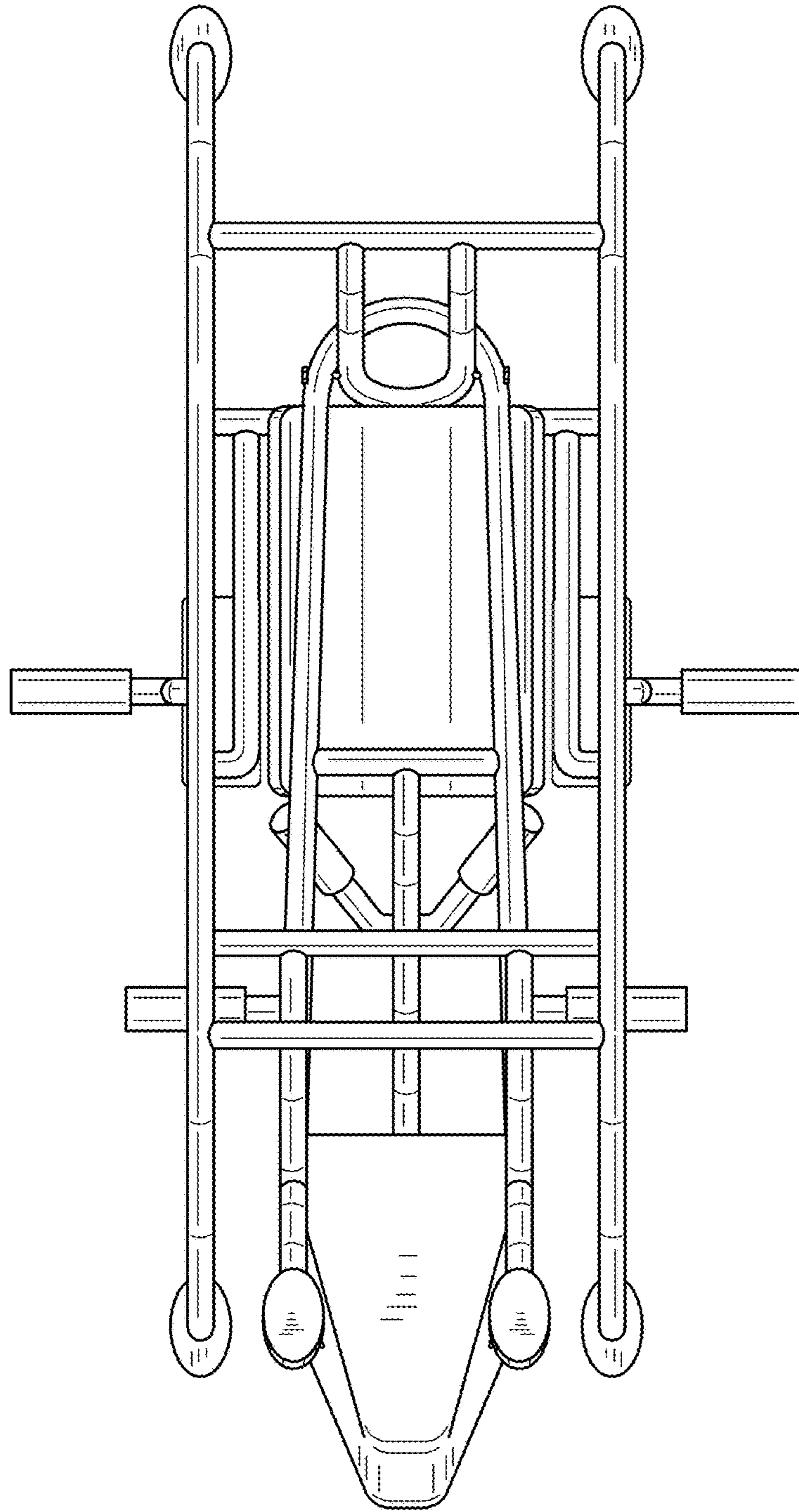


FIG. 5