



US00D797195S

(12) **United States Design Patent**  
**Stack et al.**

(10) **Patent No.:** **US D797,195 S**  
(45) **Date of Patent:** **\*\* Sep. 12, 2017**

- (54) **MINI GYM PLATFORM**
- (71) Applicants: **Stacy Stack**, North, SC (US); **Stacy Stack, Jr.**, North, SC (US)
- (72) Inventors: **Stacy Stack**, North, SC (US); **Stacy Stack, Jr.**, North, SC (US)
- (\*\*) Term: **15 Years**
- (21) Appl. No.: **29/572,303**
- (22) Filed: **Jul. 26, 2016**
- (51) **LOC (10) Cl.** ..... **21-01**
- (52) **U.S. Cl.**  
USPC ..... **D21/314; D21/686**
- (58) **Field of Classification Search**  
USPC ..... D21/300, 314, 669, 686, 694, 691, 701;  
273/317.3, 108, 276, 277; 473/472;  
482/27, 63, 114, 118  
CPC .. A63B 5/00; A63B 5/11; A63B 21/00; A63B  
6/00  
See application file for complete search history.

- 4,728,192 A \* 3/1988 Shaw ..... G01C 19/726  
356/464
- 5,139,471 A \* 8/1992 Dornberger ..... A63B 63/00  
273/118 R
- 5,147,265 A \* 9/1992 Pauls ..... A63B 21/015  
482/115
- 5,256,127 A \* 10/1993 Yeh ..... A63B 22/14  
482/146
- D449,357 S \* 10/2001 Monter Villar ..... D21/671
- D469,831 S \* 2/2003 Tuccillo ..... D21/686
- D749,178 S \* 2/2016 Nicholas ..... D21/686

\* cited by examiner

*Primary Examiner* — Prabhakar G Deshmukh  
(74) *Attorney, Agent, or Firm* — Jeffrey M. Furr, Esq.;  
Furr Law Firm

(57) **CLAIM**

The ornamental design for a mini gym platform, as shown.

**DESCRIPTION**

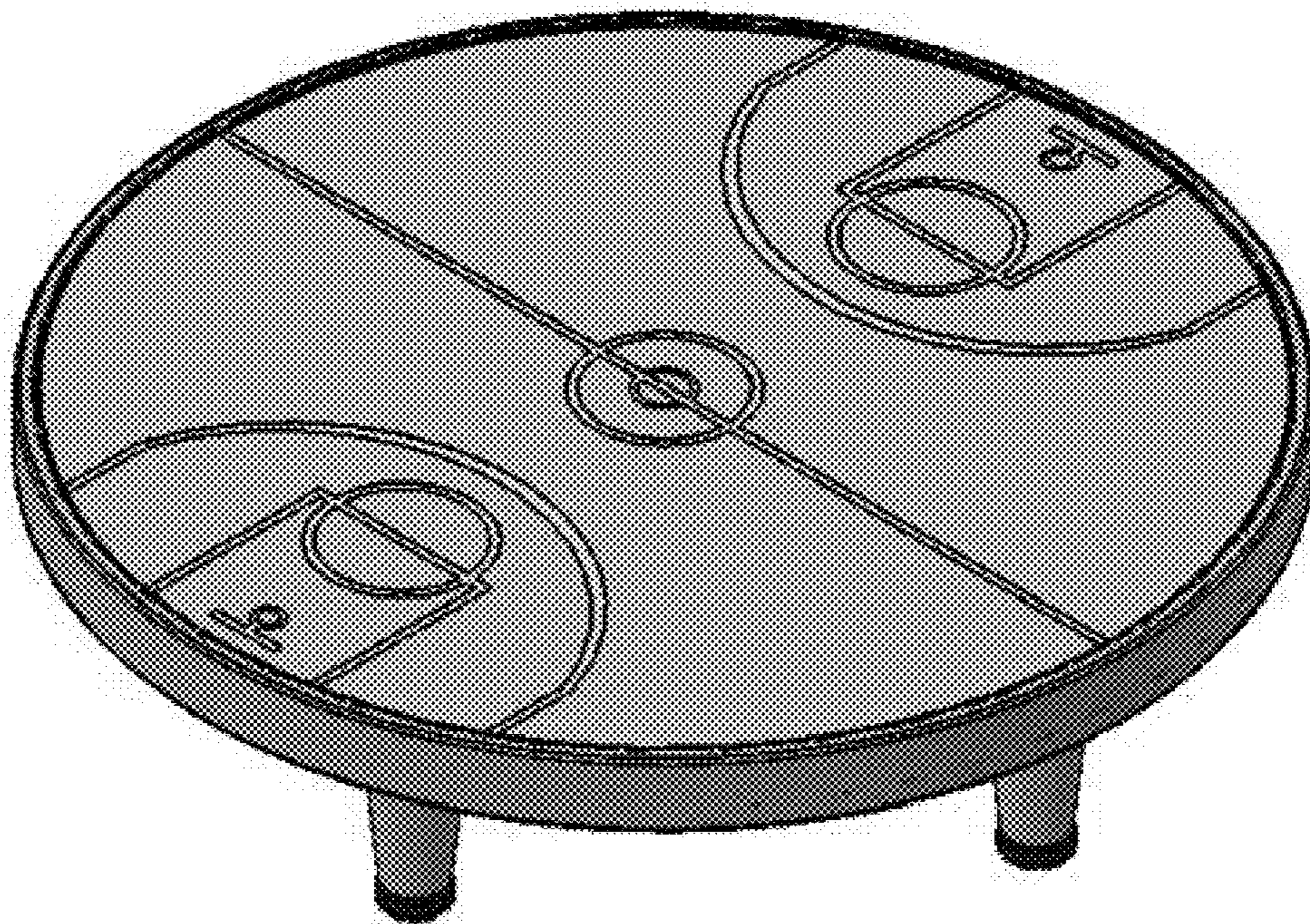
The patent or application file contains at least one drawing executed in color. Copies of this patent or patent application publication with color drawing(s) will be provided by the Office upon request and payment of the necessary fee.  
FIG. 1 is perspective view of a mini gym platform showing our new design;  
FIG. 2 is a top plan view thereof;  
FIG. 3 is a side elevational view thereof; and,  
FIG. 4 is a bottom plan view thereof.

**1 Claim, 3 Drawing Sheets**  
**(2 of 3 Drawing Sheet(s) Filed in Color)**

(56) **References Cited**

**U.S. PATENT DOCUMENTS**

- D84,134 S \* 5/1931 Dickerman ..... 473/410
- 3,100,639 A \* 8/1963 Bonewitz ..... A63B 22/14  
482/147
- D241,863 S \* 10/1976 Friedl ..... D21/689
- 4,183,521 A \* 1/1980 Kroeker ..... A63B 21/0004  
482/146
- 4,235,439 A \* 11/1980 De Donno ..... A63B 21/015  
188/75
- D278,924 S \* 5/1985 Seel ..... D21/689



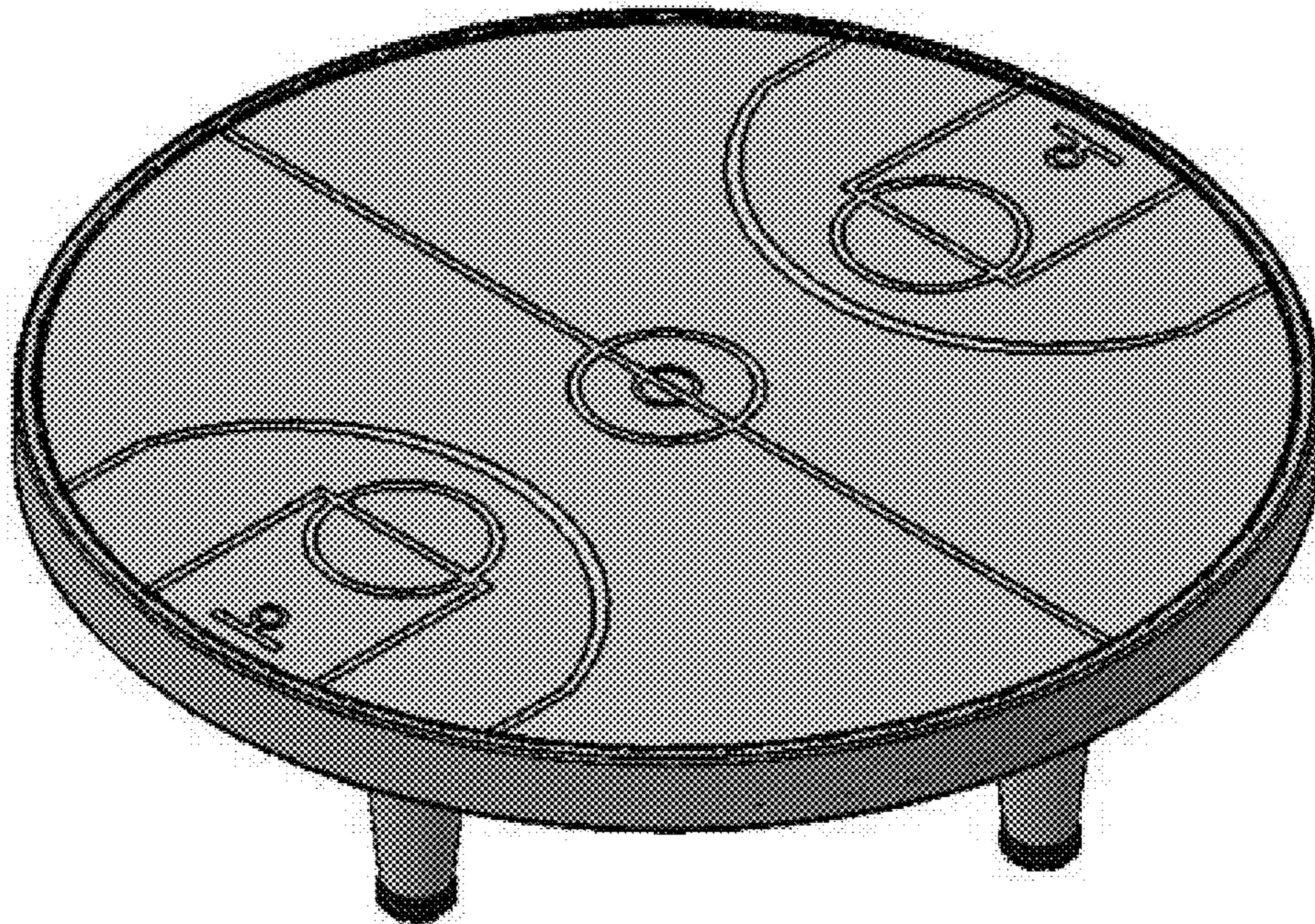


Fig. 1

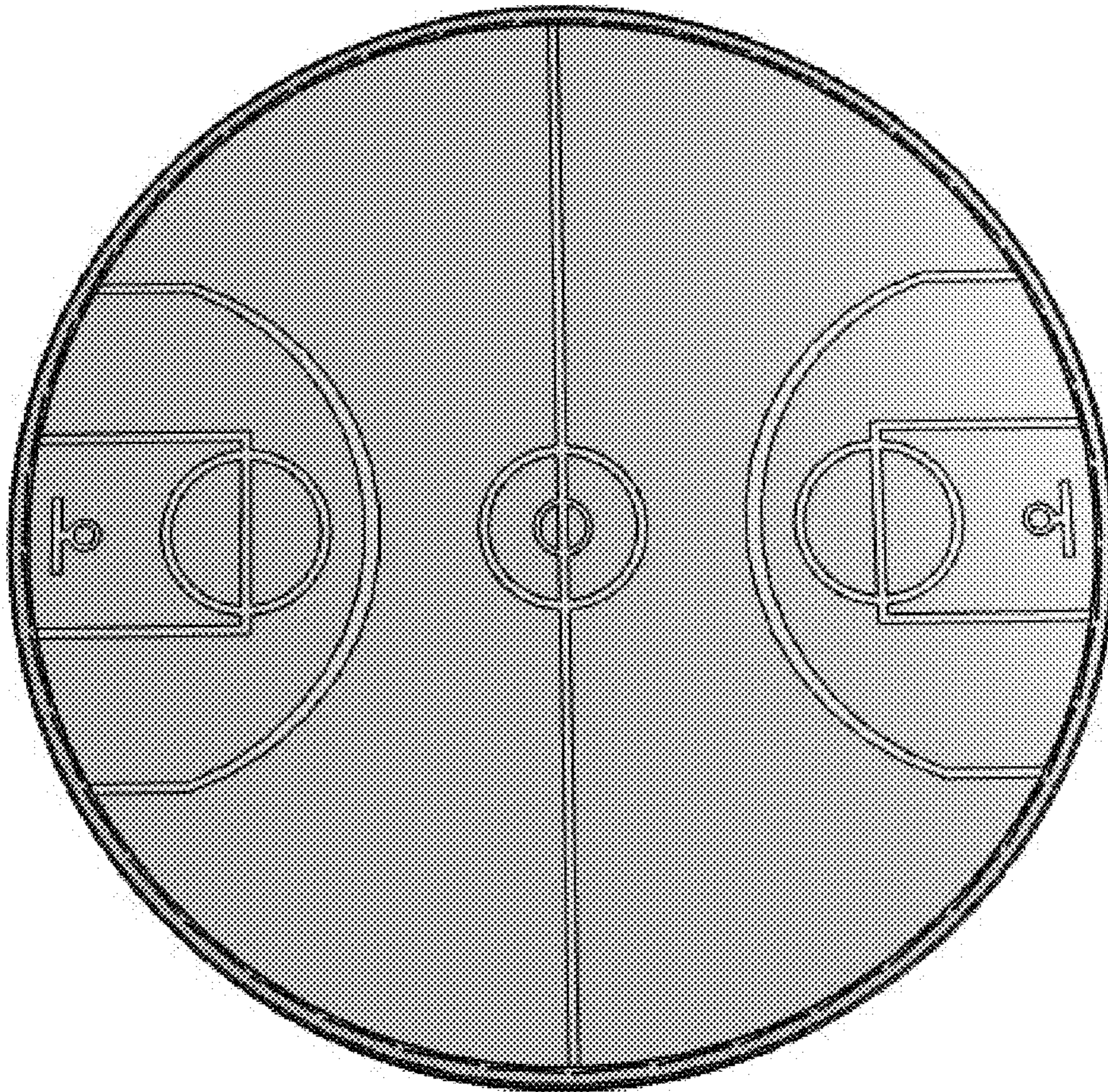


Fig. 2

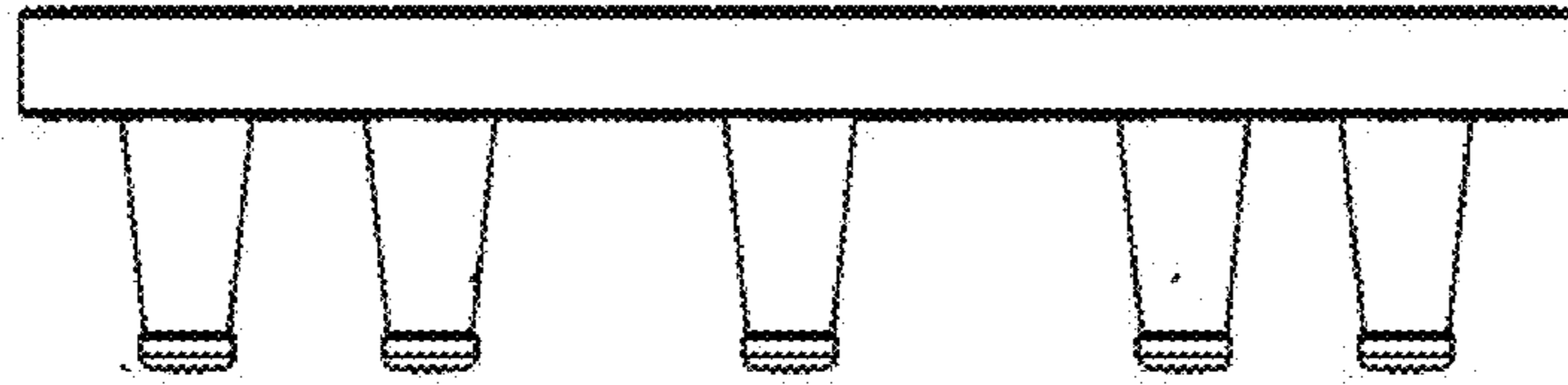


Fig. 3

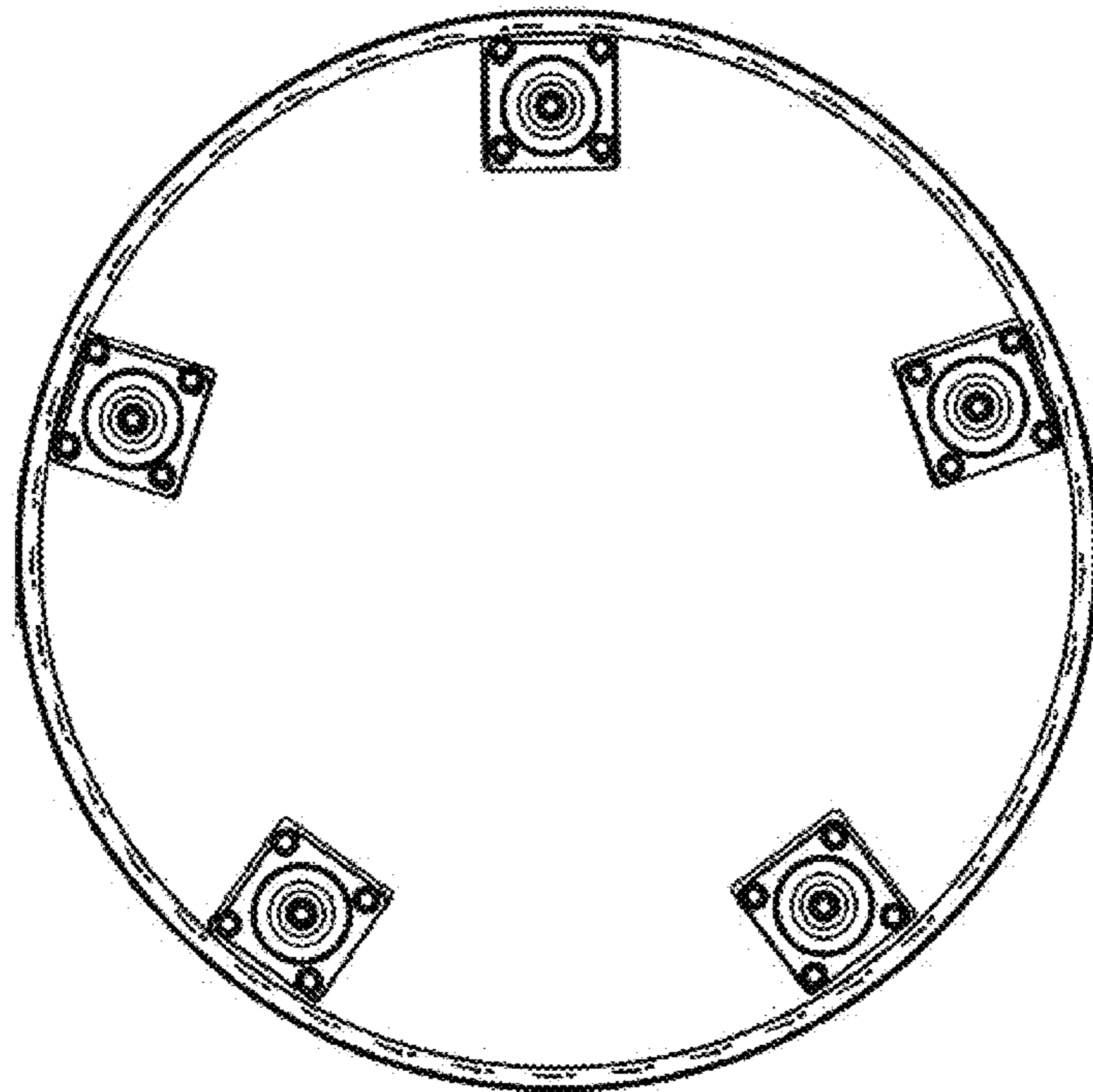


Fig. 4