



US00D797194S

(12) **United States Design Patent** (10) **Patent No.:** **US D797,194 S**
Domotor et al. (45) **Date of Patent:** **** Sep. 12, 2017**

- (54) **IDENTIFICATION TAG FOR A BAG** 5,195,265 A * 3/1993 Klingenberg G09F 3/10
206/232
- (71) Applicant: **The Gem Group, Inc.**, Lawrence, MA (US) D397,555 S * 9/1998 Nestegard D5/60
D613,451 S * 4/2010 Welsh D20/22
D645,227 S * 9/2011 Clemens D2/502
D676,490 S * 2/2013 Bratter D19/1
D683,398 S * 5/2013 Bratter D19/1
D727,429 S * 4/2015 Boyer D20/27
D750,387 S * 3/2016 Rowbottom D5/47
2015/0255009 A1 * 9/2015 Akhter G09F 3/0292
206/459.1
- (72) Inventors: **Agnes Csilla Domotor**, Melrose, MA (US); **Amanda Gyllstrom**, Hudson, MA (US)
- (73) Assignee: **The Gem Group, Inc.**, Lawrence, MA (US)

- (**) Term: **15 Years**
- (21) Appl. No.: **29/537,167**
- (22) Filed: **Aug. 24, 2015**

Related U.S. Application Data

- (63) Continuation-in-part of application No. 29/515,752, filed on Jan. 26, 2015.
- (51) **LOC (10) Cl.** **19-08**
- (52) **U.S. Cl.**
USPC **D20/27**
- (58) **Field of Classification Search**
USPC D20/11, 19, 22-28, 40, 99; D5/60, 63, D5/99; D3/312, 318; D10/106.9; D19/1
CPC G09F 1/00; G09F 1/02; G09F 3/00; G09F 3/0288; G09F 3/04; G09F 3/08; G09F 2003/0208; G09F 2003/023; G09F 2003/0257; G09F 2003/0264; G09F 2003/0266; G09F 2003/0267; G09F 2003/0269; G09F 2003/0272; G09F 2003/0279

See application file for complete search history.

(56) **References Cited**

U.S. PATENT DOCUMENTS

- 3,896,246 A * 7/1975 Brady, Jr. G09F 3/10
206/447
- D312,354 S * 11/1990 Tomforde D5/30

OTHER PUBLICATIONS

Air Mail Labels—p. 88—Farnham Office Supply & Equipment 1955 Catalog.*

* cited by examiner

Primary Examiner — Mary Ann Calabrese

(74) *Attorney, Agent, or Firm* — Loginov & Associates; William A. Loginov

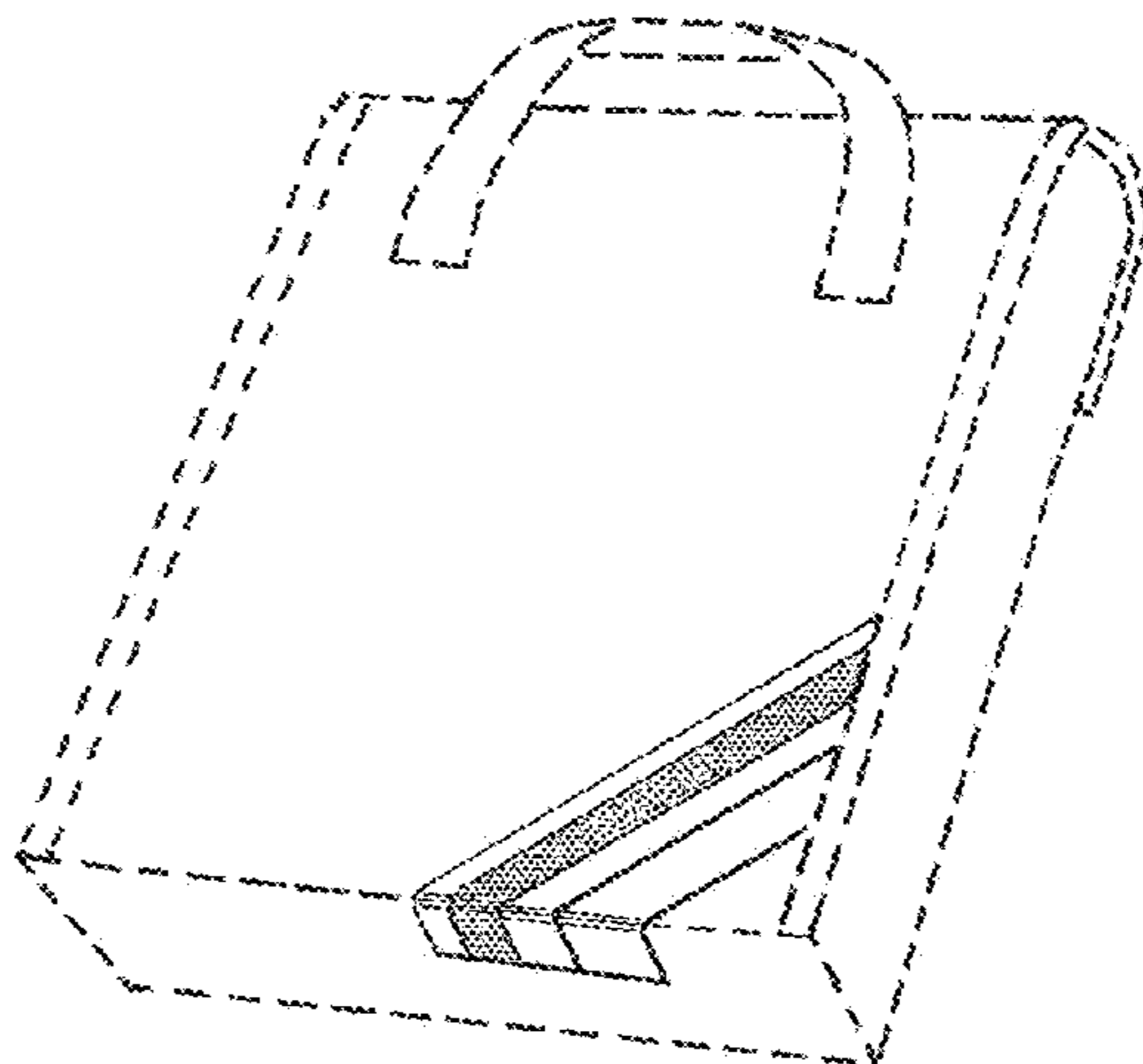
(57) **CLAIM**

The ornamental design for an identification tag for a bag, as shown and described.

DESCRIPTION

FIG. 1 is a perspective view of an identification tag for a bag; FIG. 2 is a front view of the identification tag for a bag; FIG. 3 is a left side of the identification tag for a bag; FIG. 4 is a right side view of the identification tag for a bag; and, FIG. 5 is a bottom view of the identification tag for a bag. The broken lines illustrate environment and form no part of the claimed design.

1 Claim, 1 Drawing Sheet



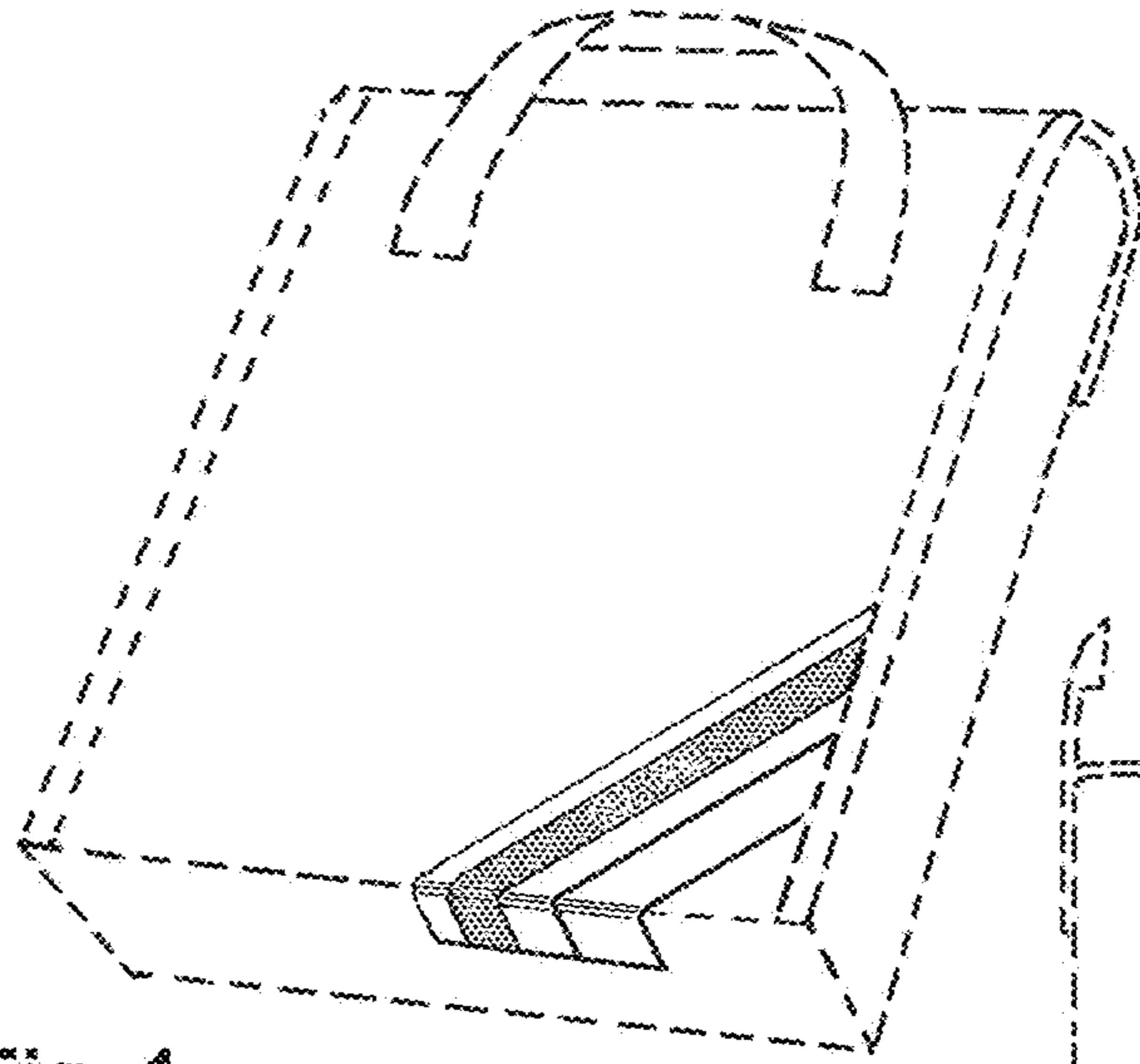


Fig. 1

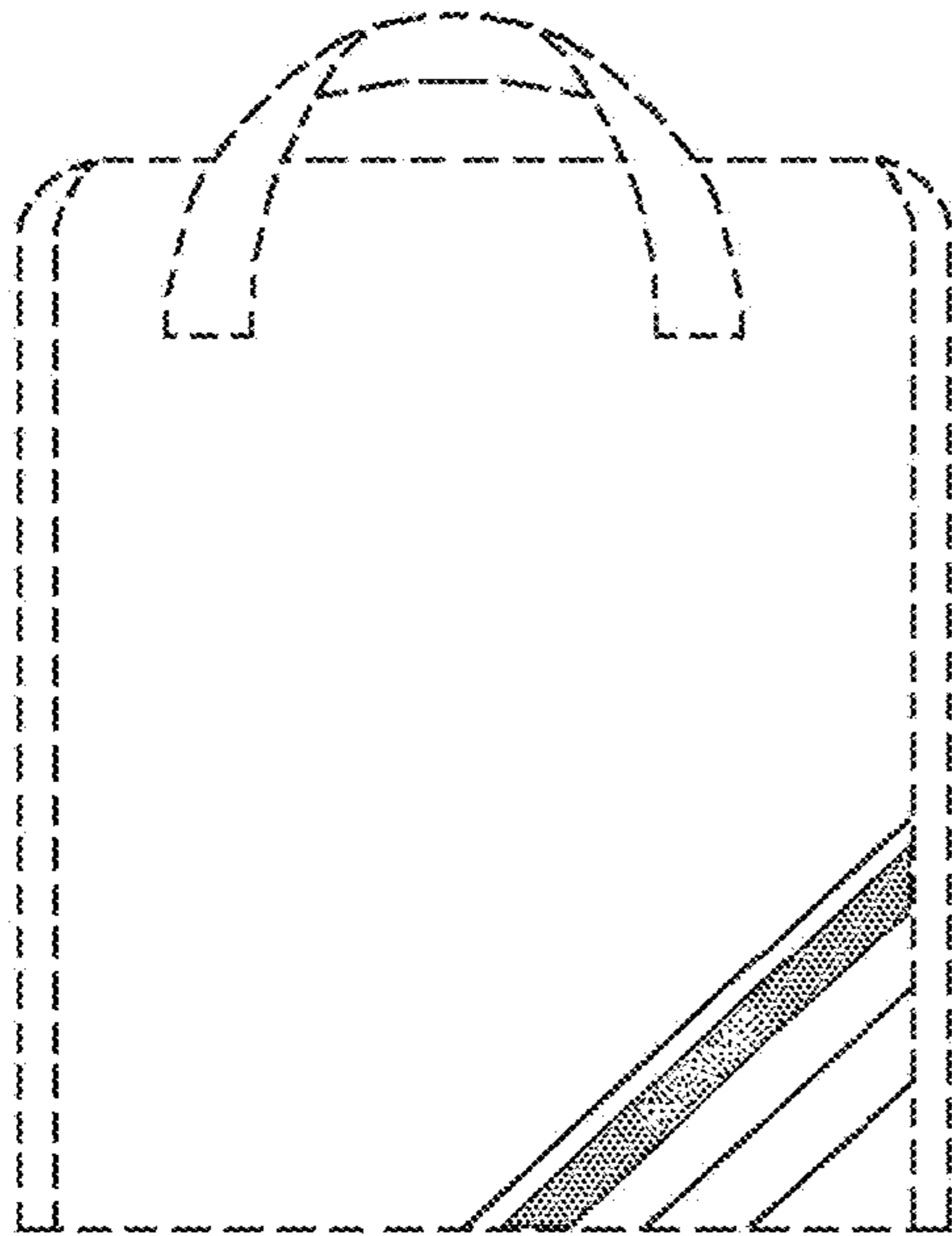


Fig. 2

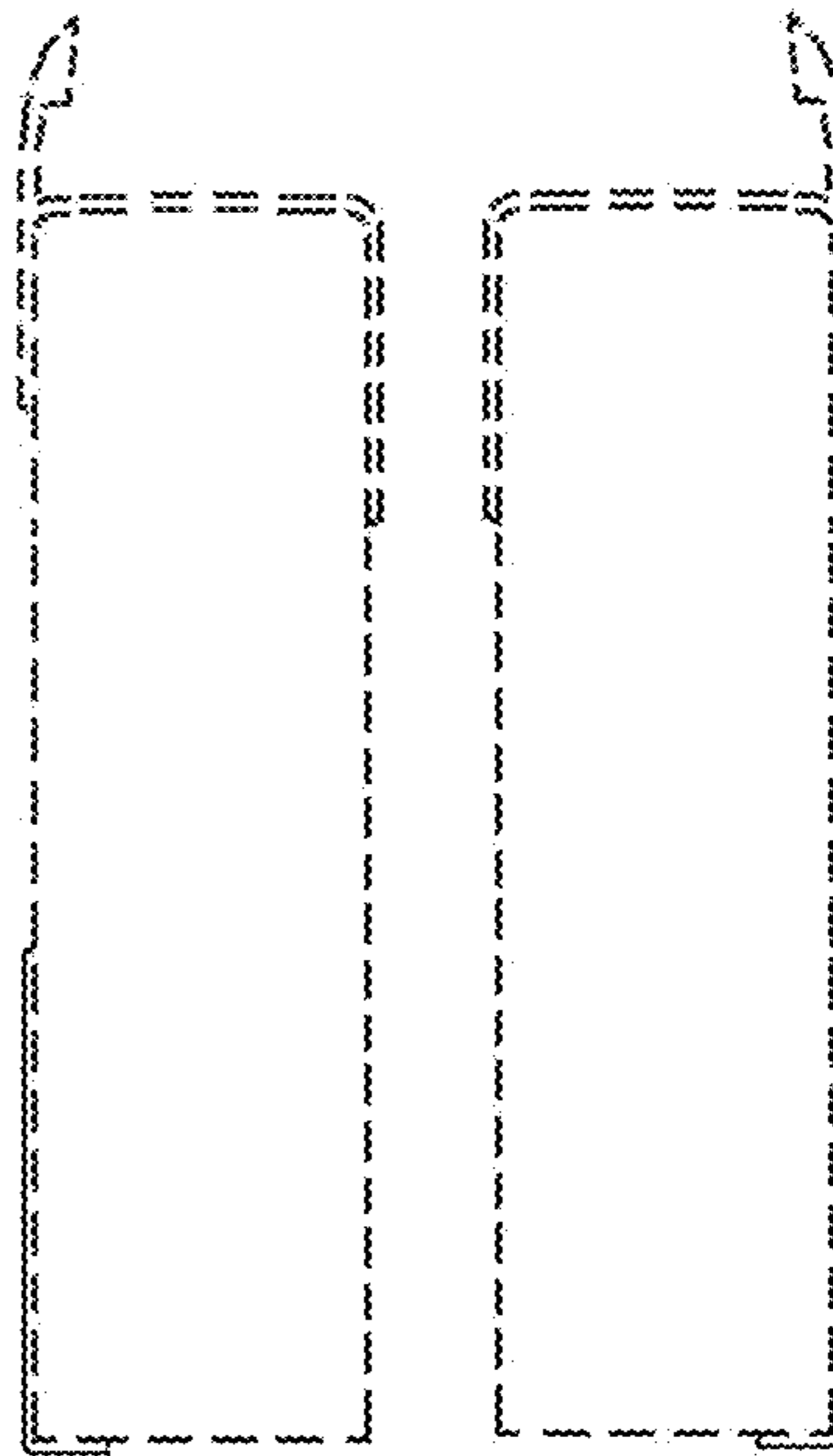


Fig. 3

Fig. 4



Fig. 5