



US00D797193S

(12) **United States Design Patent** (10) **Patent No.:** **US D797,193 S**
Csenar (45) **Date of Patent:** **** Sep. 12, 2017**

(54) **SNAP ON IDENTIFICATION TAG**
(71) Applicant: **Beverly A. Csenar**, Roswell, GA (US)
(72) Inventor: **Beverly A. Csenar**, Roswell, GA (US)
(**) Term: **15 Years**
(21) Appl. No.: **29/528,205**
(22) Filed: **May 27, 2015**
(51) **LOC (10) Cl.** **19-08**
(52) **U.S. Cl.**
USPC **D20/27; D30/155**
(58) **Field of Classification Search**
USPC D20/10, 19, 22-28, 43, 44, 99;
D10/106.9; D3/211; D30/155
CPC G09F 3/00; G09F 3/0317; G09F 3/0323;
G09F 3/04; G09F 3/06; G09F 3/08; G09F
3/16; G09F 3/00185; G09F 2003/0254;
G09F 2003/0257; G09F 2003/0258; G09F
2003/0261; G09F 2003/0264; G09F
2003/0266; G09F 2003/0267; G09F
27/00; A01K 11/00
See application file for complete search history.

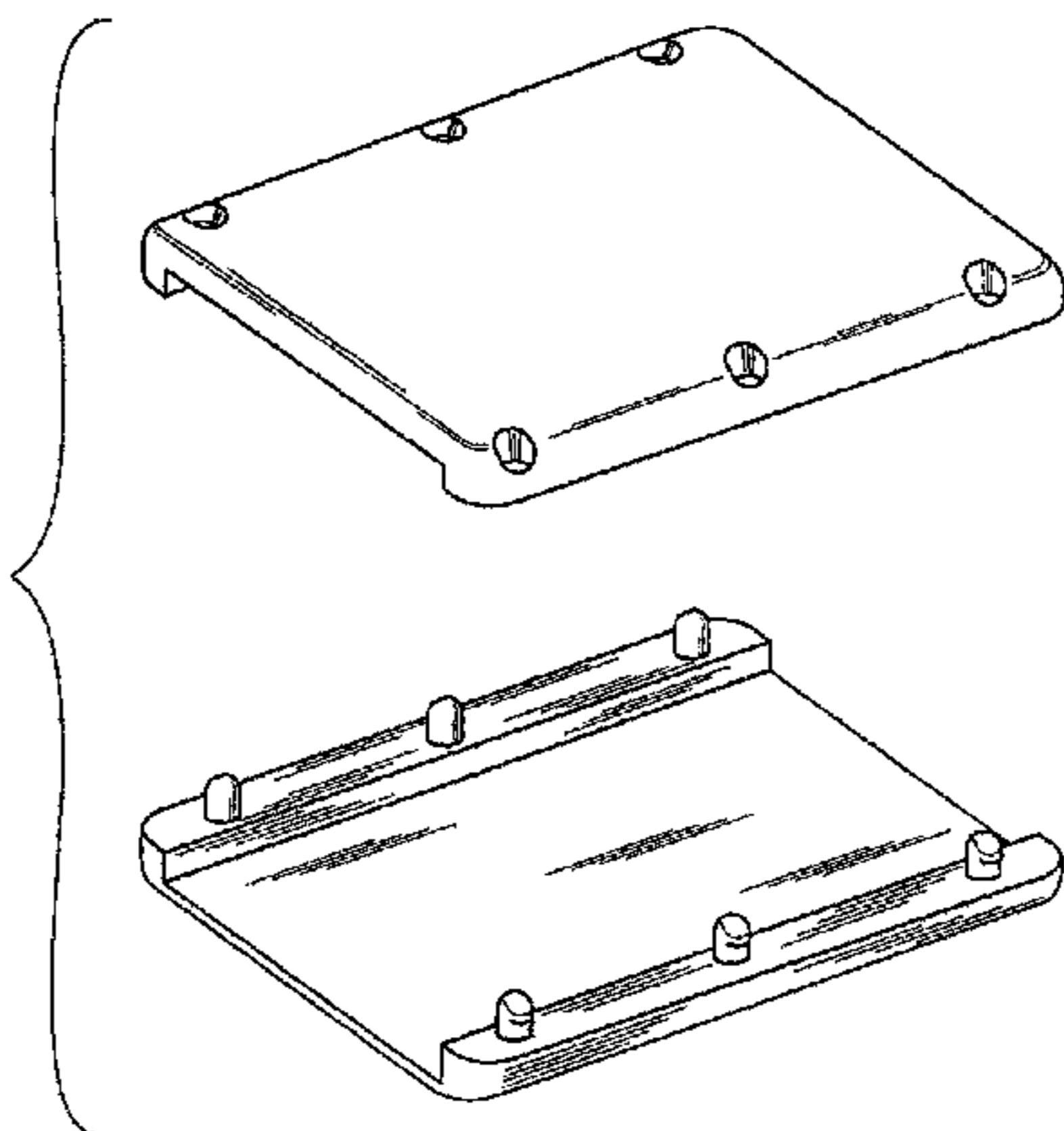
(56) **References Cited**
U.S. PATENT DOCUMENTS
1,539,744 A 5/1925 Kelly
3,879,870 A 4/1975 Bachand
4,137,660 A 2/1979 Dettmann et al.
D253,731 S 12/1979 Mayfield
4,739,566 A 4/1988 Smith
5,113,602 A 5/1992 Levine et al.
D340,261 S * 10/1993 Franklin D20/22
5,412,887 A * 5/1995 Layne A47F 11/10
206/308.1
6,578,886 B1 * 6/2003 Bystry G09F 3/037
292/307 R
6,672,748 B2 * 1/2004 Baldwin G09F 13/00
362/222
D488,190 S * 4/2004 Segel D20/27
(Continued)

Primary Examiner — Mary Ann Calabrese

(74) *Attorney, Agent, or Firm* — Richard L Miller
(57) **CLAIM**
The ornamental design for a snap on identification tag, as shown and described.

DESCRIPTION
FIG. 1 is an exploded perspective view showing the set of components for a snap on identification tag of my new design;
FIG. 2 is a top plan view of the first cooperating component;
FIG. 3 is a left side elevational view of the first cooperating component, it being understood that the right side elevational view is a mirror image thereof;
FIG. 4 is a bottom plan view of the first cooperating component;
FIG. 5 is a front elevational view of the first cooperating component, it being understood that the rear elevational view is a mirror image thereof;
FIG. 6 is a bottom plan view of the second cooperating component;
FIG. 7 is a left side elevational view of the second cooperating component, it being understood that the right side elevational view is a mirror image thereof;
FIG. 8 is a top plan view of the second cooperating component;
FIG. 9 is a front elevational view of the second cooperating component, it being understood that the rear elevational view is a mirror image thereof;
FIG. 10 is a cross sectional view taken in the direction of line 10-10 in FIG. 6; and,
FIG. 11 is an assembled perspective view showing the set of components of my new design.
In the drawings, the broken lines illustrate environment and form no part of the claimed design.

1 Claim, 4 Drawing Sheets



(56)

References Cited

U.S. PATENT DOCUMENTS

7,140,133 B2 * 11/2006 Hu G09F 27/00
40/124.03
D560,717 S * 1/2008 Robertson D19/10
D586,858 S * 2/2009 Chang D20/27
7,861,443 B2 1/2011 Hill
2003/0033737 A1 2/2003 Bradshaw et al.
2005/0235539 A1 * 10/2005 Story G09F 3/005
40/633
2005/0268864 A1 12/2005 Gallagher et al.
2008/0263920 A1 * 10/2008 Trigg G09F 3/00
40/299.01
2014/0077509 A1 * 3/2014 Vafadari G09F 3/0323
292/307 R

* cited by examiner

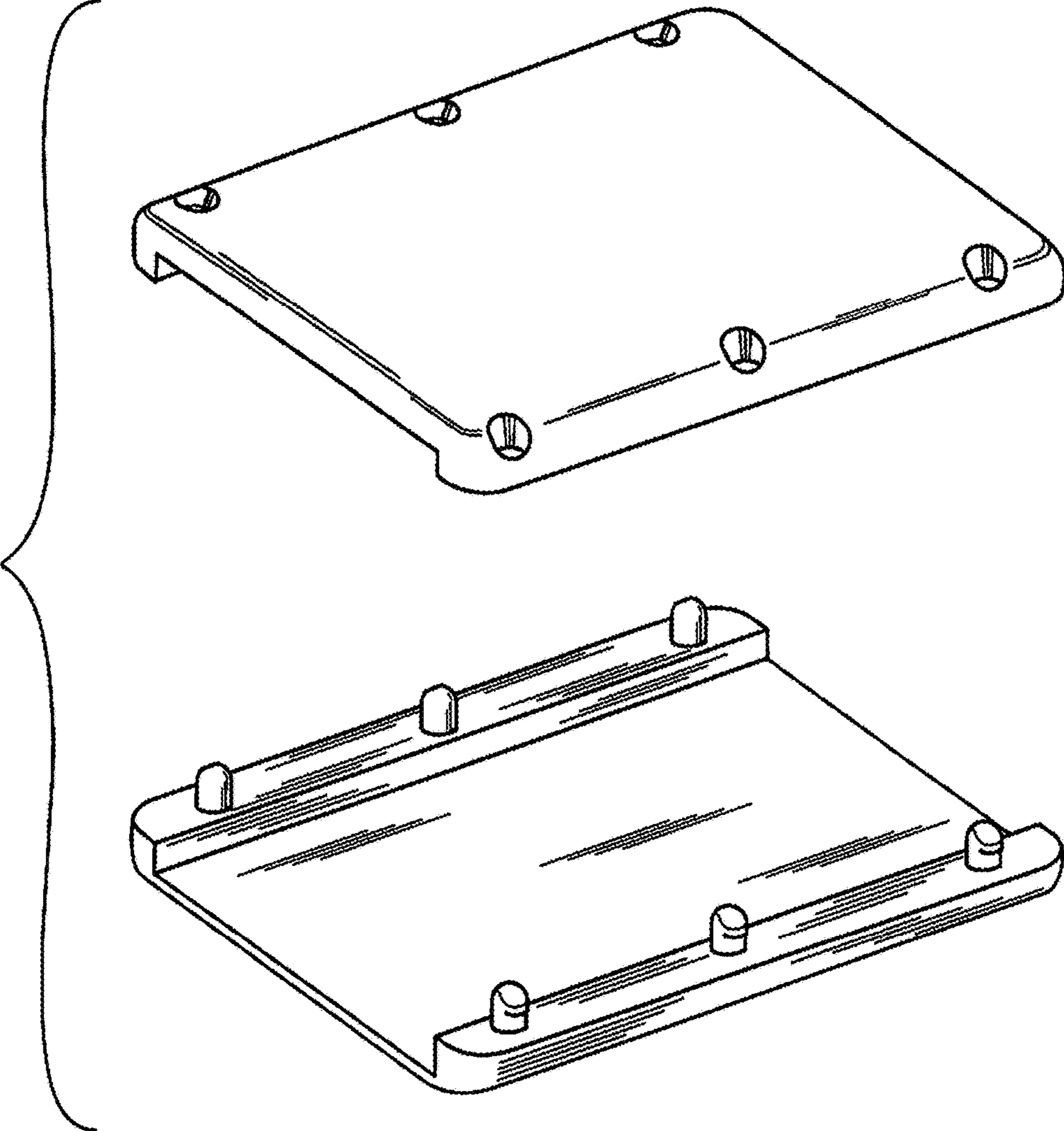


Fig. 1

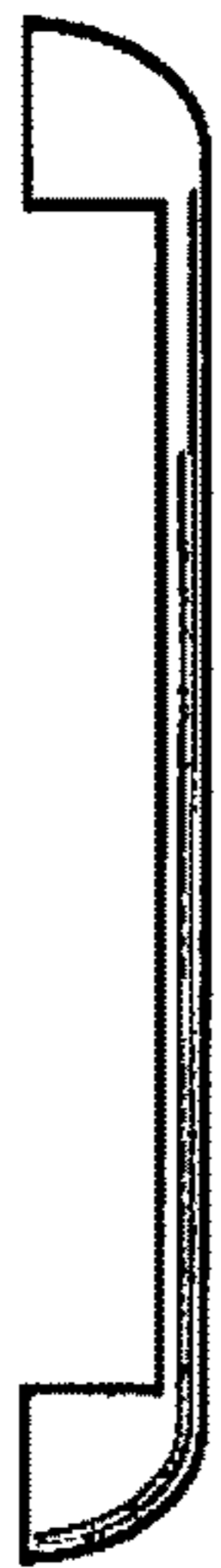


Fig. 3

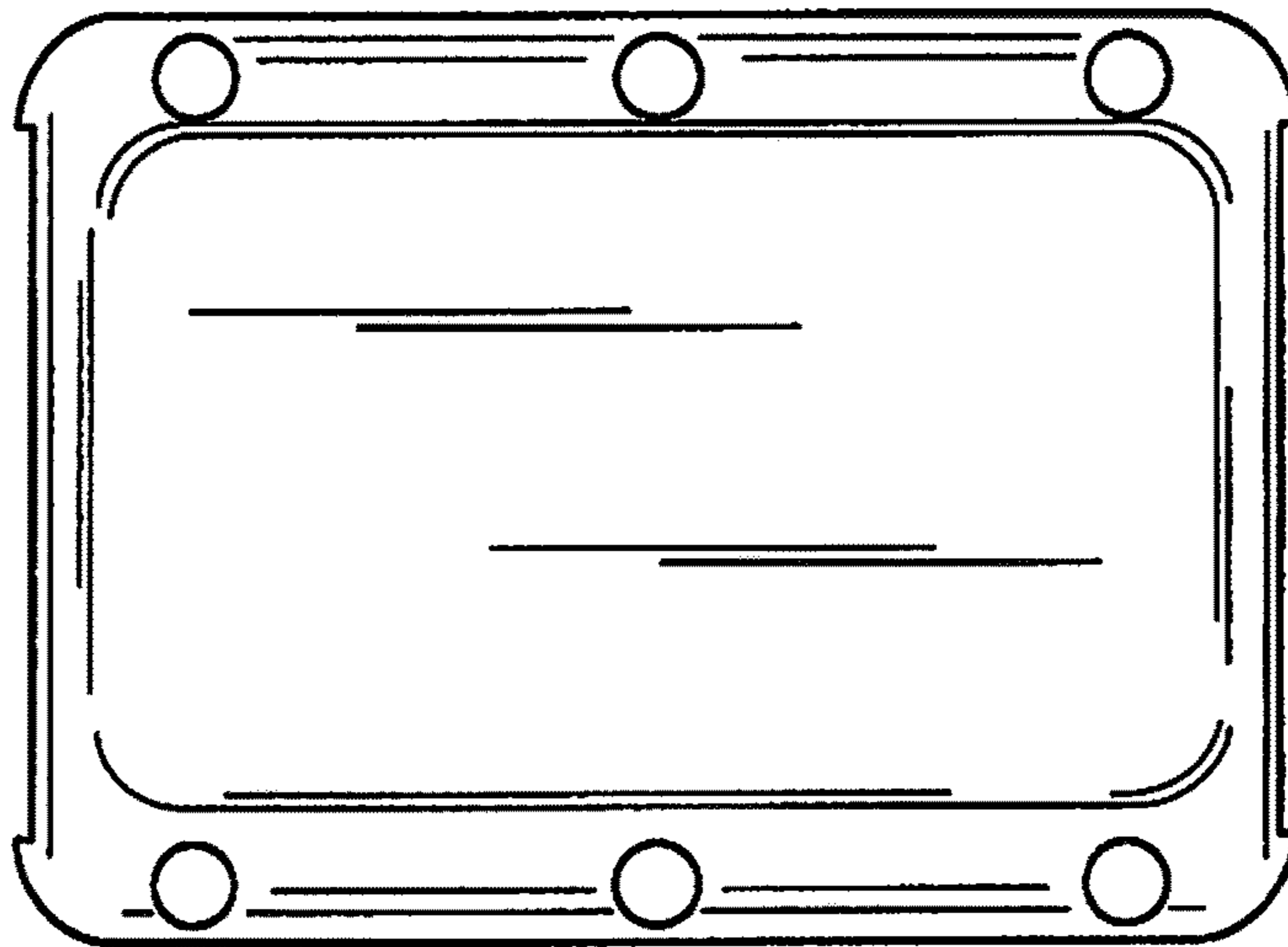
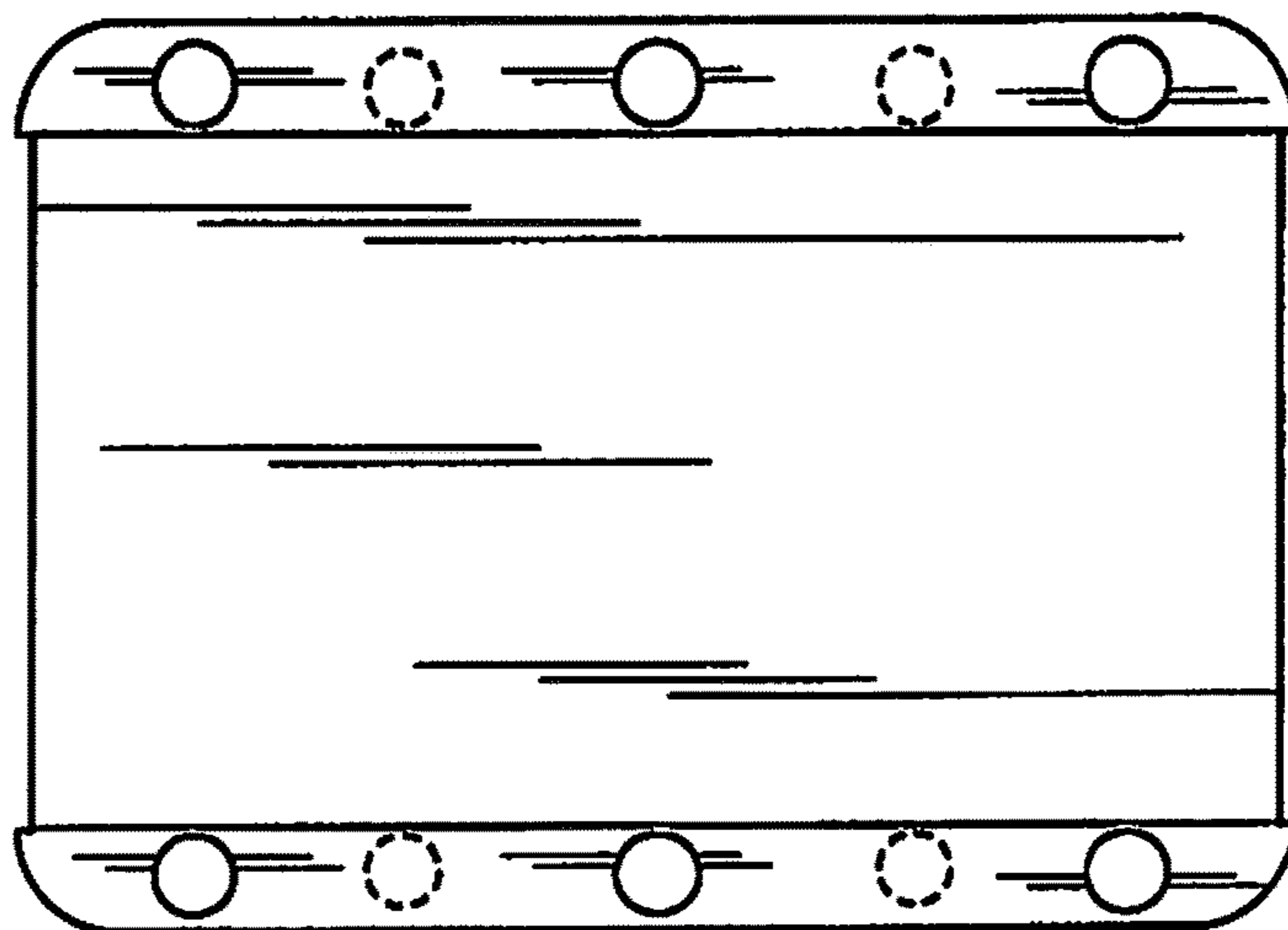


Fig. 2

Fig. 5



Fig. 4



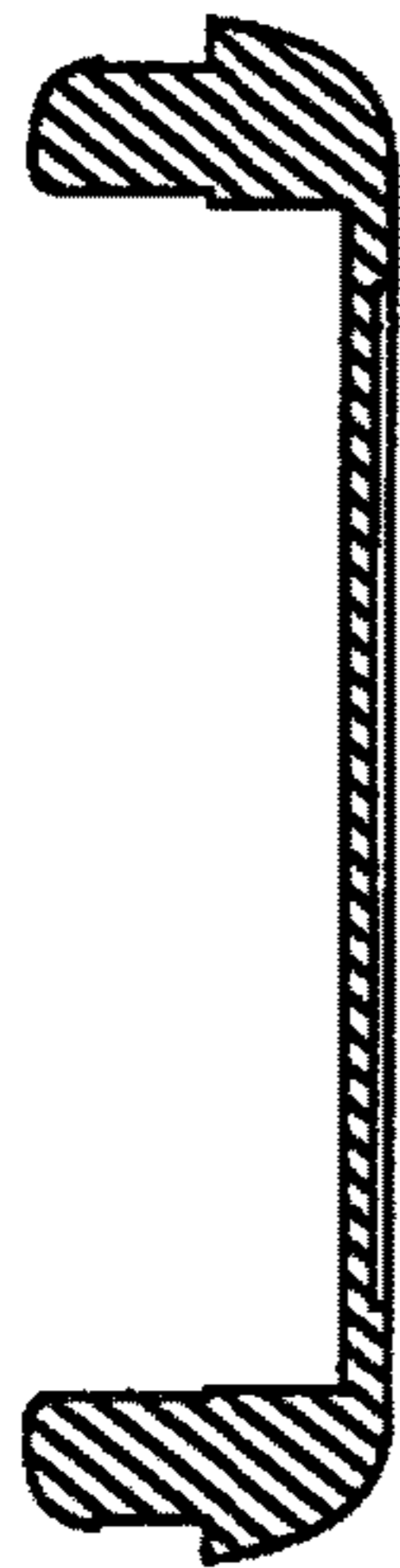


Fig. 10

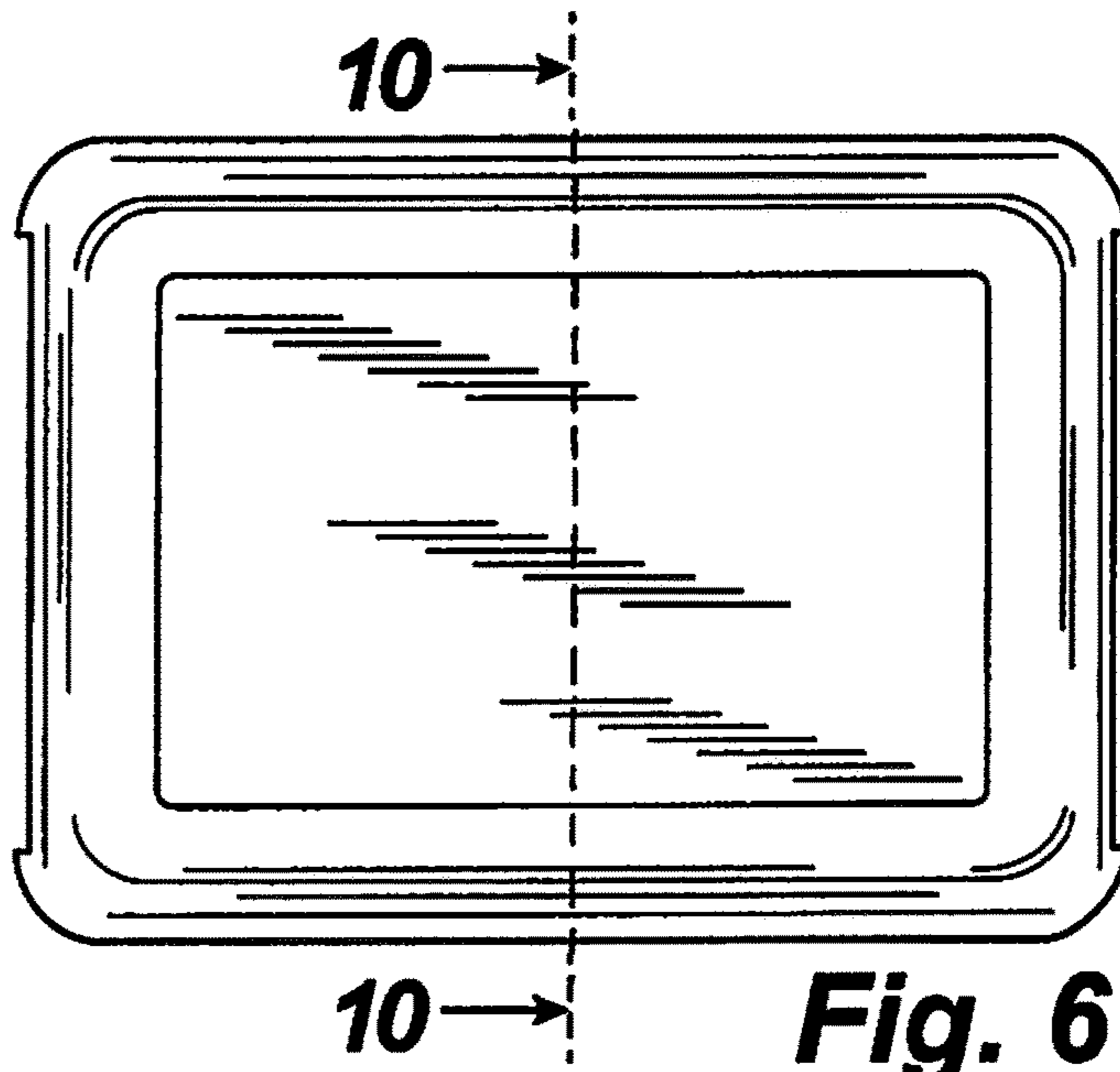


Fig. 6

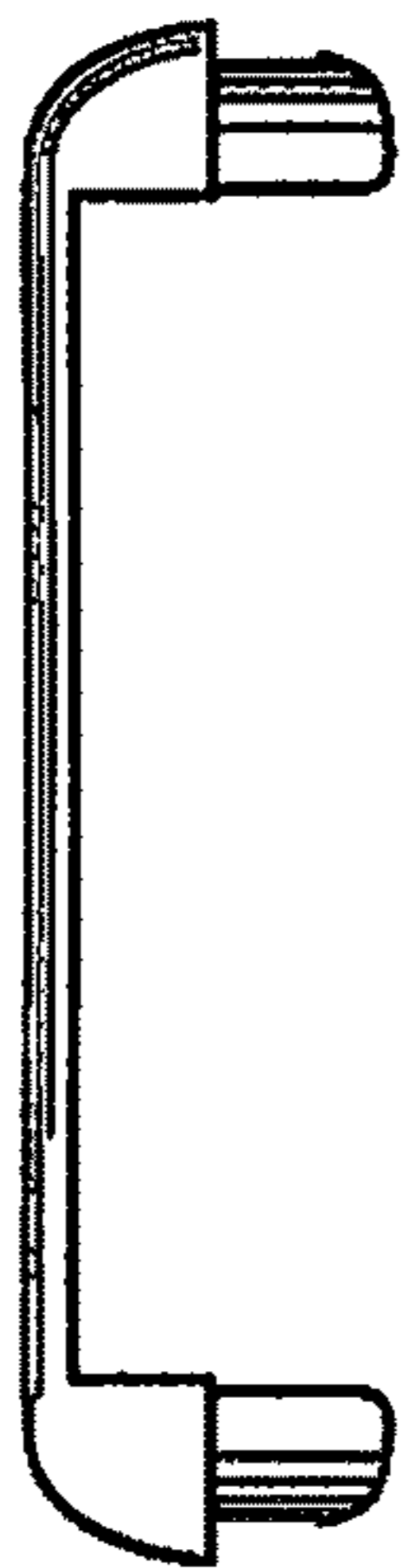


Fig. 7

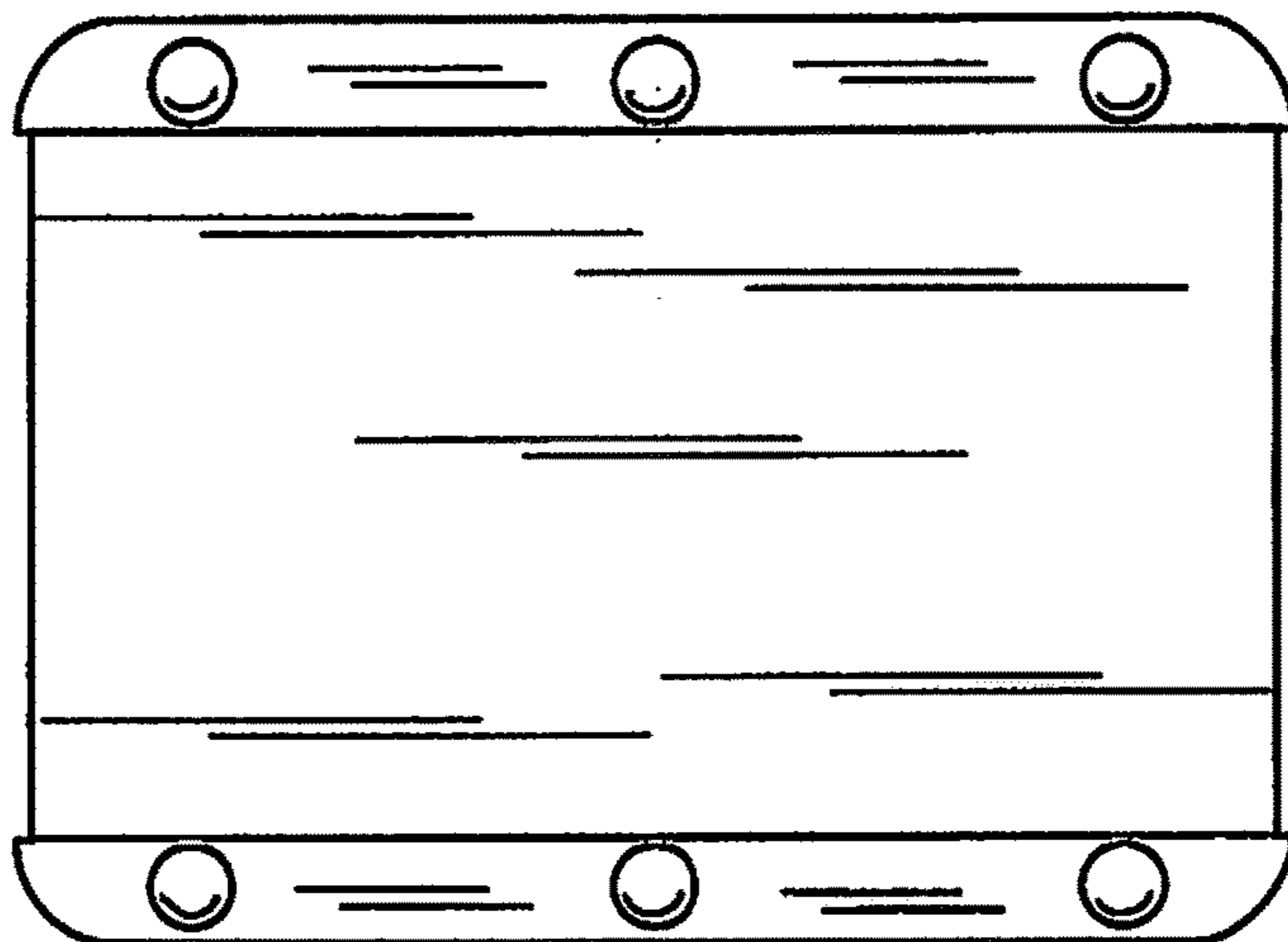
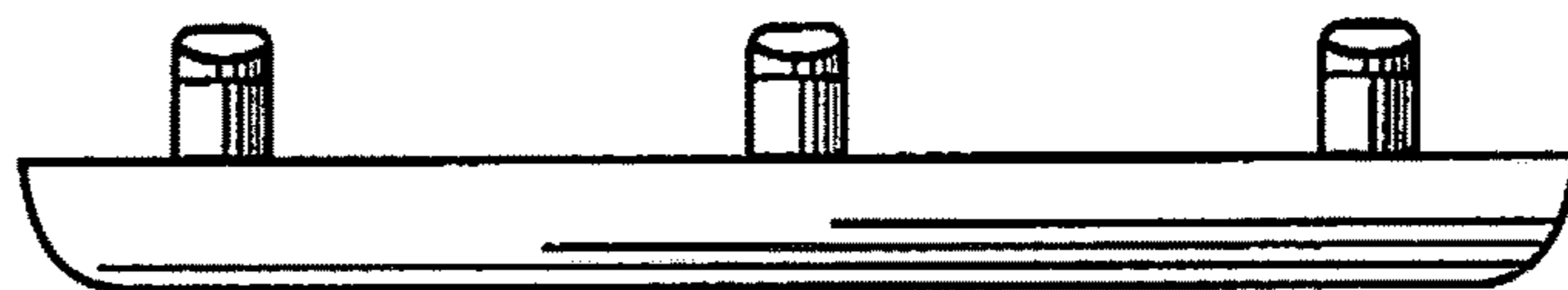


Fig. 8

Fig. 9



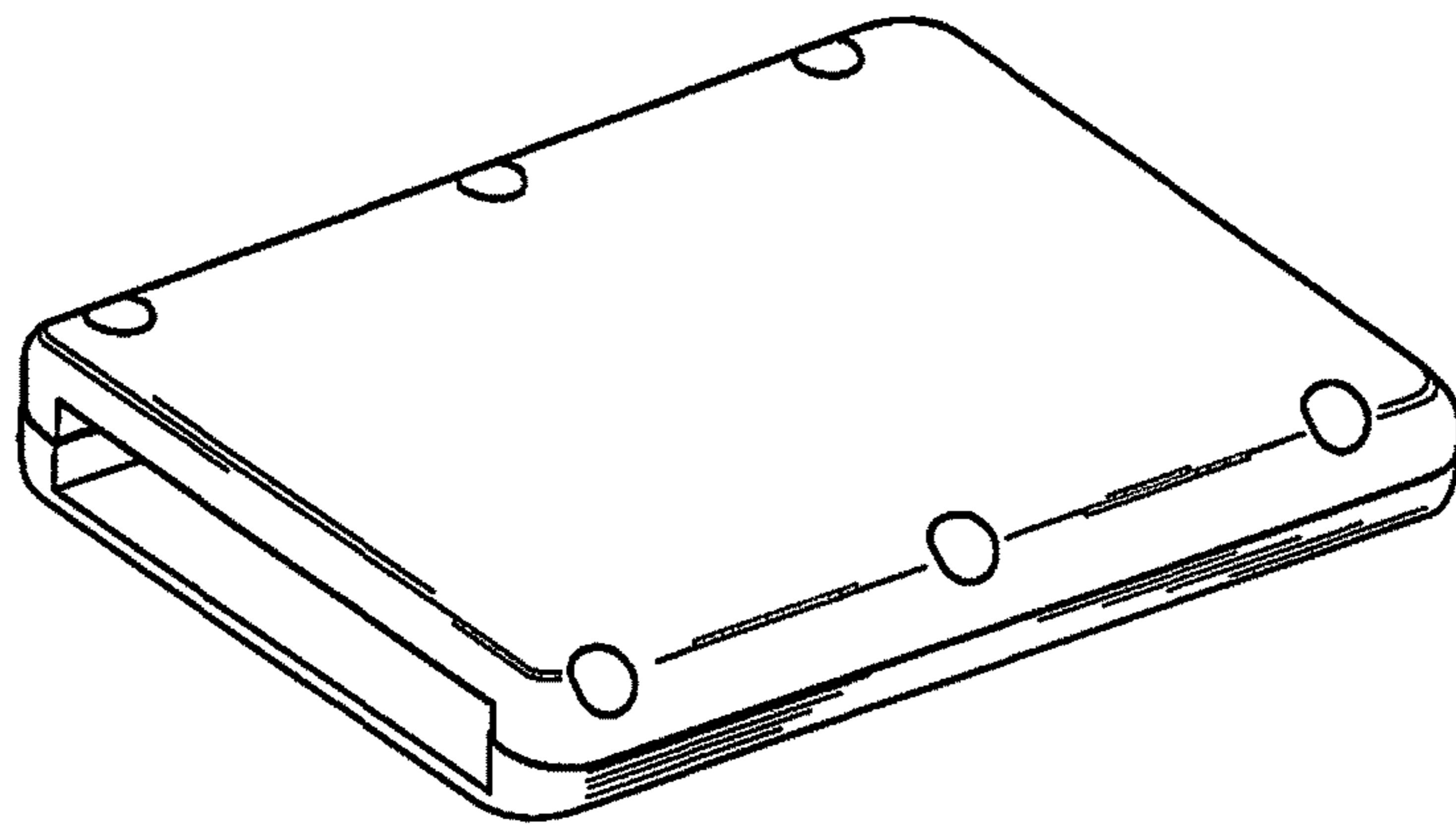


Fig. 11