



US00D797189S

(12) **United States Design Patent**  
**Beckman et al.**

(10) **Patent No.:** **US D797,189 S**

(45) **Date of Patent:** **\*\* Sep. 12, 2017**

(54) **HOLIDAY CALENDAR**

(71) Applicant: **Target Brands, Inc.**, Minneapolis, MN (US)

(72) Inventors: **Jennifer A. Beckman**, Minneapolis, MN (US); **Douglas Le'Spencer Walker**, Minneapolis, MN (US)

(73) Assignee: **Target Brands, Inc.**, Minneapolis, MN (US)

(\*\*) Term: **15 Years**

(21) Appl. No.: **29/573,693**

(22) Filed: **Aug. 9, 2016**

(51) **LOC (10) Cl.** ..... **19-03**

(52) **U.S. Cl.**  
USPC ..... **D19/25**

(58) **Field of Classification Search**  
USPC ..... D19/1-12, 20-34, 75-77, 86, 59, 91;  
40/124.01-124.15, 726, 109-110, 107,  
40/113-117, 118, 358, 649, 642.02;  
283/2-3; D20/10, 20, 27, 40, 15, 43;  
368/28, 276-278; D10/15, 2-3;  
206/214-215; 281/44, 21.1, 24;  
248/148; 211/13.1, 50, 24; D6/449;  
402/70  
CPC .. B42D 15/022; B42D 15/042; B42D 15/045;  
B42D 15/027; B42D 5/04; B42D 5/042;  
B42D 5/005; B42D 5/006  
See application file for complete search history.

(56) **References Cited**

U.S. PATENT DOCUMENTS

D334,945 S \* 4/1993 Hill ..... D19/20  
D382,299 S \* 8/1997 Silvey ..... D19/20  
D383,491 S \* 9/1997 Chang ..... D19/20  
D416,284 S \* 11/1999 O'Malley ..... D19/20  
D423,571 S \* 4/2000 Balzer ..... D19/20

D435,590 S \* 12/2000 Crawford ..... D10/3  
D549,774 S \* 8/2007 King ..... D19/20  
D721,400 S \* 1/2015 Stevens ..... D19/20  
D767,025 S \* 9/2016 Halter, II ..... D19/20

OTHER PUBLICATIONS

Design U.S. Appl. No. 29/549,430, filed Dec. 22, 2015, entitled "Advent Calendar", 11 pages.

\* cited by examiner

*Primary Examiner* — Abraham Bahta

(74) *Attorney, Agent, or Firm* — Leanne Taveggia Farrell; Westman, Champlin & Koehler, P.A.

(57) **CLAIM**

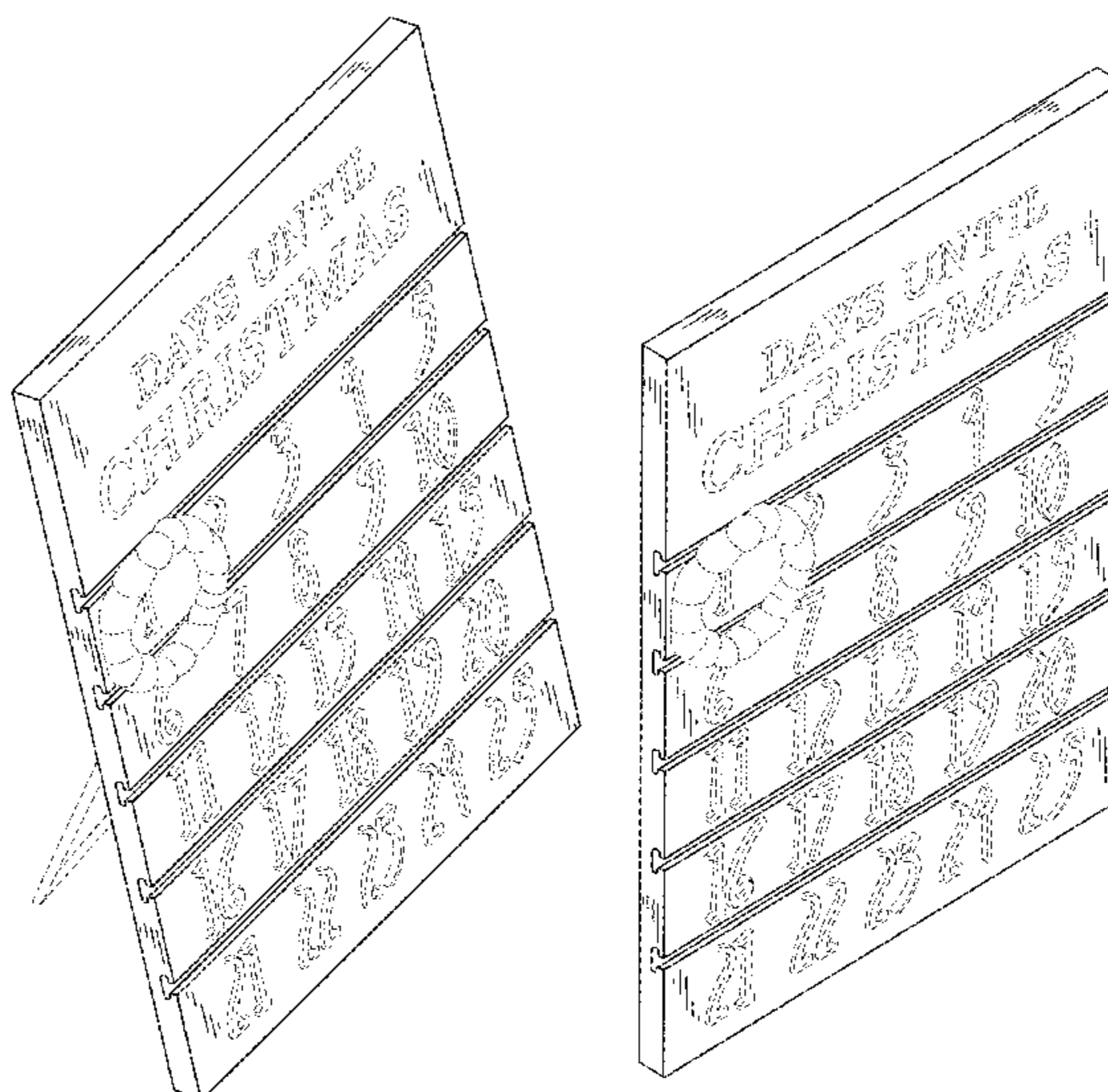
The ornamental design for a holiday calendar, as shown and described.

**DESCRIPTION**

FIG. 1 is a perspective view of the holiday calendar showing our new design;  
FIG. 2 is a front view thereof;  
FIG. 3 is a back view thereof;  
FIG. 4 is a left side view thereof;  
FIG. 5 is a right side view thereof;  
FIG. 6 is a top view thereof;  
FIG. 7 is a bottom view thereof;  
FIG. 8 is a perspective view of the holiday calendar shown in an alternate position;  
FIG. 9 is a front view of FIG. 8;  
FIG. 10 is a back view of FIG. 8;  
FIG. 11 is a left side view of FIG. 8;  
FIG. 12 is a right side view of FIG. 8;  
FIG. 13 is a top view of FIG. 8; and,  
FIG. 14 is a bottom view of FIG. 8.

The broken lines shown in the drawings are included for the purpose of illustrating portions of the holiday calendar and form no part of the claimed design.

**1 Claim, 9 Drawing Sheets**



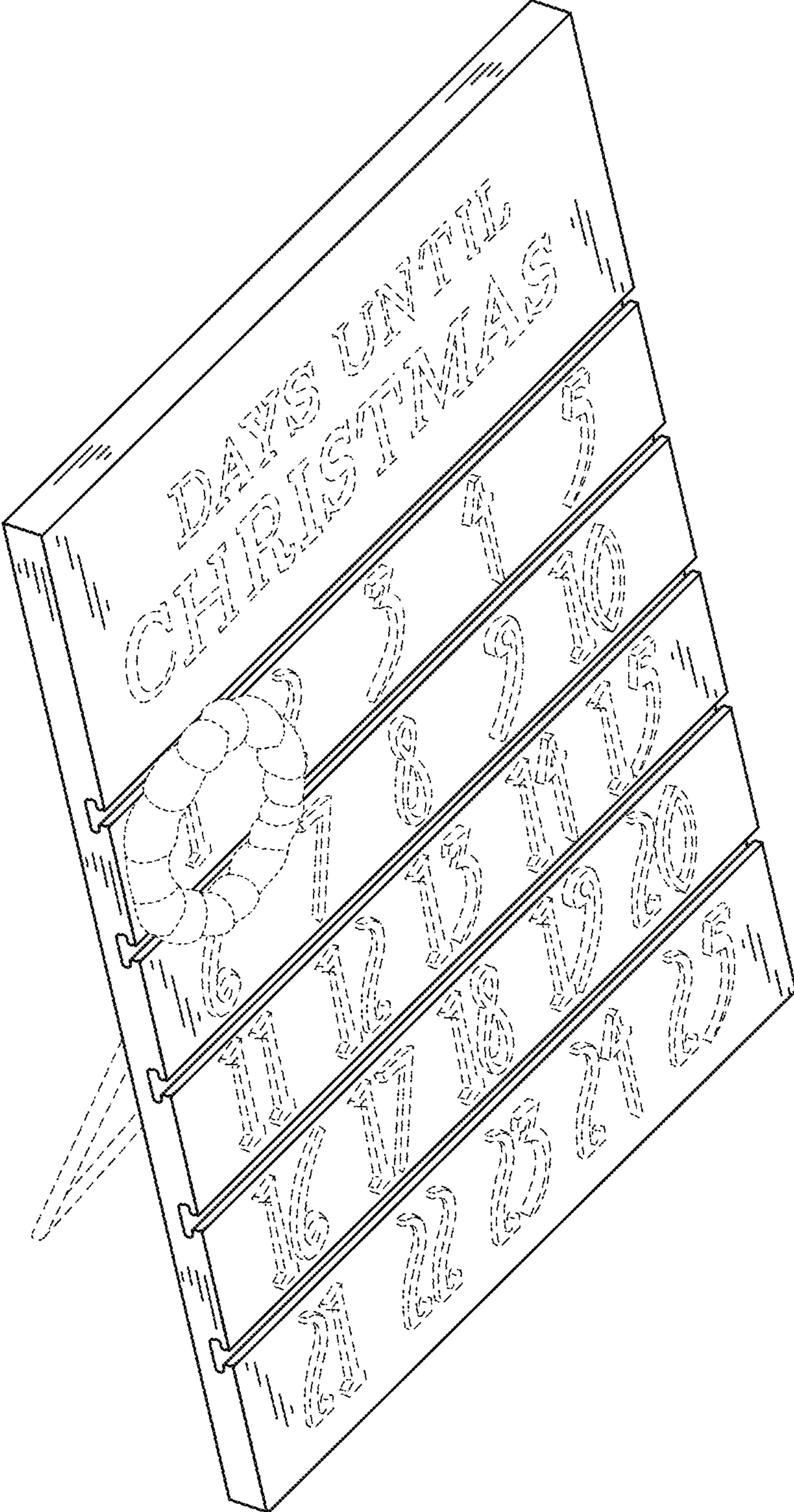


Fig. 1

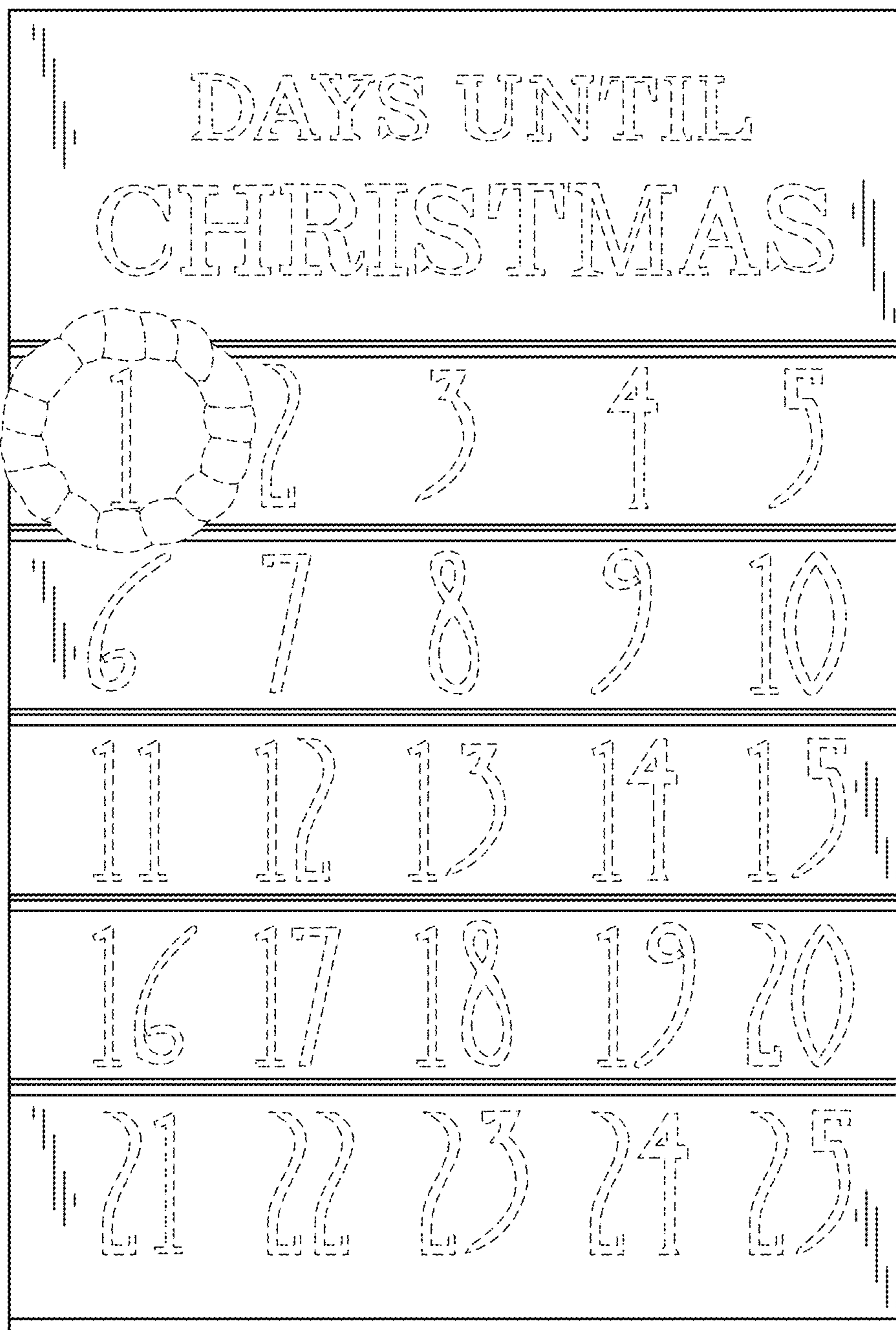


Fig. 2

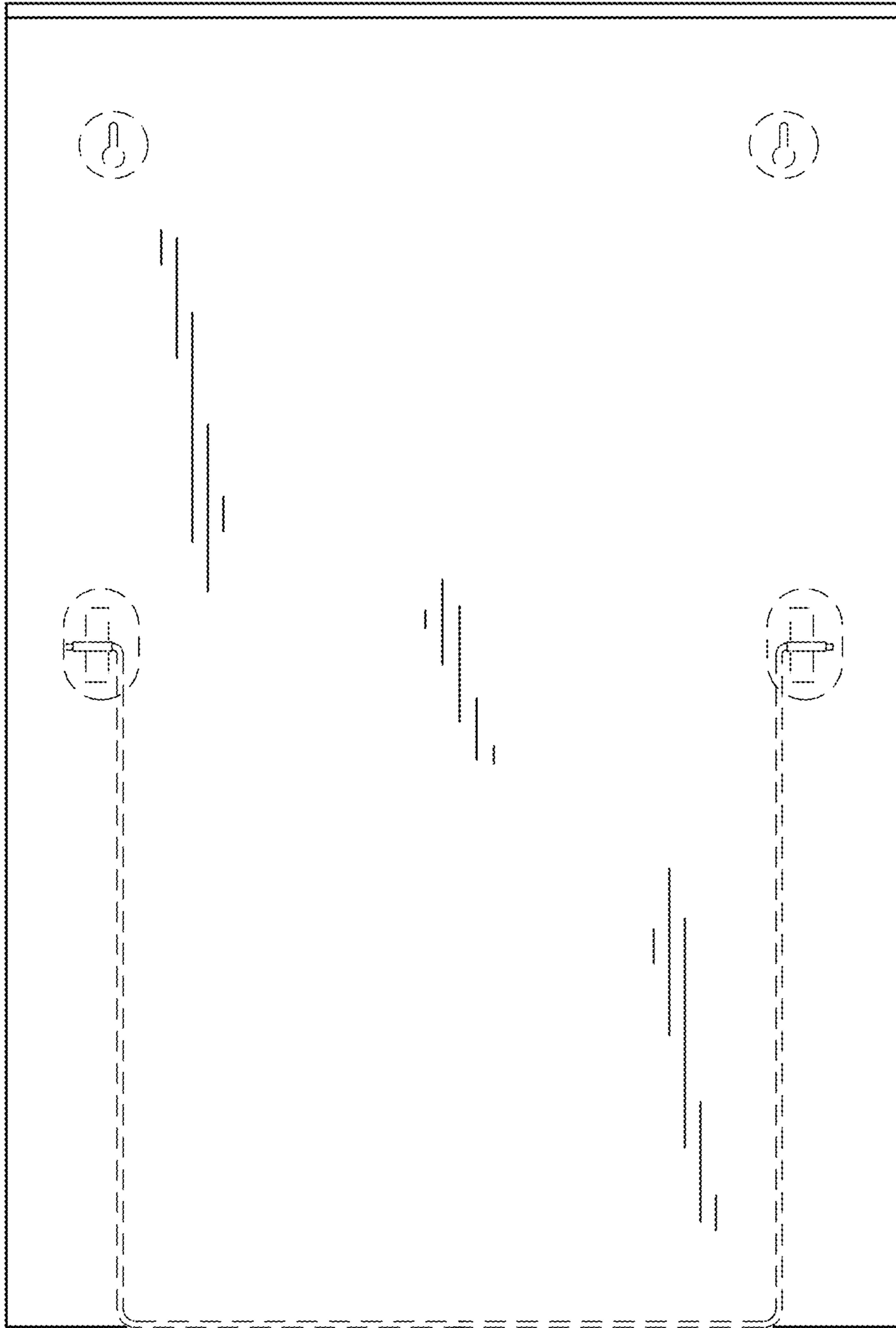


Fig. 3

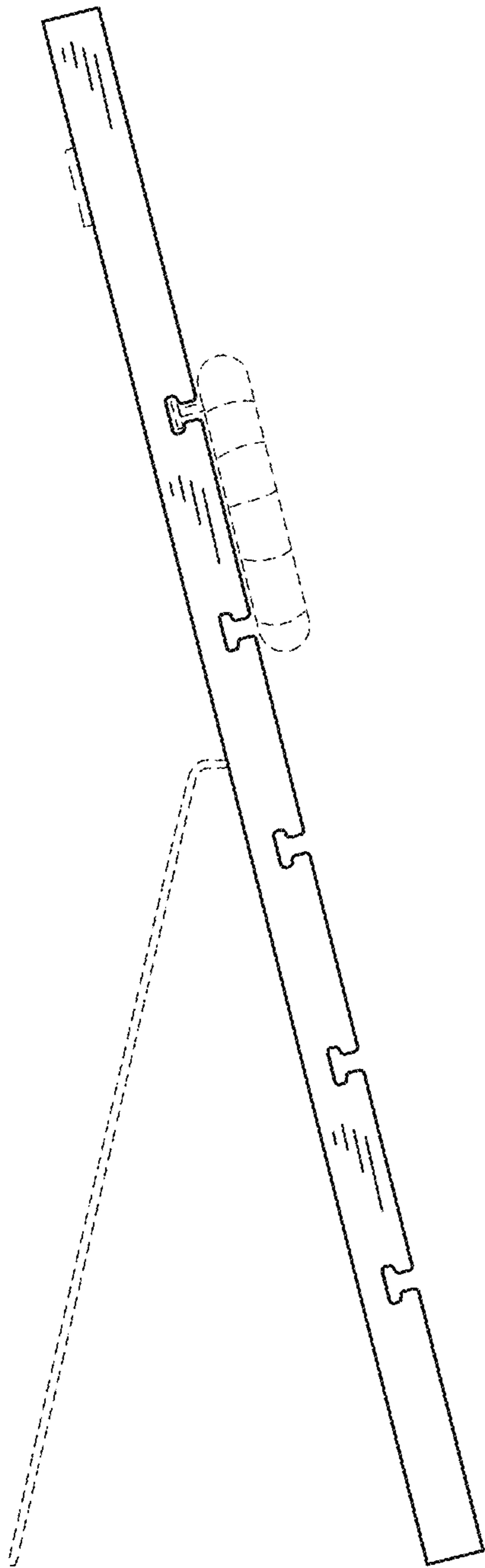


Fig. 4

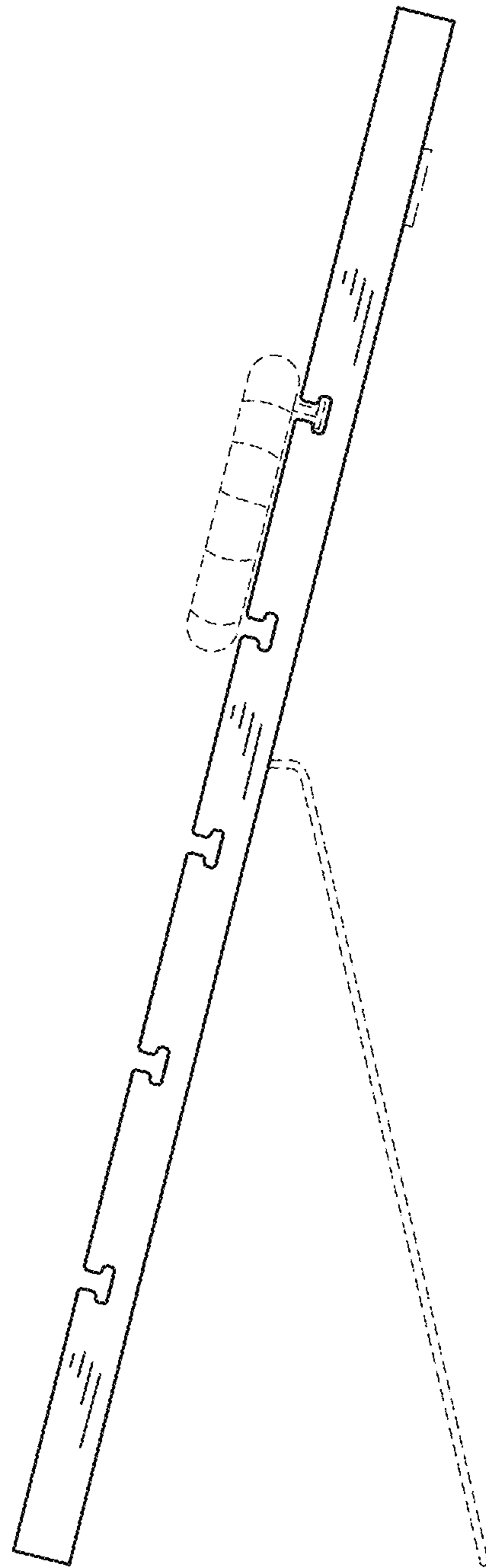
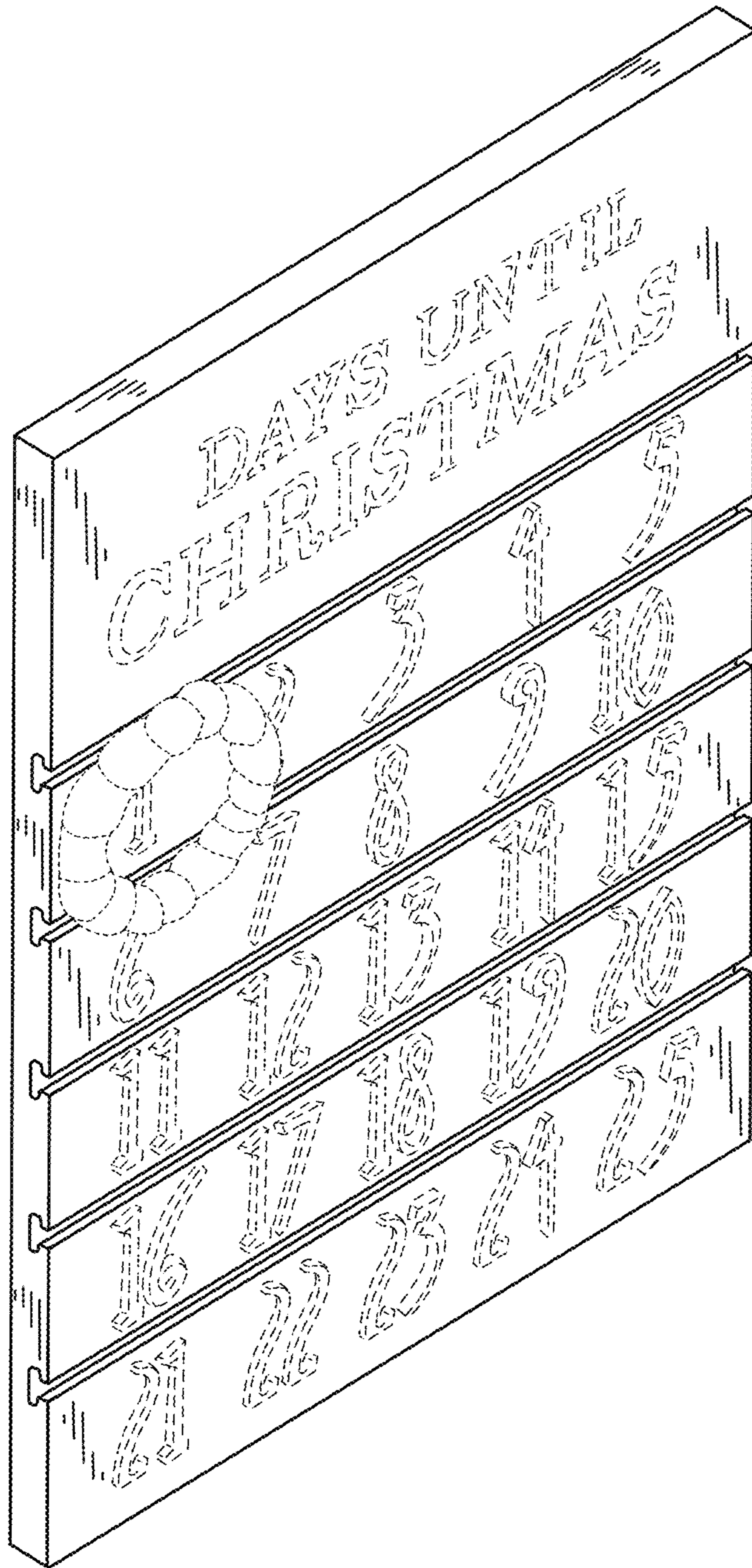


Fig. 5





**Fig. 8**

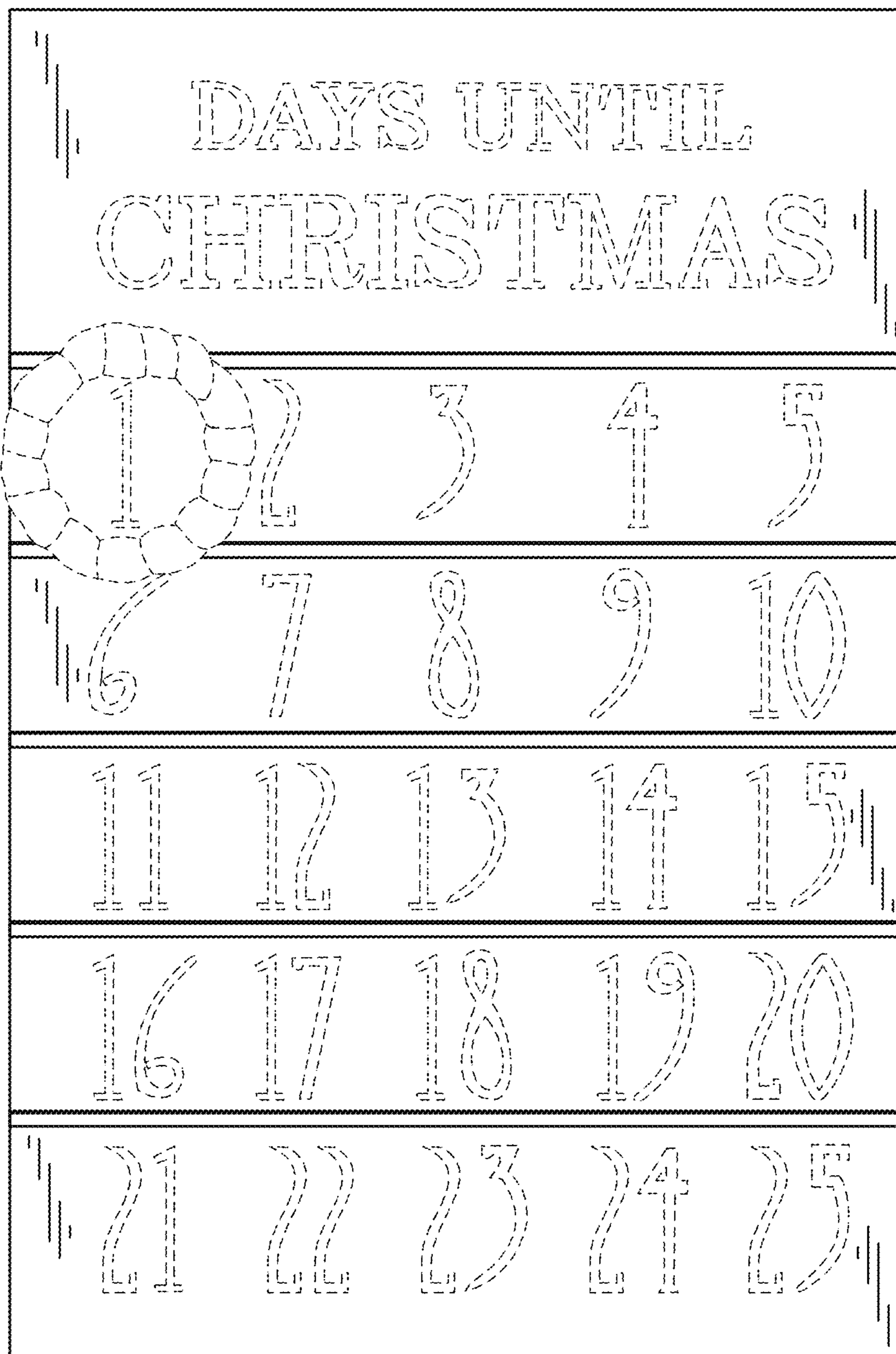


Fig. 9



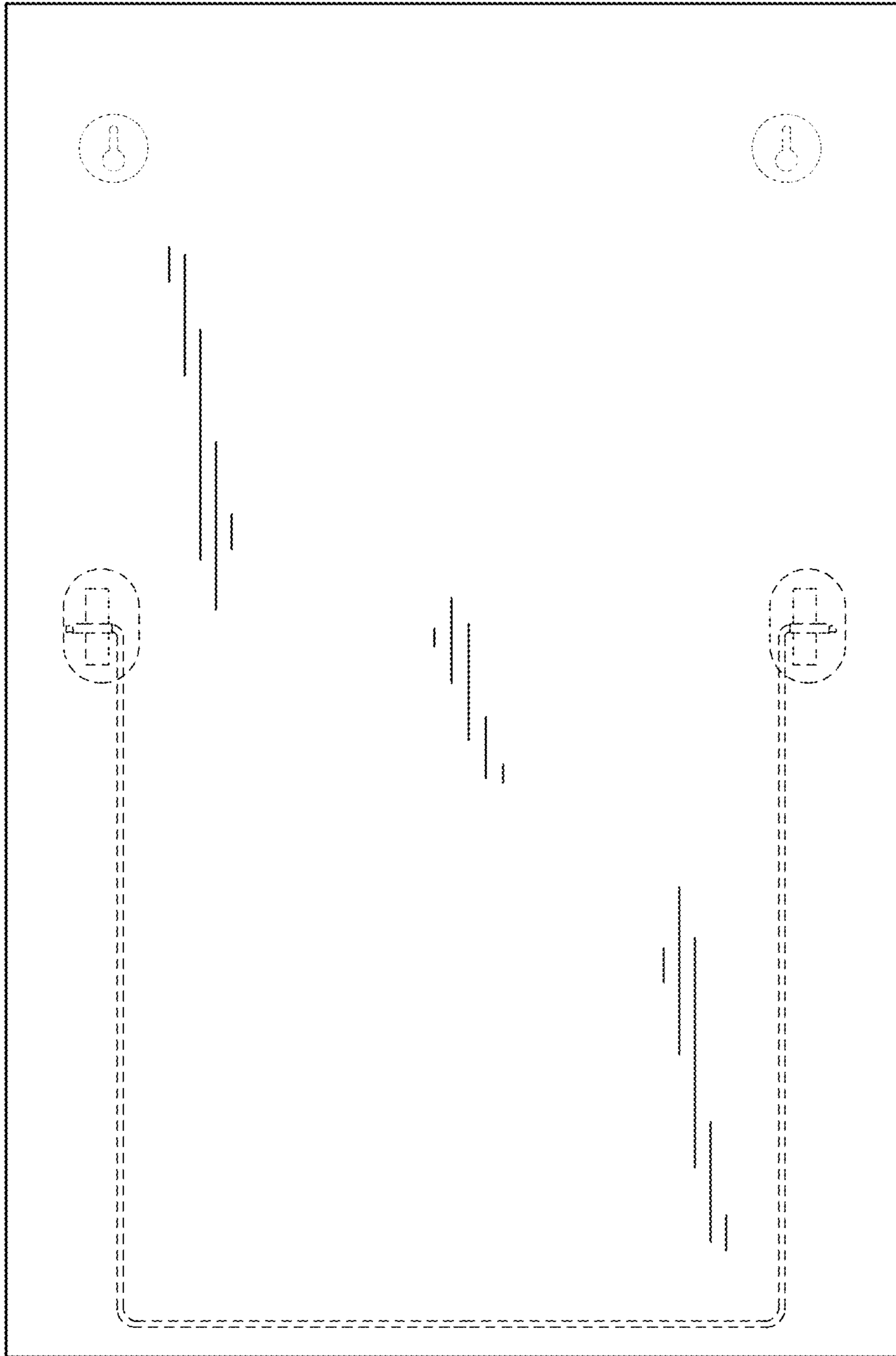


Fig. 10

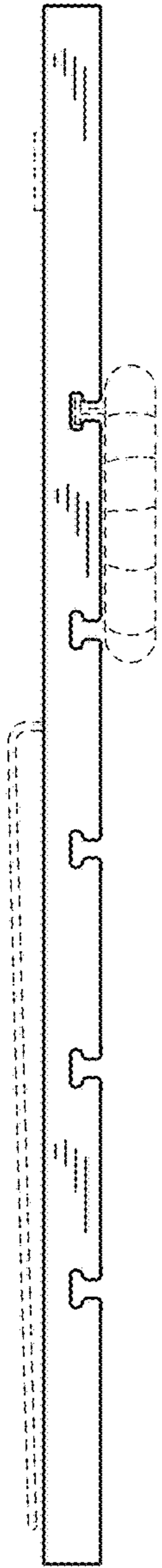


Fig. 11

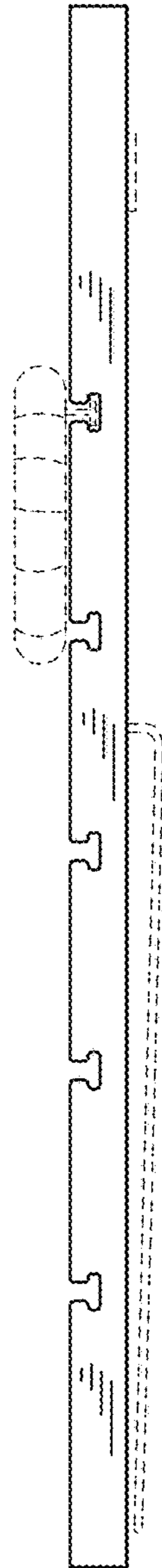


Fig. 12

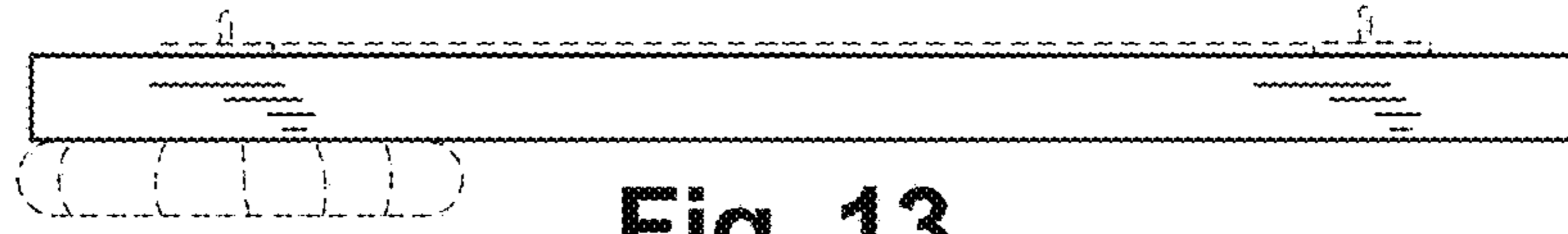


Fig. 13

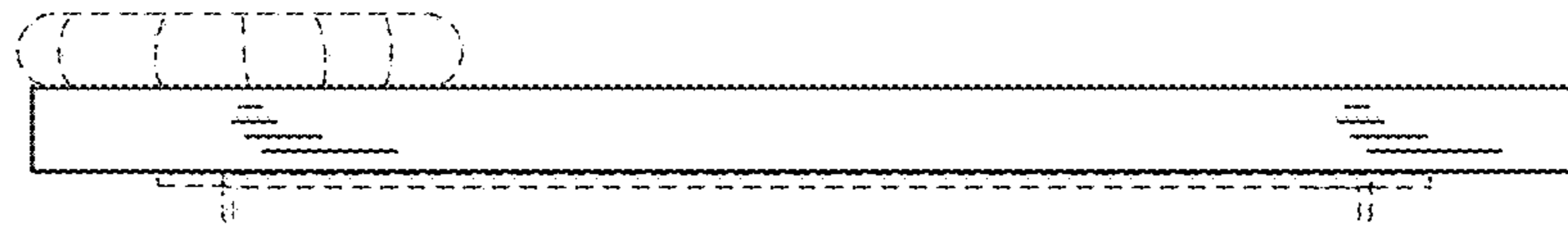


Fig. 14