



US00D797179S

(12) **United States Design Patent** (10) **Patent No.:** **US D797,179 S**  
**Dordick** (45) **Date of Patent:** **\*\* Sep. 12, 2017**

(54) **TRIPOD HEAD**

(71) Applicant: **Scott David Dordick**, La Verne, CA (US)

(72) Inventor: **Scott David Dordick**, La Verne, CA (US)

(\*\*) Term: **15 Years**

(21) Appl. No.: **29/562,234**

(22) Filed: **Apr. 23, 2016**

(51) **LOC (10) Cl.** ..... **16-05**

(52) **U.S. Cl.**  
USPC ..... **D16/245**

(58) **Field of Classification Search**  
USPC ..... D16/134, 136, 210–219, 235, 237–245,  
D16/250; D14/217, 229, 250–253  
CPC ..... G03B 17/02; G03B 17/04; G03B 17/14;  
G03B 17/56; G03B 17/561–17/568;  
G03B 7/00–7/002; G03B 7/02–7/04;  
G03B 7/14; G03B 21/20–21/2066; F16M  
11/02; F16M 11/04; F16M 11/20; F16M  
11/40

See application file for complete search history.

(56) **References Cited**

**U.S. PATENT DOCUMENTS**

D245,988 S *	10/1977	Miller	.....	D16/245
D246,528 S *	11/1977	Miller	.....	D16/245
D262,635 S *	1/1982	Iwasaki	.....	D16/245
D276,730 S *	12/1984	Nakatani	.....	D16/245
D289,899 S *	5/1987	Iwasaki	.....	D16/245
D323,339 S *	1/1992	Ishikawa	.....	D16/245
D327,085 S *	6/1992	Miyauchi	.....	D16/245
D483,788 S *	12/2003	Dordick	.....	D16/242
D483,789 S *	12/2003	Dordick	.....	D16/242
D484,168 S *	12/2003	Dordick	.....	D16/242
D525,642 S *	7/2006	Yamaguchi	.....	D16/245
D564,010 S *	3/2008	Dordick	.....	D16/242
D564,567 S *	3/2008	Dordick	.....	D16/242
D591,325 S *	4/2009	Dordick	.....	D16/242

D596,658 S *	7/2009	Dordick	.....	D16/242
D600,736 S *	9/2009	Zen	.....	D16/242
D603,442 S *	11/2009	Dordick	.....	D16/242
2006/0175482 A1 *	8/2006	Johnson	.....	F16M 11/14 248/176.1
2007/0152116 A1 *	7/2007	Madsen	.....	F16M 11/14 248/181.1

**FOREIGN PATENT DOCUMENTS**

CN 201330435087 \* 9/2013

**OTHER PUBLICATIONS**

Acratech Nomad Ball Head. [online] Published date Nov. 23, 2016. Retrieved on Mar. 3, 2017 from <URL: <https://www.amazon.com/Acratech-Nomad-Ball-Head/dp/B01NCB1QJG>>.\*

What makes the GP Ballhead better? [online] Published date Jun. 2, 2010. Retrieved on Mar. 3, 2017 from <URL: <https://www.youtube.com/watch?v=XKoNUPilNy4>>.\*

\* cited by examiner

*Primary Examiner* — Vy Koenig  
*Assistant Examiner* — Omeed Agilee

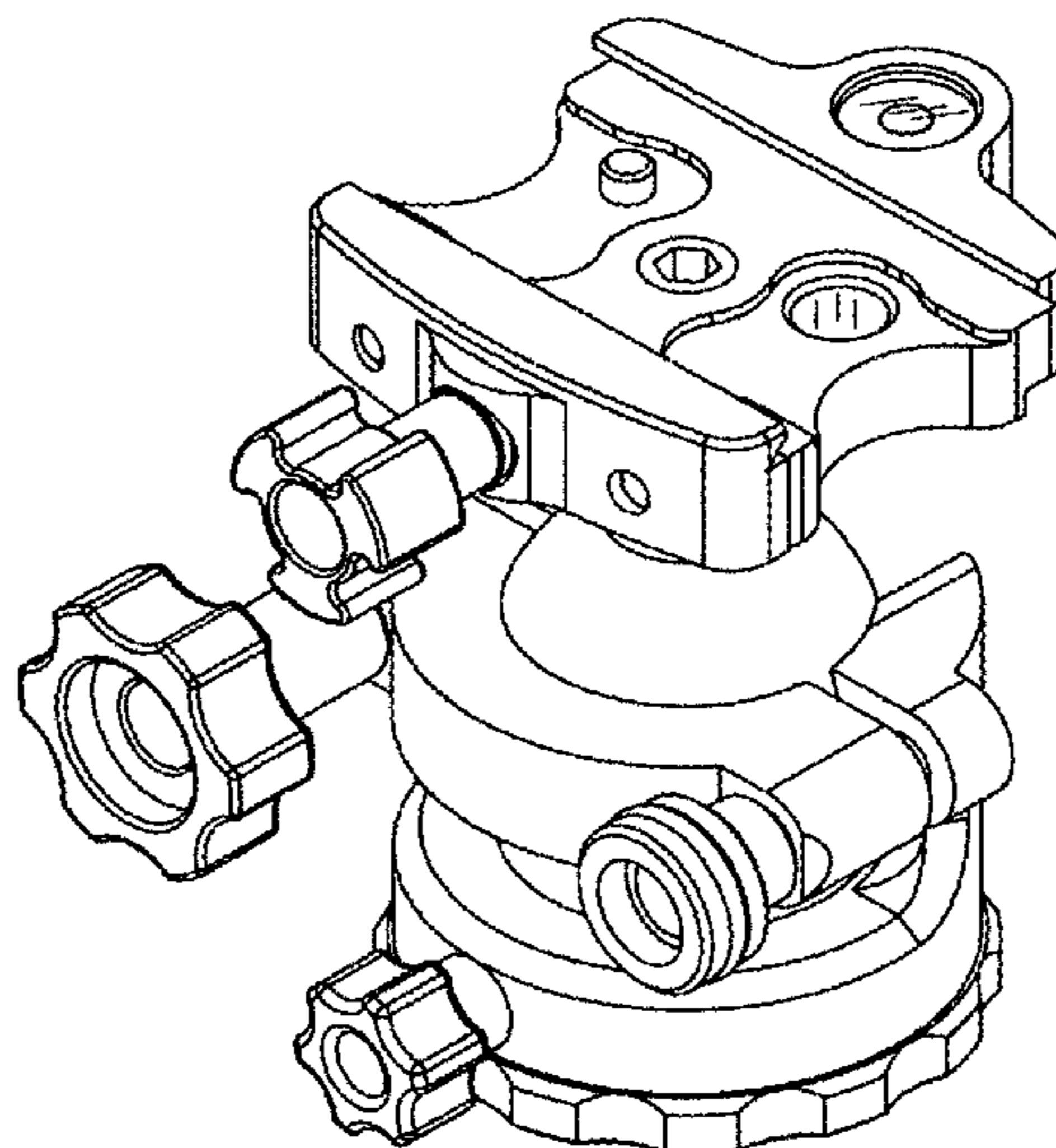
(57) **CLAIM**

The ornamental design for a tripod head, as shown and described.

**DESCRIPTION**

FIG. 1 is a front, top and left perspective view of a tripod head showing my new design;  
FIG. 2 is a front elevation view thereof;  
FIG. 3 is a rear elevation view thereof;  
FIG. 4 is a left side elevation view thereof;  
FIG. 5 is a right side elevation view thereof;  
FIG. 6 is a top plan view thereof; and,  
FIG. 7 is a bottom plan view thereof.  
The broken lines depict portions of the tripod head that form no part of the claimed design.

**1 Claim, 7 Drawing Sheets**



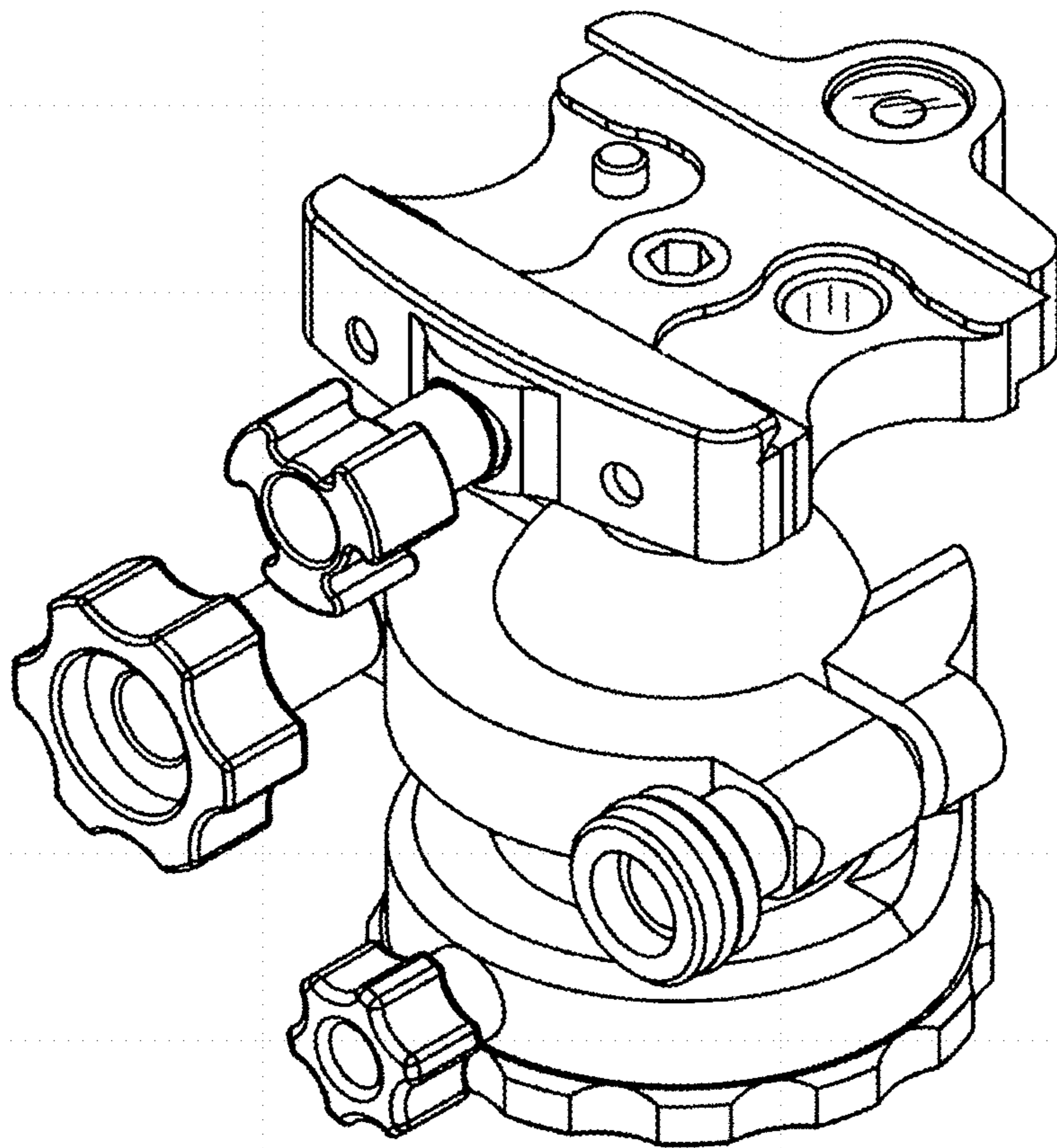


FIG. 1

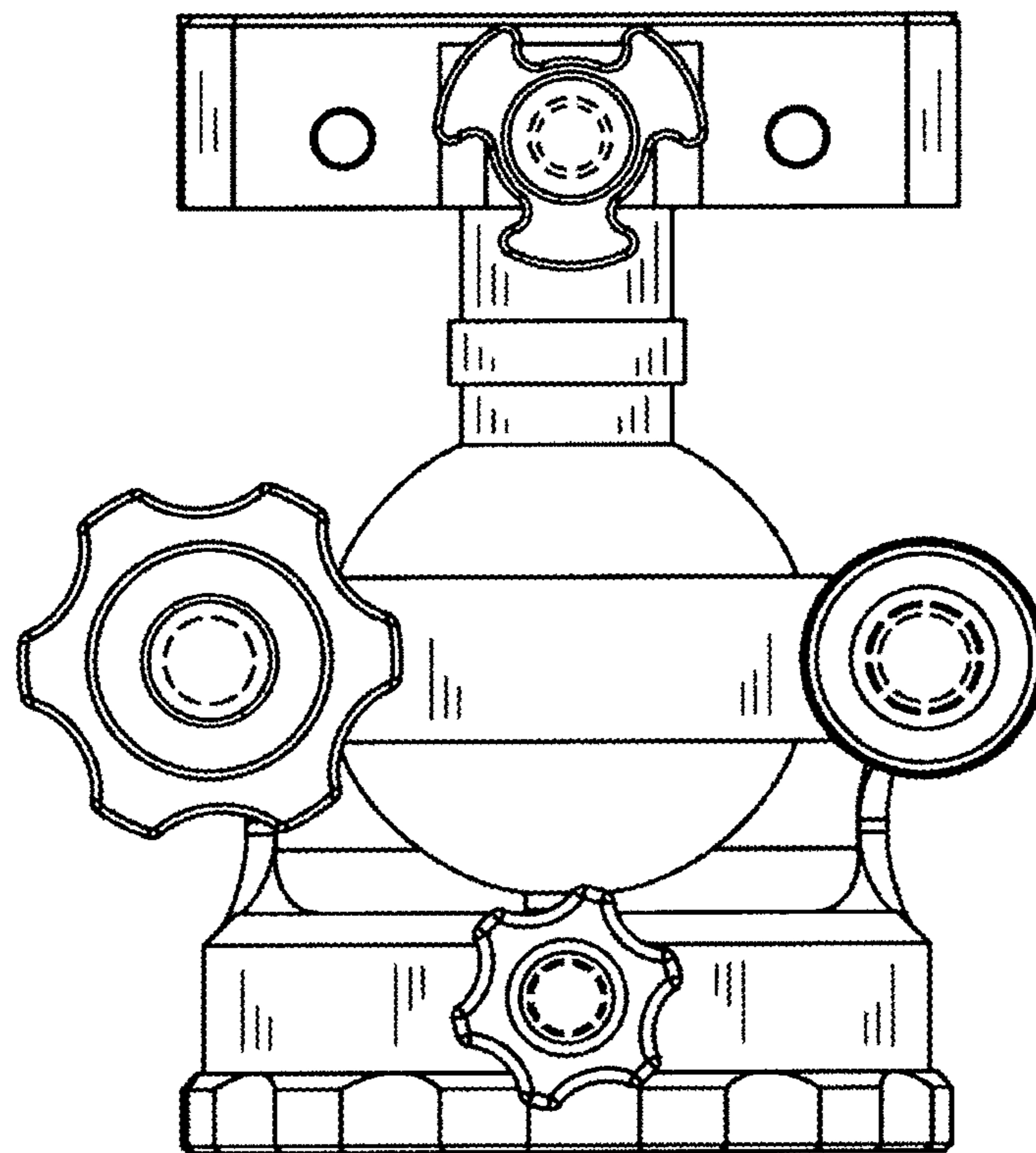


FIG. 2

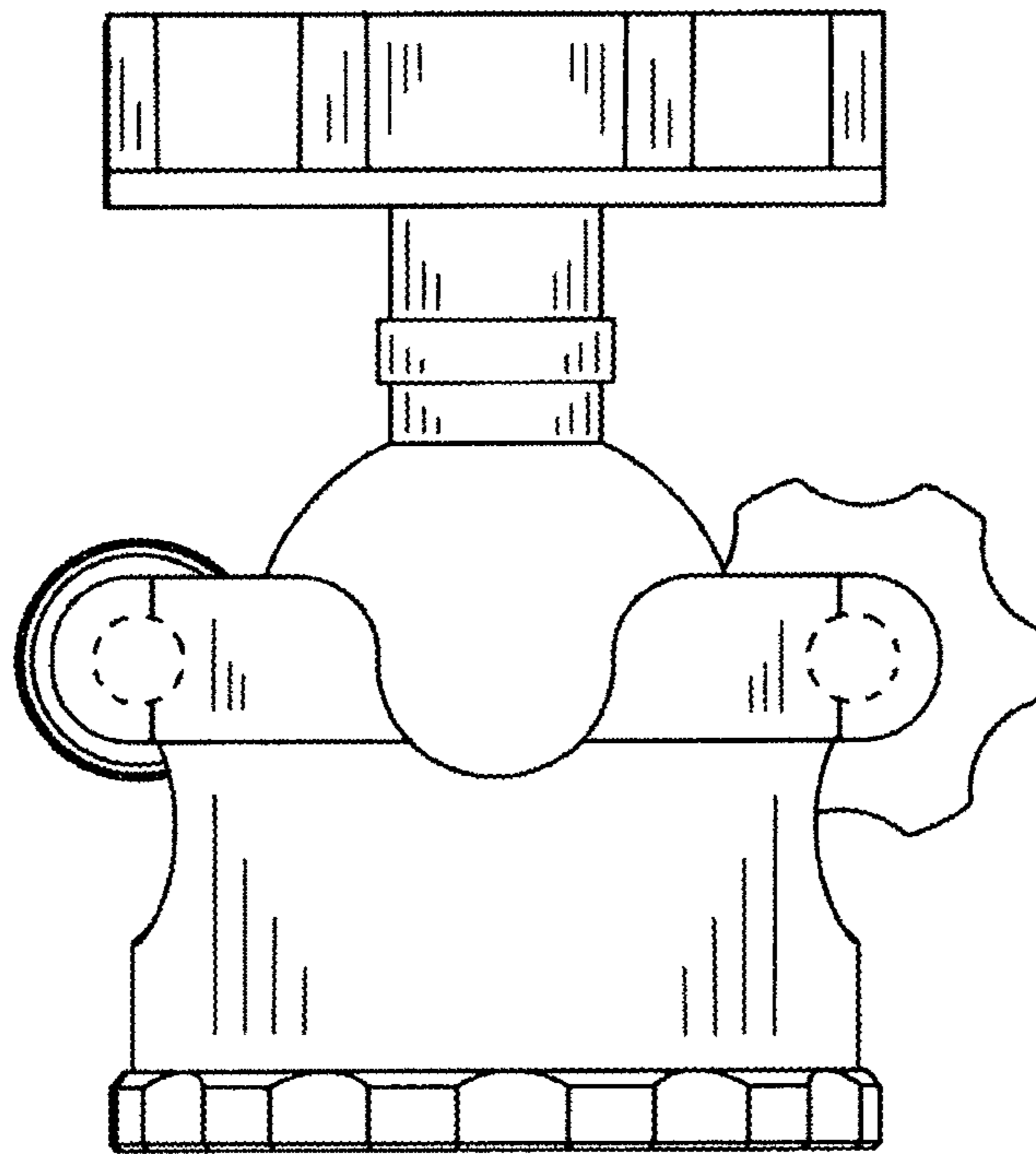


FIG. 3

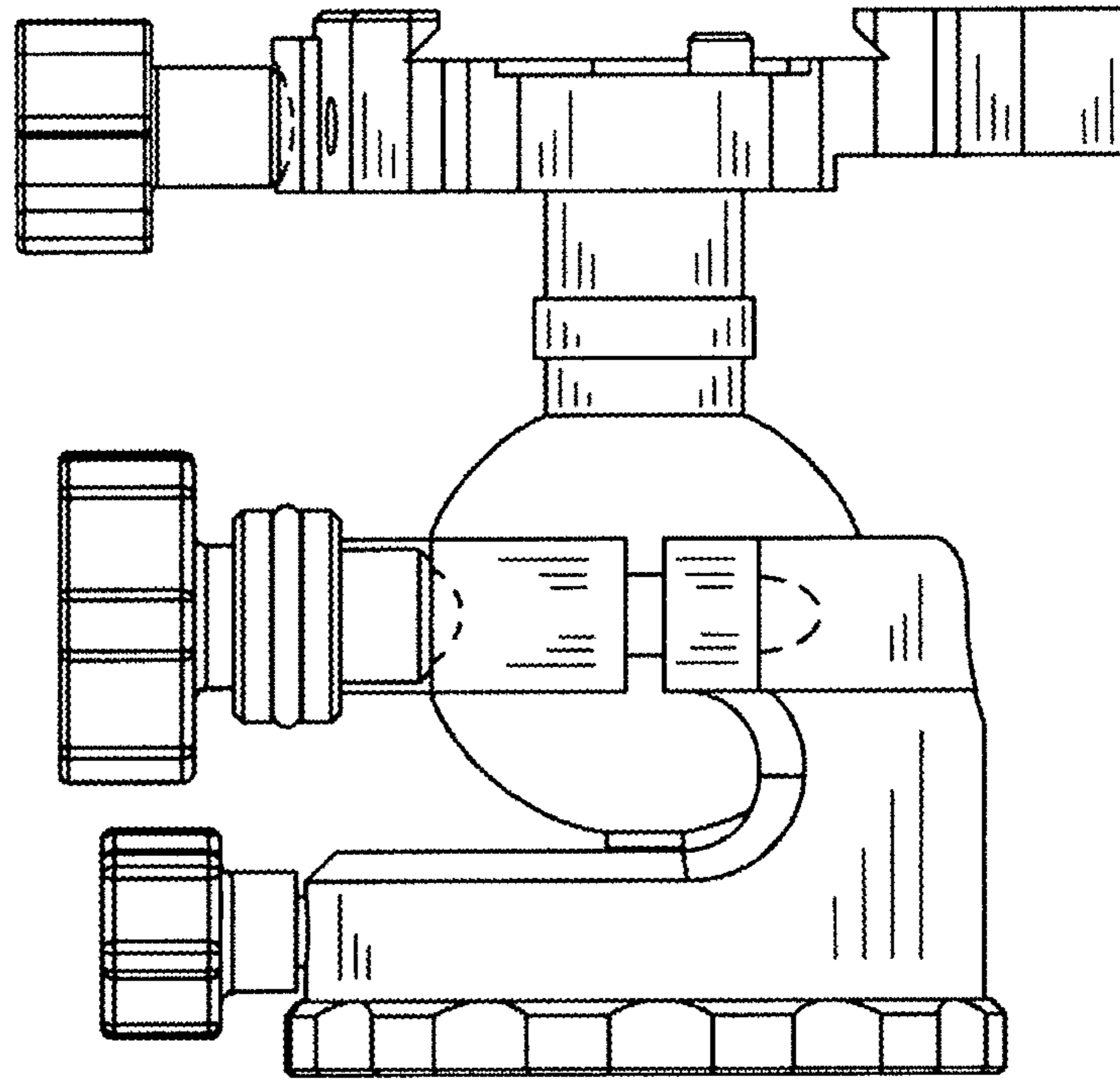


FIG. 4



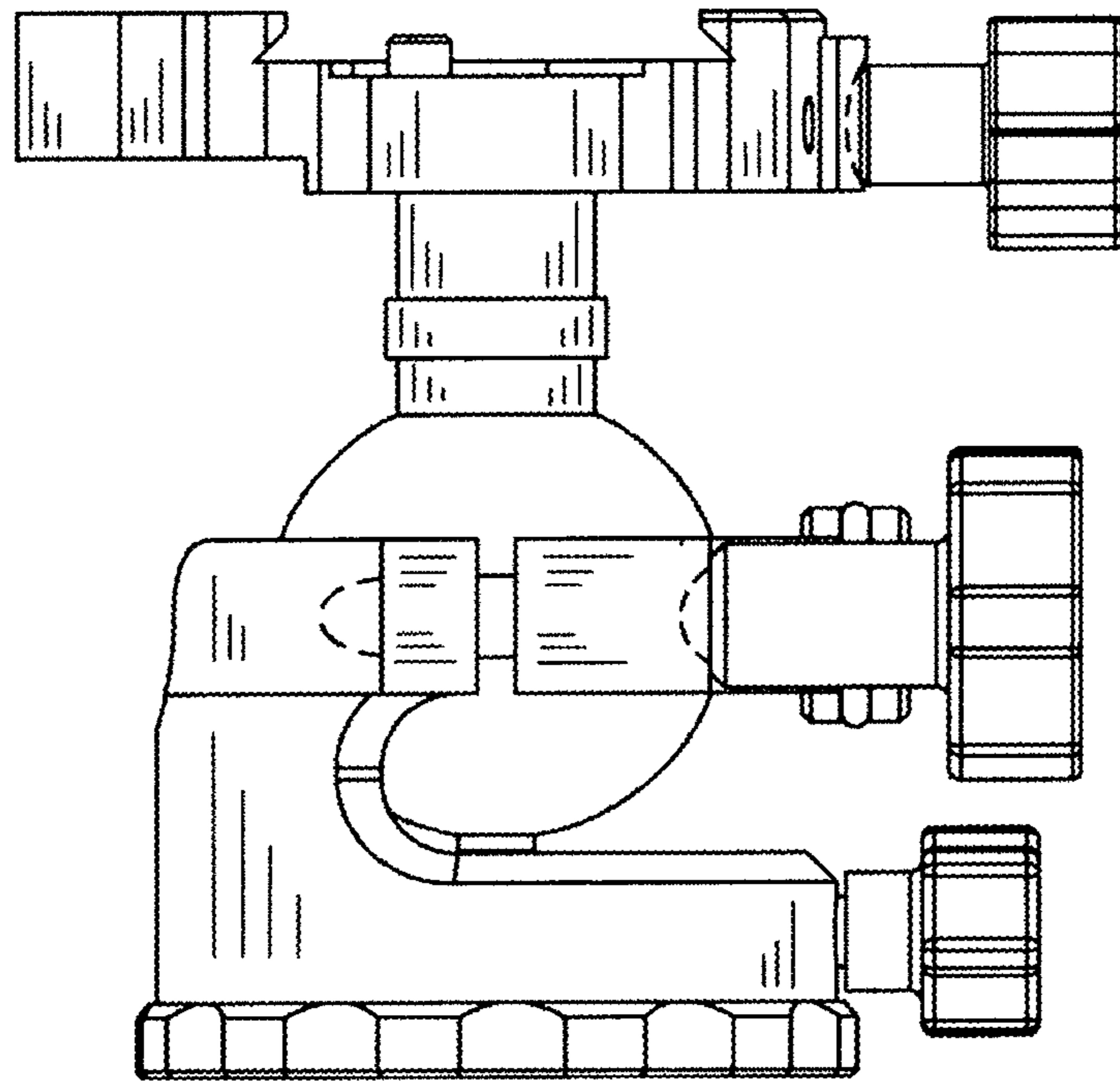


FIG. 5

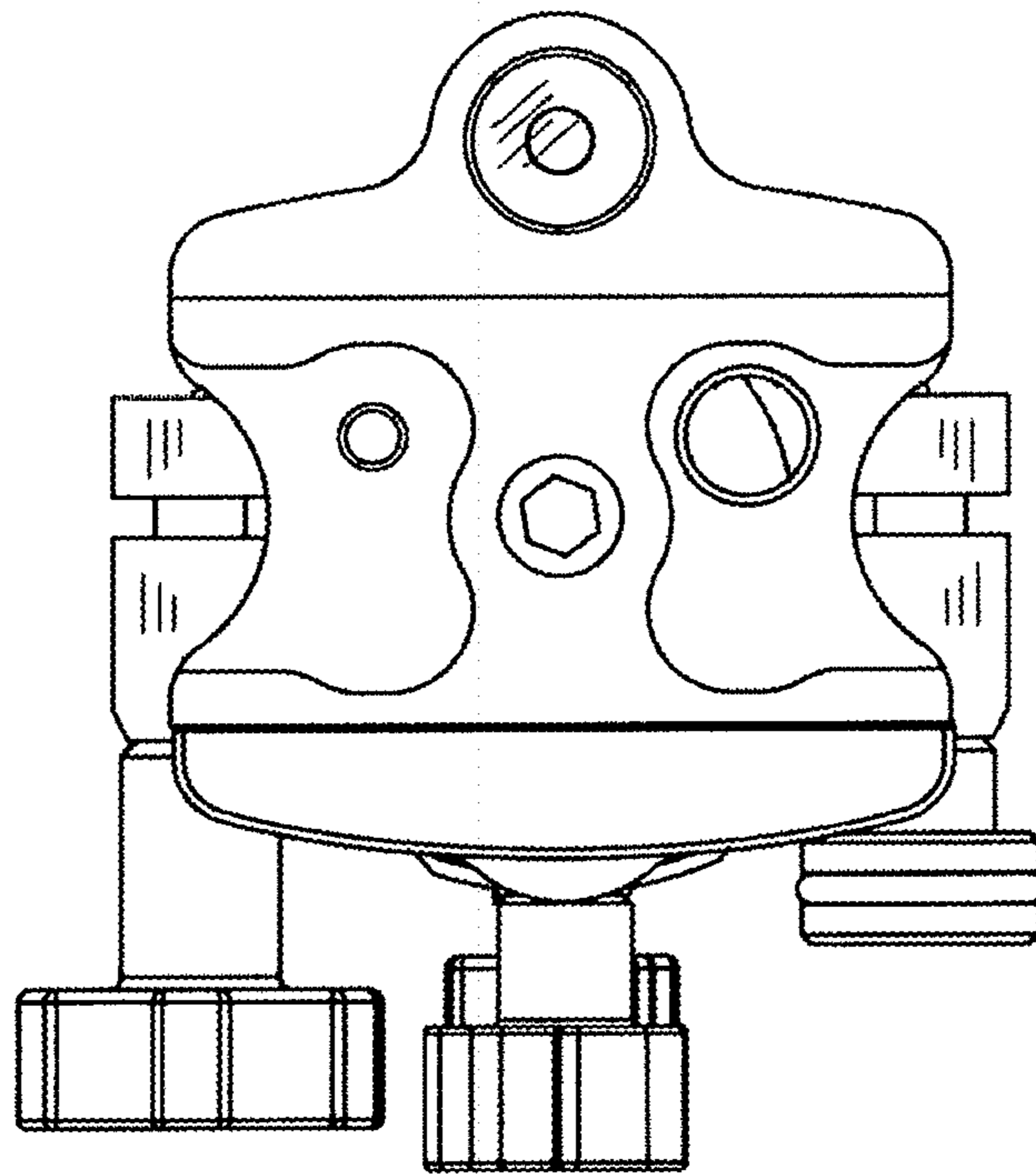


FIG. 6

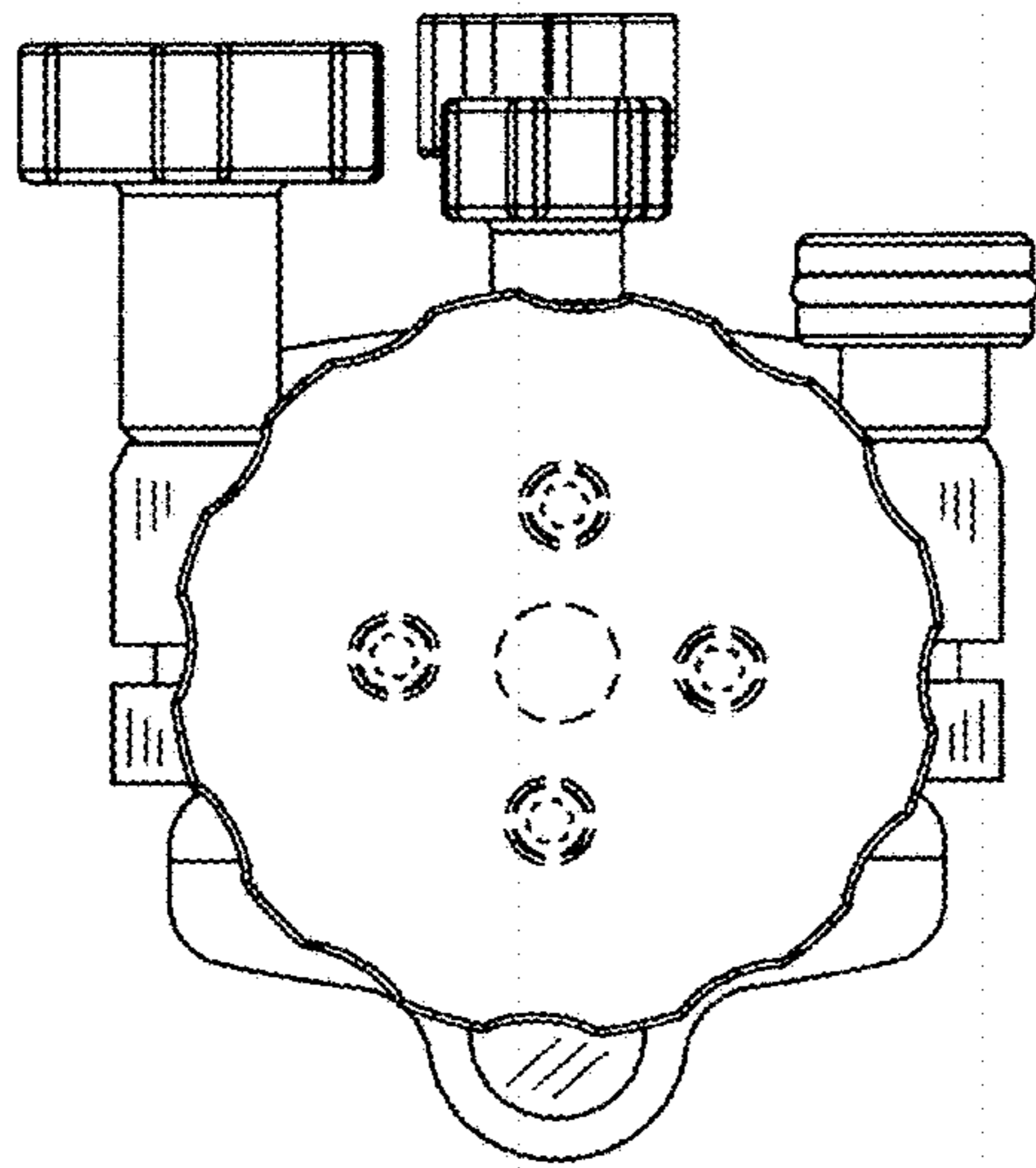


FIG. 7