



US00D797177S

(12) **United States Design Patent**
Petty et al.

(10) **Patent No.:** **US D797,177 S**
(45) **Date of Patent:** **** Sep. 12, 2017**

(54) **ELECTRONIC VIEW FINDER**

(71) Applicant: **Blackmagic Design Pty Ltd**, Port Melbourne, Victoria (AU)

(72) Inventors: **Grant Petty**, Victoria (AU); **Simon Kidd**, Victoria (AU); **Stuart Elford**, Victoria (AU); **Shannon Smith**, Victoria (AU); **Michael Cornish**, Victoria (AU); **Joel Noble**, Victoria (AU)

(73) Assignee: **Blackmagic Design Pty Ltd** (AU)

(**) Term: **15 Years**

(21) Appl. No.: **29/541,848**

(22) Filed: **Oct. 8, 2015**

(30) **Foreign Application Priority Data**

Apr. 8, 2015 (EM) 002677286-0001
Apr. 8, 2015 (EM) 002677286-0002
Apr. 8, 2015 (EM) 002677286-0003
Apr. 8, 2015 (EM) 002677286-0004

(51) **LOC (10) Cl.** **16-05**

(52) **U.S. Cl.**
USPC **D16/220**

(58) **Field of Classification Search**
USPC D16/130, 200, 202, 204, 205, 208, 219, D16/220, 237
CPC A61B 1/00195; A61B 1/012; A61B 1/018; G03B 13/02; G03B 13/06; G03B 17/563; H04N 5/2251; H04N 5/2252; H04N 5/23212; H04N 5/23293; F16M 11/041
See application file for complete search history.

(56) **References Cited**

U.S. PATENT DOCUMENTS

D195,999 S * 8/1963 Bach D16/130
D214,594 S * 7/1969 Songen D16/220
D278,907 S * 5/1985 Kurokawa D16/202
4,623,931 A * 11/1986 Inaga H04N 5/23212
348/357

(Continued)

OTHER PUBLICATIONS

“Blackmagic Ursa Viewfinder Unboxing”, posted at youtube.com, Aug. 27, 2015, [site visited Aug. 23, 2016]. Available from Internet: <https://www.youtube.com/watch?v=4jBtZAPjU_w>.*

(Continued)

Primary Examiner — Karen E Kearney

Assistant Examiner — John M Otte

(74) *Attorney, Agent, or Firm* — Saidman DesignLaw Group, LLC

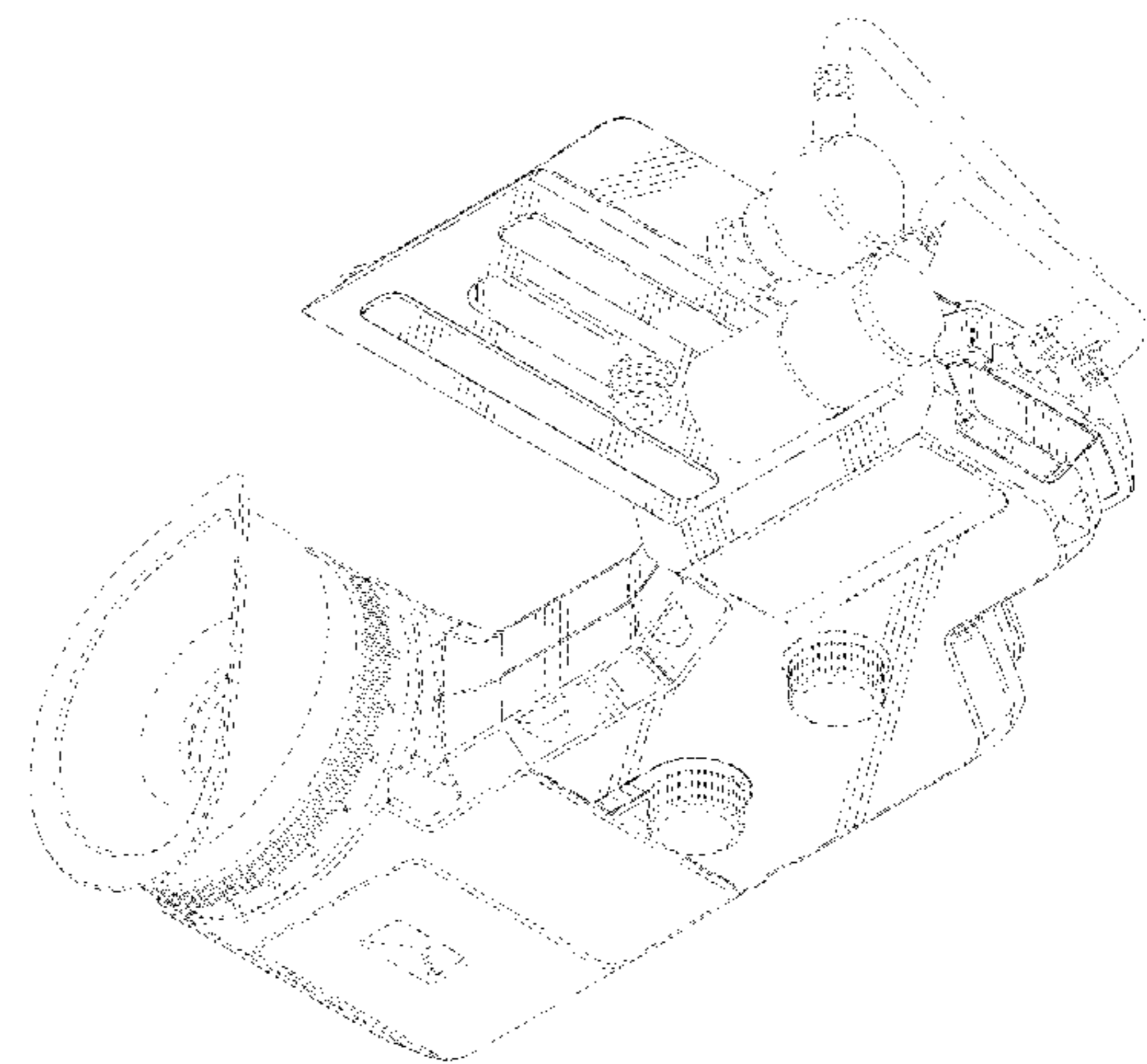
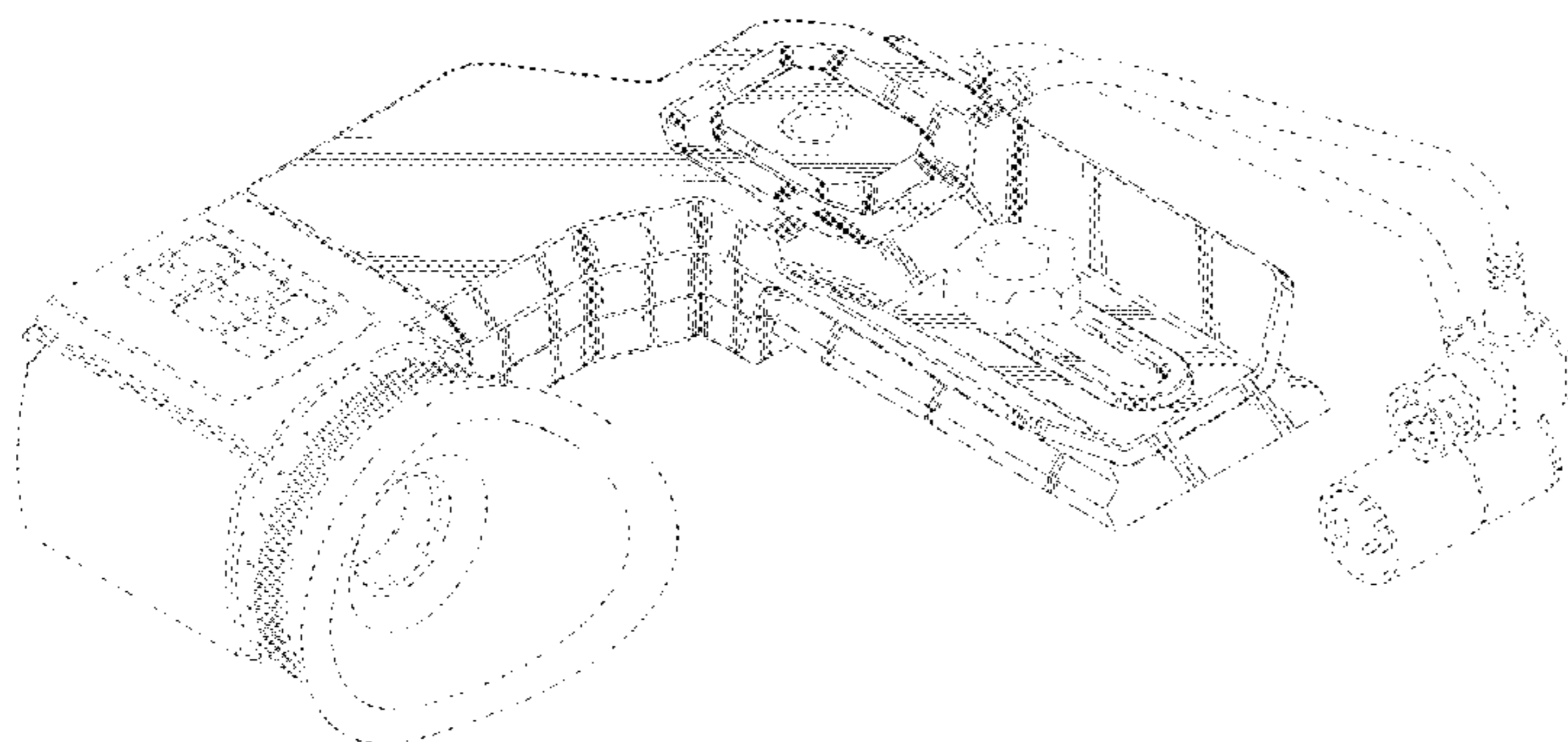
(57) **CLAIM**

The ornamental design for an electronic view finder, as shown and described.

DESCRIPTION

FIG. 1 is a rear, left, top, perspective view of an electronic view finder showing our new design;
FIG. 2 is a rear perspective view thereof in a partially extended position;
FIG. 3 is a rear, right, perspective view thereof;
FIG. 4 is a top view thereof;
FIG. 5 is a front view thereof;
FIG. 6 is a rear view thereof;
FIG. 7 is a right side view thereof;
FIG. 8 is a left side view thereof;
FIG. 9 is a bottom view thereof;
FIG. 10 is a rear, left, bottom, perspective view thereof; and,
FIG. 11 is a rear, right, bottom, perspective view thereof.
The broken lines illustrate portions of the “electronic view finder” and form no part of the claimed design.

1 Claim, 11 Drawing Sheets



(56)

References Cited

U.S. PATENT DOCUMENTS

4,926,262 A * 5/1990 Rowens, Sr. F16M 11/041
348/341
D314,782 S * 2/1991 Hong D16/202
5,152,278 A * 10/1992 Clayman A61B 1/00195
600/131
5,321,456 A * 6/1994 Yoon H04N 5/23293
348/333.07
5,495,290 A * 2/1996 Choi H04N 5/2251
348/333.08
5,767,906 A * 6/1998 Toyofuku H04N 5/2251
348/333.06
D400,226 S * 10/1998 Tenne D16/220
D412,925 S * 8/1999 Tashiro D16/220
D551,688 S * 9/2007 Uchiyama D16/202
D589,547 S * 3/2009 Yamada D16/202
7,595,837 B2 * 9/2009 Kobayashi G03B 17/563
348/373
D605,214 S * 12/2009 Mori D16/219
D613,813 S * 4/2010 Larsson D22/109
D619,190 S * 7/2010 Larsson D22/108
D622,300 S * 8/2010 Endo D16/202
D629,826 S * 12/2010 Funakoshi D16/220
7,956,922 B2 * 6/2011 Kaji G03B 13/06
348/333.07
D647,939 S * 11/2011 Jannard D16/219
2008/0198255 A1 * 8/2008 Kirihara G03B 13/02
348/341

OTHER PUBLICATIONS

“Video: LCDVFe Electronic Viewfinder Product Spotlight”, posted at blog.filmttools.com, Sep. 20, 2012, [site visited Aug. 23, 2016]. Available from Internet: <<http://blog.filmttools.com/2012/09/20/video-lcdvfe-electronic-viewfinder-product-spotlight>>.*
Wandiono, Farid, “New Electronic Viefinder for HD SLR Cameras”, posted at exposure-magz.com, Sep. 28, 2010, [site visited Aug. 23, 2016]. Available from Internet: <<http://www.exposure-magz.com/2010/09/28/new-electronic-viewfinder-for-hdslr-cameras>>.*
“Alphatron EVF-035W EVF 9 Minute Review”, posted at cinescopophilia.com, Jun. 7, 2012, [site visited Aug. 23, 2016]. Available from Internet: <<http://cinescopophilia.com/alphatron-evf-035w-evf-9-minute-review>>.*
“Quick Look—Cineroid EVF4RVW with Retina Display”, posted at youtube.com, Feb. 13, 2013, [site visited Mar. 30, 2017]. Available from Internet: <<https://www.youtube.com/watch?v=zu2jJxhxyvl>>.*
“Alexa Mini Multi Viewfinder MVF-1”, posted at arri.com, Apr. 7, 2014, [site visited Mar. 30, 2017]. Available from Internet: <http://www.arri.com/camera/alexa_mini/technology/camera_hardware/alexa_mini_viewfinder>.*
Bui, Lan, “DSLR EVF | Z-Finder EVF | Electronic Viewfinder”, posted at thebui brothers.com, Sep. 20, 2010, [site visited Mar. 30, 2017]. Available from Internet: <<http://thebui brothers.com/blog/2010/09/dslr-evf-z-finder-evf-electronic-viewfinder>>.*

* cited by examiner

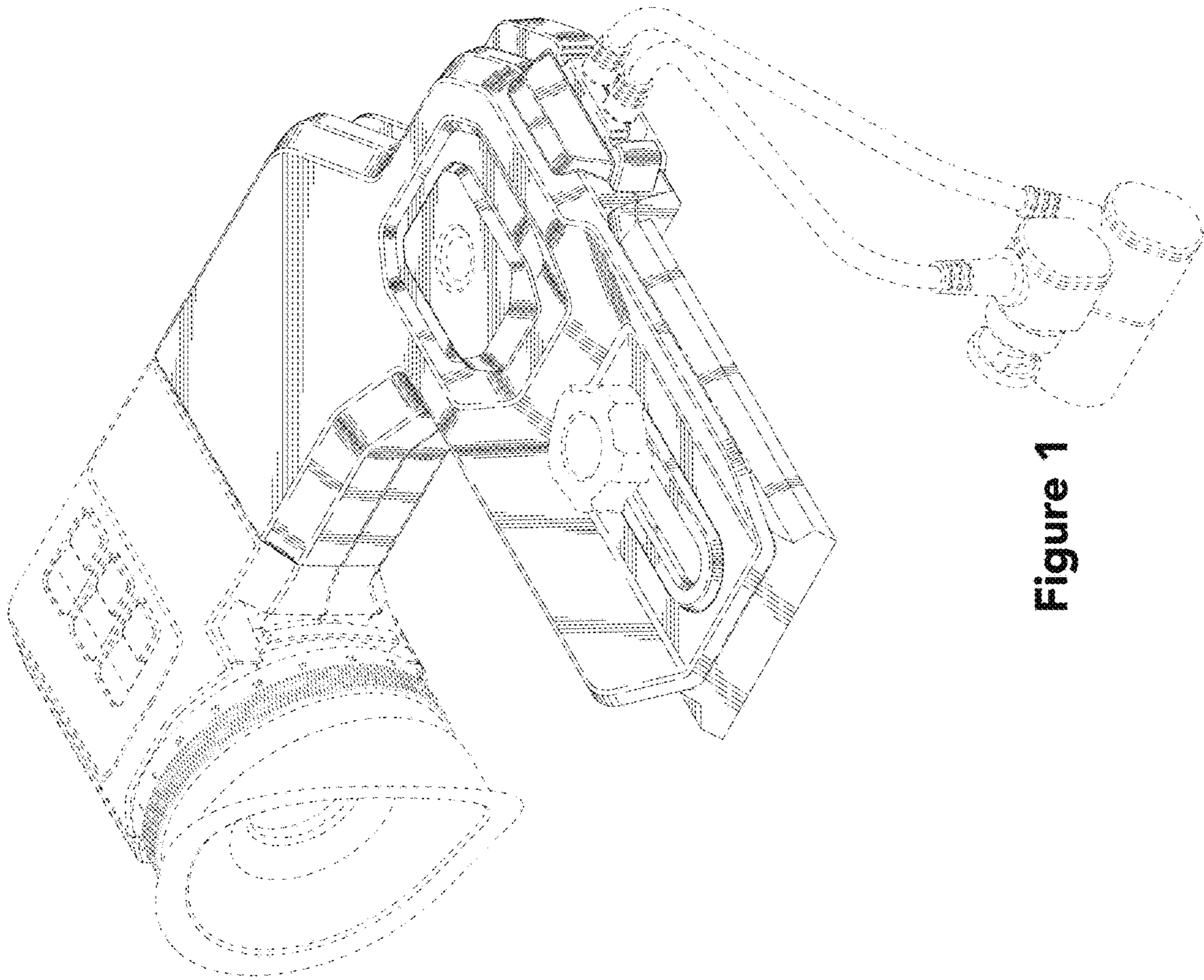


Figure 1

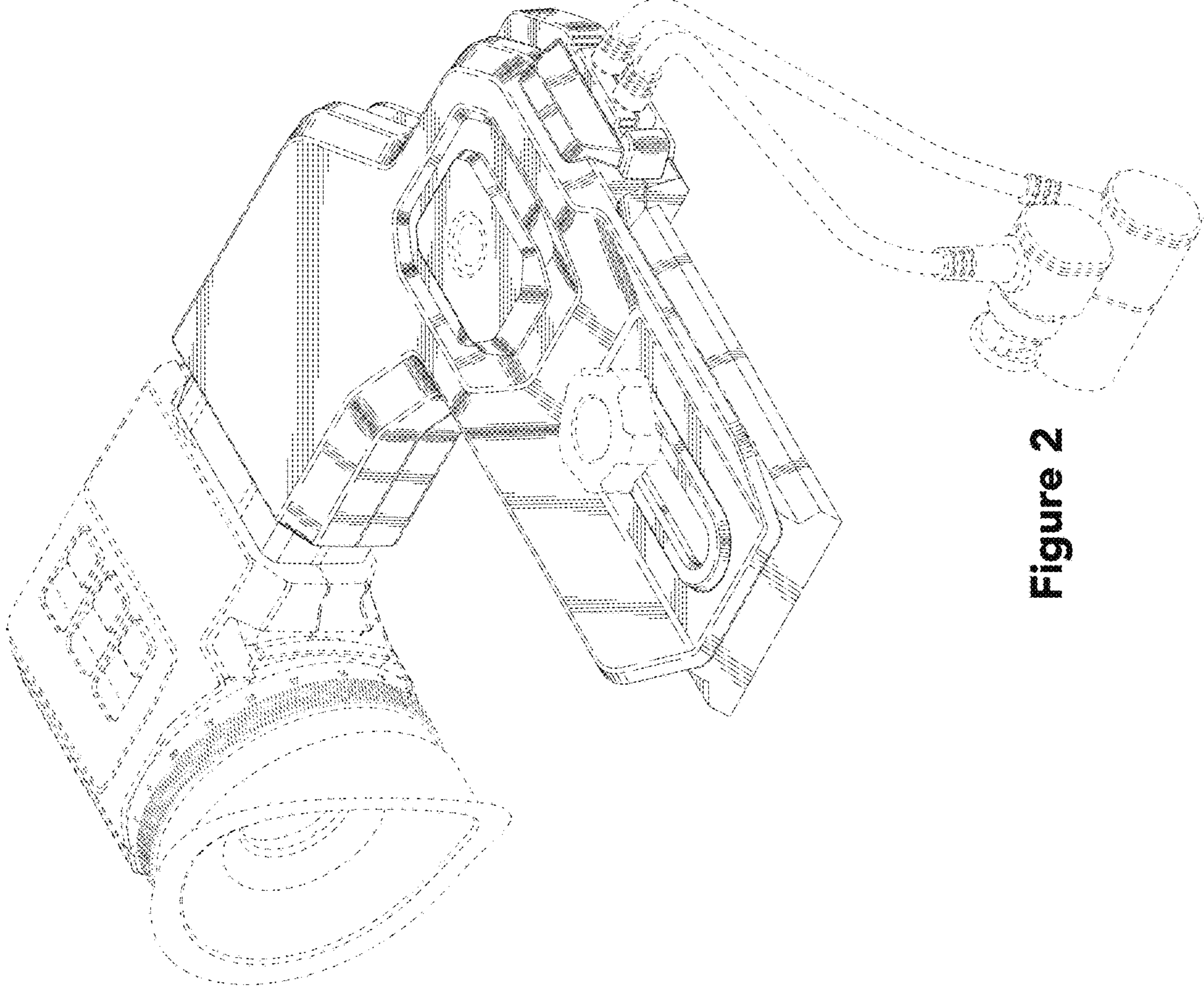


Figure 2

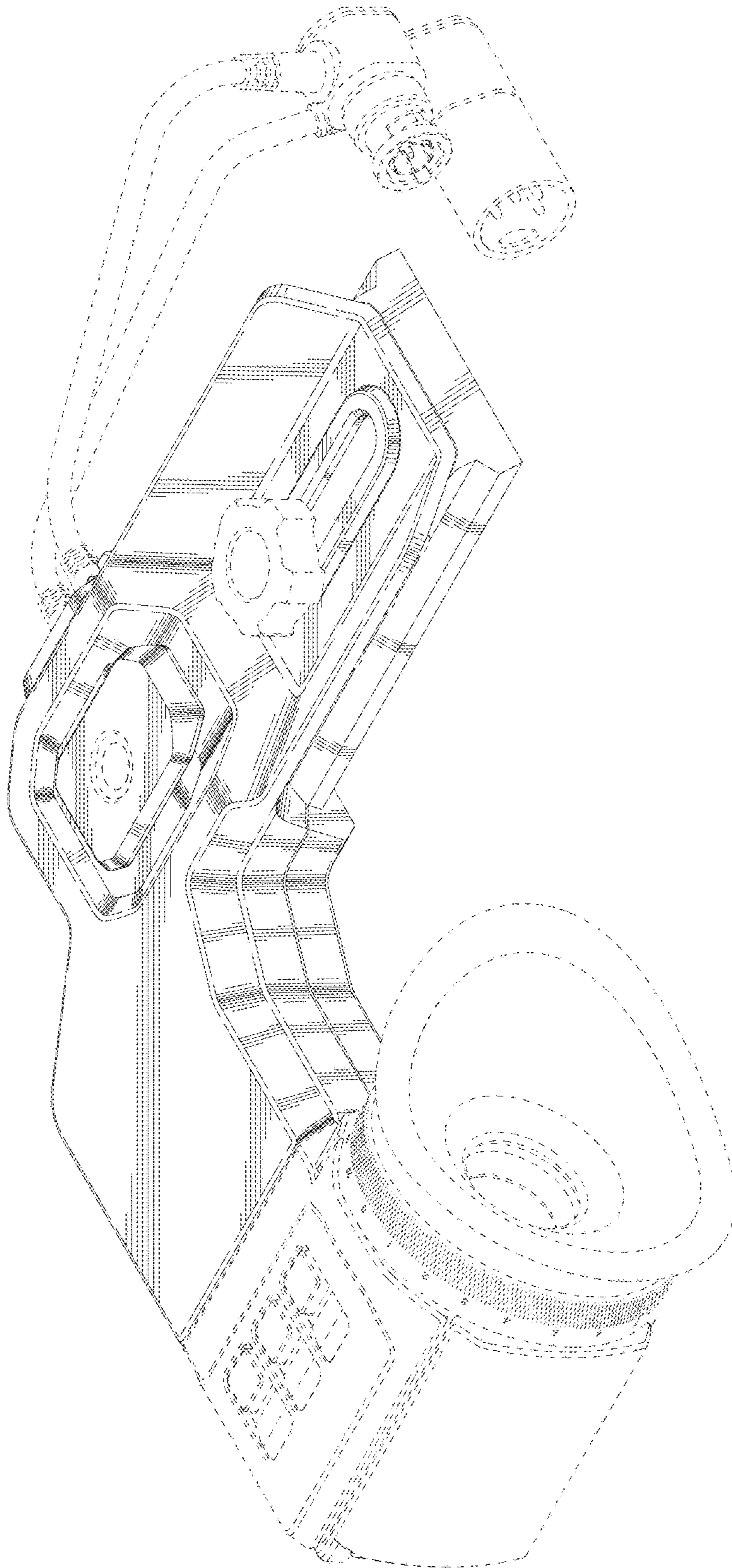


Figure 3

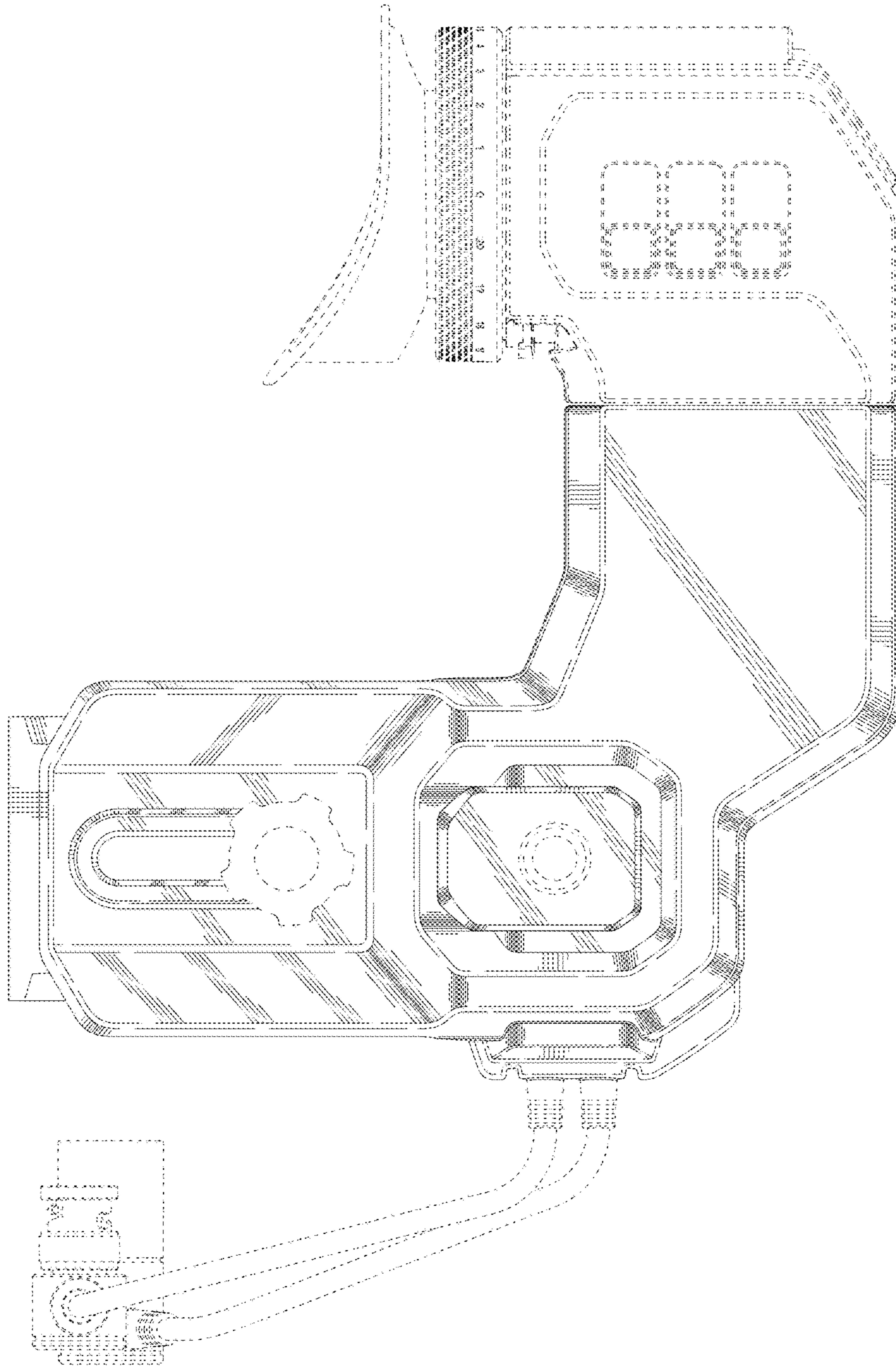


Figure 4

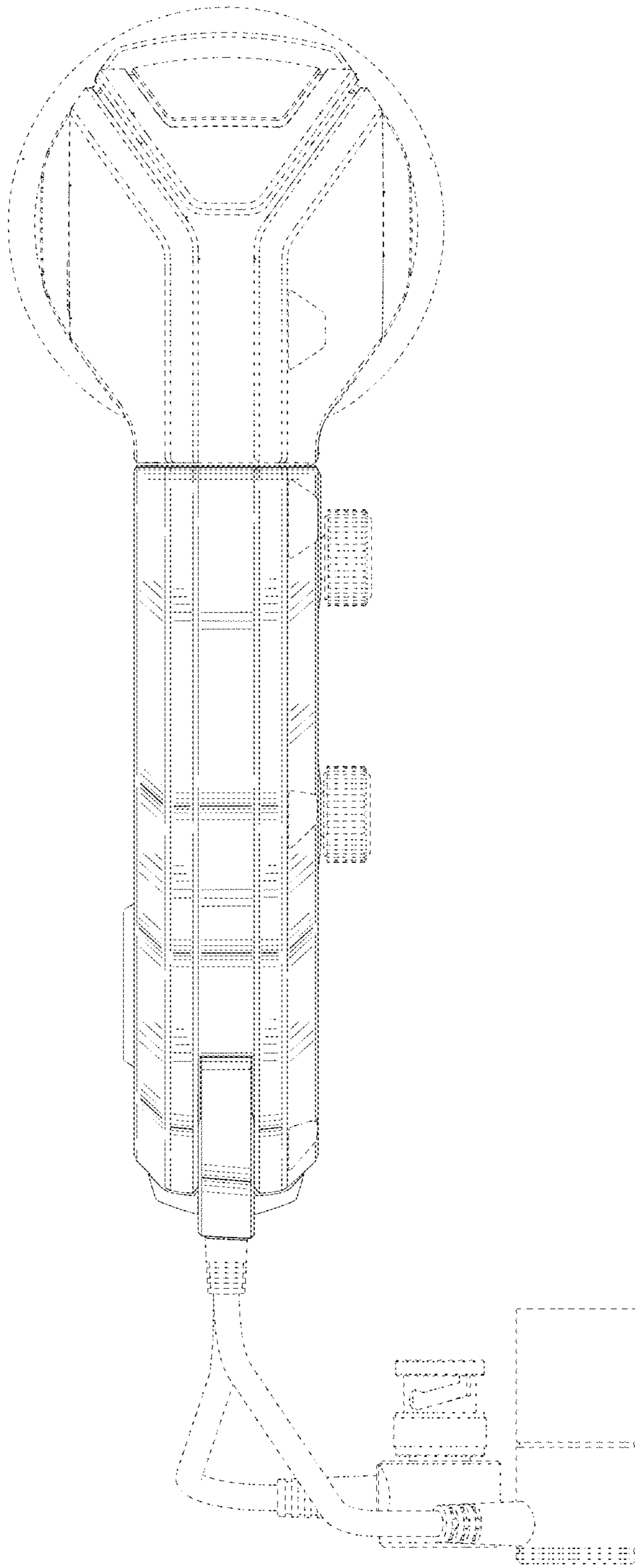


Figure 5

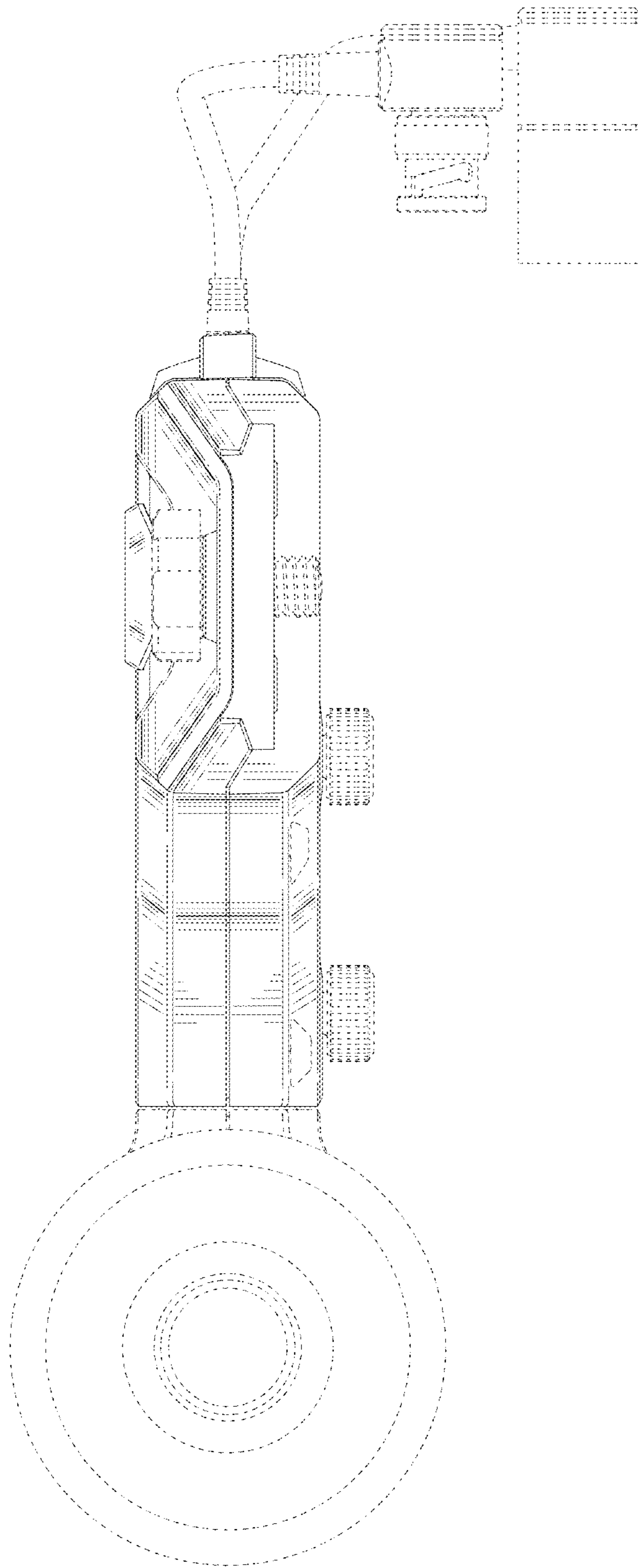


Figure 6

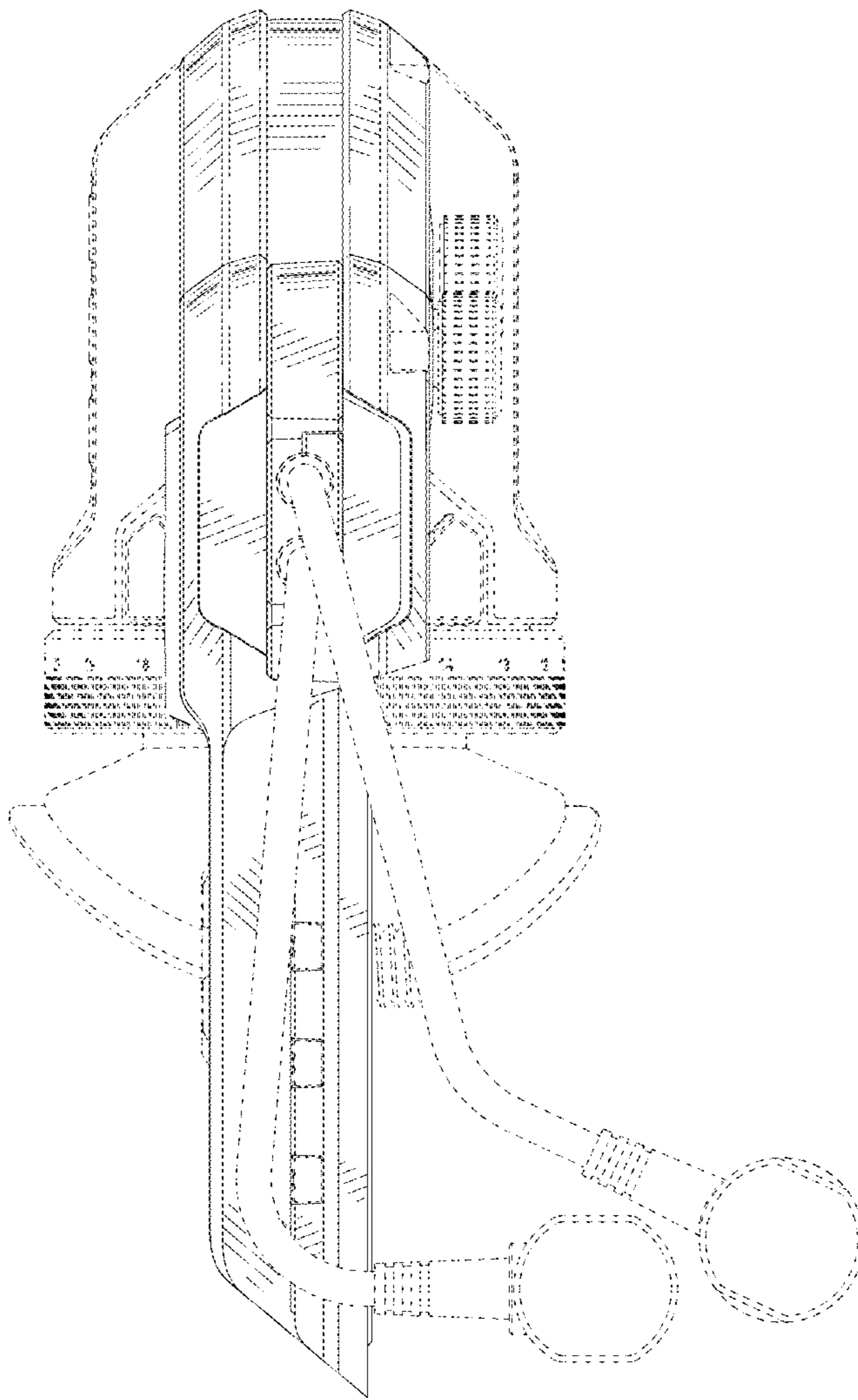


Figure 7

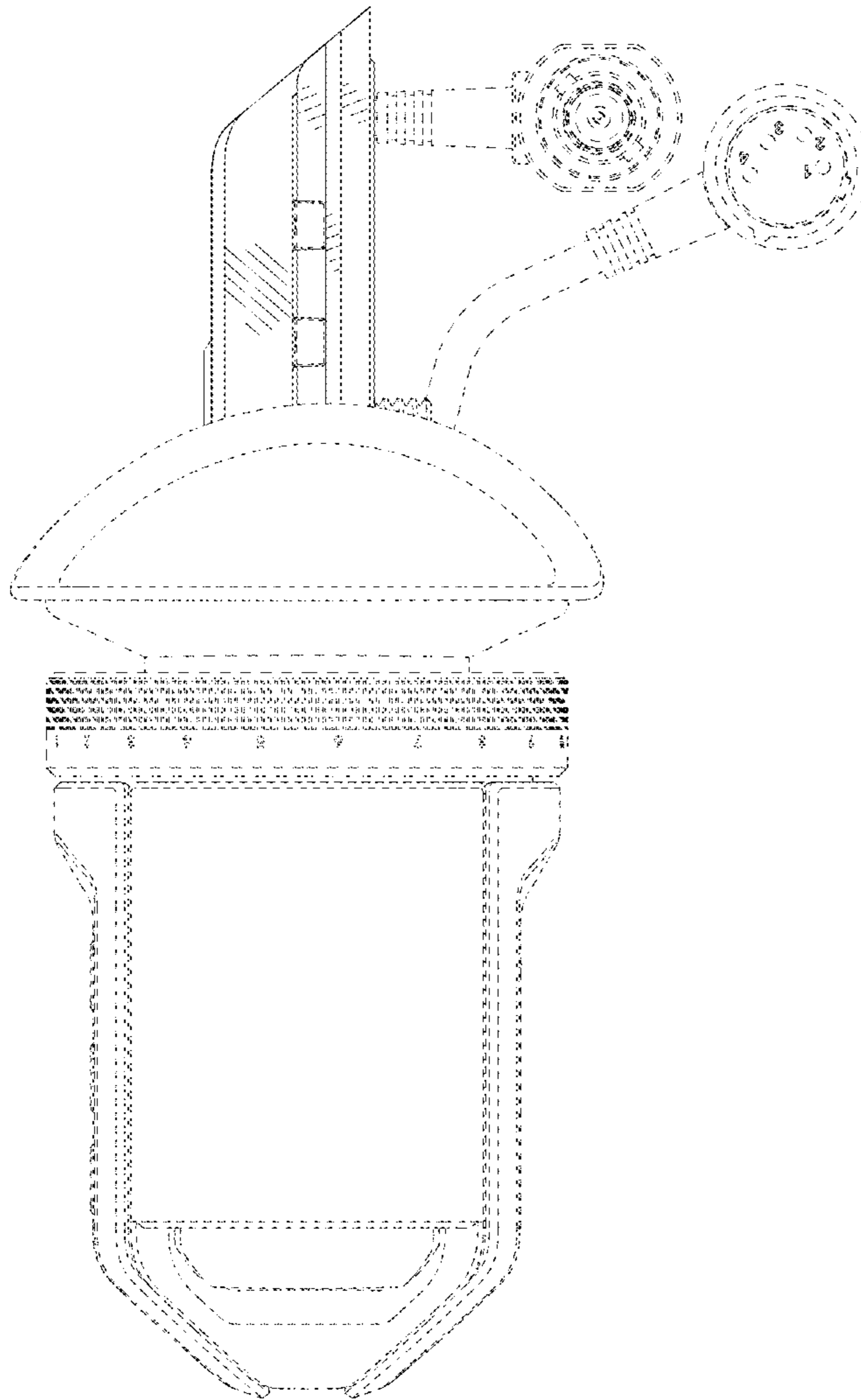


Figure 8

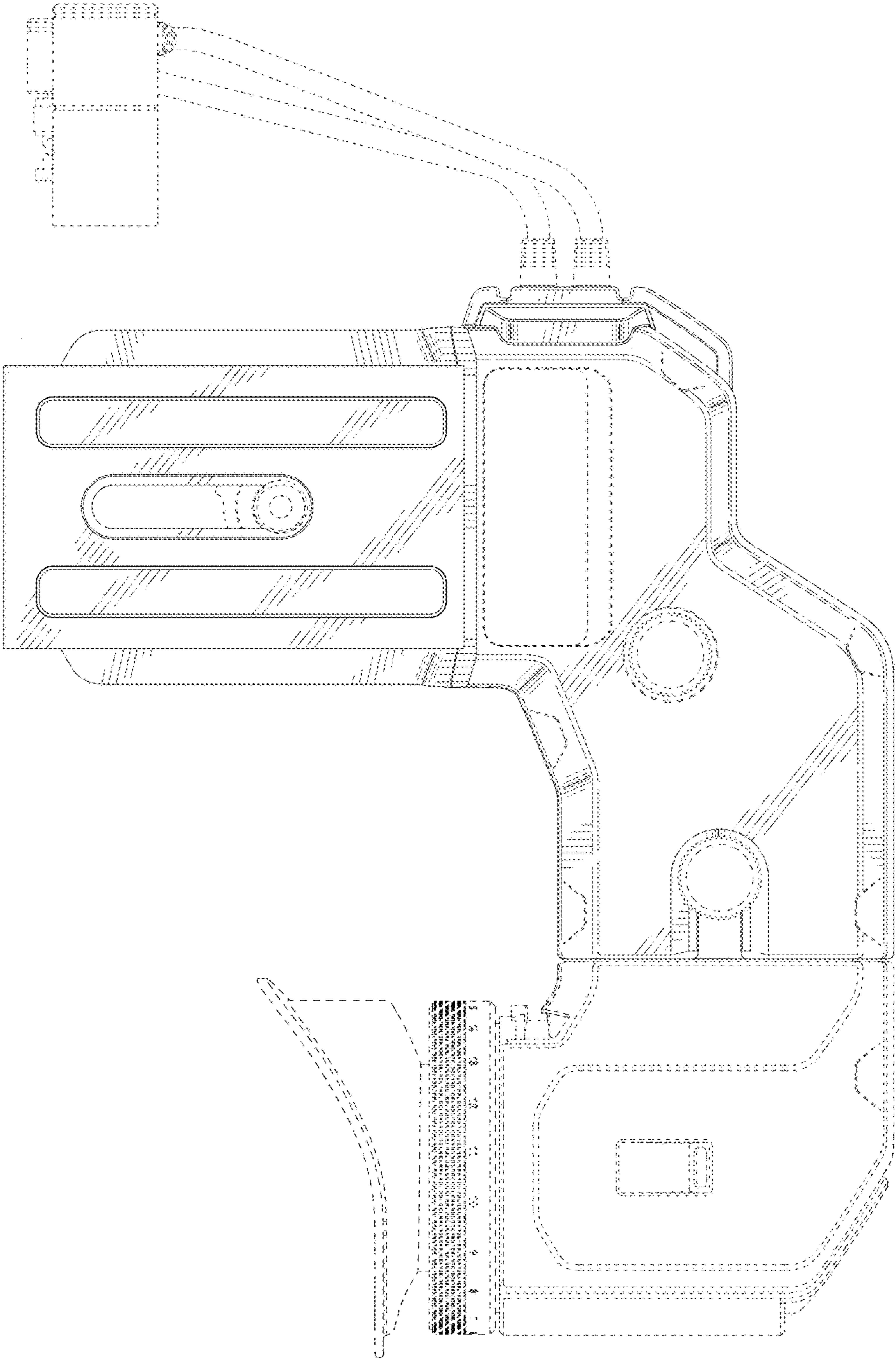


Figure 9

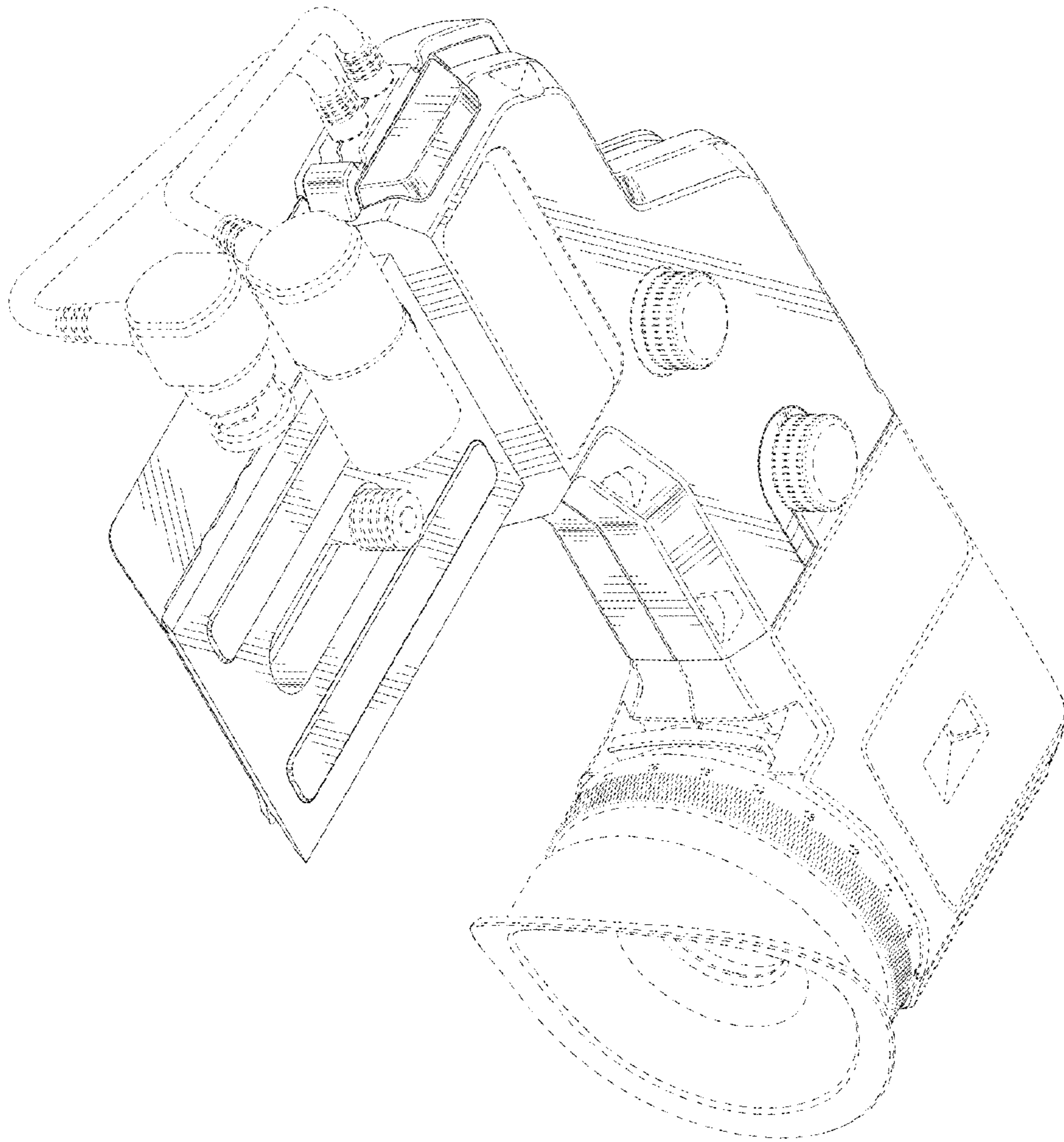


Figure 10

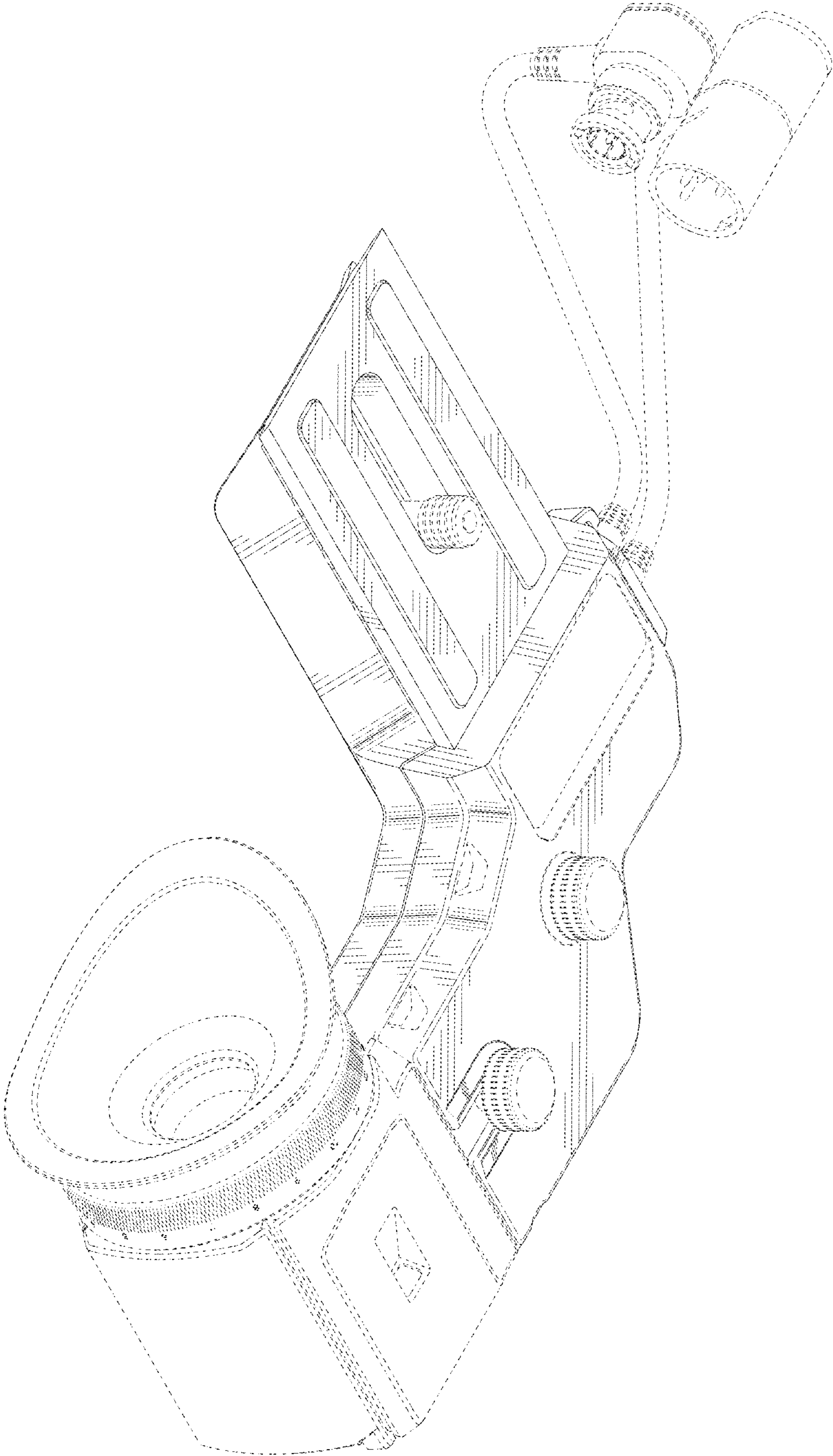


Figure 11