



US00D797175S

(12) **United States Design Patent** (10) **Patent No.:** **US D797,175 S**
Paulsel (45) **Date of Patent:** **** Sep. 12, 2017**

(54) **OPTIC HOLDER**
(71) Applicant: **Jason Quentin Paulsel**, Peachtree City, GA (US)
(72) Inventor: **Jason Quentin Paulsel**, Peachtree City, GA (US)
(73) Assignee: **Cooper Technologies Company**, Houston, TX (US)

D537,462 S * 2/2007 Tokiwa D16/134
D546,364 S * 7/2007 Ito D16/134
D546,863 S * 7/2007 Ito D16/134
7,289,282 B2 * 10/2007 Matsushima G02B 7/025
359/811
D633,617 S * 3/2011 Bricker D24/150
D649,993 S * 12/2011 Ding D16/134
D692,472 S * 10/2013 Samuels D16/136
D720,792 S * 1/2015 So D16/219

(**) Term: **15 Years**

* cited by examiner

(21) Appl. No.: **29/562,209**

Primary Examiner — Sheryl Lane

(22) Filed: **Apr. 22, 2016**

Assistant Examiner — Calvin E Vansant

(51) **LOC (10) Cl.** **16-99**

(74) *Attorney, Agent, or Firm* — King & Spalding LLP

(52) **U.S. Cl.**
USPC **D16/130**

(57) **CLAIM**

(58) **Field of Classification Search**
USPC D16/130, 134, 136, 219, 235, 237;
D14/433

The ornamental design for an optic holder, as shown and described.

CPC G02B 23/16; G02B 21/362; G02B 21/364;
G02B 25/02; G02B 25/002; G02B 25/04;
G02B 27/025; G02B 7/026

DESCRIPTION

See application file for complete search history.

FIG. 1 is a top perspective view of an optic holder, showing my new design;
FIG. 2 is a bottom perspective view thereof;
FIG. 3 is a top view thereof;
FIG. 4 is a bottom view thereof;
FIG. 5 is a left side view thereof;
FIG. 6 is a right side view thereof;
FIG. 7 is a front view thereof; and,
FIG. 8 is a rear view thereof.

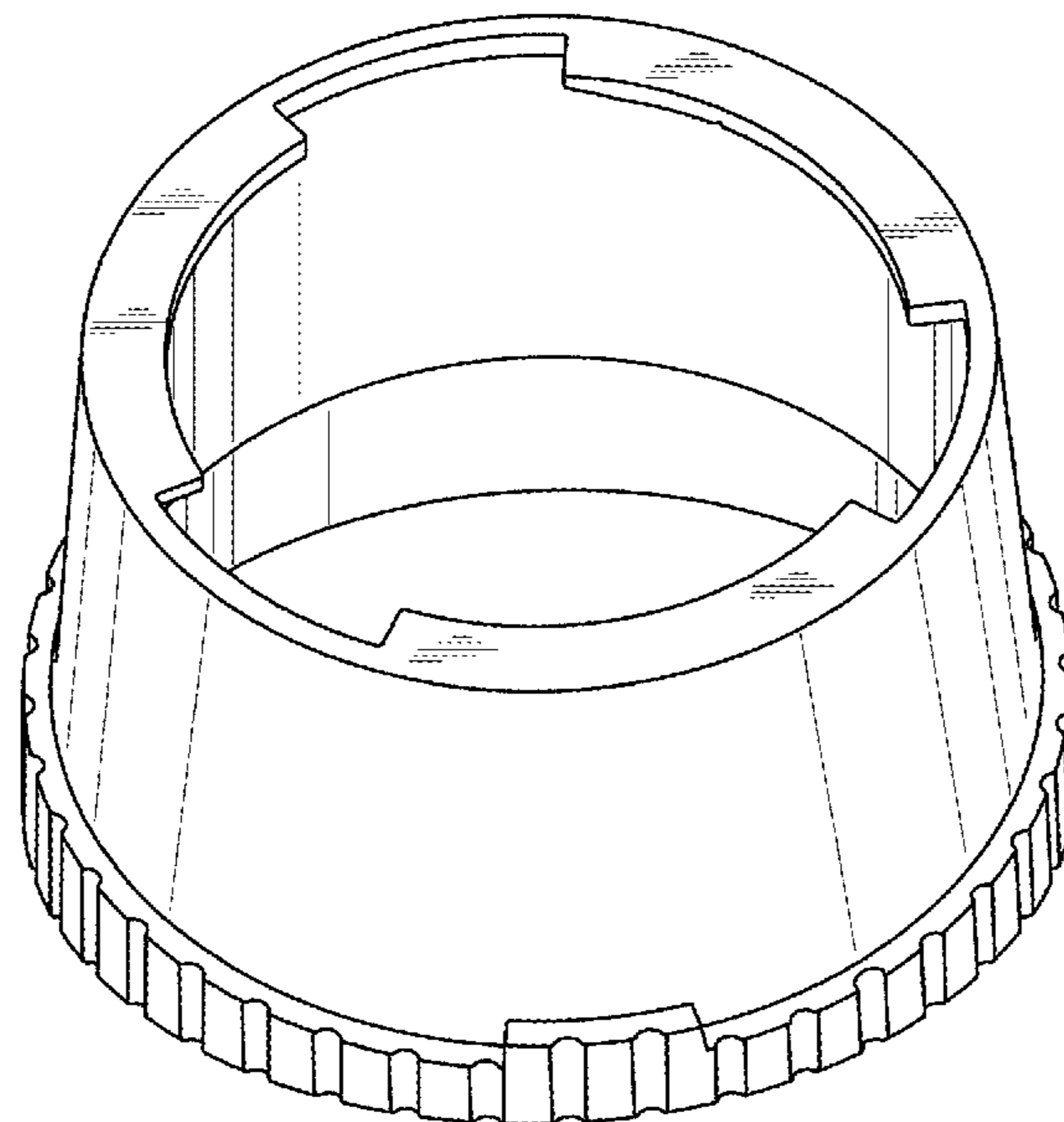
(56) **References Cited**

The portions of the optic holder shown in broken lines form no part of the claimed design.

U.S. PATENT DOCUMENTS

817,902 A * 4/1906 Bunker G02B 25/02
2/440
D286,092 S * 10/1986 Weimar D16/100
5,225,932 A * 7/1993 Wannagot G02B 23/18
2/426
7,104,658 B2 * 9/2006 Fischbach G03B 11/046
359/511

1 Claim, 5 Drawing Sheets



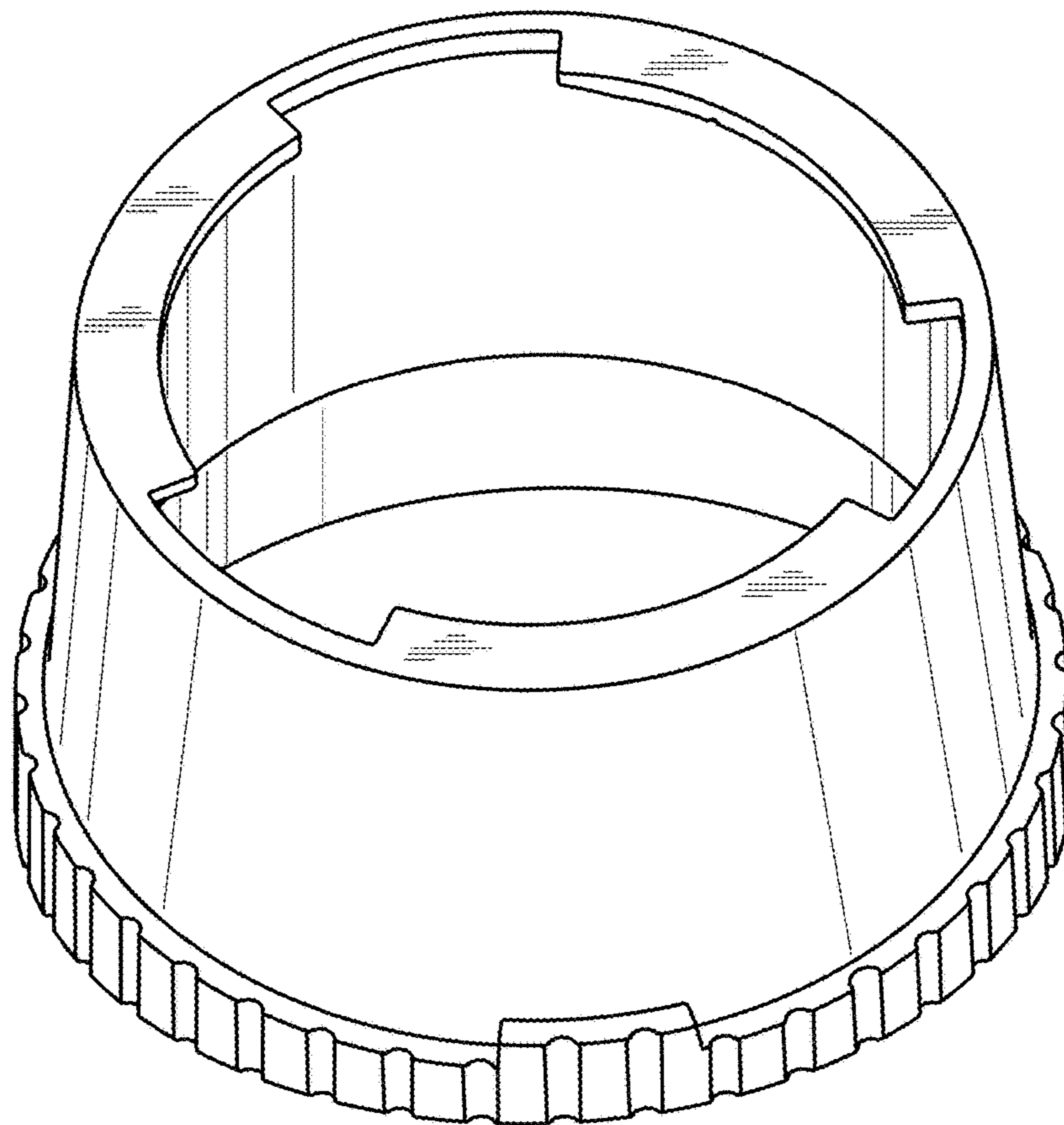


FIG. 1

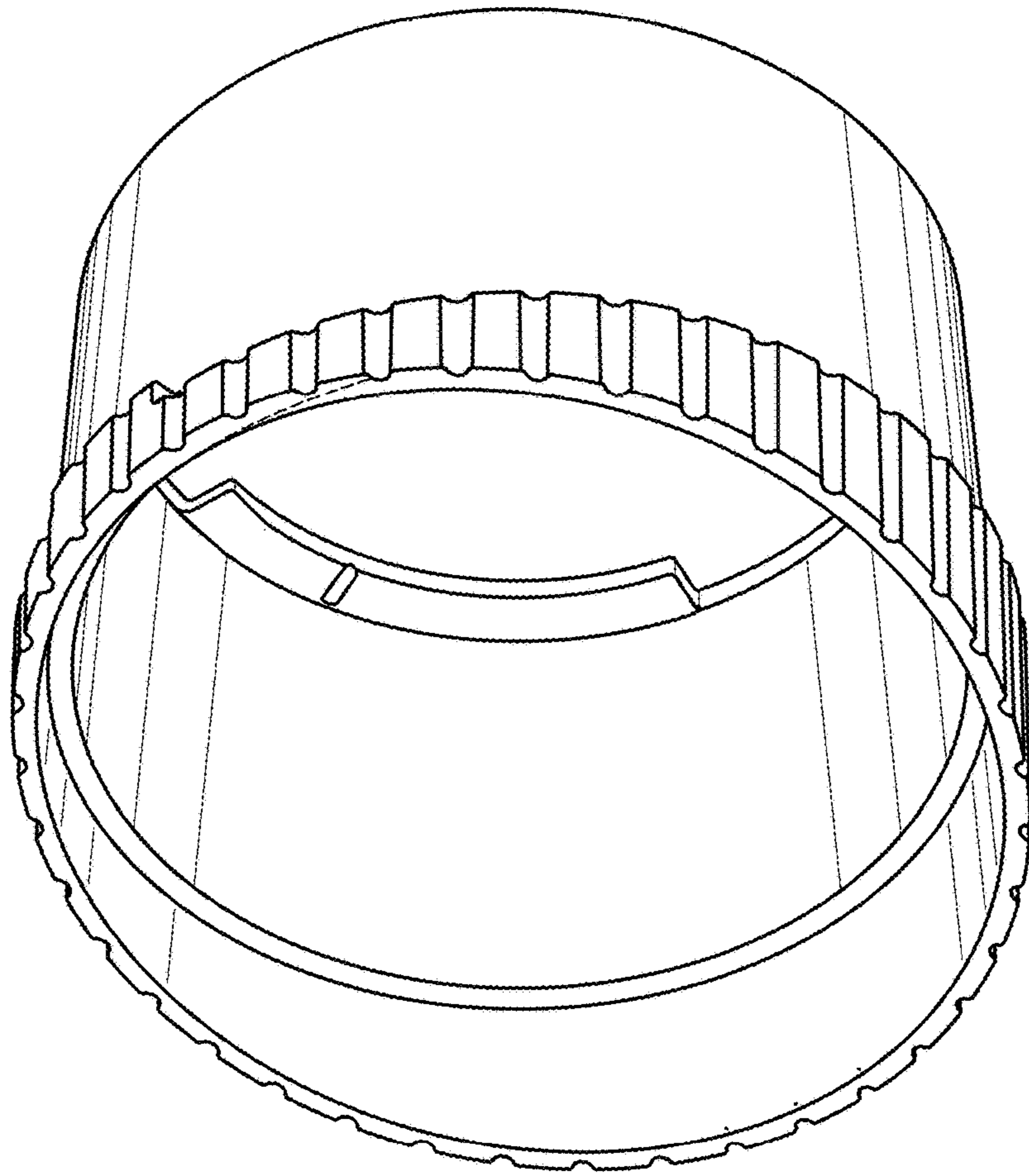


FIG. 2

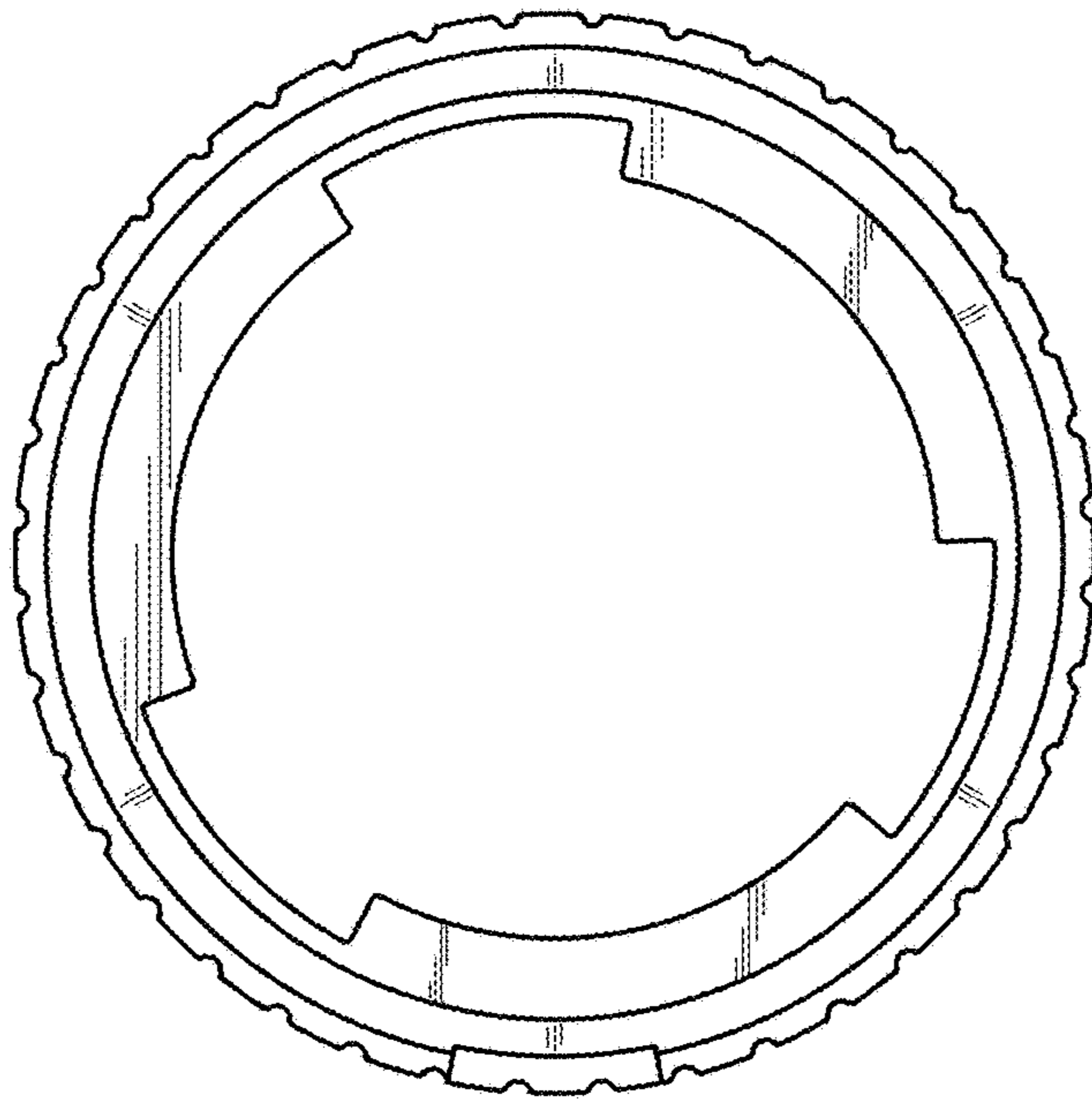


FIG. 3

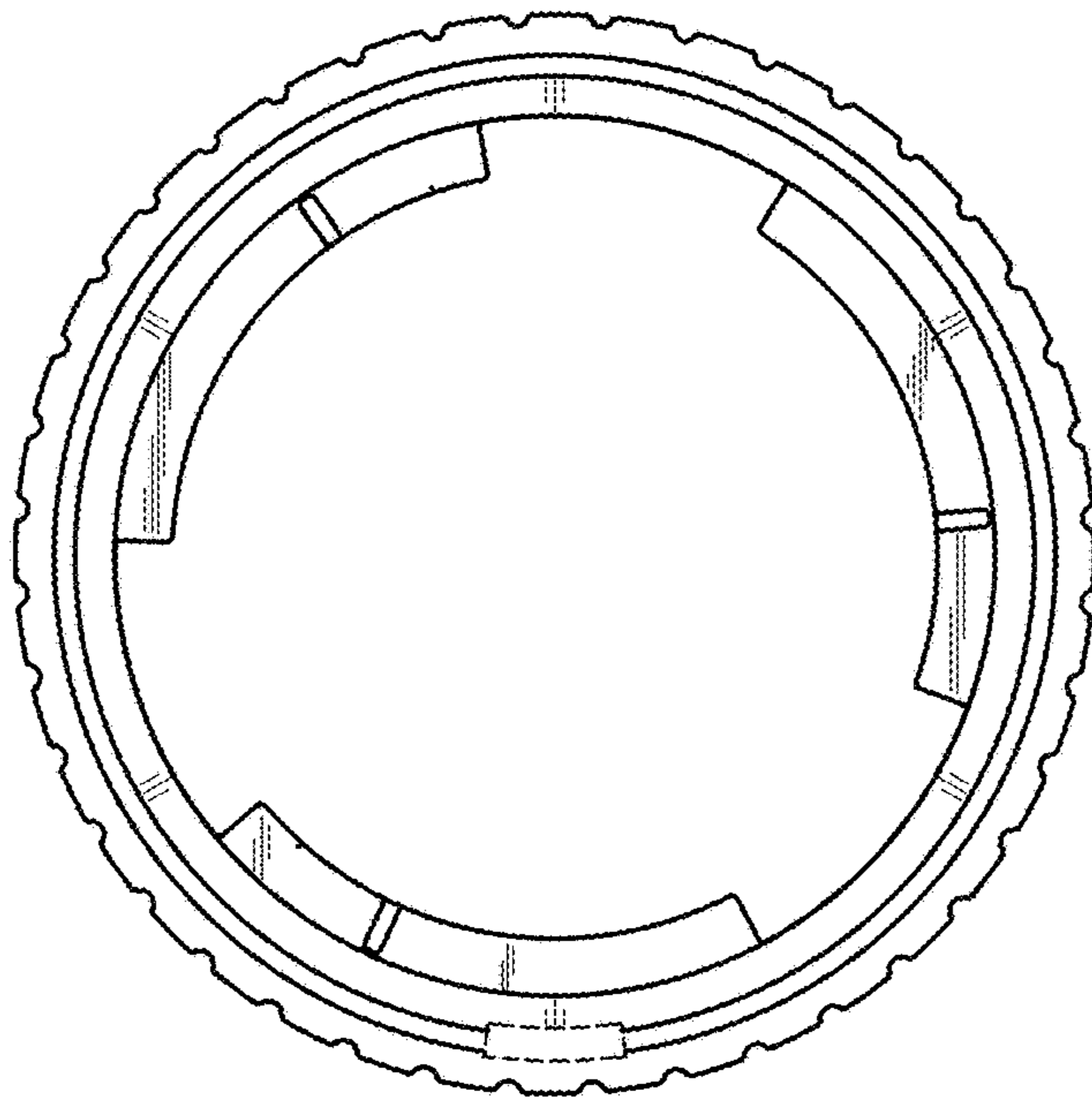


FIG. 4

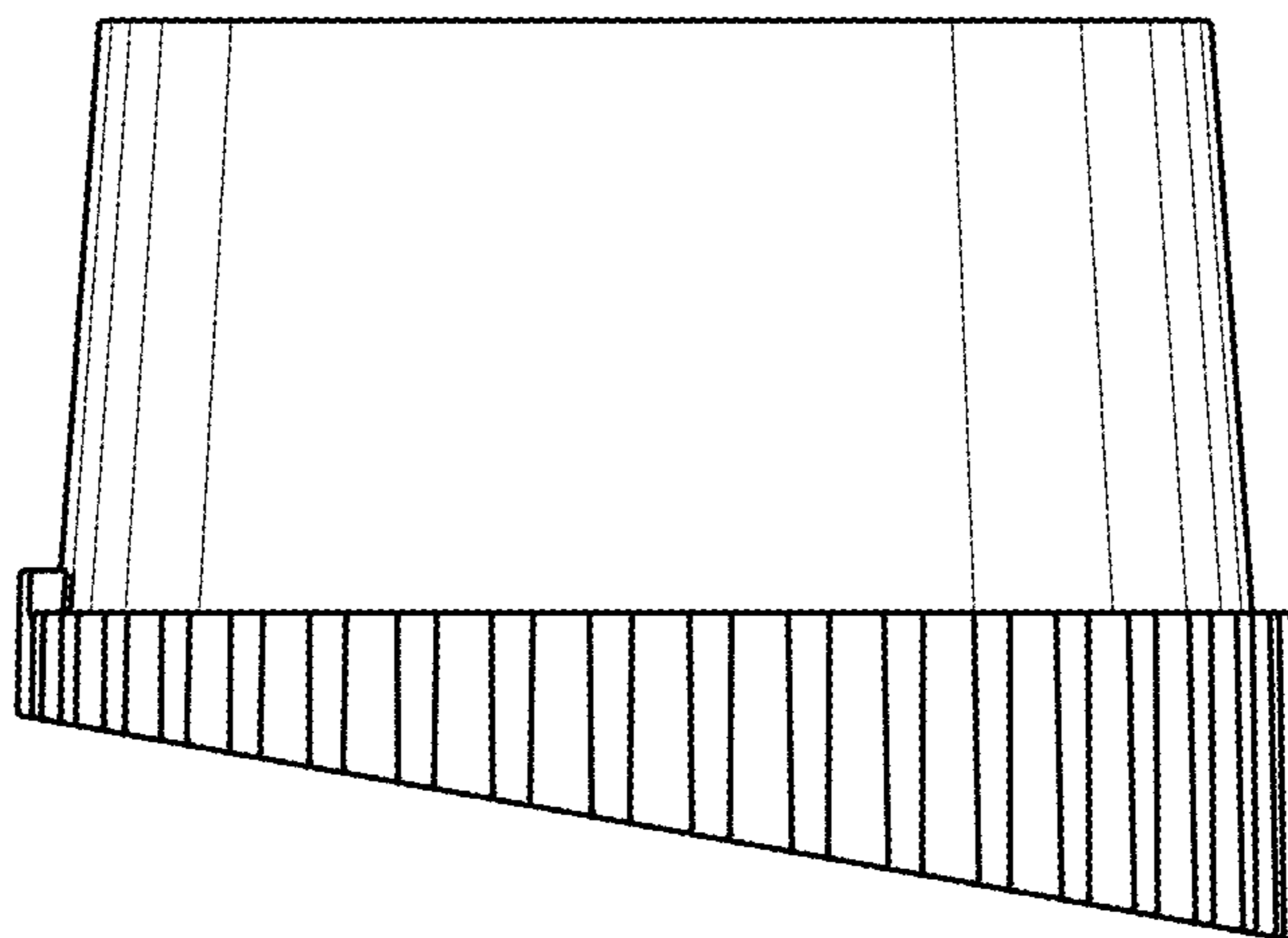


FIG. 5

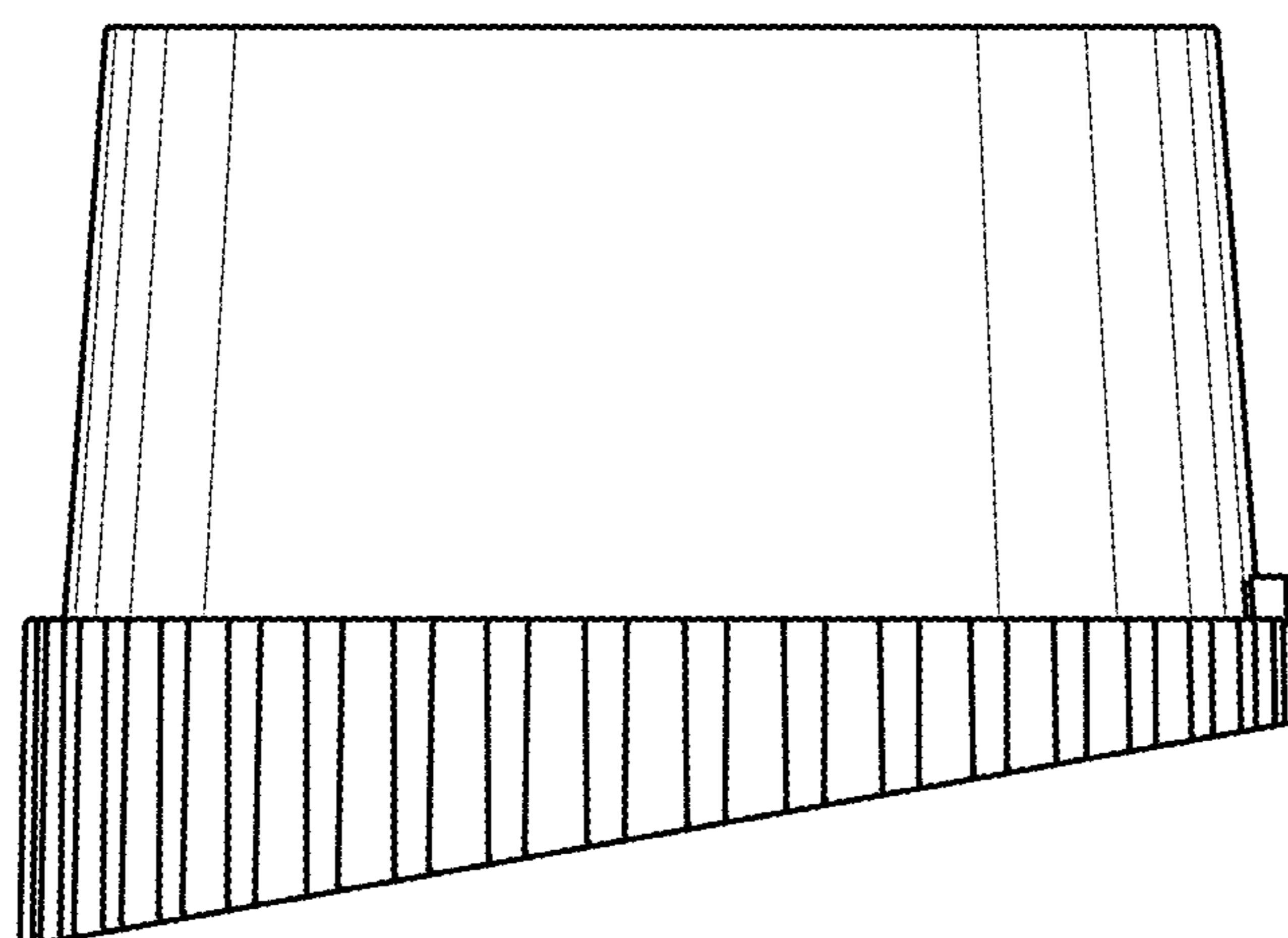


FIG. 6

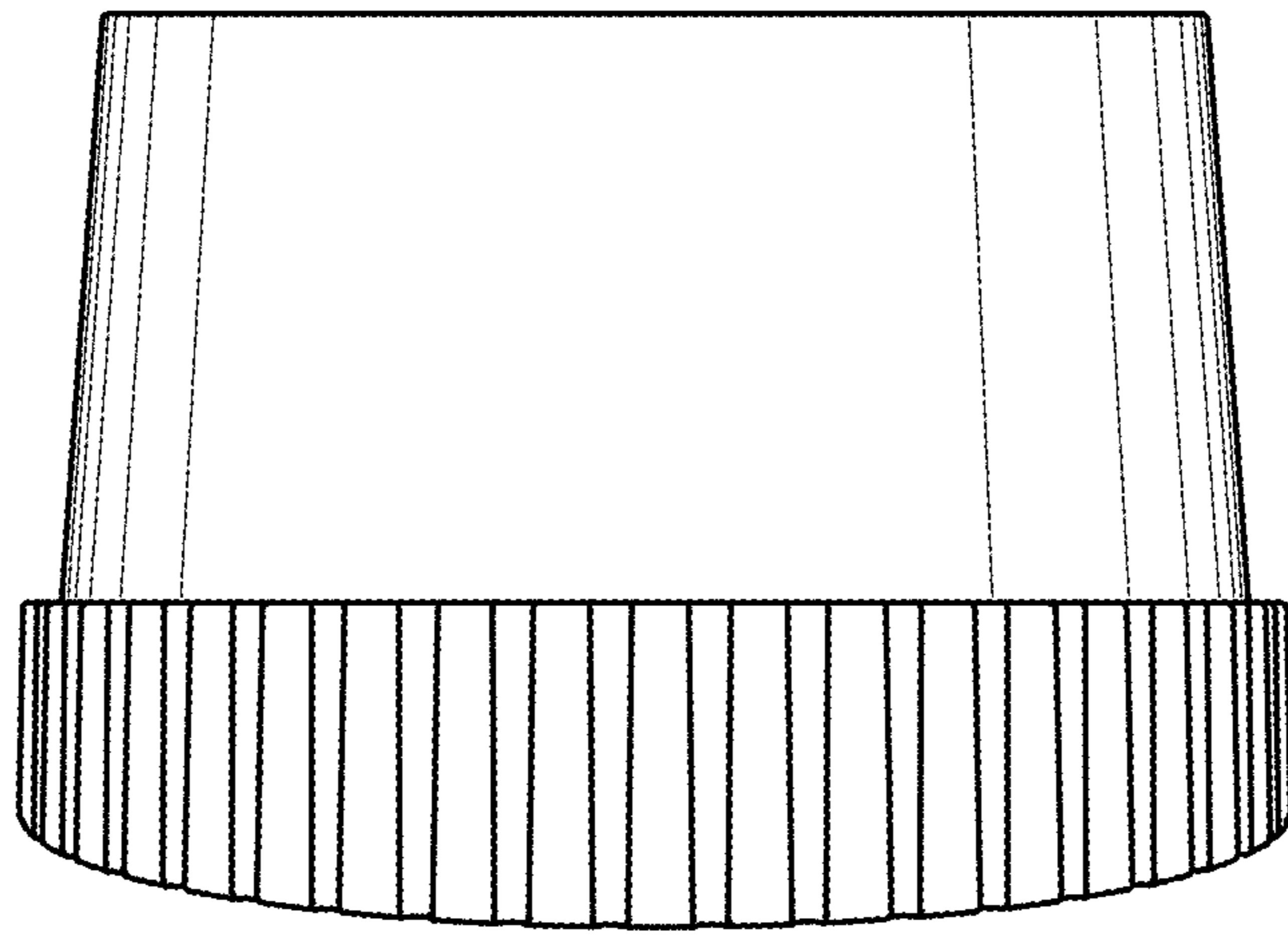


FIG. 7

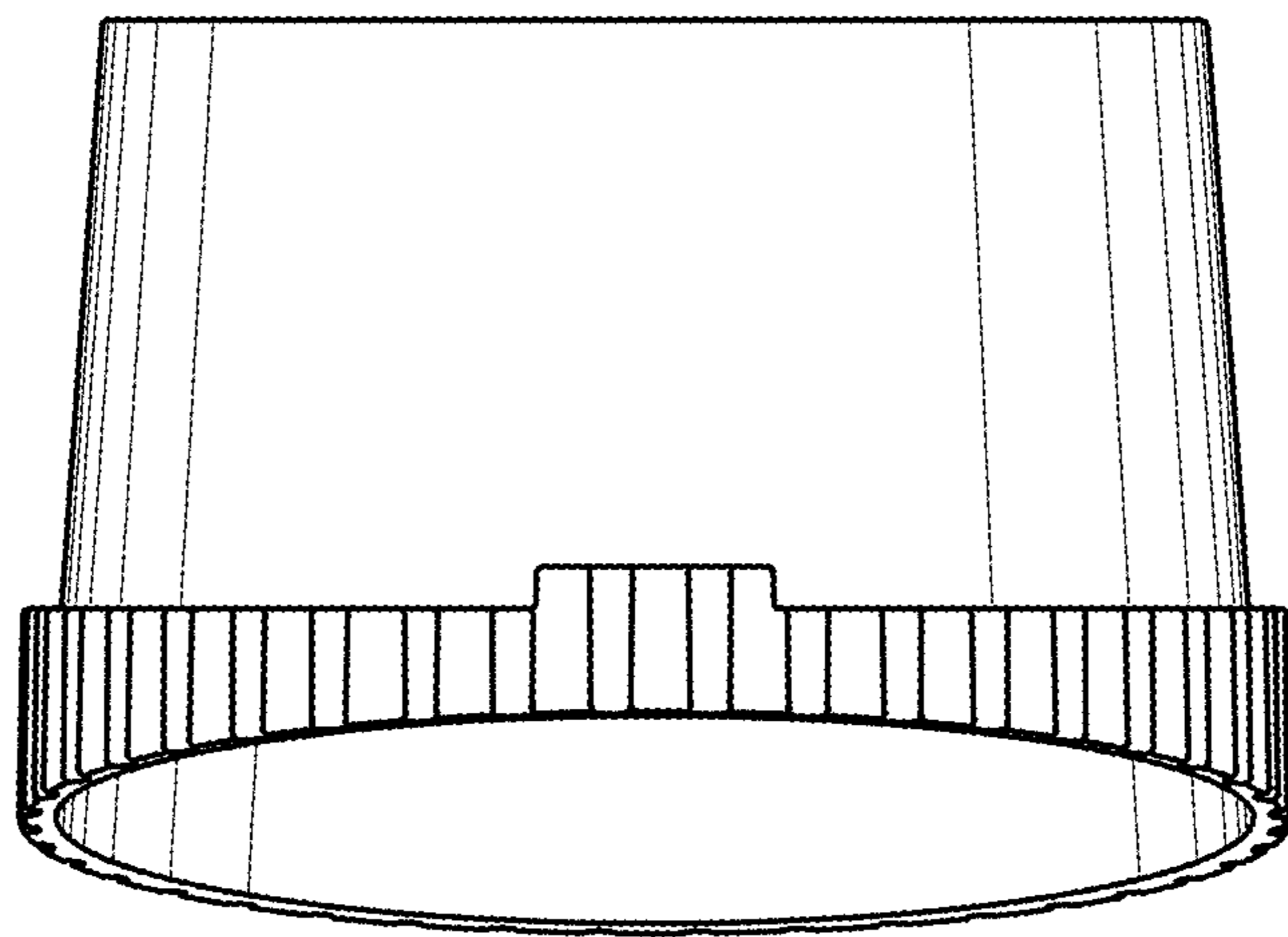


FIG. 8