



US00D797174S

(12) **United States Design Patent**
Freilich

(10) **Patent No.:** **US D797,174 S**
(45) **Date of Patent:** **** Sep. 12, 2017**

(54) **EYEGLOSS TEMPLE BENDING DEVICE**

FOREIGN PATENT DOCUMENTS

(71) Applicant: **Joshua Freilich**, Santa Fe, NM (US)

JP 05210070 A * 8/1993

(72) Inventor: **Joshua Freilich**, Santa Fe, NM (US)

* cited by examiner

(**) Term: **15 Years**

Primary Examiner — Sheryl Lane

Assistant Examiner — Calvin E Vansant

(21) Appl. No.: **29/552,728**

(74) *Attorney, Agent, or Firm* — Franklin & Associates International Inc; Matthew F. Lambrinos

(22) Filed: **Jan. 25, 2016**

(57) **CLAIM**

(51) **LOC (10) Cl.** **16-99**

The ornamental design for an eyeglass temple bending device, as shown and described.

(52) **U.S. Cl.**

USPC **D16/130**

DESCRIPTION

(58) **Field of Classification Search**

USPC D16/130; D8/32, 71, 88, 89, 105

CPC G02C 13/001; G02C 5/20

See application file for complete search history.

FIG. 1 is a top perspective view of an eyeglass temple bending device showing my new design;
FIG. 2 is a front end view of the eyeglass temple bending device of FIG. 1;
FIG. 3 is a right side elevation view of the eyeglass temple bending device of FIG. 1;
FIG. 4 is a left side elevation view of the eyeglass temple bending device of FIG. 1;
FIG. 5 is a rear end view of the eyeglass temple bending device of FIG. 1;
FIG. 6 is a top plan view of the eyeglass temple bending device of FIG. 1; and,
FIG. 7 is a bottom plan view of the eyeglass temple bending device of FIG. 1.

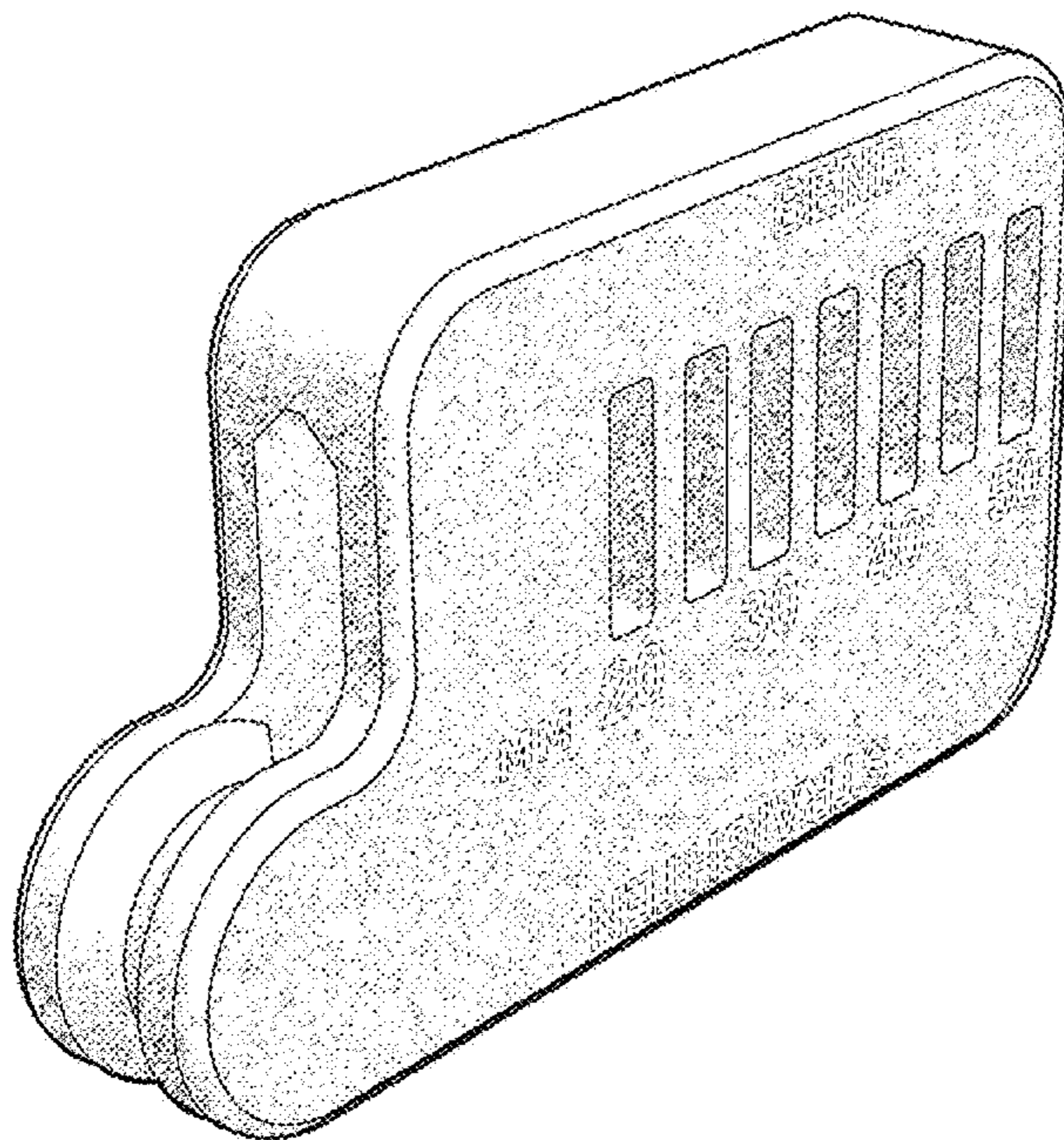
(56) **References Cited**

U.S. PATENT DOCUMENTS

5,522,291	A *	6/1996	Liu	B25G 1/085
					81/177.4
D382,190	S *	8/1997	Blackston	D8/105
5,775,678	A *	7/1998	Ferland	G02C 13/001
					269/131
6,318,858	B1 *	11/2001	Siani	G02C 5/20
					351/111
D455,784	S *	4/2002	FitzGerald	D19/65
D569,214	S *	5/2008	Telfser	D8/105
D610,893	S *	3/2010	Mudrick	D8/105
D714,120	S *	9/2014	Liu	D8/71
D719,006	S *	12/2014	Steiner	D8/105
D723,898	S *	3/2015	Smith	D8/105
D741,681	S *	10/2015	Kirby	B65D 85/00
					D8/105

The broken lines depict environmental subject matter only and form no part of the claim.
The stipple shading and shade lines in the Figures show contour and not surface ornamentation.

1 Claim, 7 Drawing Sheets



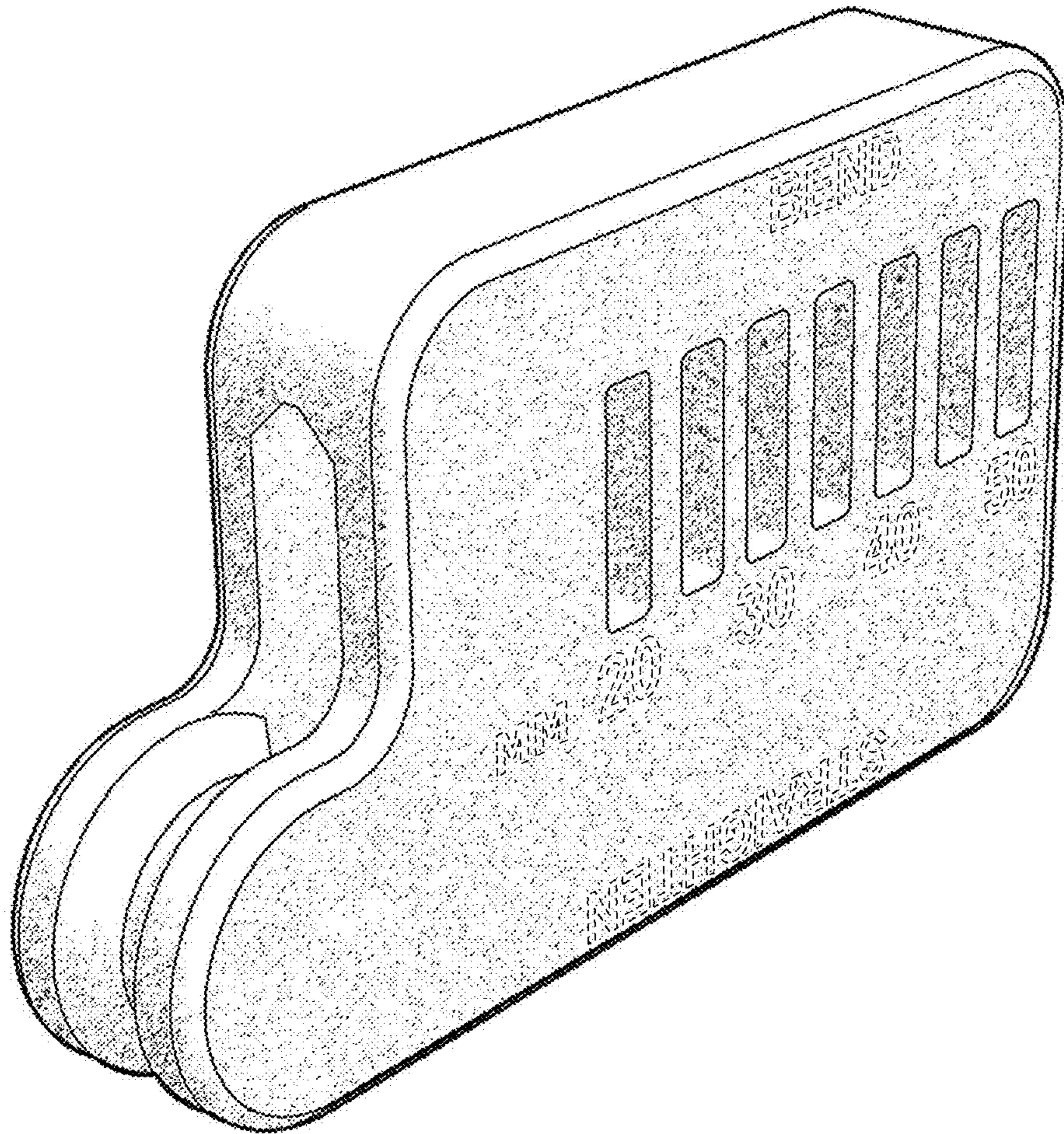


FIG. 1

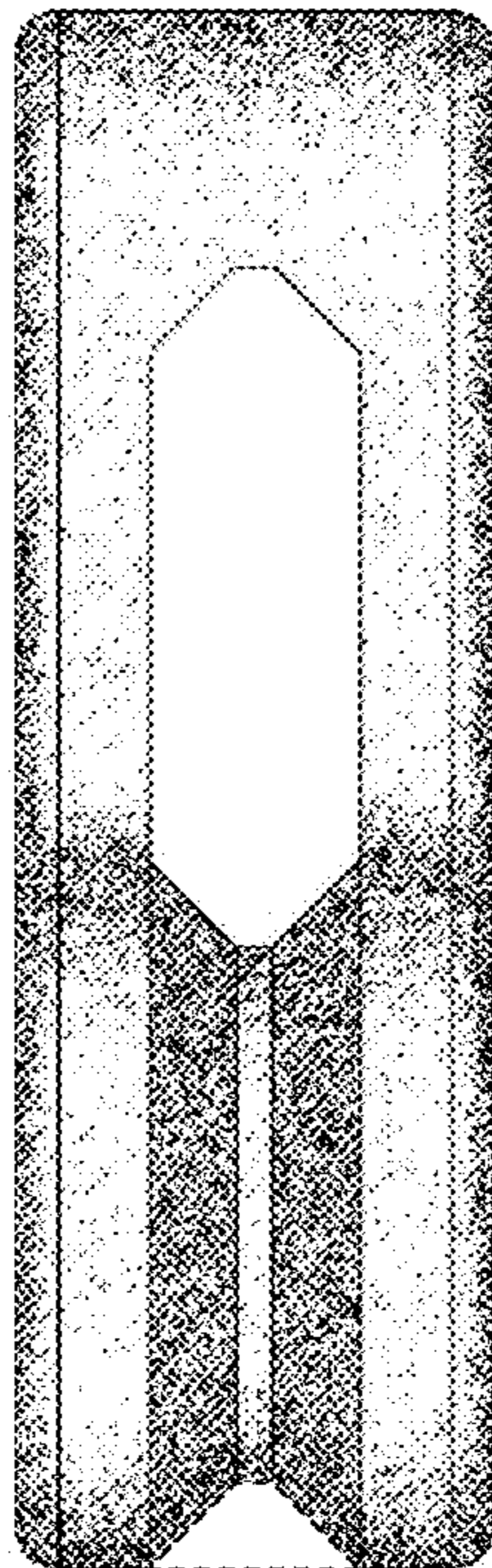


FIG. 2

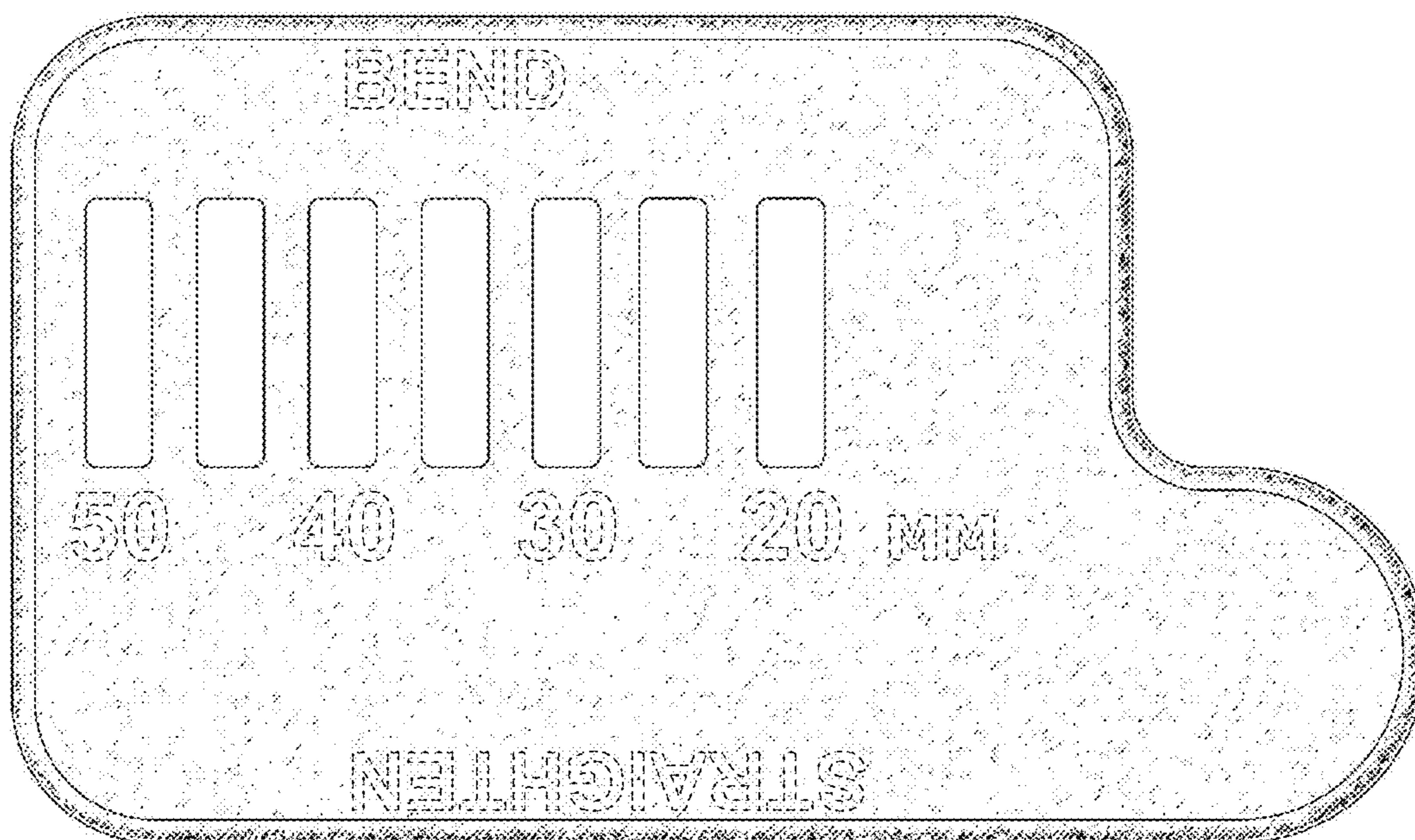


FIG. 3

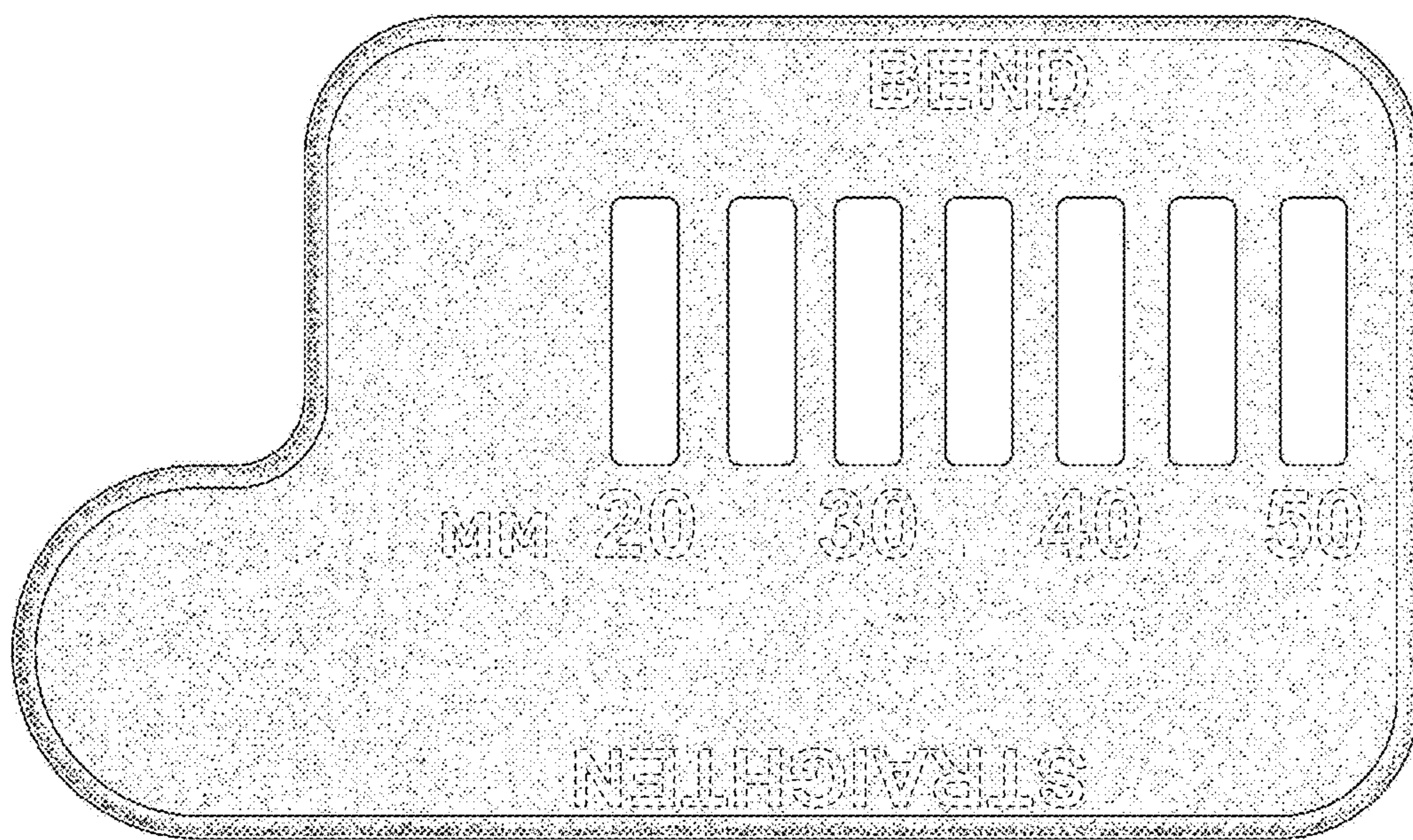


FIG. 4

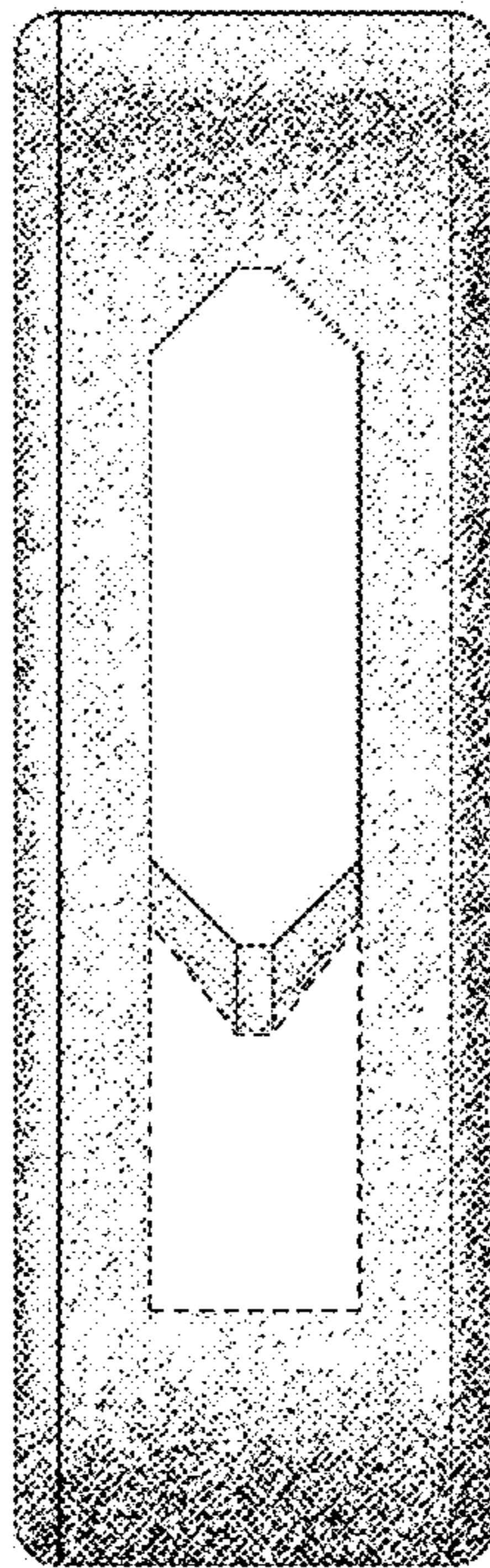


FIG. 5

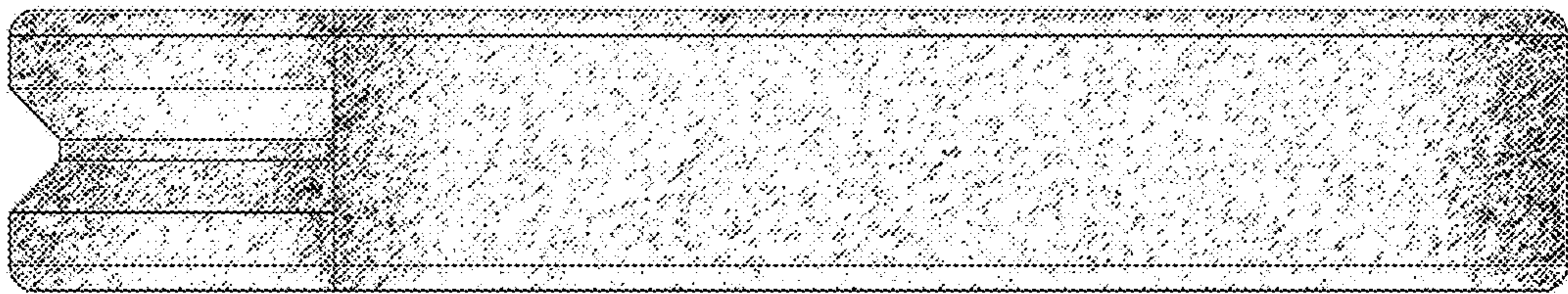


FIG. 6

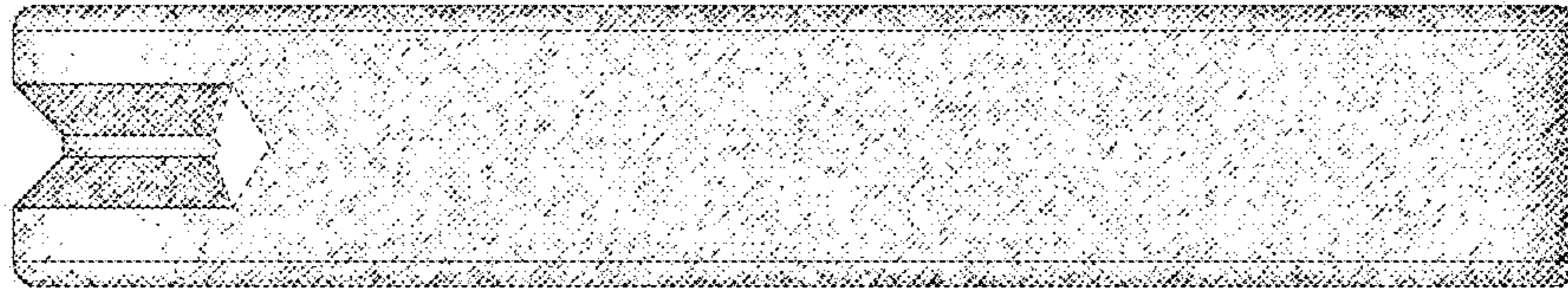


FIG. 7