



US00D797173S

(12) **United States Design Patent** (10) **Patent No.:** **US D797,173 S**
Ebner (45) **Date of Patent:** **** Sep. 12, 2017**

- (54) **GEARING FOR ELECTRIC MOTORS**
- (71) Applicant: **Wittenstein AG**, Igersheim (DE)
- (72) Inventor: **Siegfried Ebner**, Zell am See (AT)
- (73) Assignee: **Wittenstein SE**, Igersheim (DE)
- (**) Term: **15 Years**
- (21) Appl. No.: **29/555,647**
- (22) Filed: **Feb. 24, 2016**
- (30) **Foreign Application Priority Data**
- Aug. 24, 2015 (EM) 002759530
- (51) **LOC (10) Cl.** **15-09**
- (52) **U.S. Cl.**
- USPC **D15/148**
- (58) **Field of Classification Search**
- USPC D12/80; D15/148, 149; 74/640; 92/71;
192/38, 223.2; 475/331
- CPC F16D 41/07; F16D 41/061-41/064; F16D
41/066; F16D 41/067; F16D 41/105;
F16H 1/28; F16H 1/46; F16H 49/001;
F16H 57/029; F16H 57/033; F16H
57/0482; F16H 57/082
- See application file for complete search history.

- (56) **References Cited**
- U.S. PATENT DOCUMENTS
- D479,541 S * 9/2003 Lannoch D15/148
D479,542 S * 9/2003 Lannoch D15/148
D497,374 S * 10/2004 Wittenstein D15/148
D514,607 S * 2/2006 Wittenstein D15/148
D529,527 S * 10/2006 Kinoshita D15/148
D529,939 S * 10/2006 Wilhelm D15/148

D533,204 S *	12/2006	Kinoshita	D15/149
D543,565 S *	5/2007	Kopecki	D15/149
D598,938 S *	8/2009	Mijno	D15/148
D604,347 S *	11/2009	Wittenstein	D15/149
D618,262 S *	6/2010	Siegfried	D15/148
D618,263 S *	6/2010	Siegfried	D15/148
D619,631 S *	7/2010	Otsuka	D15/149
D703,253 S *	4/2014	Lannoch	D15/148
D704,756 S *	5/2014	Voelker	D15/148
8,950,565 B2 *	2/2015	Adams	F16D 41/105 192/12 B
D740,867 S *	10/2015	Barta	D15/148
D770,551 S *	11/2016	Heilemann	D15/148
D771,729 S *	11/2016	Heilemann	D15/148
D777,815 S *	1/2017	Ebner	D15/148
2004/0166986 A1 *	8/2004	Bayer	F16H 1/28 475/331
2006/0096412 A1 *	5/2006	Wittenstein	F16H 1/28 74/606 R

* cited by examiner

Primary Examiner — Patricia Palasik
(74) *Attorney, Agent, or Firm* — Bachman & LaPointe,
PC

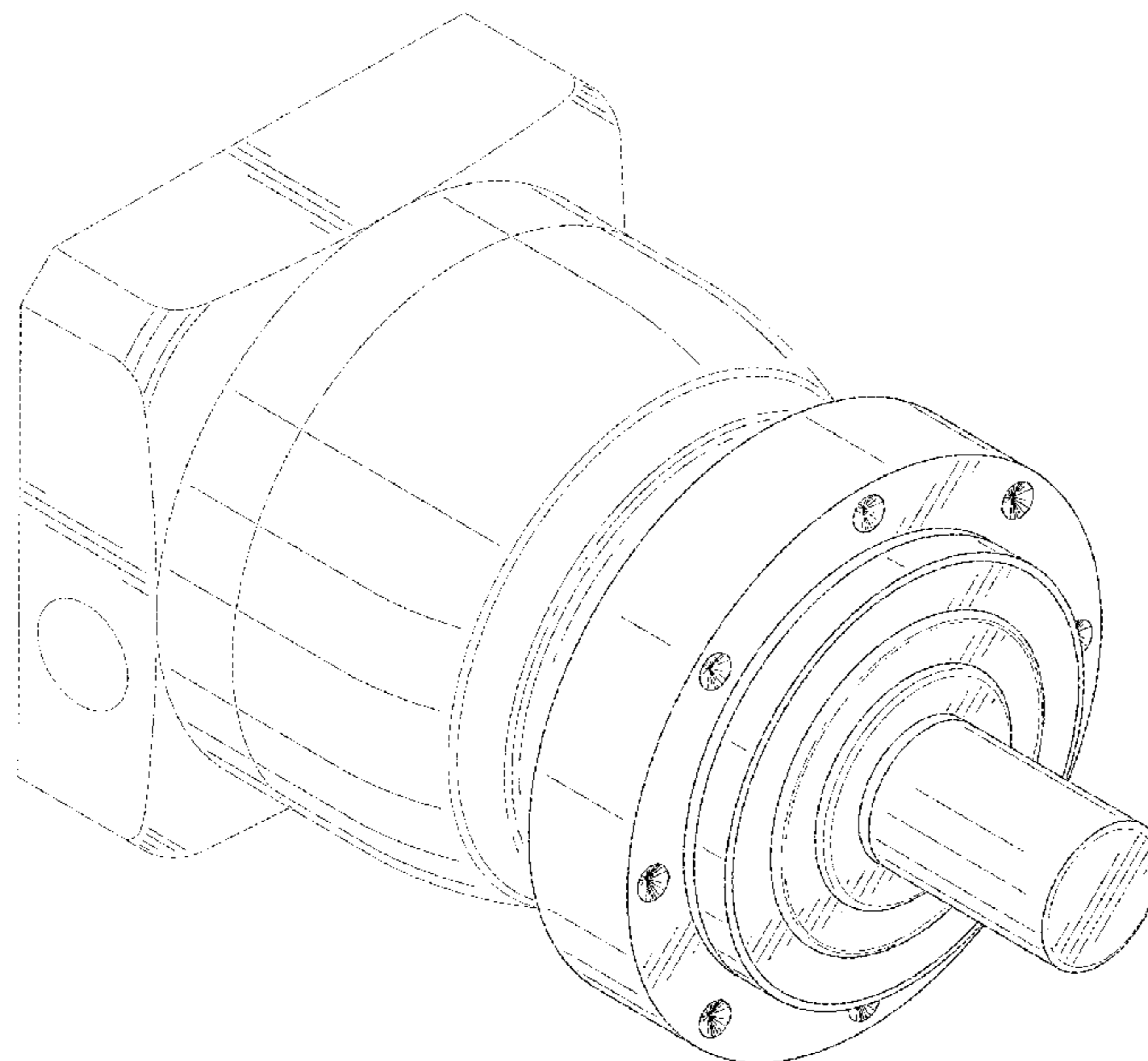
(57) **CLAIM**

The ornamental design for a gearing for electric motors, as shown and described.

DESCRIPTION

FIG. 1 is a perspective view of the ornamental design of a gearing for electric motors according to the invention; FIG. 2 is a side view of the design of FIG. 1; FIG. 3 is a top view of the design of FIG. 1; FIG. 4 is a bottom view of the design of FIG. 1; FIG. 5 is a reverse side view of the design of FIG. 1; FIG. 6 is a front view of the design of FIG. 1; and, FIG. 7 is a rear view of the design of FIG. 1.

1 Claim, 7 Drawing Sheets



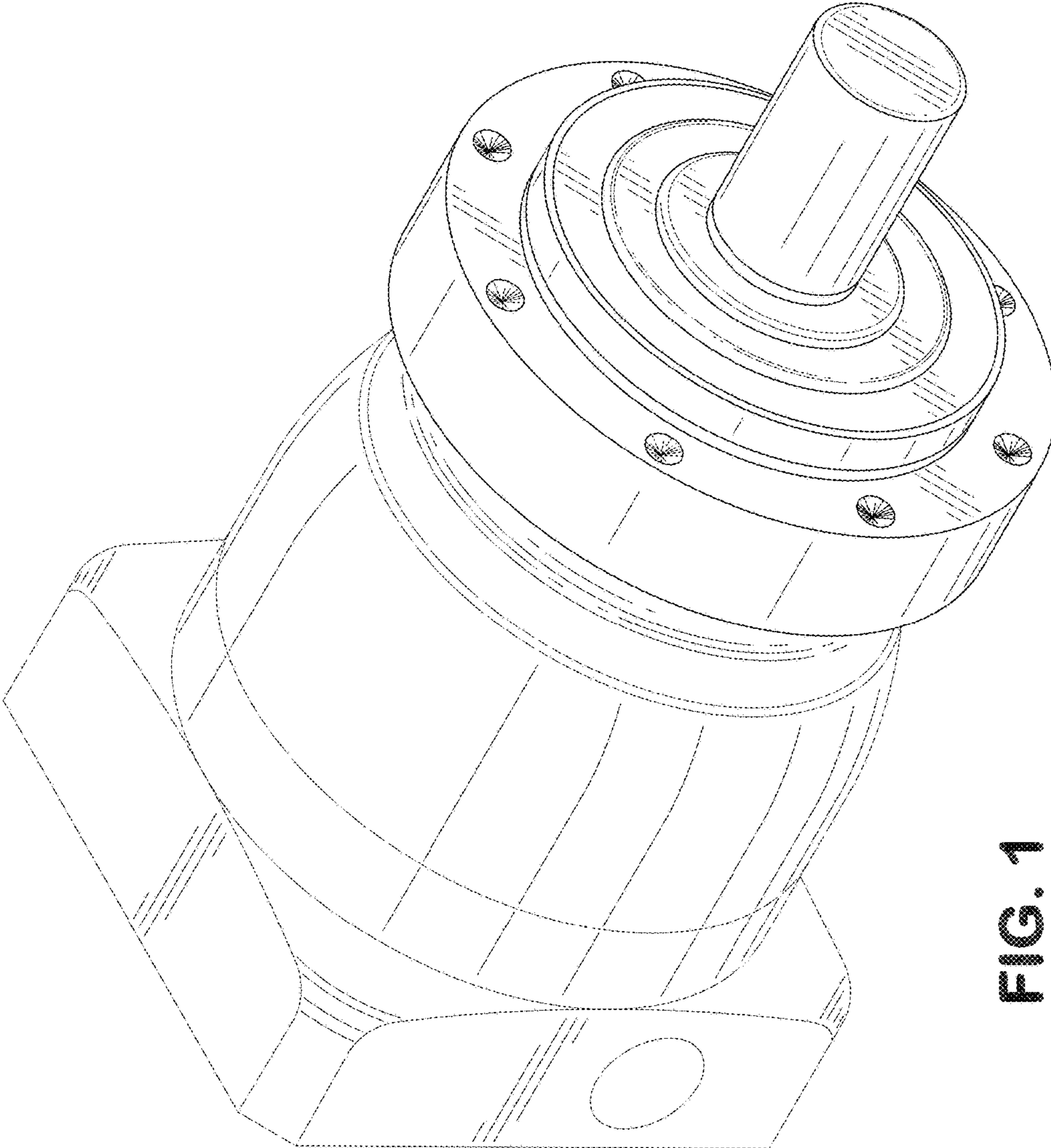


FIG. 1

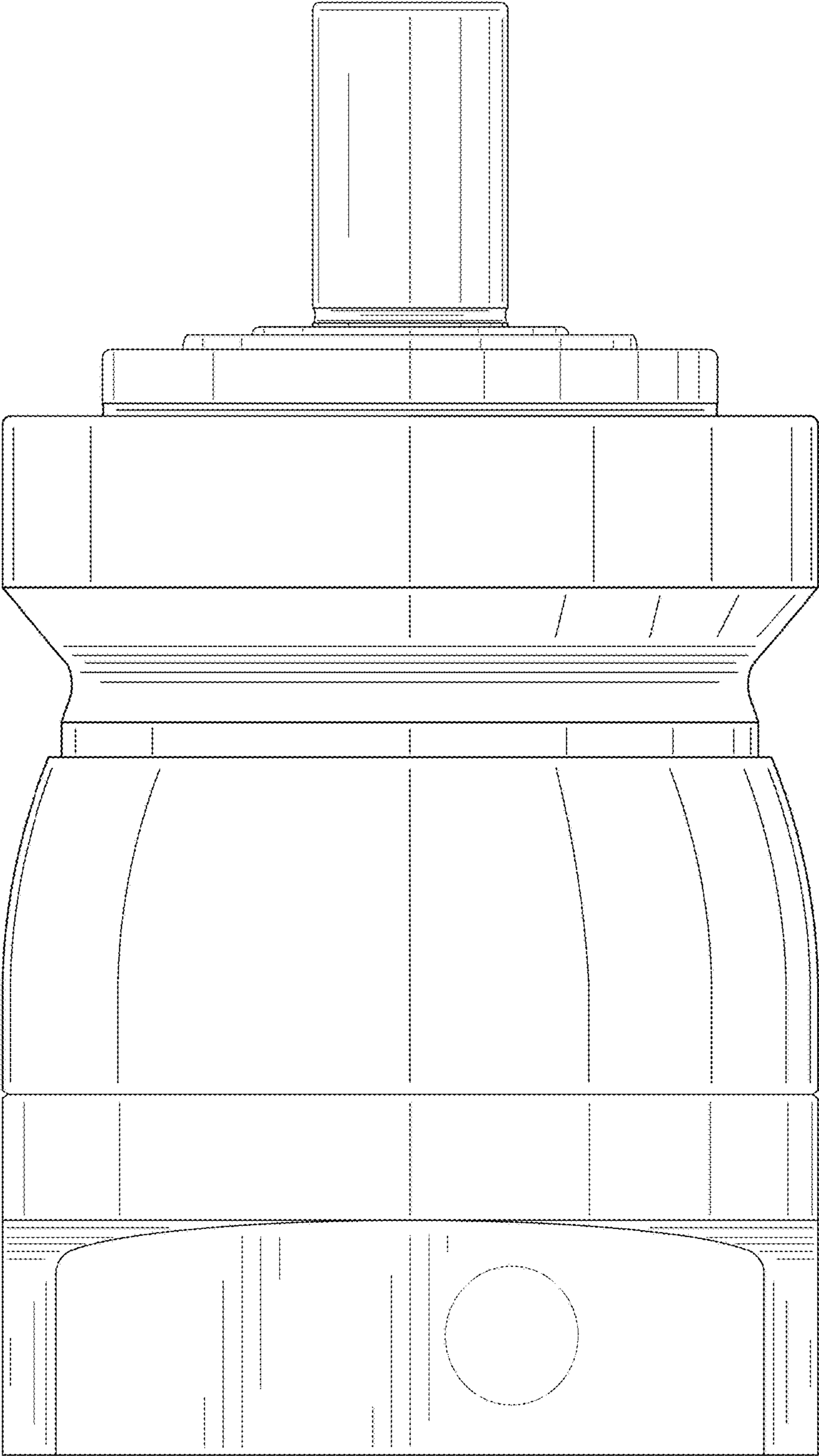


FIG. 2

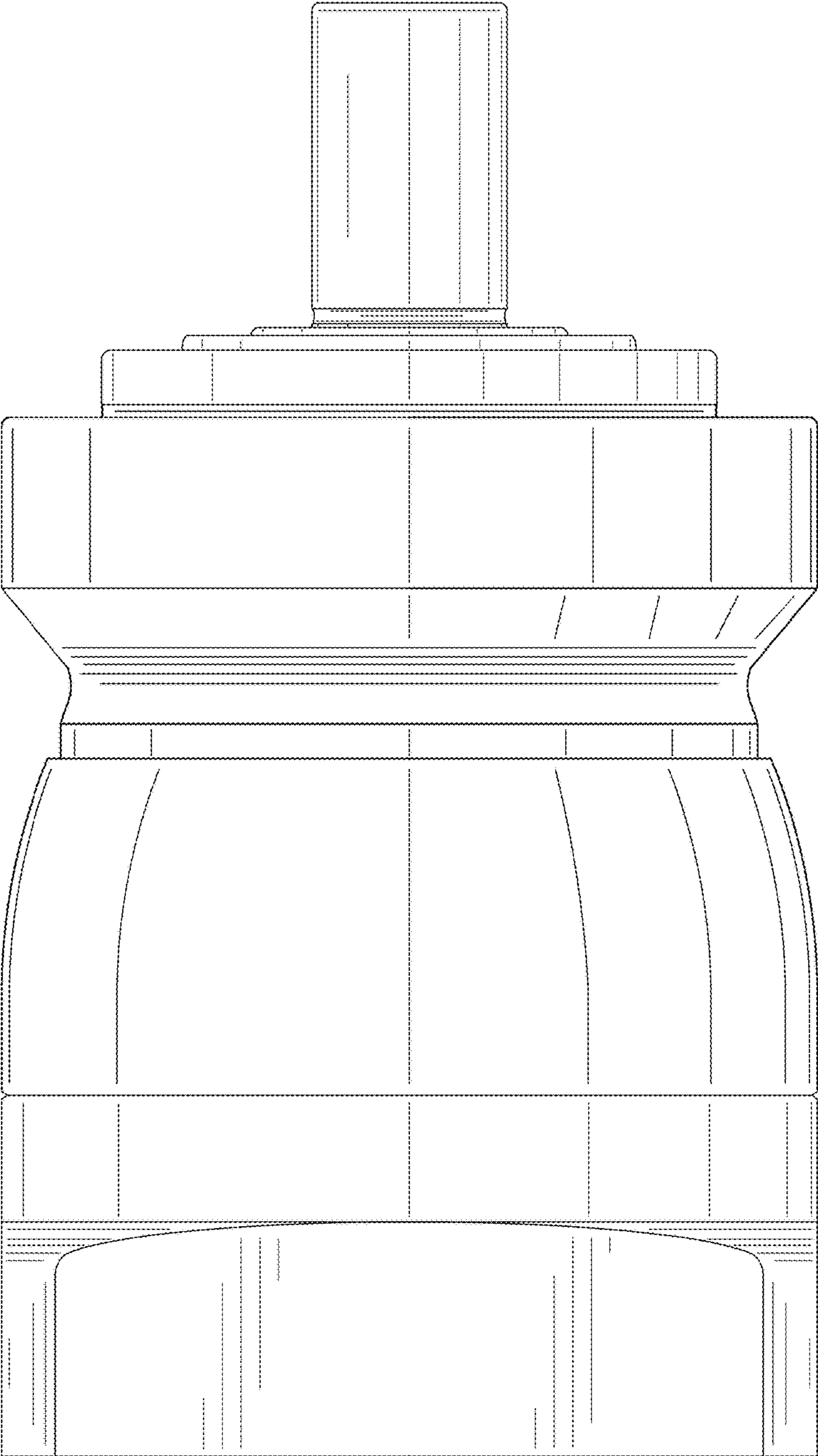


FIG. 3

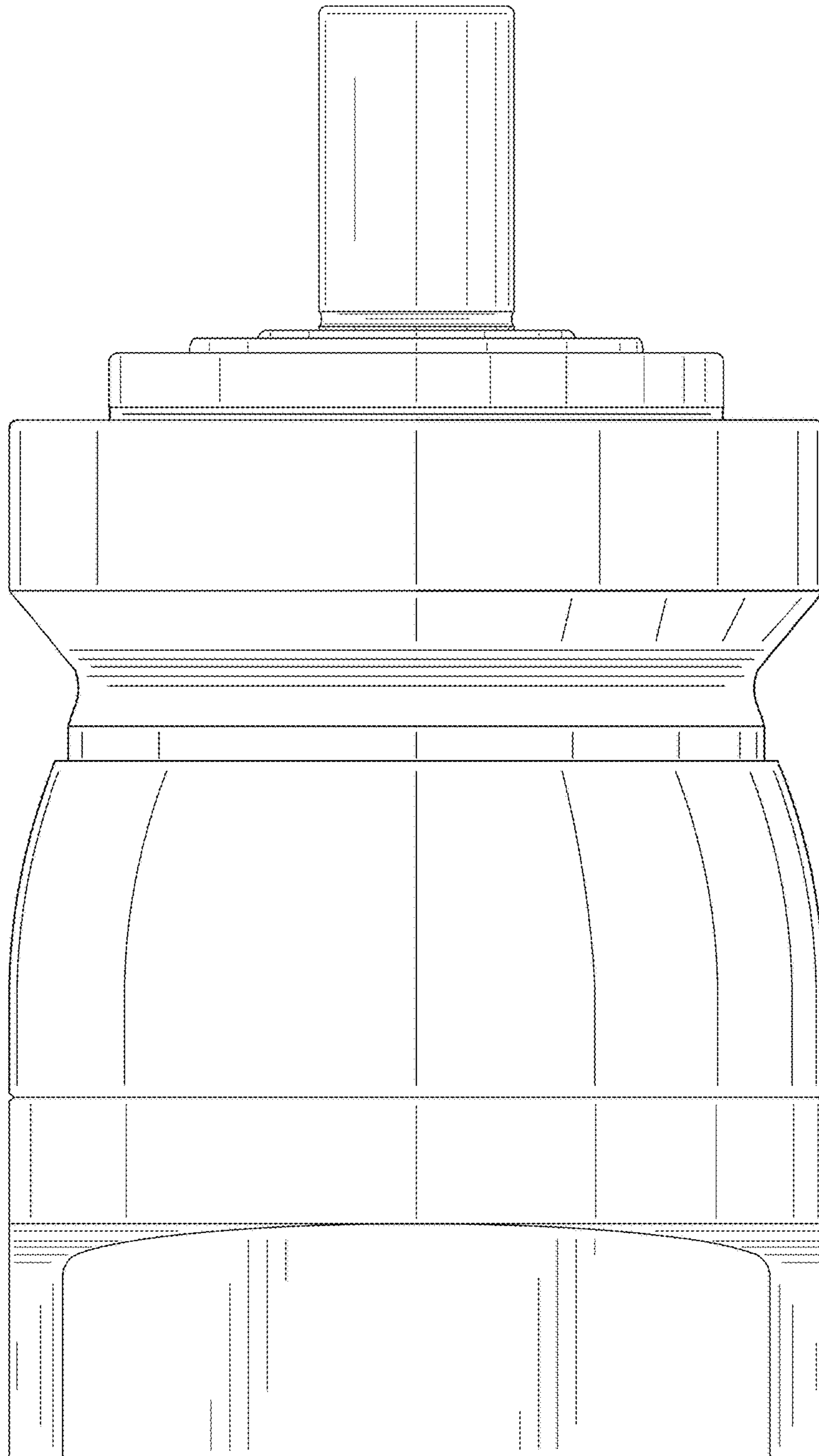


FIG. 4

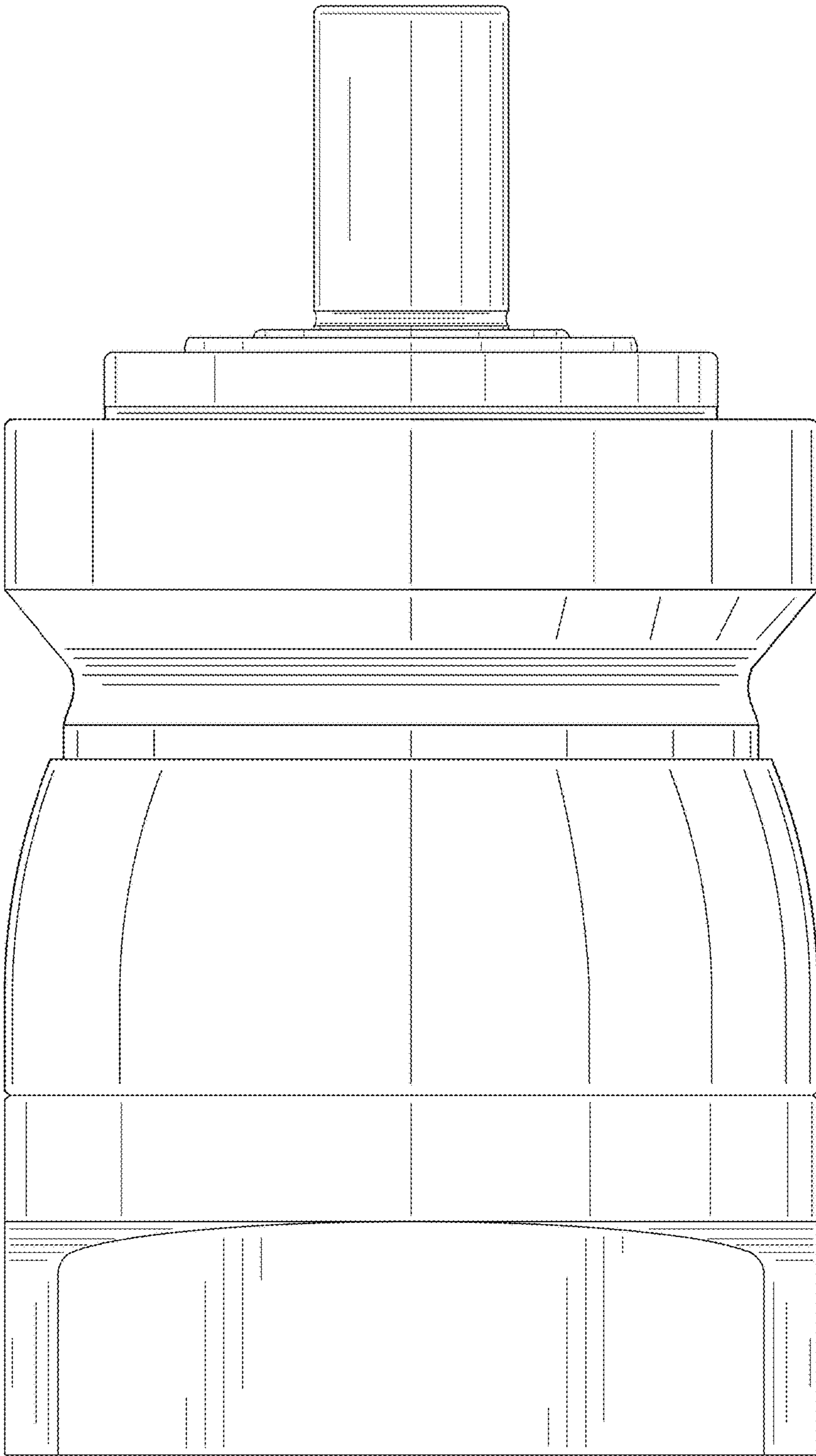


FIG. 5

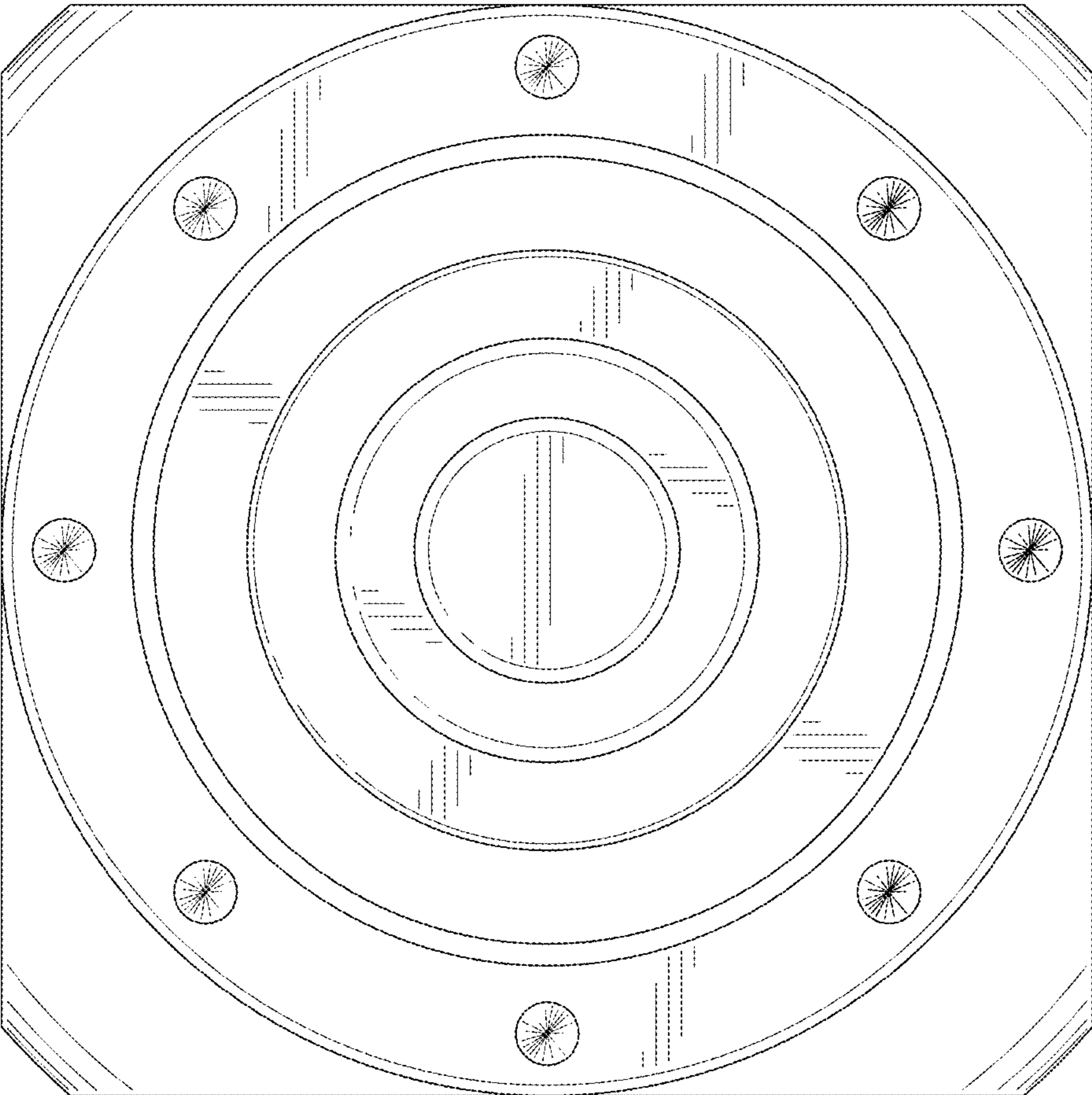


FIG. 6

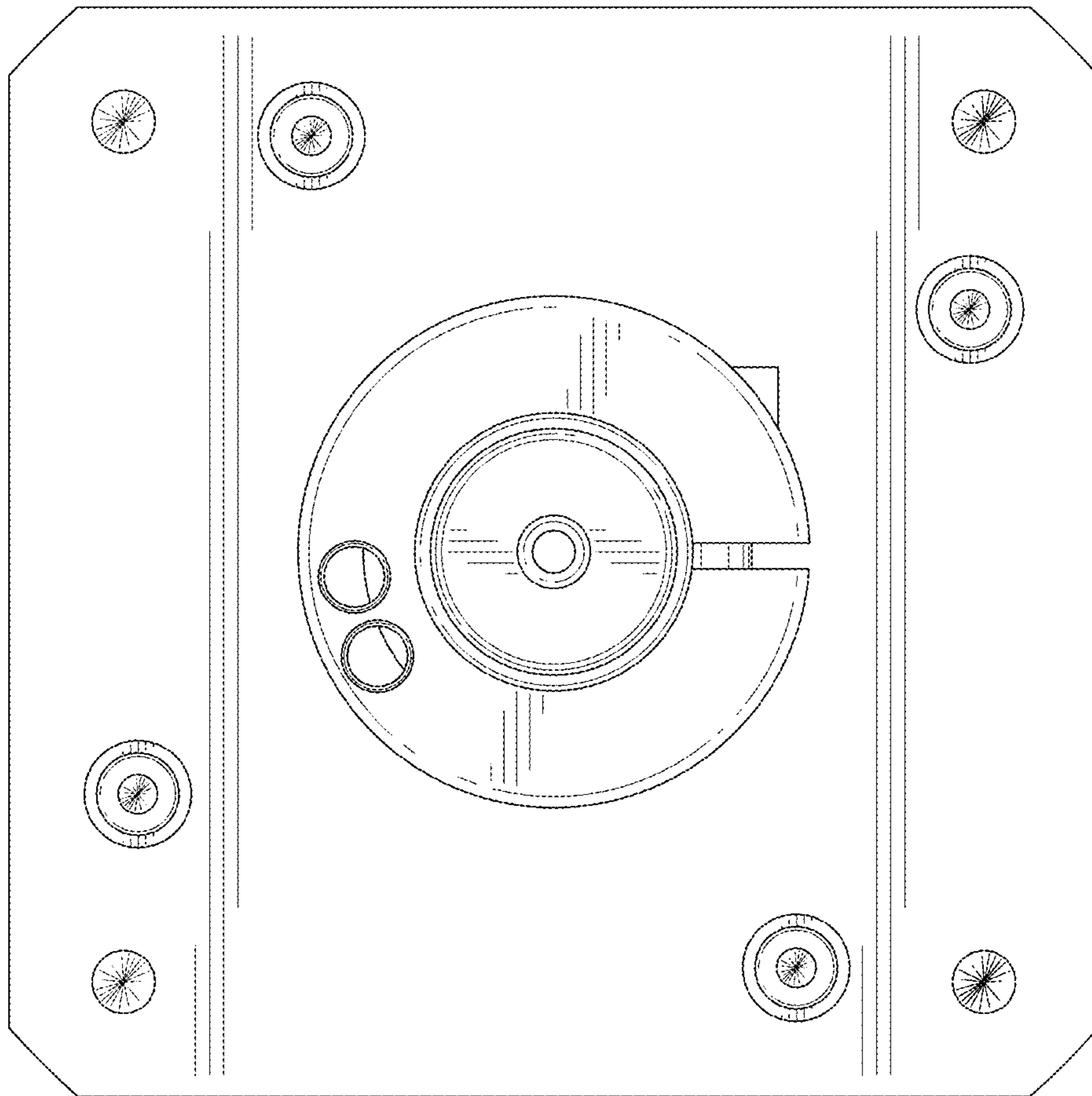


FIG. 7