



US00D797167S

(12) **United States Design Patent**
Rodriguez

(10) **Patent No.:** **US D797,167 S**

(45) **Date of Patent:** **** Sep. 12, 2017**

(54) **TWO-PART TAPER LOCK ASSEMBLY**

(71) Applicant: **Damian Rodriguez**, Livermore, CA
(US)

(72) Inventor: **Damian Rodriguez**, Livermore, CA
(US)

(**) Term: **15 Years**

(21) Appl. No.: **29/532,247**

(22) Filed: **Jul. 2, 2015**

(51) **LOC (10) Cl.** **15-09**

(52) **U.S. Cl.**
USPC **D15/123**

(58) **Field of Classification Search**
USPC D15/123, 138, 143, 148, 149
(Continued)

(56) **References Cited**

U.S. PATENT DOCUMENTS

- 3,066,502 A * 12/1962 Forrest F16D 3/36
464/99
- D227,397 S * 6/1973 Steinke D15/143
(Continued)

Primary Examiner — Patricia Palasik

(74) *Attorney, Agent, or Firm* — Brian Beverly; Beeson
Skinner Beverly, LLP

(57) **CLAIM**

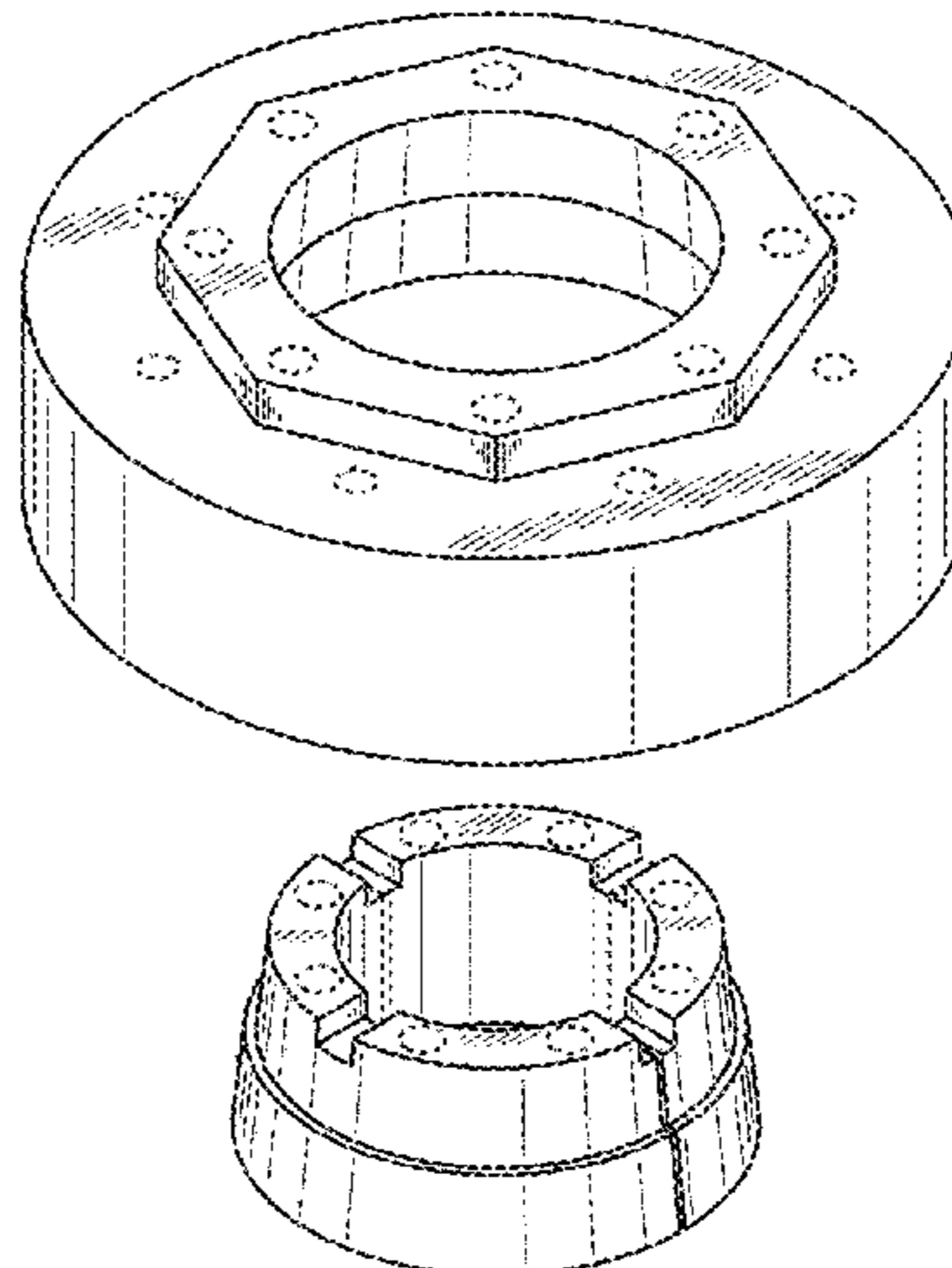
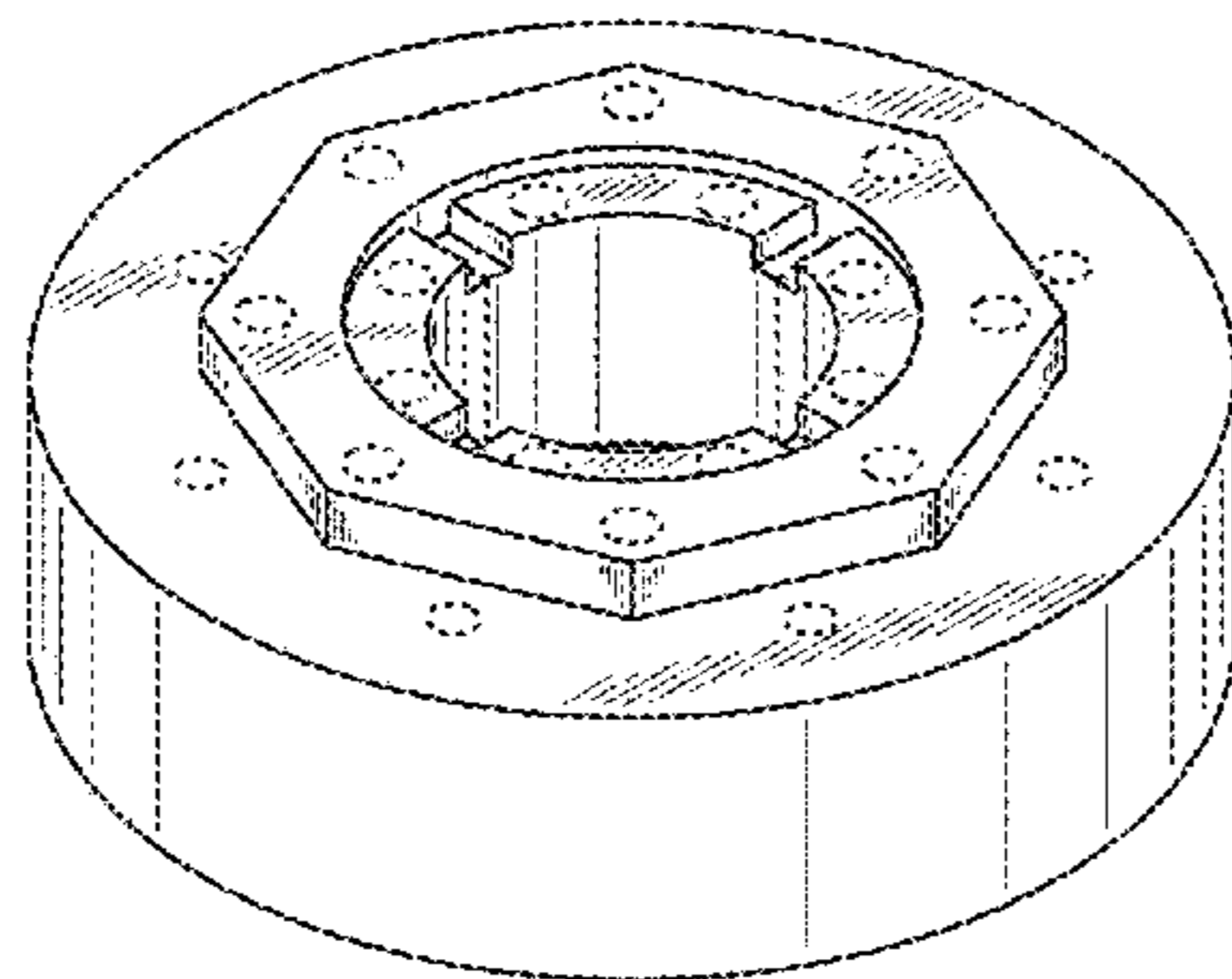
The ornamental design for a two-part taper lock assembly, as shown and described.

DESCRIPTION

FIG. 1 is a front perspective view of a two-part taper lock assembly, showing my new design;
FIG. 2 is an exploded front perspective view thereof;
FIG. 3 is a front elevational view thereof, the left side, right side, and rear elevational views being identical thereto;

FIG. 4 is a top plan view thereof;
FIG. 5 is a bottom plan view thereof;
FIG. 6 is a cross-sectional view thereof, taken along line 6-6 of FIG. 4;
FIG. 7 is a front elevational view of the rotor boss of the two-part taper lock assembly shown removed for clarity of disclosure, the left side, right side, and rear elevational views being identical thereto;
FIG. 8 is a top plan view thereof;
FIG. 9 is a bottom plan view thereof;
FIG. 10 is a front elevational view of the taper lock of the two-part taper lock assembly shown removed for clarity of disclosure, the rear and left side elevational views being identical thereto;
FIG. 11 is a right side elevational view thereof;
FIG. 12 is a top plan view thereof; and
FIG. 13 is a bottom plan view thereof;
FIG. 14 is a front perspective view of a second embodiment of the two-part taper lock assembly in accordance with the present invention;
FIG. 15 is an exploded front perspective view thereof;
FIG. 16 is a front elevational view thereof, the left side, right side, and rear elevational views being identical thereto;
FIG. 17 is a top plan view thereof;
FIG. 18 is a bottom plan view thereof;
FIG. 19 is a cross-sectional view thereof, taken along line 19-19 in FIG. 17;
FIG. 20 is a front elevational view of the rotor boss of the two-part taper lock assembly shown removed for clarity, the left side, right side, and rear elevational views being identical thereto;
FIG. 21 is a top plan view thereof; and
FIG. 22 is a bottom plan view thereof;
FIG. 23 is a front elevational view of the taper lock of the two-part taper lock assembly shown removed for clarity of disclosure, the rear and left side elevational views being identical thereto;
FIG. 24 is a right side elevational view thereof;
FIG. 25 is a top plan view thereof; and
FIG. 26 is a bottom plan view thereof.
The broken lines in the drawings depict unclaimed environmental subject matter.

1 Claim, 10 Drawing Sheets



(58) **Field of Classification Search**

CPC E04F 11/1851; E06B 3/54; E06B 3/5454;
Y10T 29/49826; Y10T 29/53683

See application file for complete search history.

(56) **References Cited**

U.S. PATENT DOCUMENTS

3,993,147 A * 11/1976 Mitchell E21B 7/28
175/344
4,026,125 A * 5/1977 Patterson F16D 3/185
464/120
D262,033 S * 11/1981 Totsu D15/138
D288,694 S * 3/1987 Dobbertin D15/148
D379,999 S * 6/1997 Benson D15/143
D380,959 S * 7/1997 Mitchell D15/143
6,099,196 A * 8/2000 Lancelot, III E04C 5/165
403/300
6,660,039 B1 * 12/2003 Evans A61F 2/3886
623/20.29
7,303,495 B2 * 12/2007 Schoenek F16C 35/067
384/542
7,681,341 B2 * 3/2010 Ruvang E02F 9/2833
37/456
7,744,302 B2 6/2010 Rodriguez
8,100,909 B2 * 1/2012 Butler A61B 17/7035
606/151
9,181,985 B2 * 11/2015 Carlson F16D 1/0864

* cited by examiner

FIG. 1

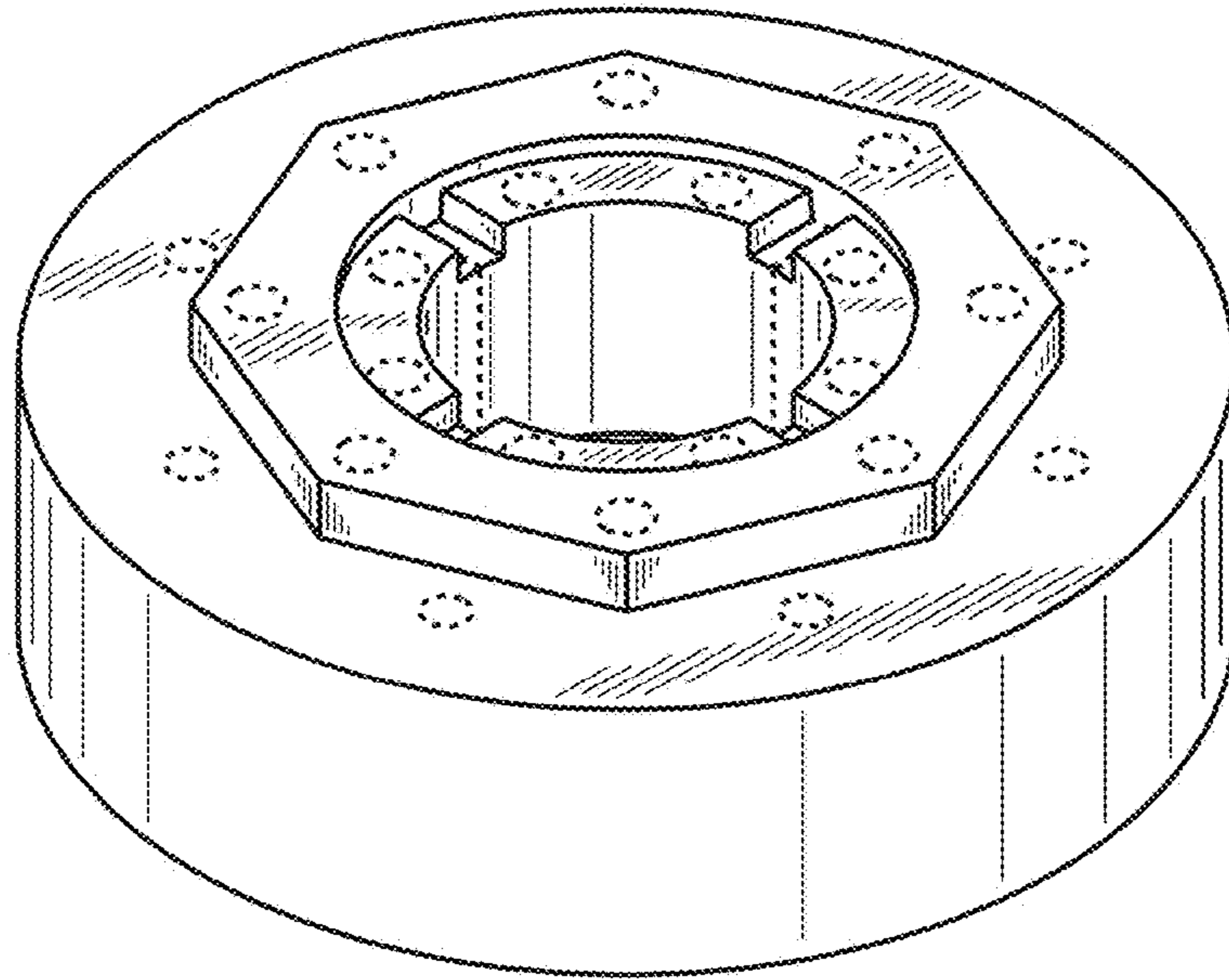


FIG. 2

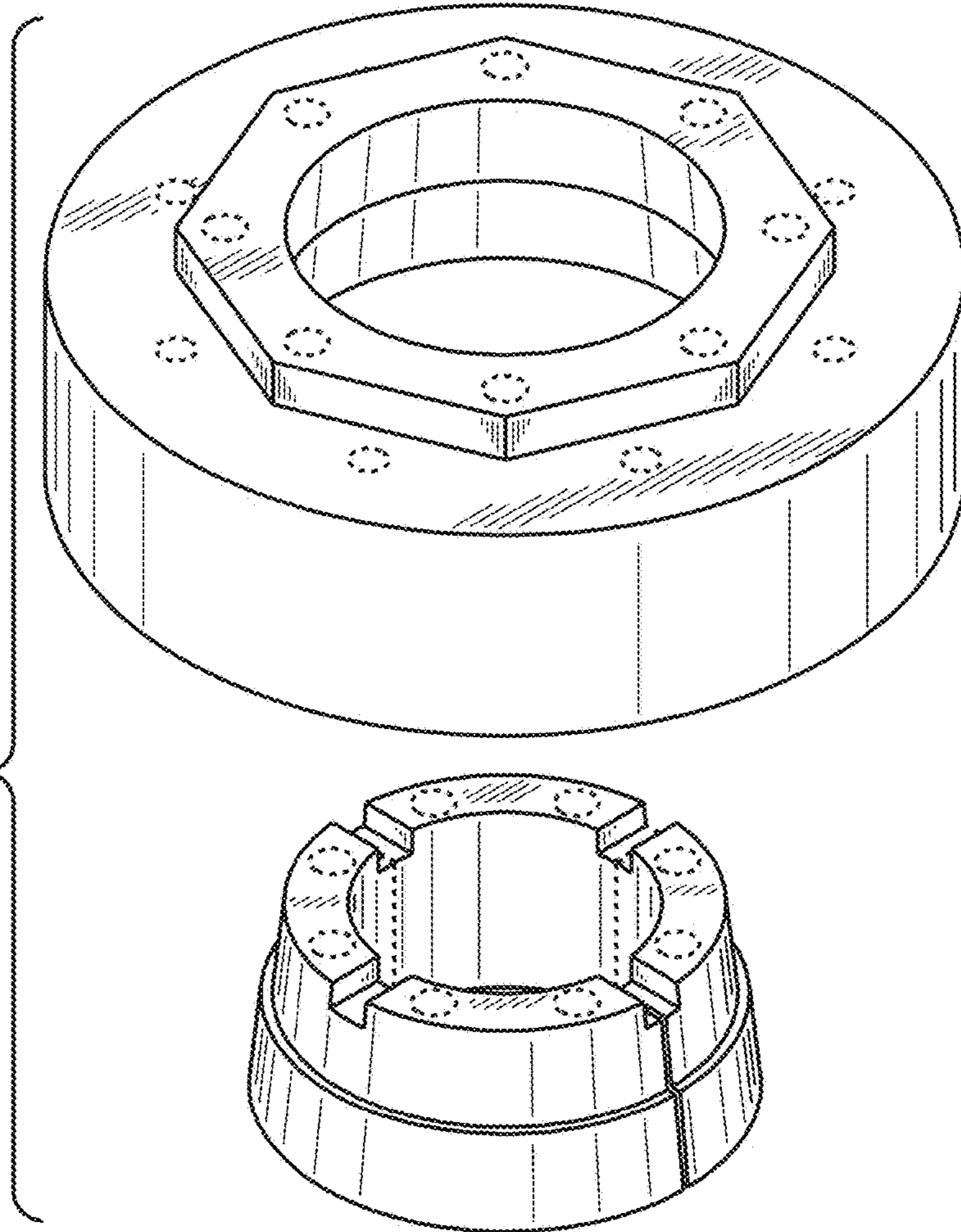


FIG. 3

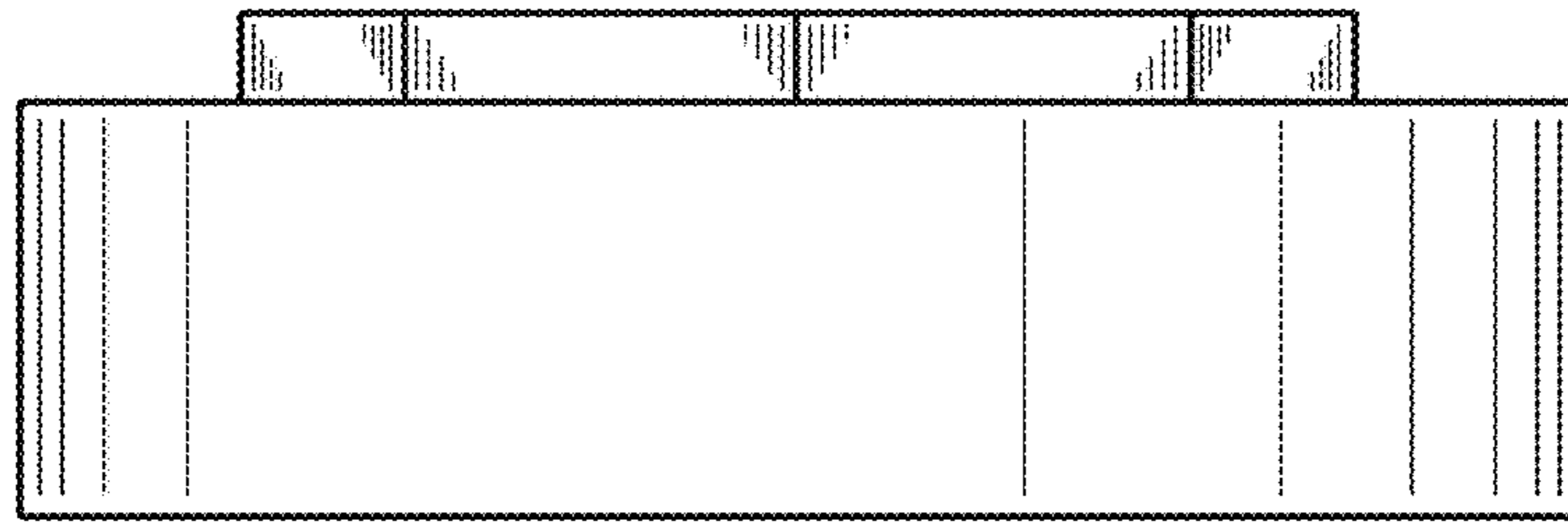


FIG. 4

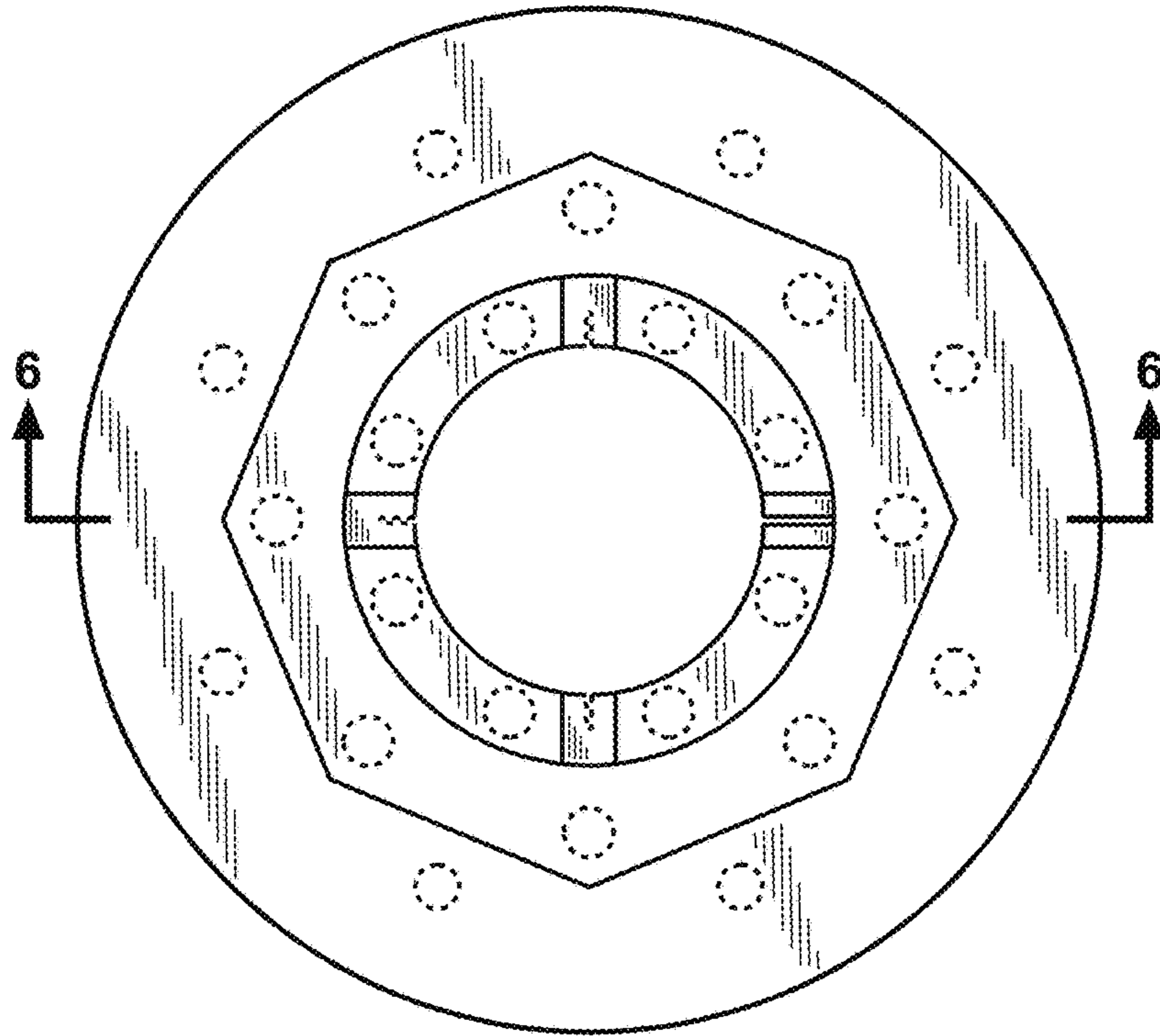
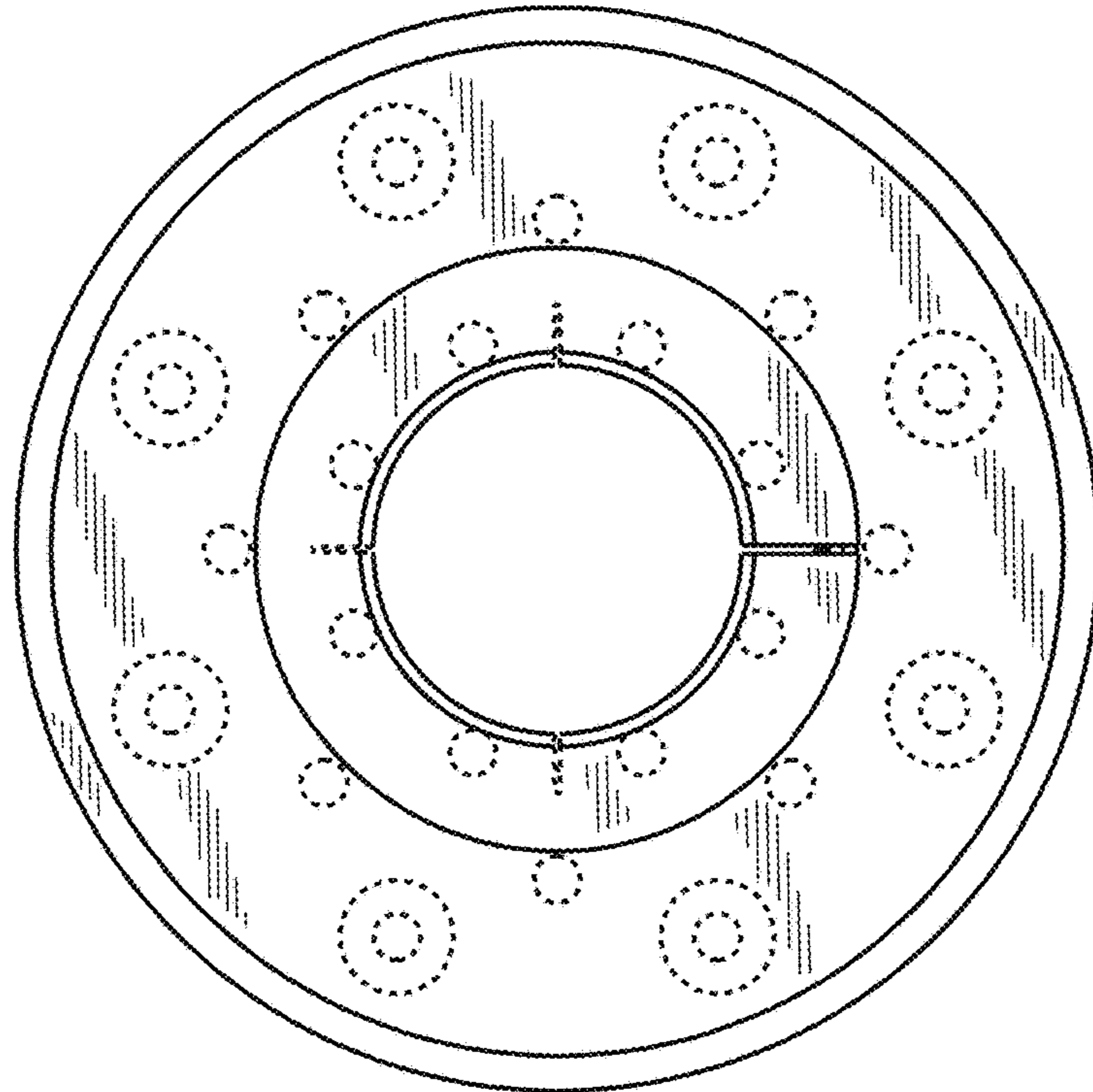


FIG. 5



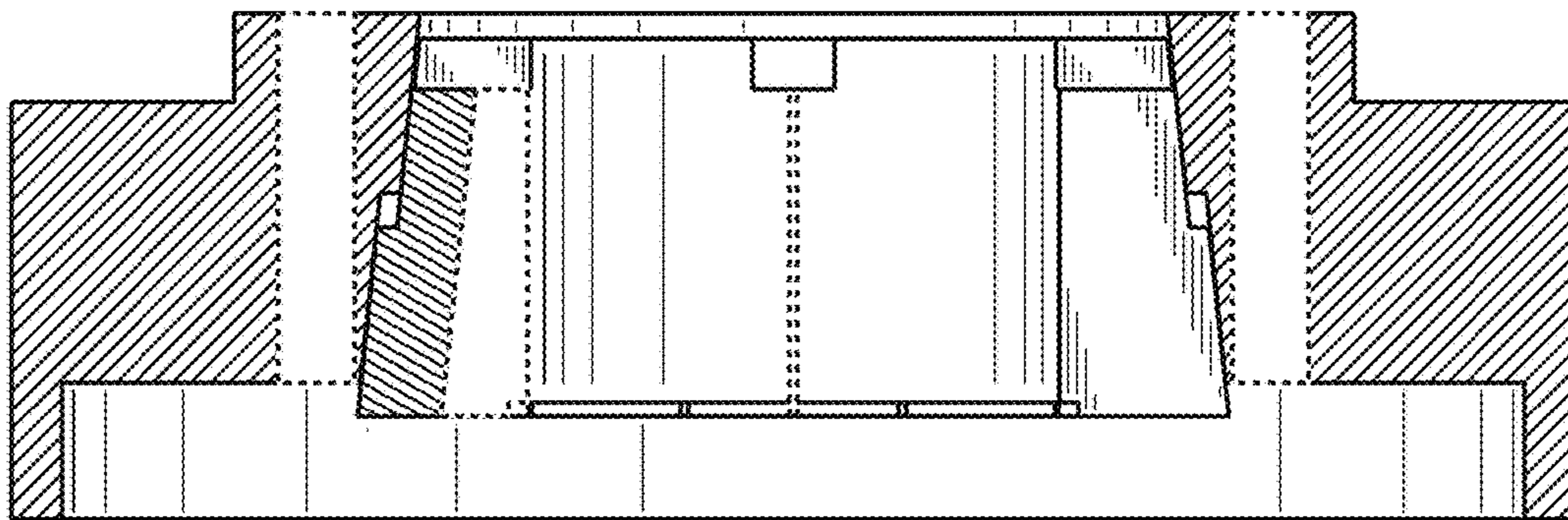


FIG. 6

FIG. 7

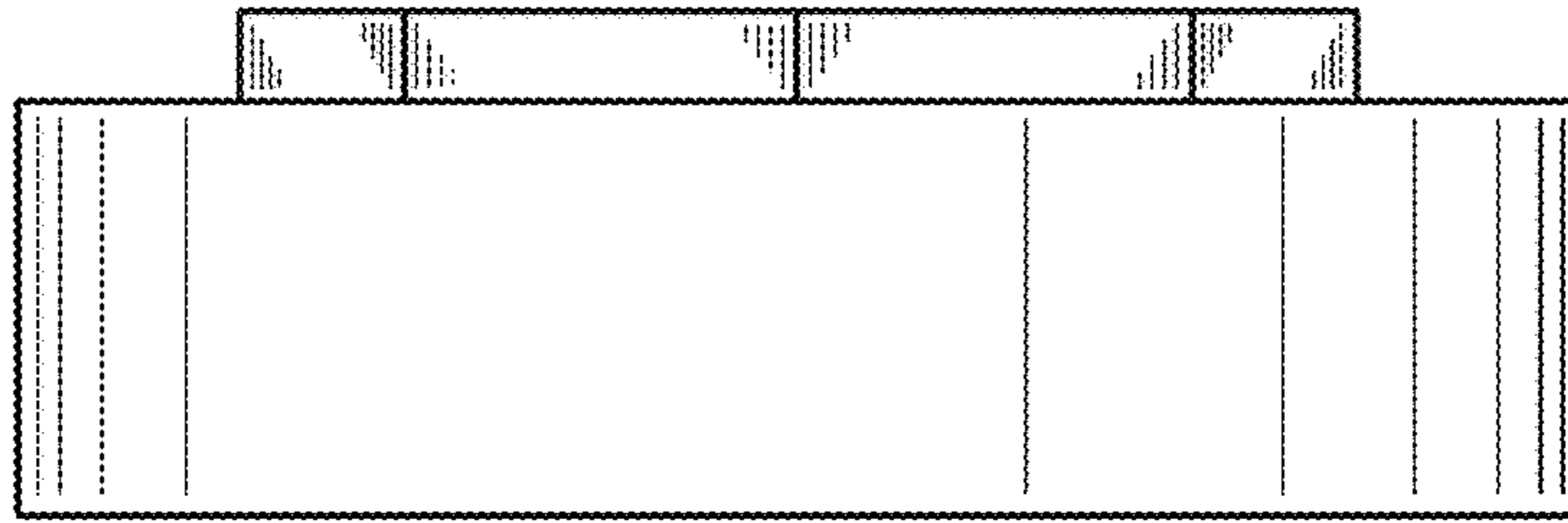


FIG. 8

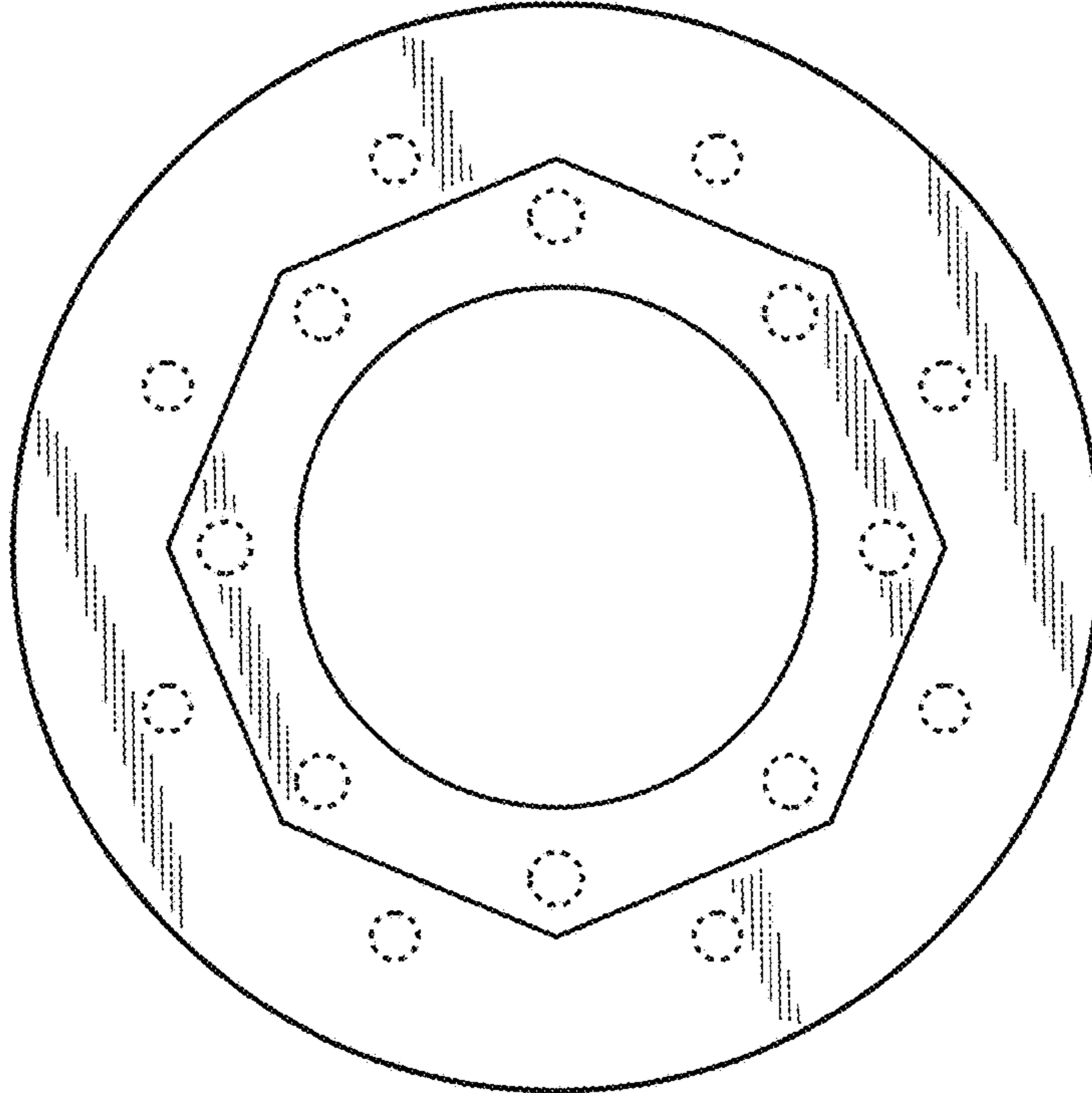


FIG. 9

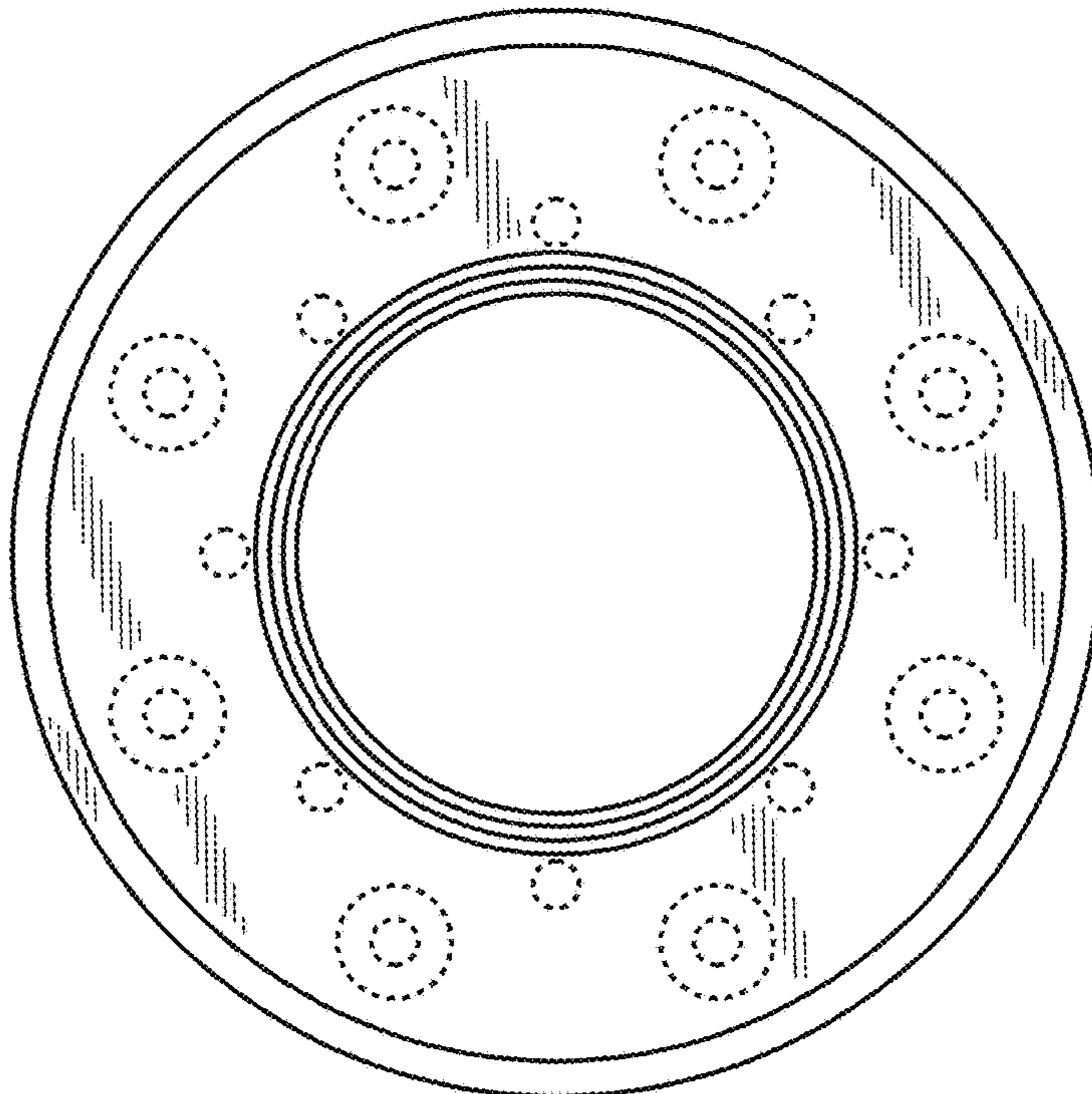


FIG. 10

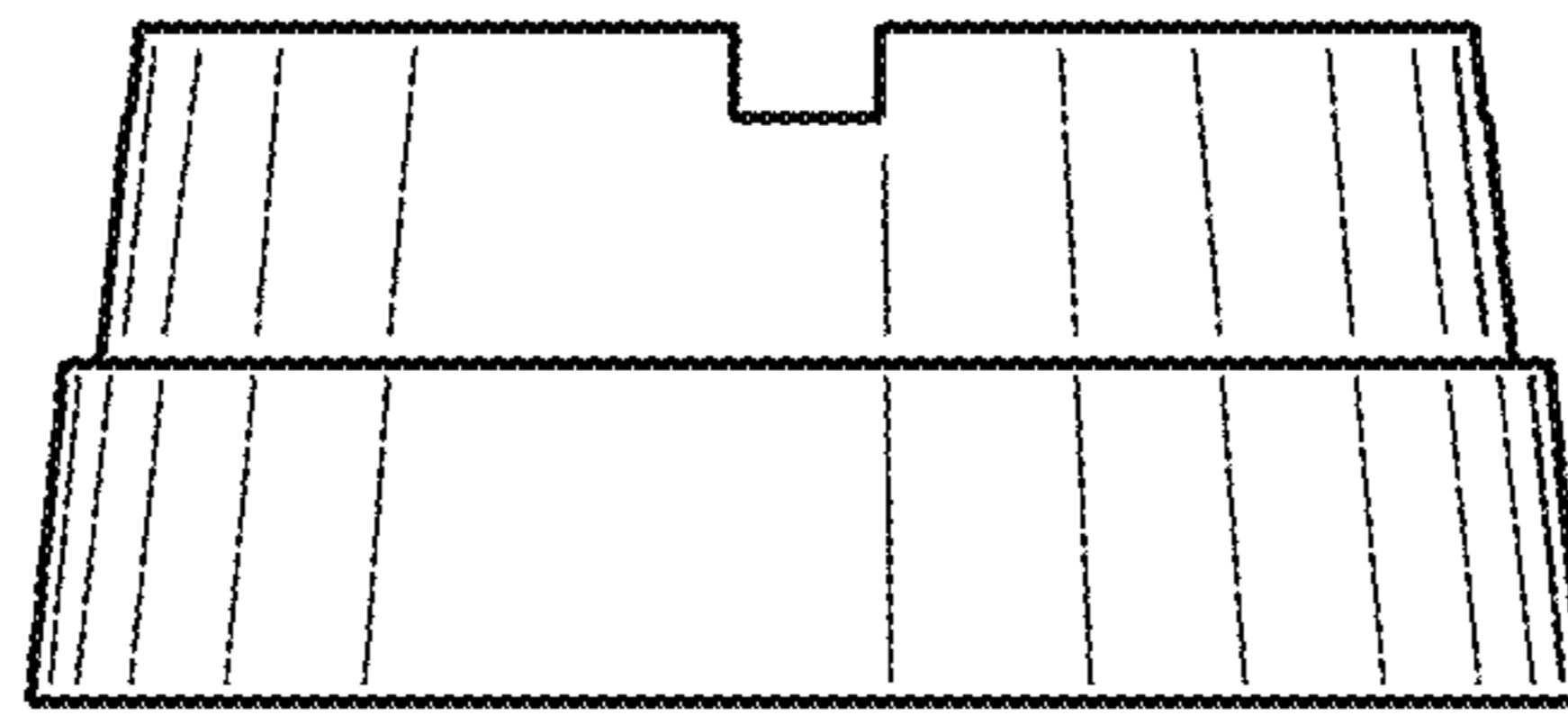


FIG. 11

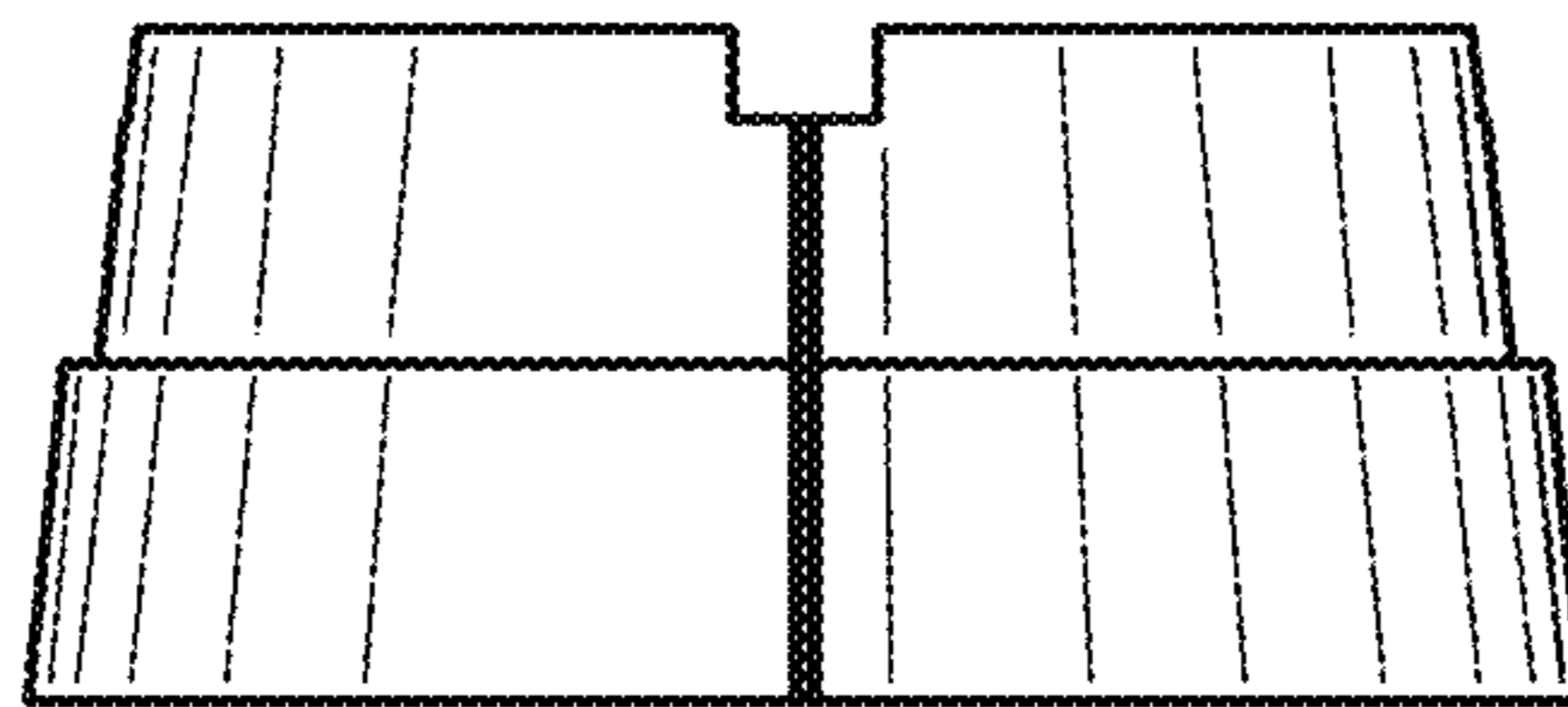


FIG. 12

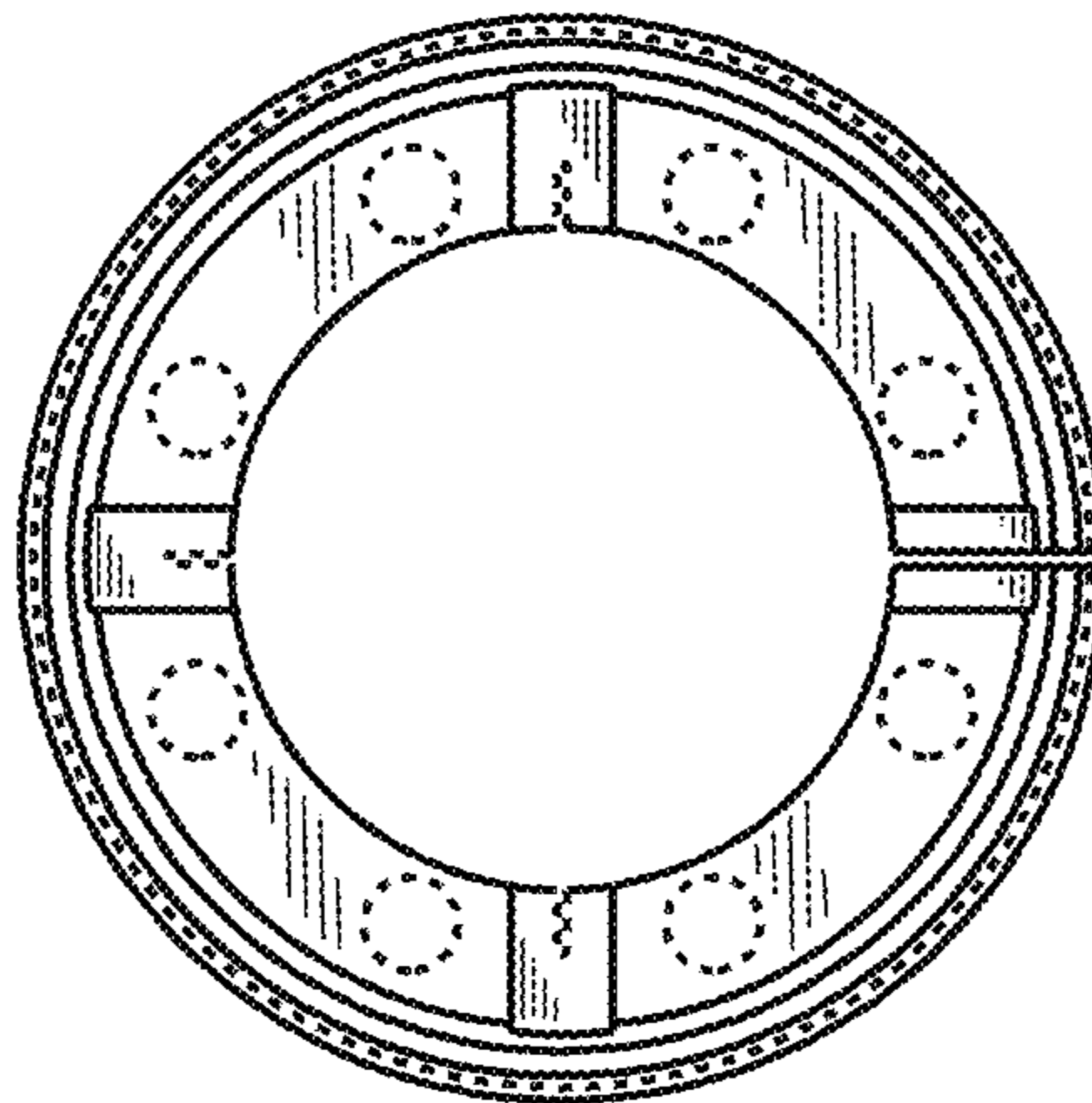


FIG. 13

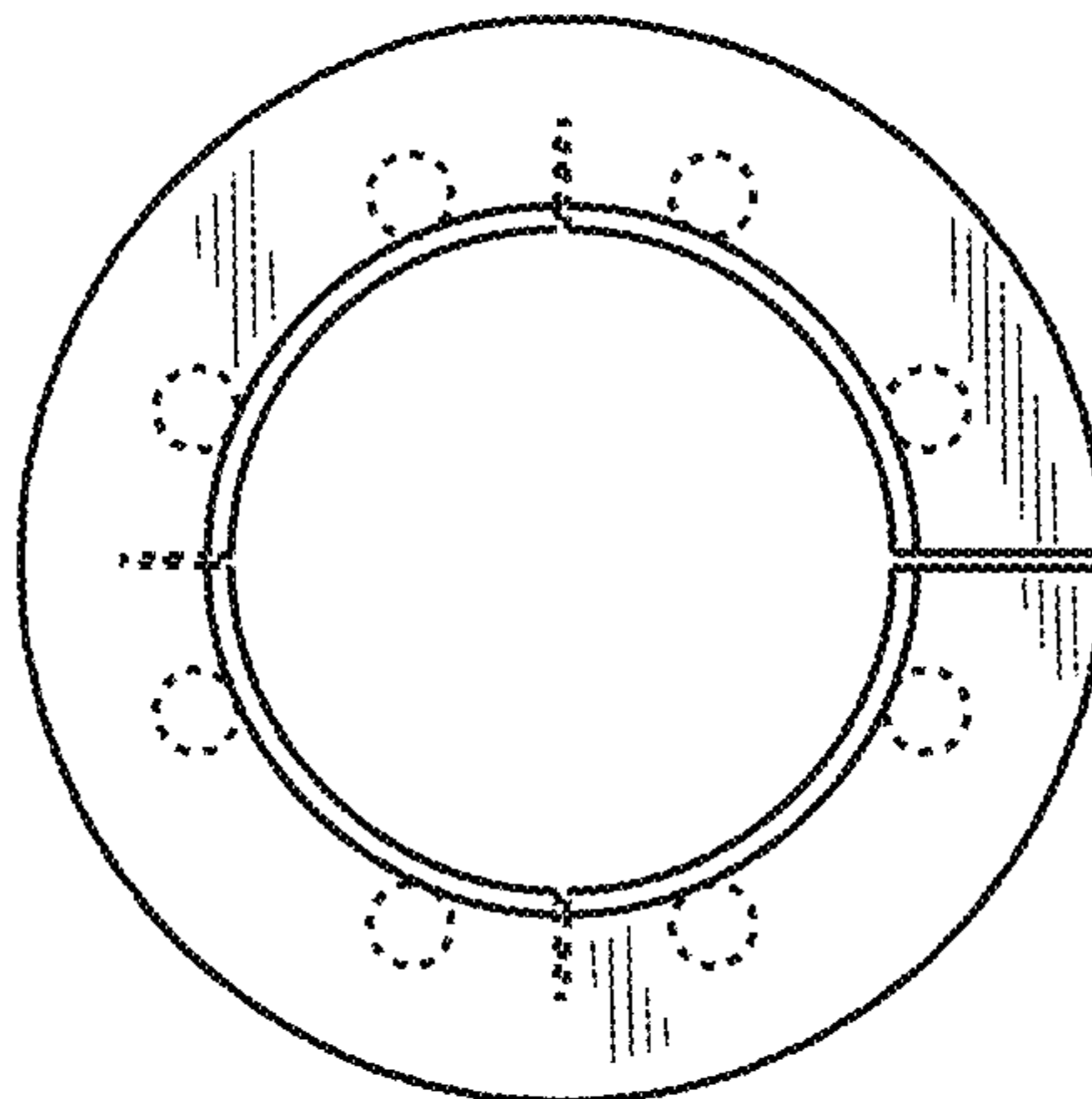


FIG. 14

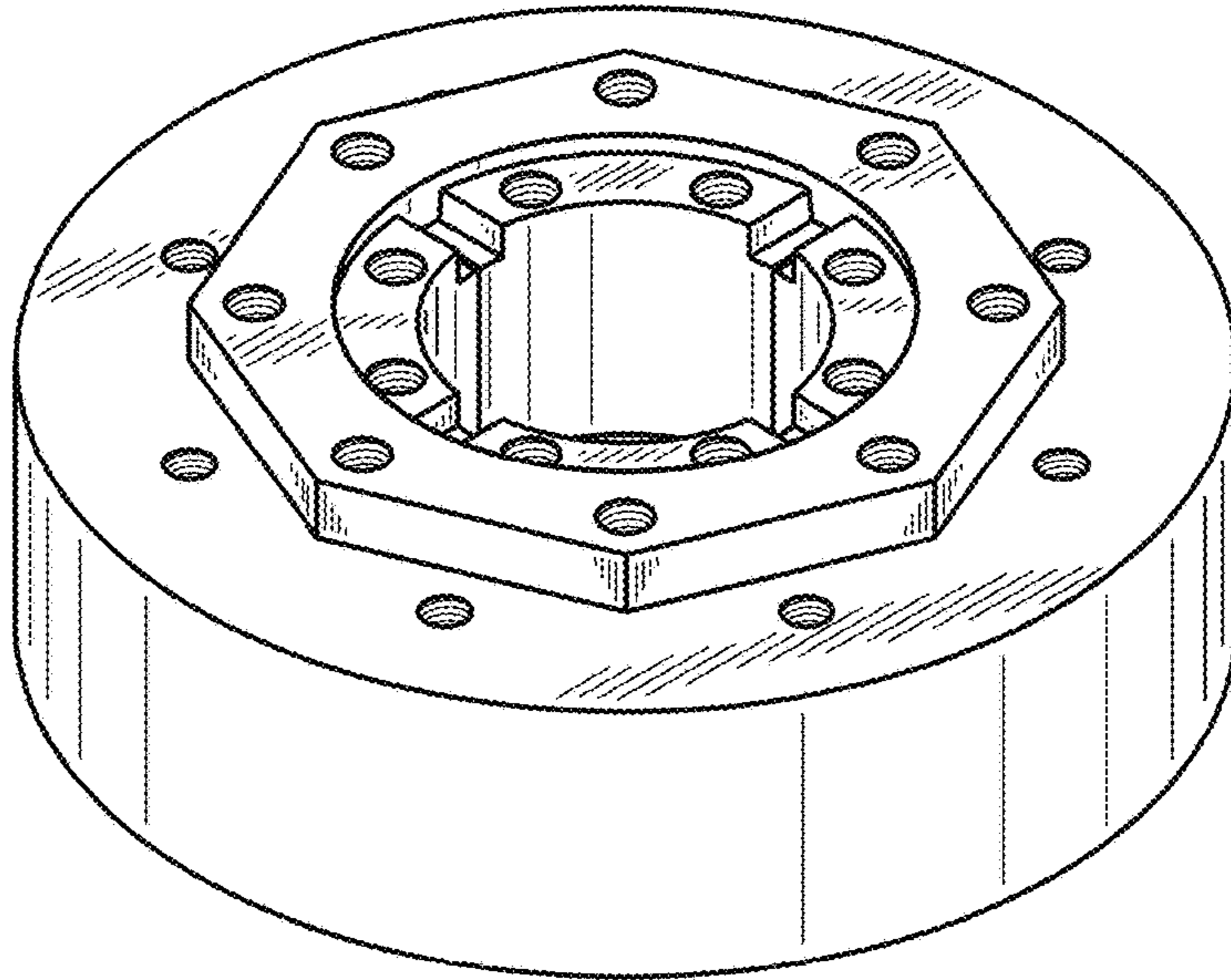


FIG. 15

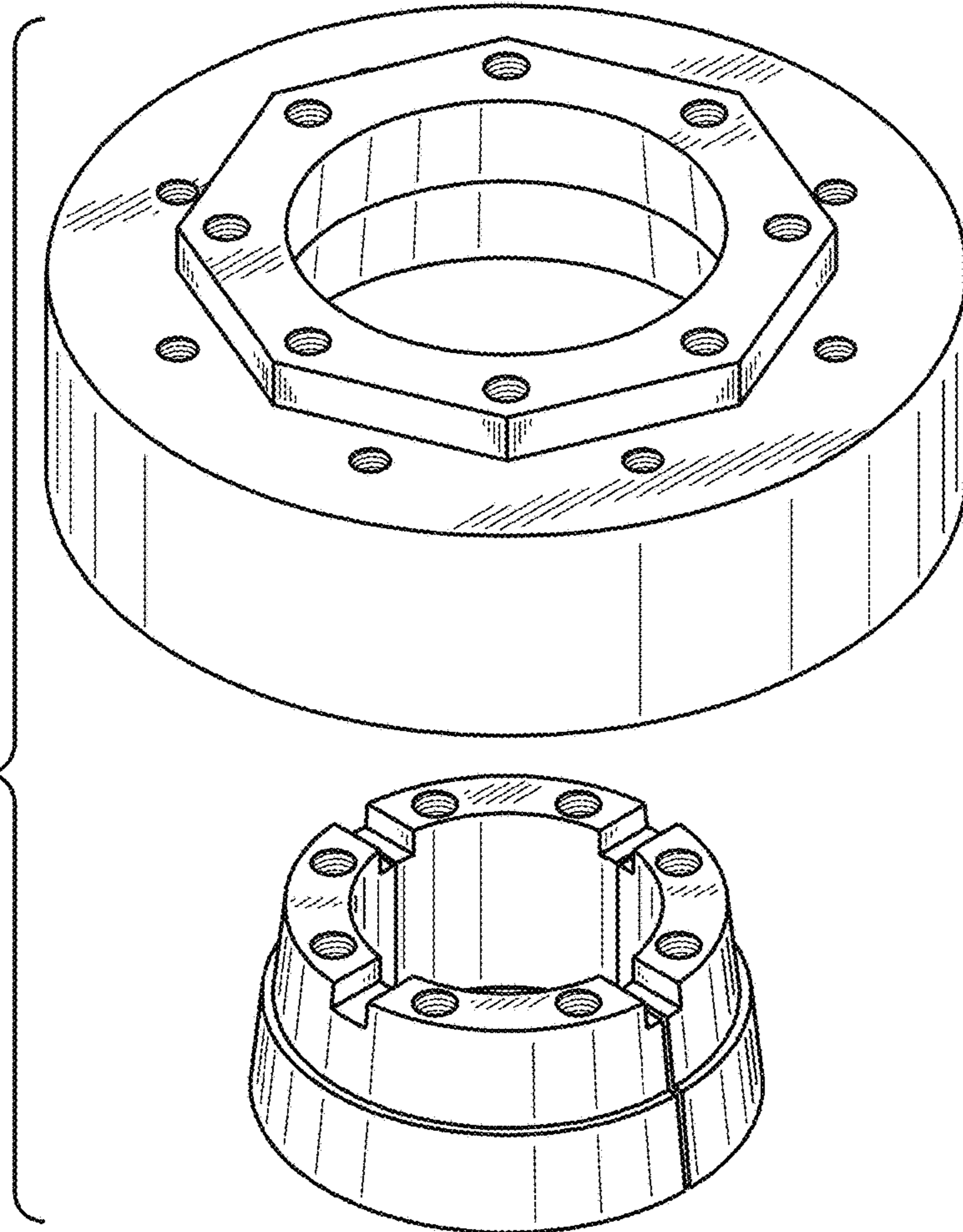


FIG. 16

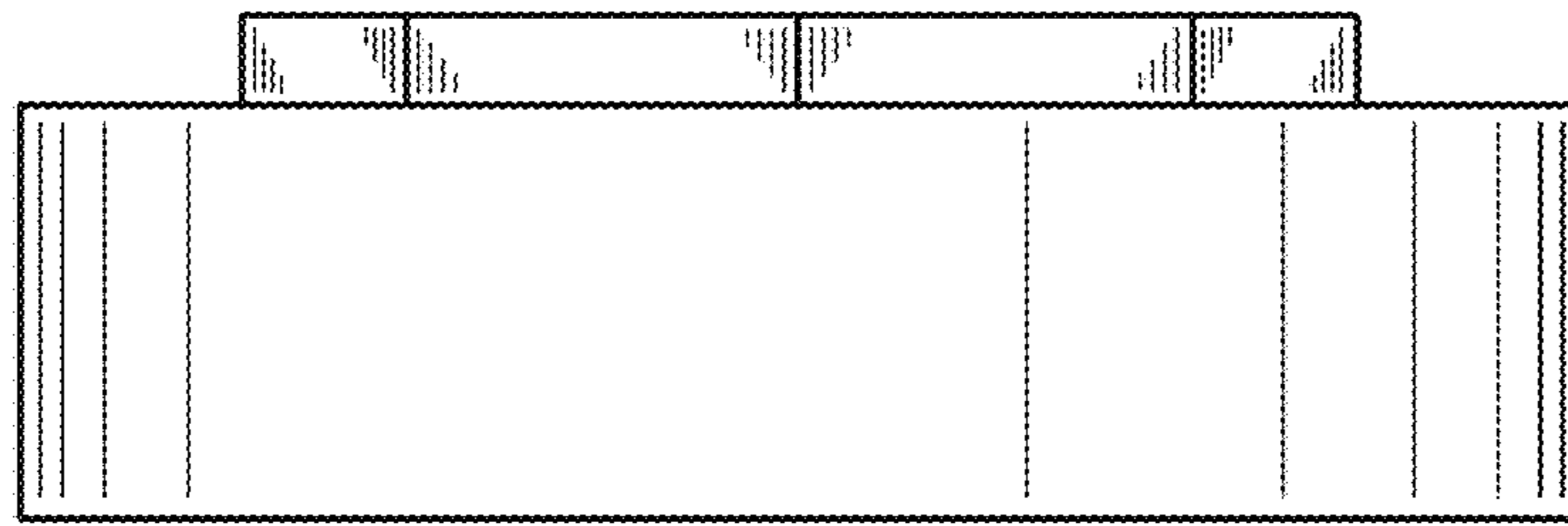


FIG. 17

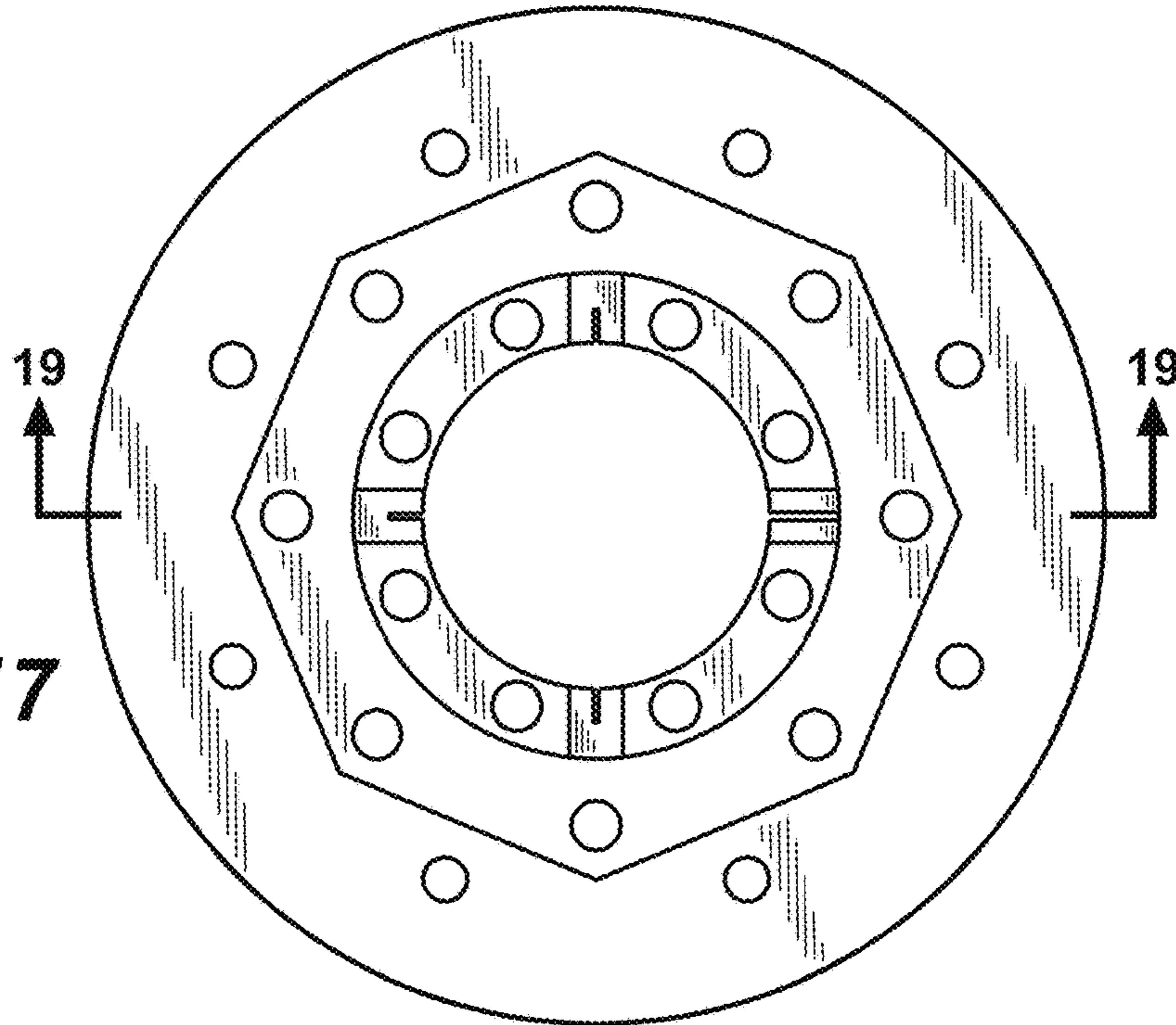
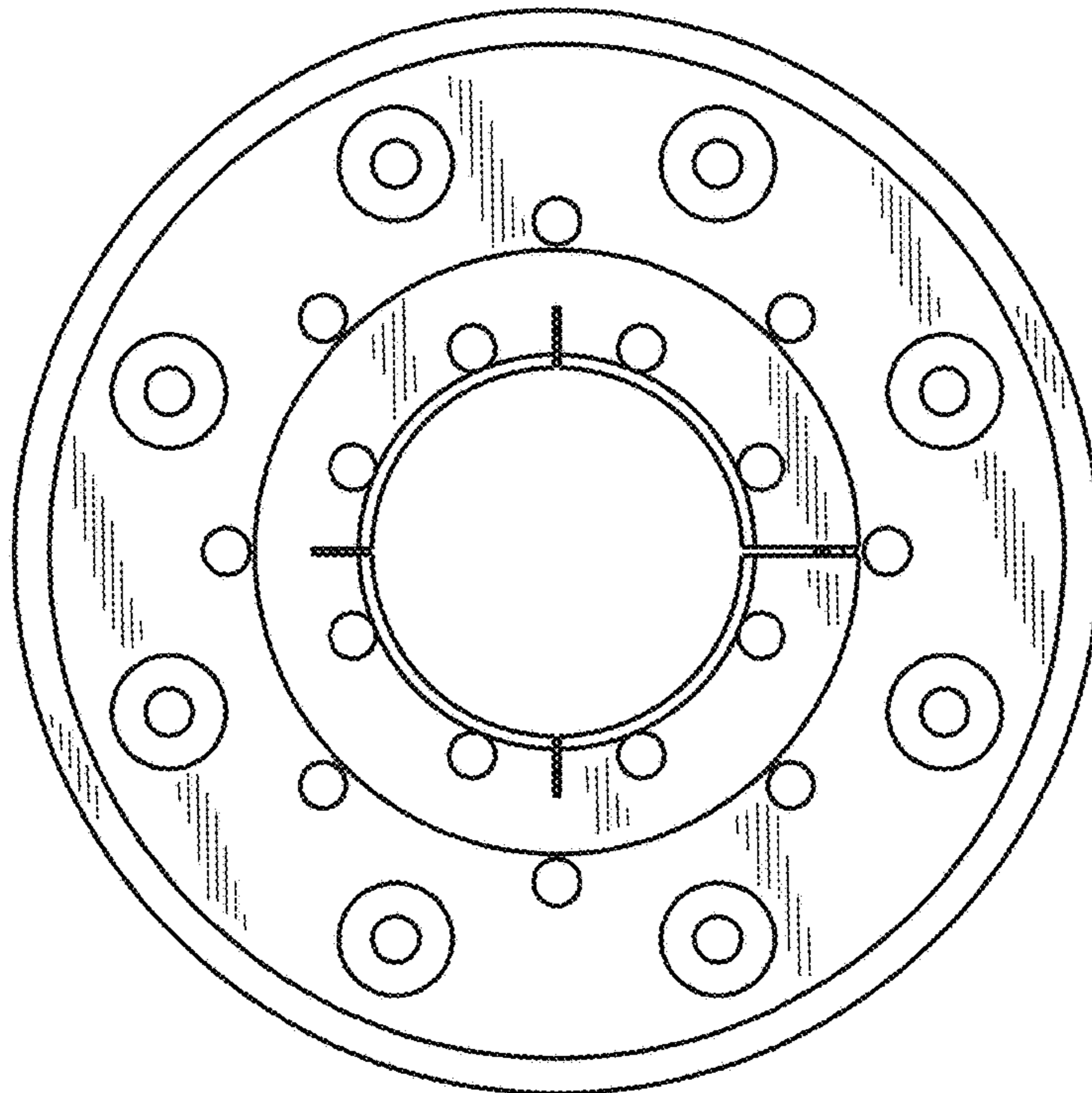


FIG. 18



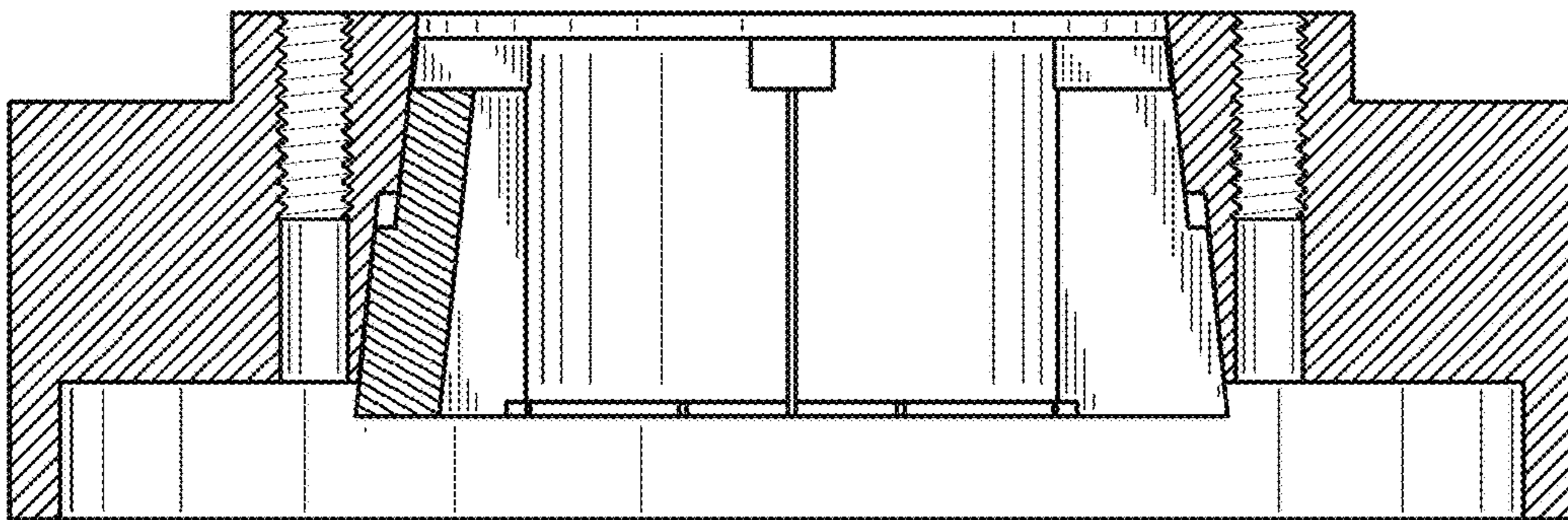


FIG. 19

FIG. 20

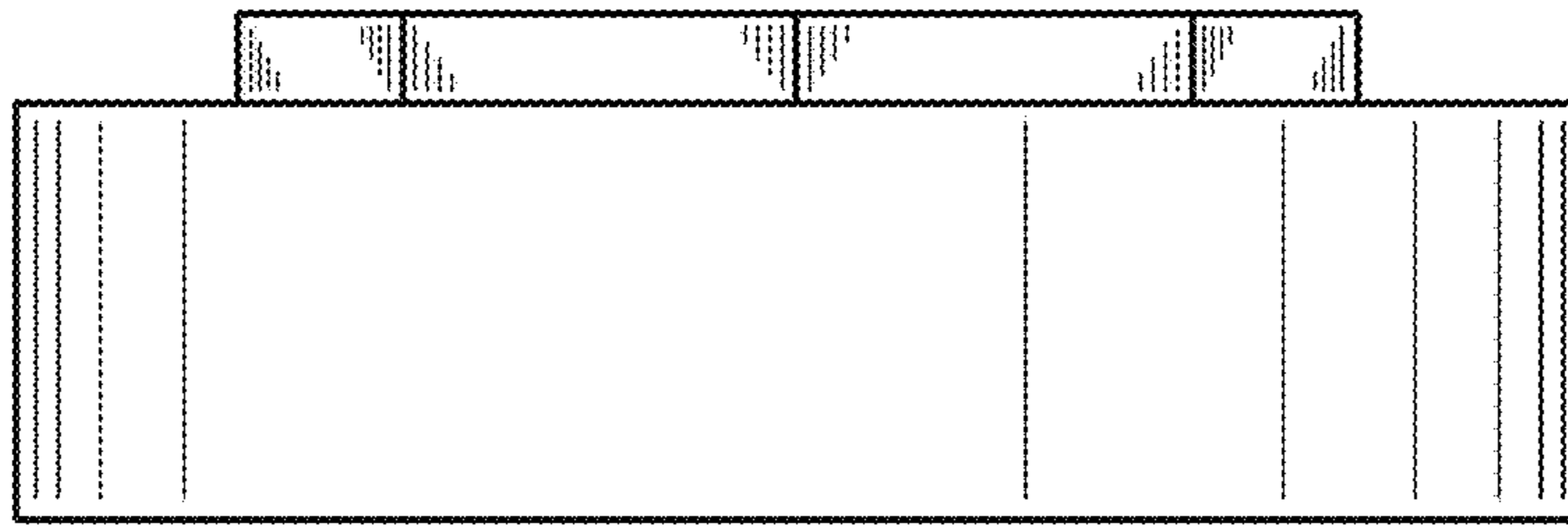


FIG. 21

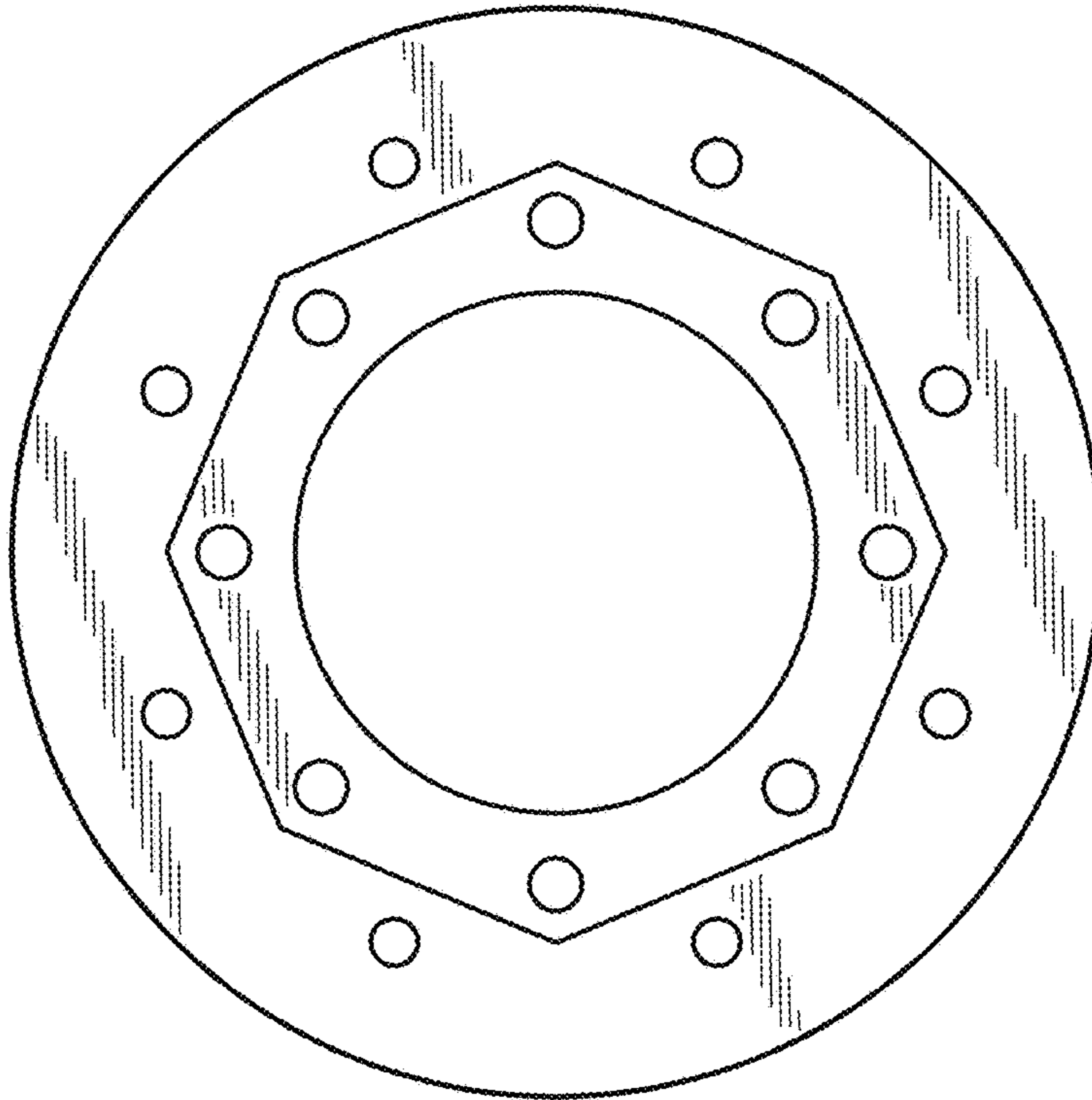


FIG. 22

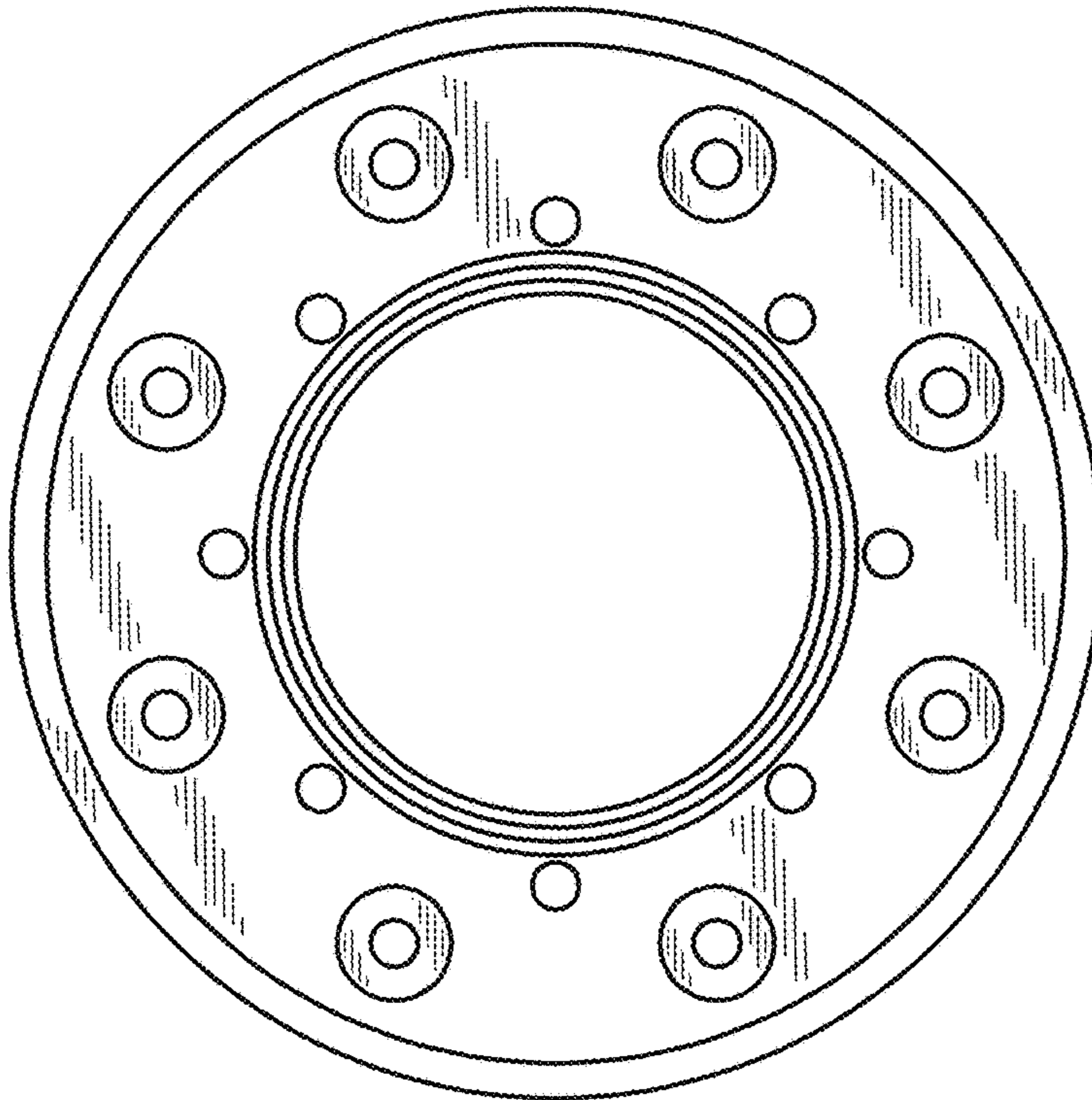


FIG. 23

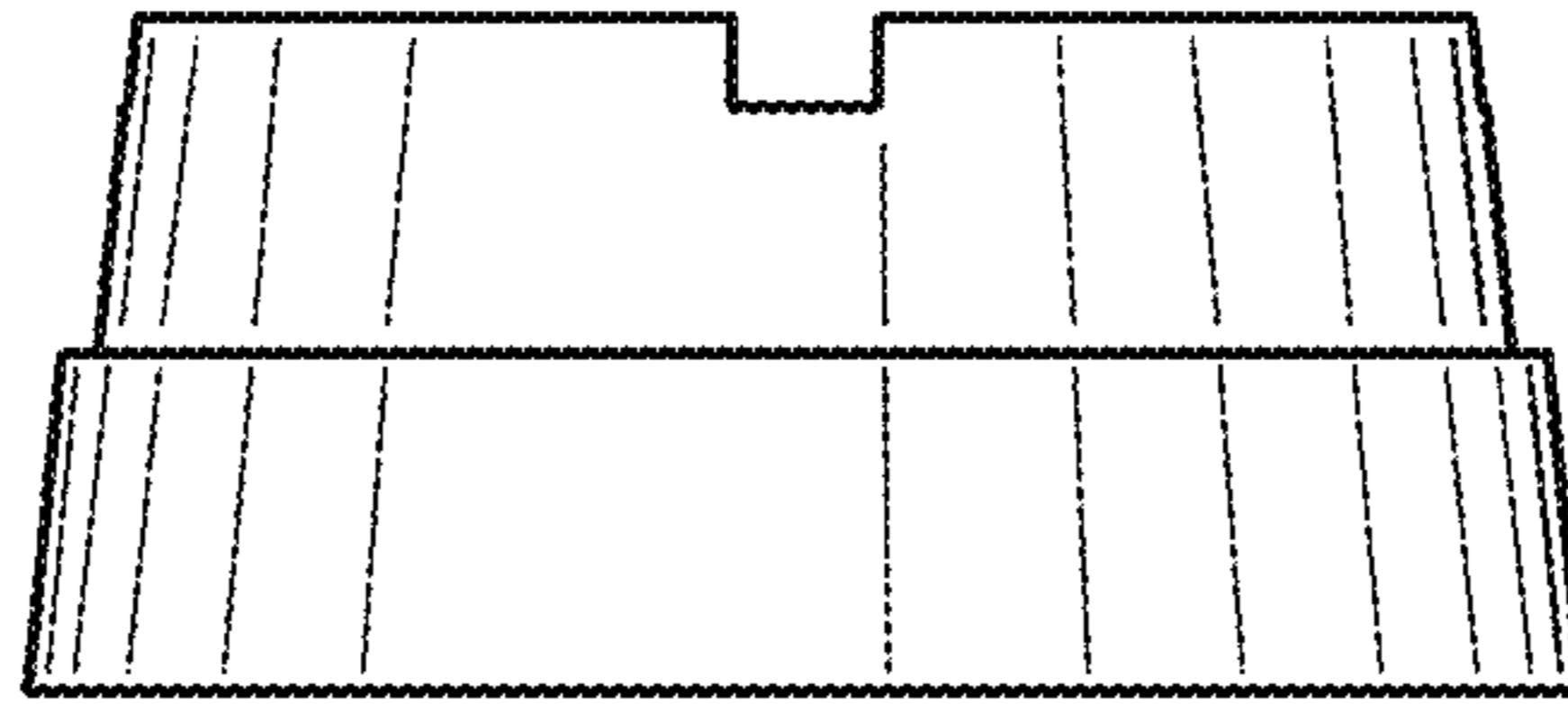


FIG. 24

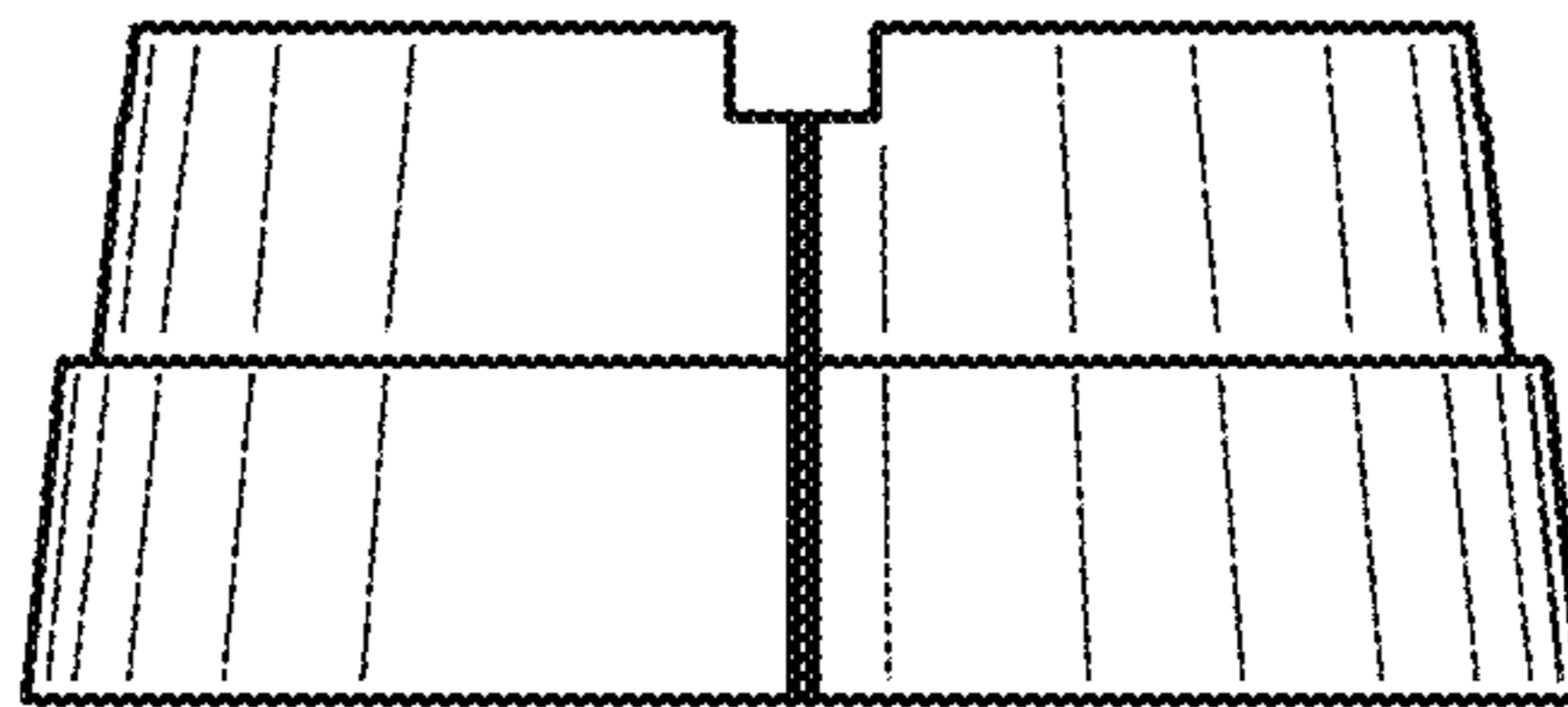


FIG. 25

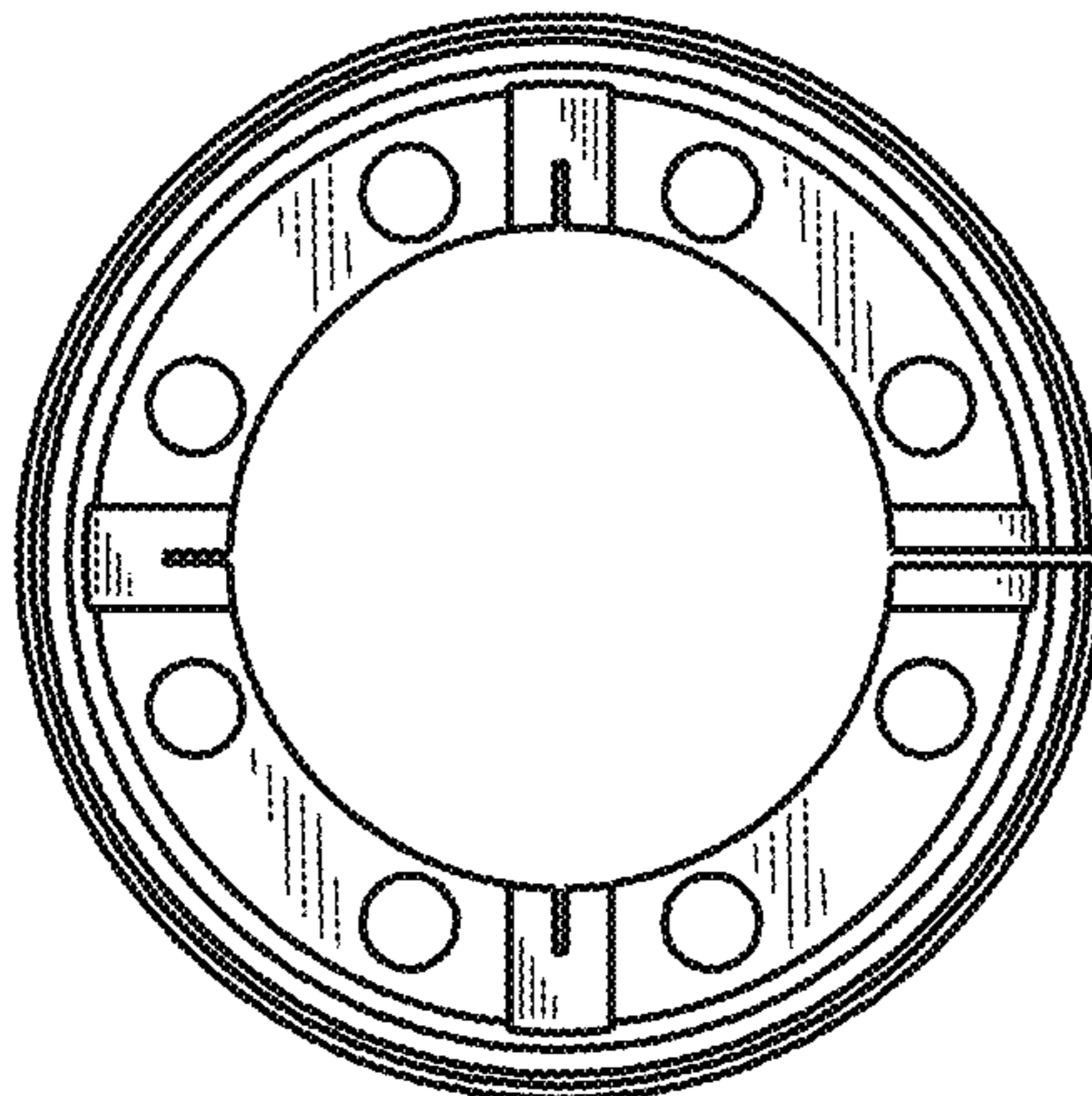


FIG. 26

