



US00D797164S

(12) **United States Design Patent** (10) **Patent No.:** **US D797,164 S**
Jo et al. (45) **Date of Patent:** **** Sep. 12, 2017**

(54) **DIVIDER FOR DRAWER OF REFRIGERATOR**

(71) Applicant: **SAMSUNG ELECTRONICS CO., LTD.**, Suwon-si (KR)
 (72) Inventors: **Yeonjin Jo**, Suwon-si (KR); **Byeongsoo Kim**, Seoul (KR); **Cheolwoong Seo**, Seongnam-si (KR); **Hyunil Lee**, Seoul (KR); **Sangwoon Jeon**, Seoul (KR); **Junhyeok Choi**, Seongnam-si (KR)
 (73) Assignee: **Samsung Electronics Co., Ltd.**, Suwon-si (KR)

(**) Term: **15 Years**

(21) Appl. No.: **29/575,572**

(22) Filed: **Aug. 26, 2016**

(30) **Foreign Application Priority Data**

Mar. 28, 2016 (KR) 30-2016-0014336

(51) **LOC (10) Cl.** **15-07**

(52) **U.S. Cl.**
USPC **D15/89**

(58) **Field of Classification Search**
 USPC D15/79-91
 CPC F25D 25/02; F25D 23/00; F25D 25/024; F25D 2325/022; F25D 23/067; F25D 25/04; F25D 27/00; F25D 2325/021; F25D 2400/22; F25D 25/025; F25D 11/00; F25D 23/04; F25D 11/02; F25D 23/025; F25D 23/12; F25D 2400/40; F25D 25/027; F25D 17/042; F25D 2331/803; F25D 2500/06; F25D 2201/00; F25D 2317/0411; F25D 2323/122; F25D 2327/00; F25D 2331/805; F25D 2331/81; F25D 23/028; F25D 23/062; F25D 23/126; F25D 25/022; F25D 25/028; F25D 2600/02; F25D 29/00; F25D 2317/041; F25D 2317/0416; F25D 2325/00;

(Continued)

(56) **References Cited**

U.S. PATENT DOCUMENTS

D731,562 S * 6/2015 You D15/89
 D743,454 S * 11/2015 Yeo D15/89

(Continued)

Primary Examiner — Ian Simmons
Assistant Examiner — Khawaja Anwar
 (74) *Attorney, Agent, or Firm* — NSIP Law

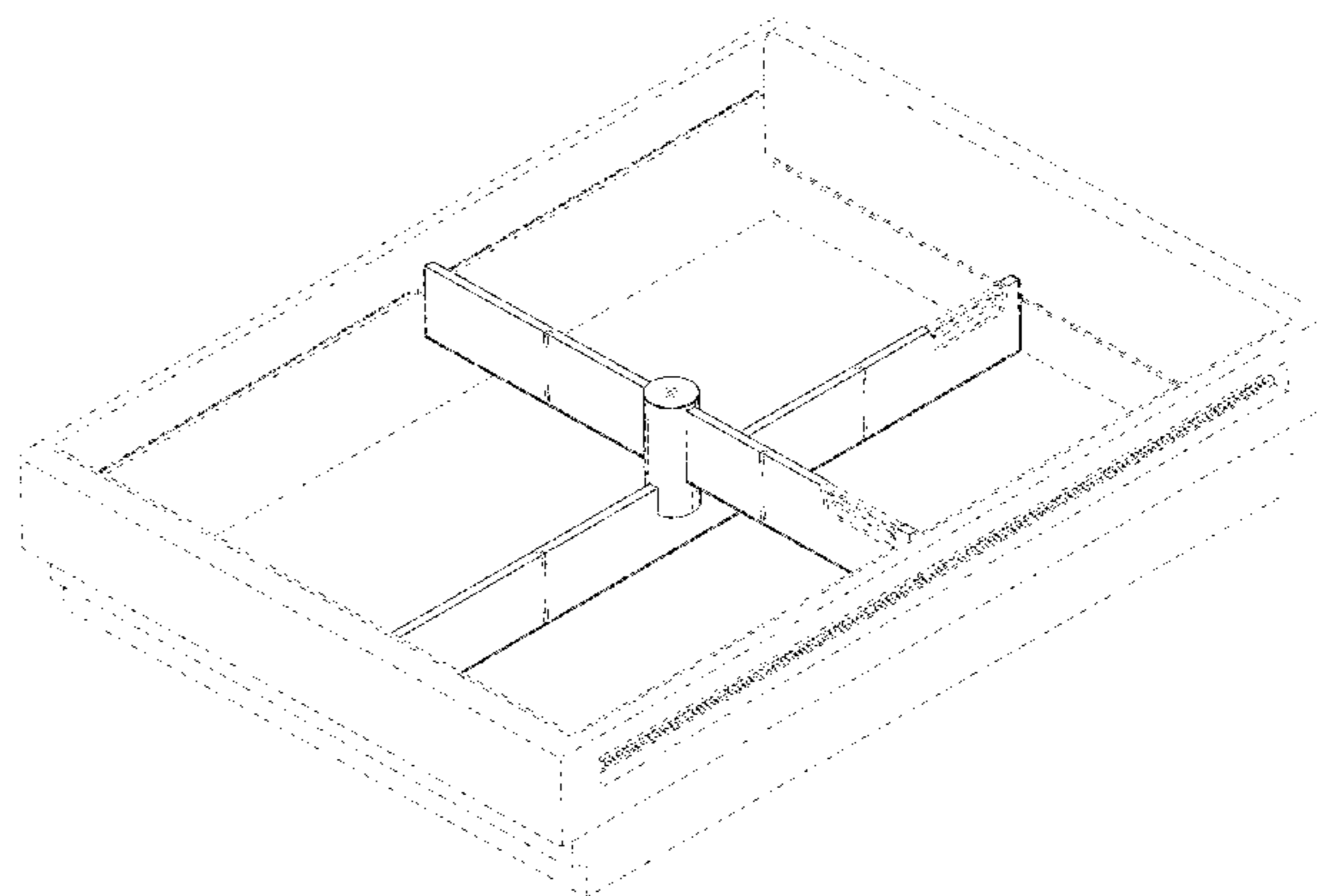
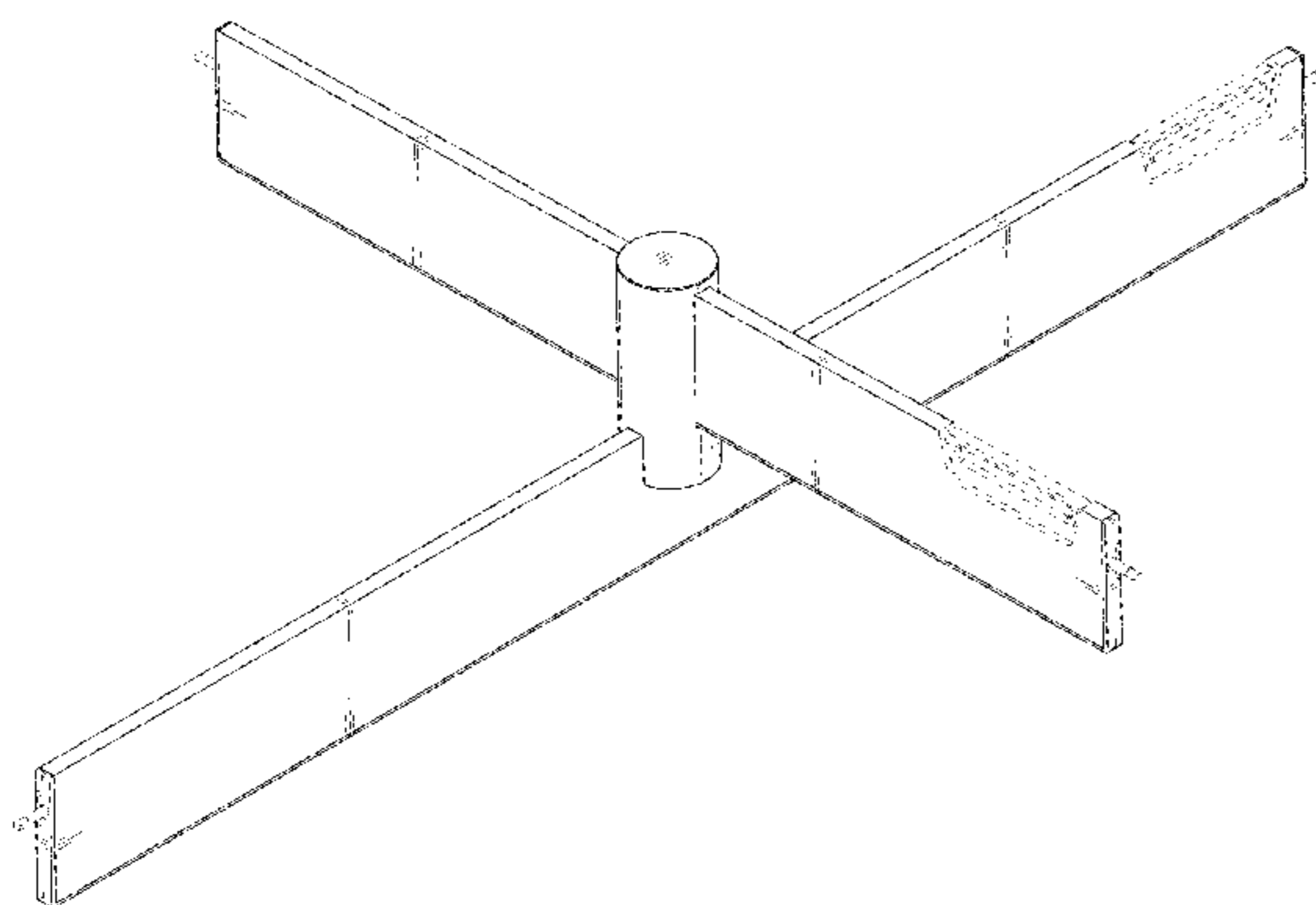
(57) **CLAIM**

We claim the ornamental design for a divider for drawer of refrigerator, as shown and described.

DESCRIPTION

FIG. 1 is a front perspective view of a divider for drawer of refrigerator showing our new design;
 FIG. 2 is a front view thereof;
 FIG. 3 is a rear view thereof;
 FIG. 4 is a left-side view thereof;
 FIG. 5 is a right-side view thereof;
 FIG. 6 is a top view thereof;
 FIG. 7 is a bottom view thereof;
 FIG. 8 is a front perspective view of the divider for drawer of refrigerator in which a drawer is provided in broken lines to illustrate an example environment;
 FIG. 9 is a front perspective view of FIG. 8 in which the divider for drawer of refrigerator is shown in an alternate position;
 FIG. 10 is a front perspective view of FIG. 8 in which the divider for drawer of refrigerator is shown in an alternate position; and,
 FIG. 11 is front perspective view of FIG. 9 in which the divider for drawer of refrigerator is shown in an alternate configuration.
 The broken lines in the figures depict environmental subject matter and form no part of the claimed design.

1 Claim, 11 Drawing Sheets



(58) **Field of Classification Search**

CPC F25D 2327/001; F25D 2331/809; F25D
23/065; F25D 23/069; F25D 23/087;
F25D 2400/36; F25D 2400/361; F25D
2500/02; F25D 25/00; F25D 2600/00;
F25D 2700/123

See application file for complete search history.

(56) **References Cited**

U.S. PATENT DOCUMENTS

D747,749 S * 1/2016 Lee F25D 25/025
D15/89
D747,751 S * 1/2016 Kim F25D 25/025
D15/89
D748,167 S * 1/2016 Lee F25D 25/025
D15/89
D749,654 S * 2/2016 Lee F25D 23/04
D15/89
D768,737 S * 10/2016 Kim D15/89

* cited by examiner

FIG. 1

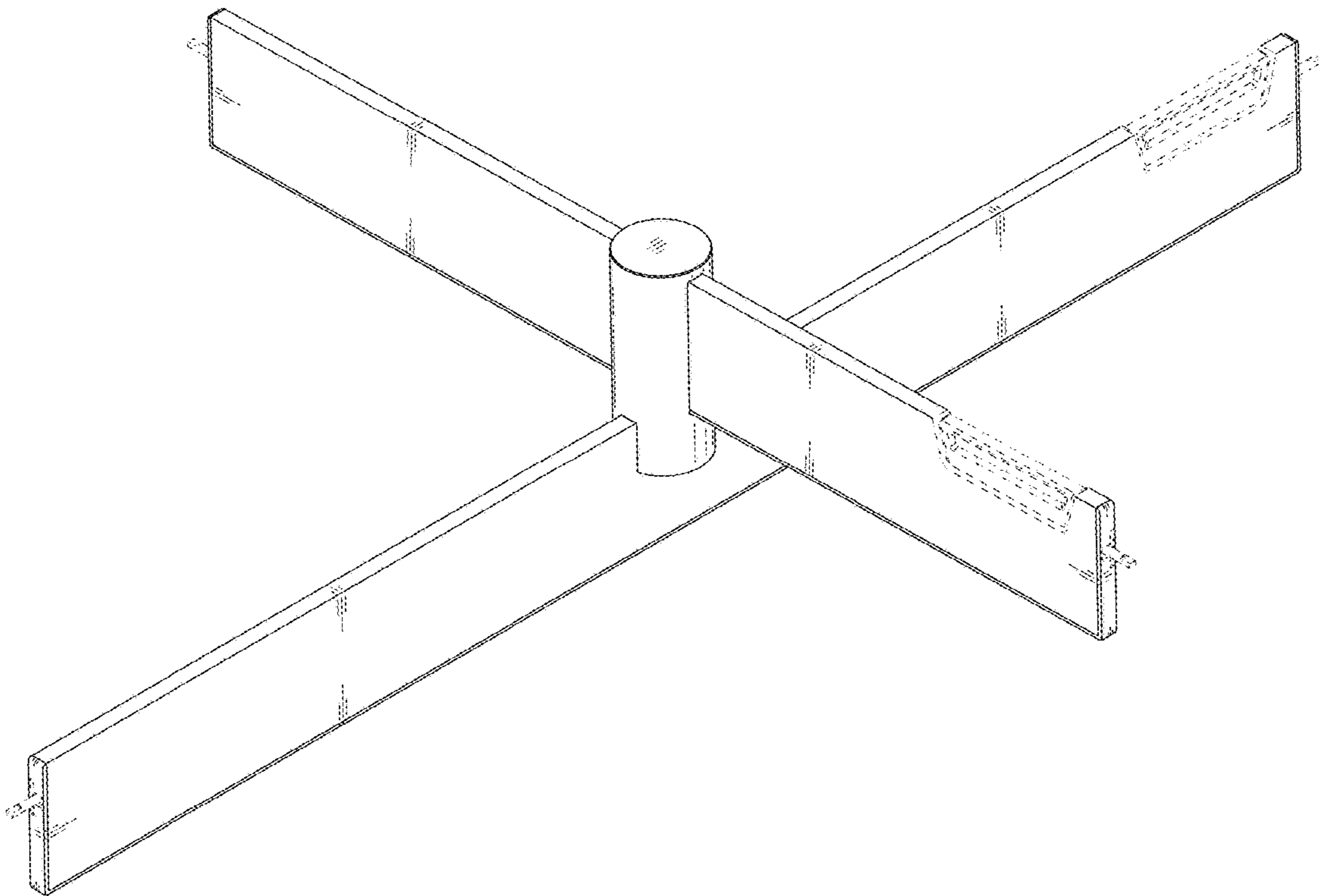


FIG. 2

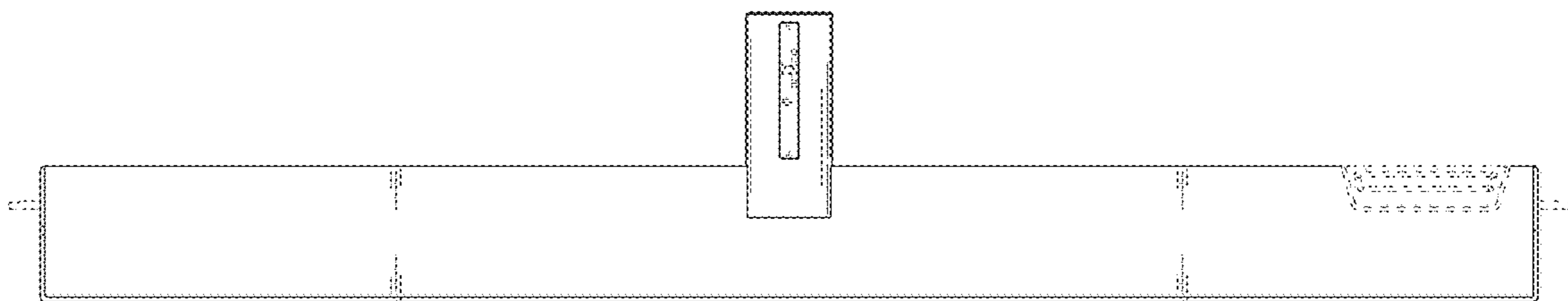


FIG. 3

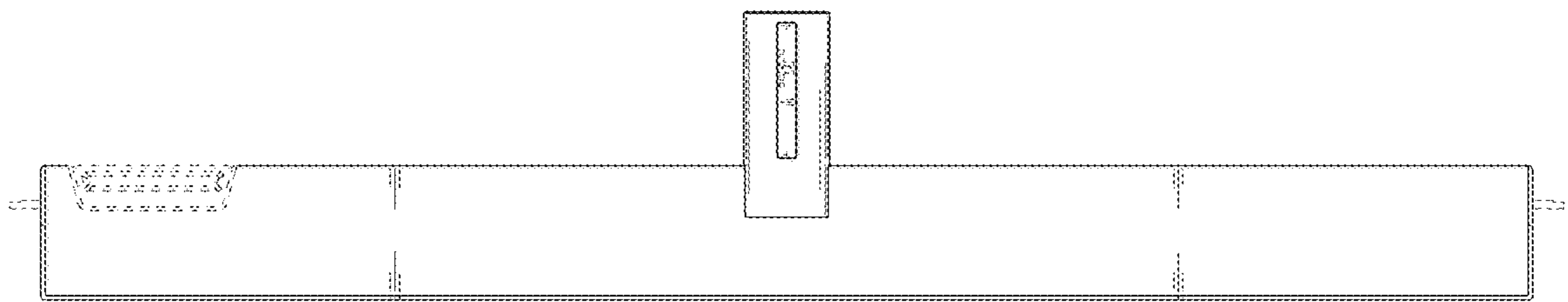


FIG. 4

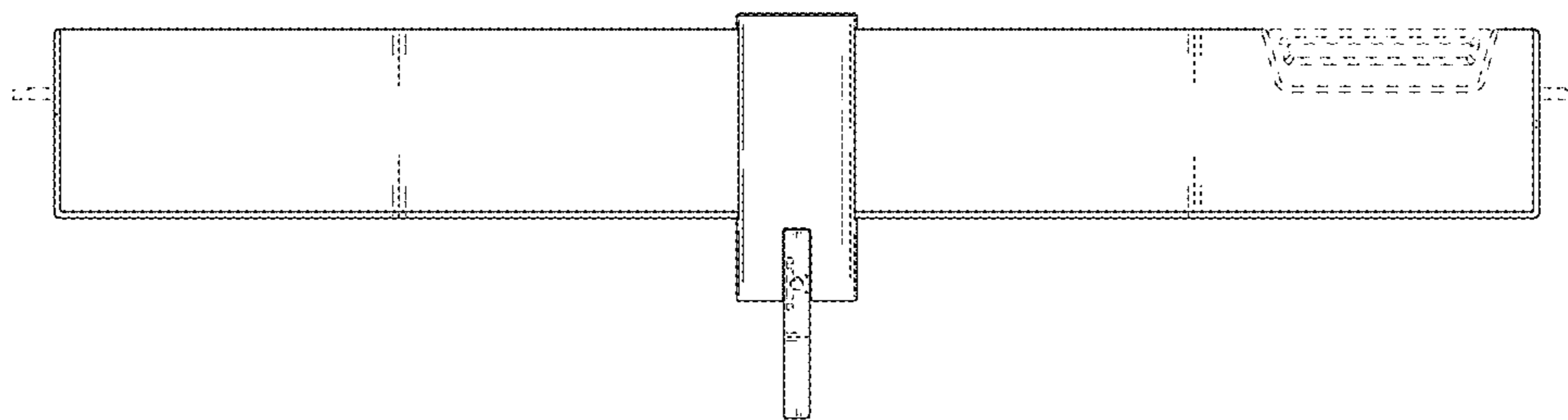


FIG. 5

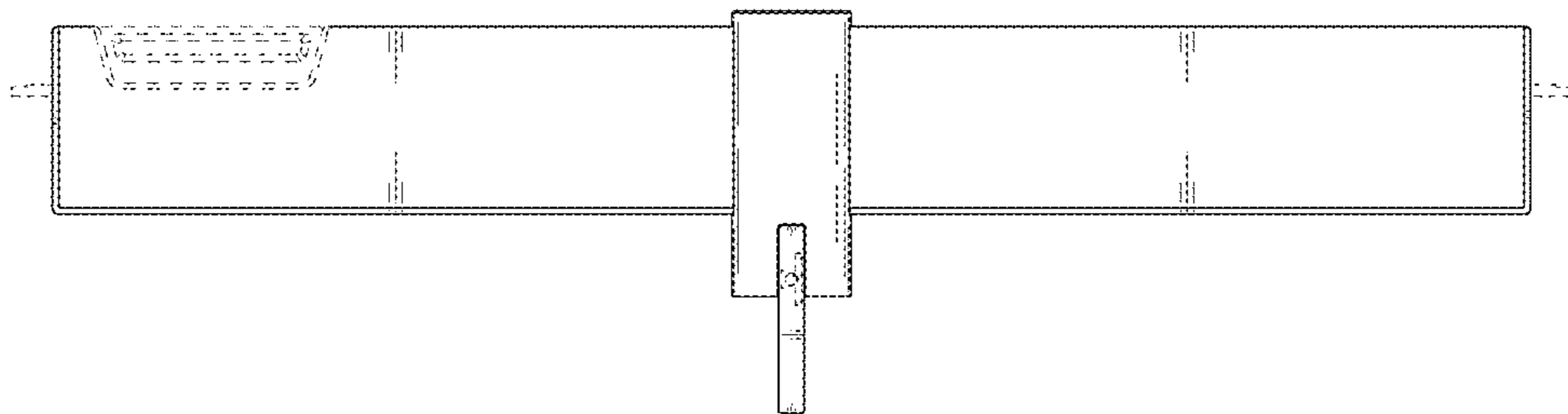


FIG. 6

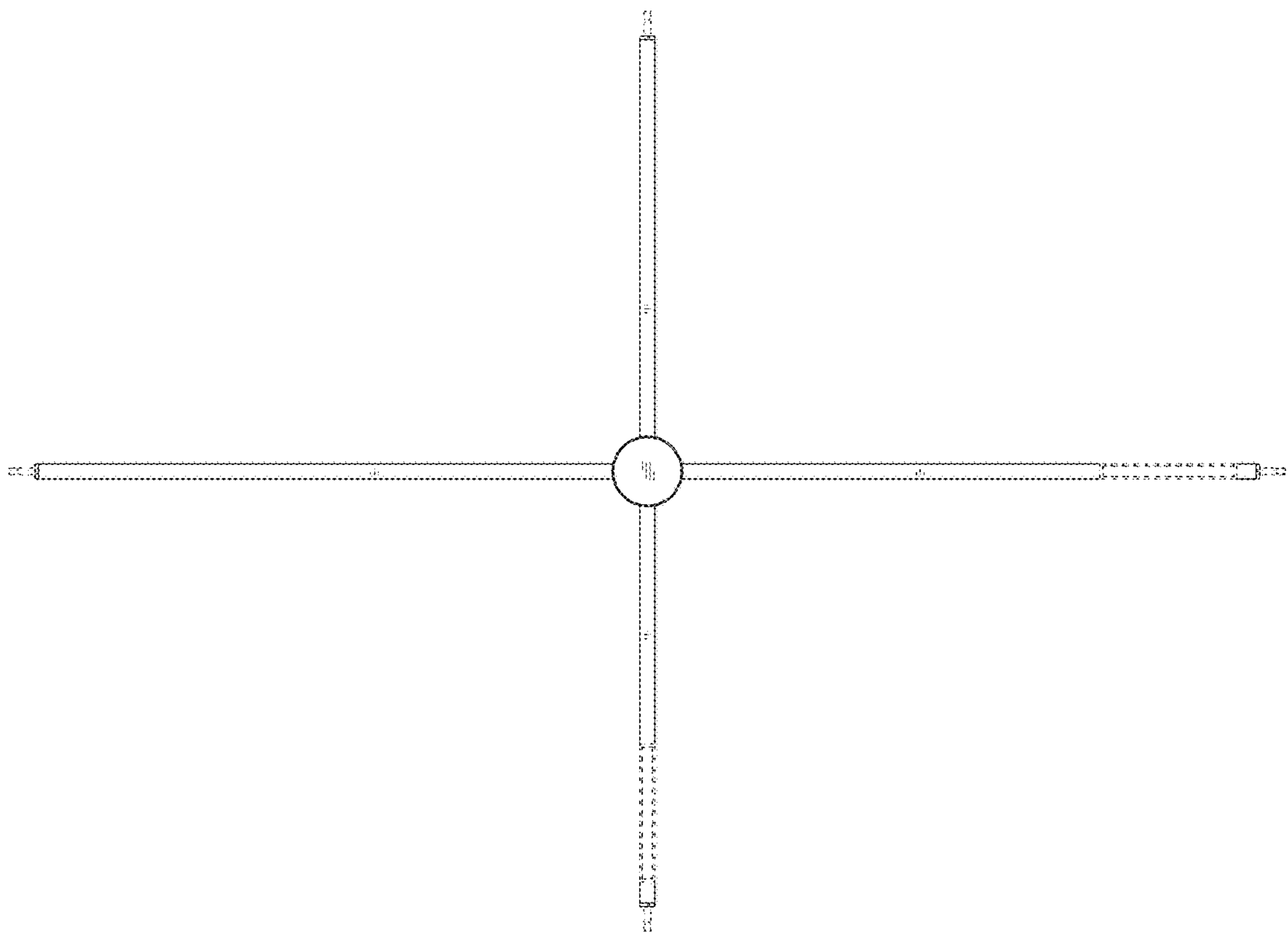


FIG. 7

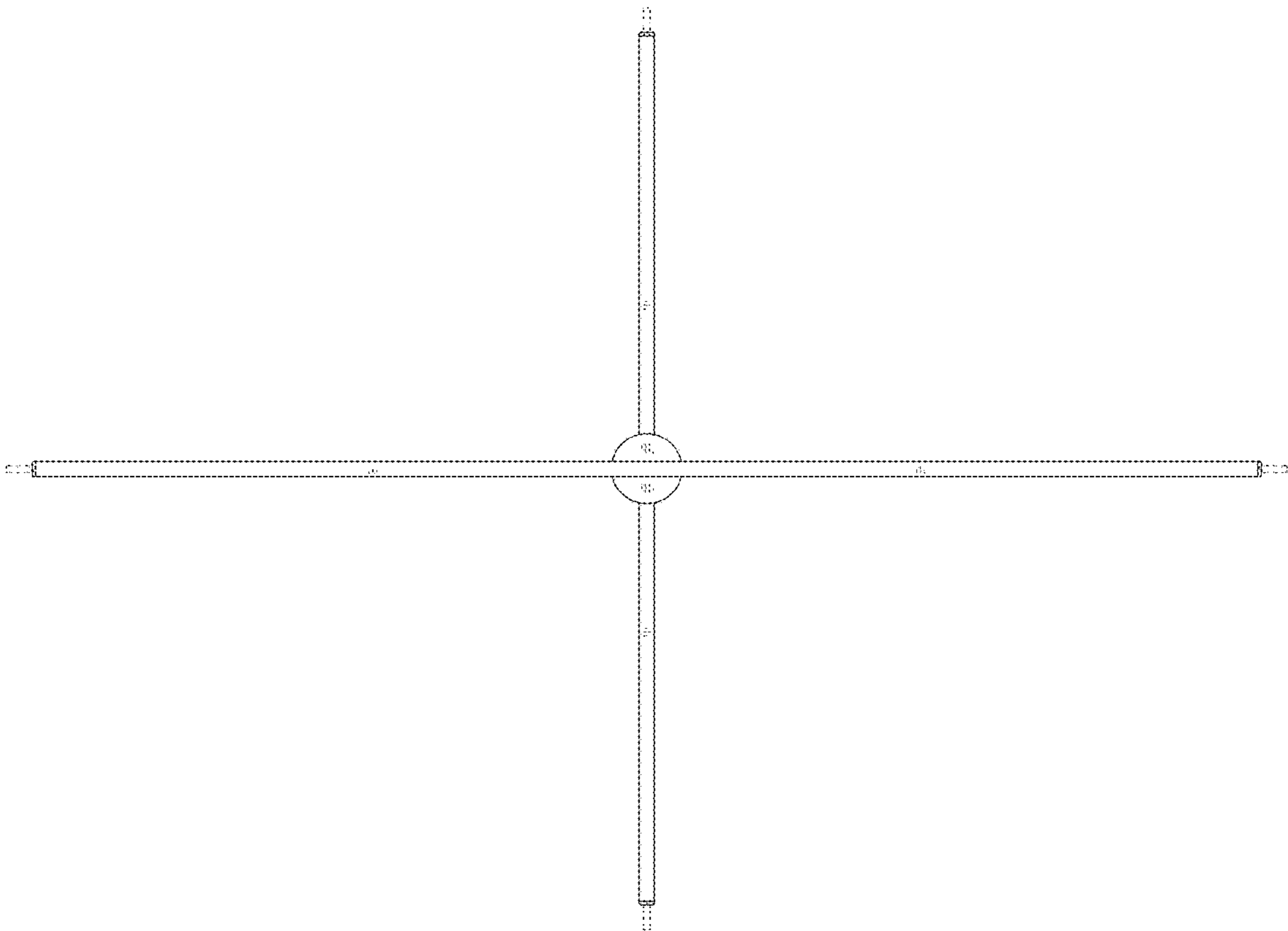


FIG. 8

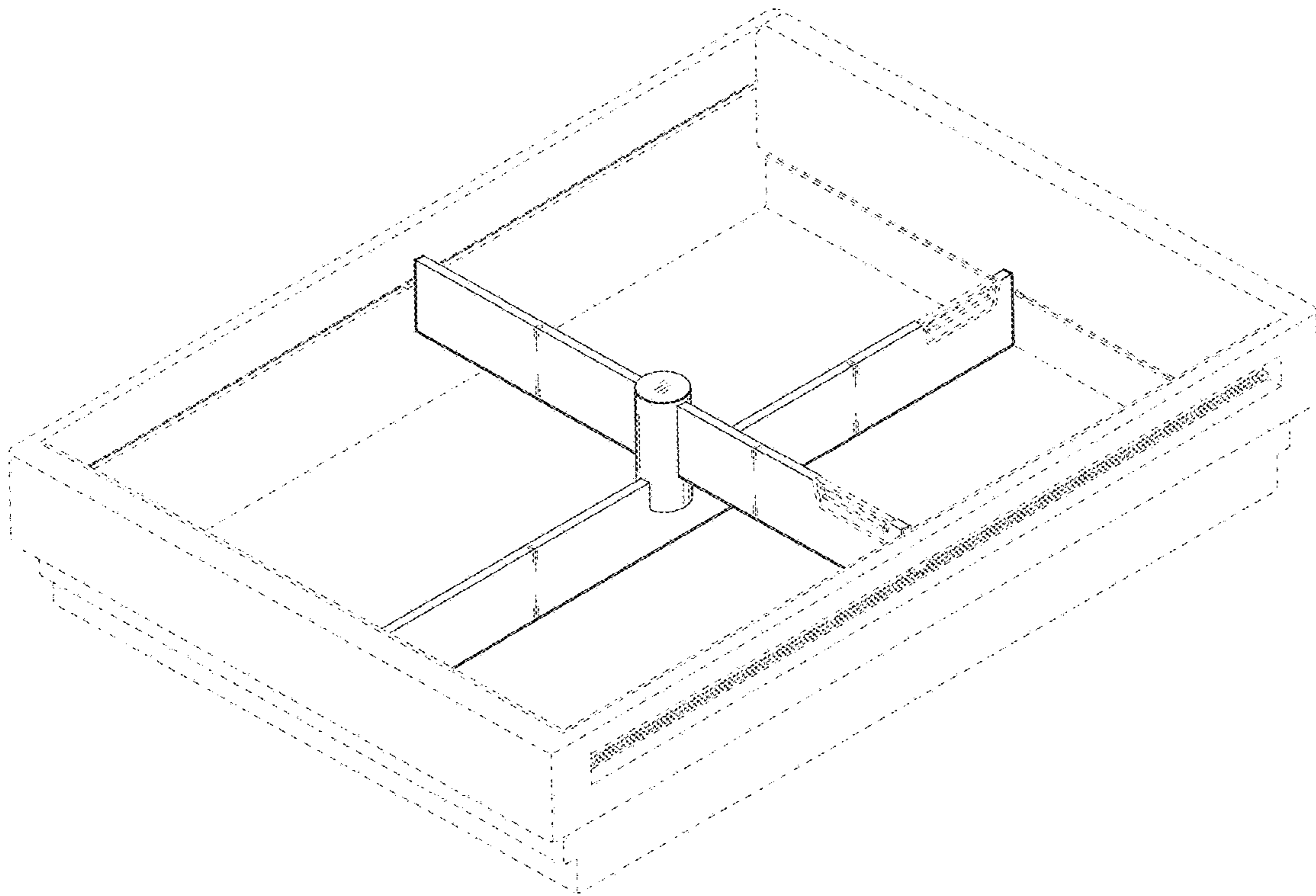


FIG. 9

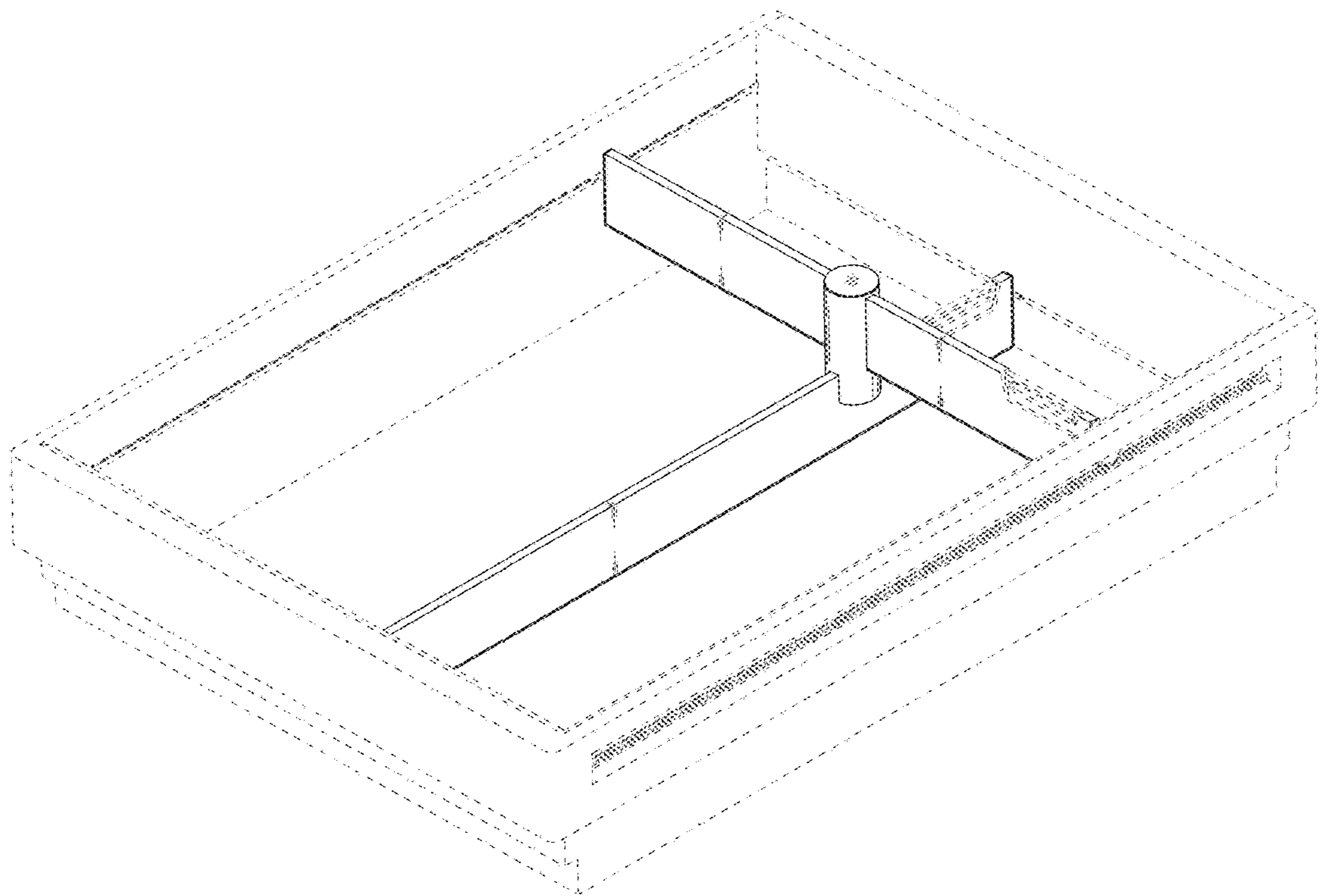


FIG. 10

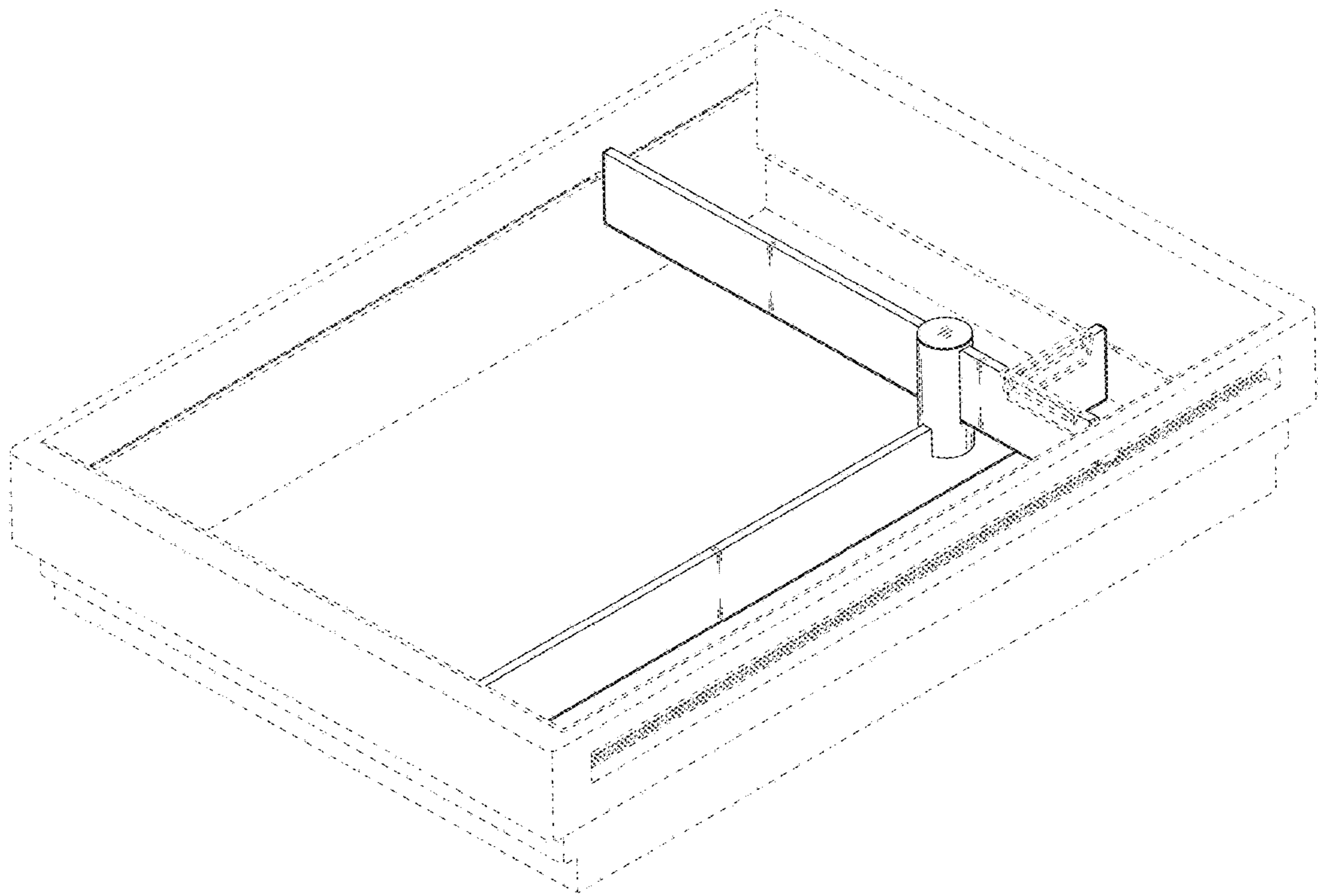


FIG. 11

