



US00D797162S

(12) **United States Design Patent** (10) **Patent No.:** **US D797,162 S**  
**Kunz** (45) **Date of Patent:** **\*\* Sep. 12, 2017**

(54) **LIP FOR GROUND ENGAGING MACHINE IMPLEMENT AND/OR DIGITAL REPRESENTATION THEREOF**

4,481,728 A 11/1984 Mulder et al.  
4,570,365 A 2/1986 Bierwith  
4,980,980 A 1/1991 Schadov et al.  
5,016,365 A \* 5/1991 Robinson ..... E02F 3/40  
37/451  
5,084,990 A 2/1992 Briscoe  
(Continued)

(71) Applicant: **Caterpillar Inc.**, Peoria, IL (US)

(72) Inventor: **Phillip J. Kunz**, Morton, IL (US)

(73) Assignee: **Caterpillar Inc.**, Peoria, IL (US)

(\*\*) Term: **15 Years**

(21) Appl. No.: **29/571,761**

(22) Filed: **Jul. 21, 2016**

(51) **LOC (10) Cl.** ..... **15-03**

(52) **U.S. Cl.**  
USPC ..... **D15/32**; D15/29

(58) **Field of Classification Search**  
USPC ..... D15/28, 29, 32; 403/378, 379.5, 379;  
37/466, 444, 448, 450-459, 446, 447,  
37/449, 195; 172/701.3, 772, 772.5, 753,  
172/713  
CPC ... E02F 3/36; E02F 3/8152; E02F 3/40; E02F  
3/401; E02F 3/60; E02F 3/76; E02F  
3/815; E02F 9/2841; E02F 9/2825; E02F  
9/2858; E02F 9/2883; E02F 9/2833; E02F  
9/2808; E02F 9/2816; E02F 9/00; E02F  
9/285; E02F 9/288; E02F 9/28; E02F  
9/28816; Y10T 16/05; Y10T 403/7079;  
Y10S 37/903  
See application file for complete search history.

(56) **References Cited**

**U.S. PATENT DOCUMENTS**

2,256,488 A 9/1941 Murtaugh  
3,079,710 A 3/1963 Larsen et al.  
3,664,044 A 5/1972 Hahn  
4,047,312 A 9/1977 Stepe  
D246,176 S 10/1977 Dahlberg et al.  
D249,088 S 8/1978 Dahlberg  
4,476,641 A 10/1984 Ballinger

**FOREIGN PATENT DOCUMENTS**

WO WO 2007/016719 A1 2/2007  
WO WO 2013/067585 A1 5/2013

**OTHER PUBLICATIONS**

U.S. Appl. No. 29/524,172, filed Apr. 17, 2015. (Unpublished).  
(Continued)

*Primary Examiner* — Mark Goodwin  
(74) *Attorney, Agent, or Firm* — Saidman Design Law Group

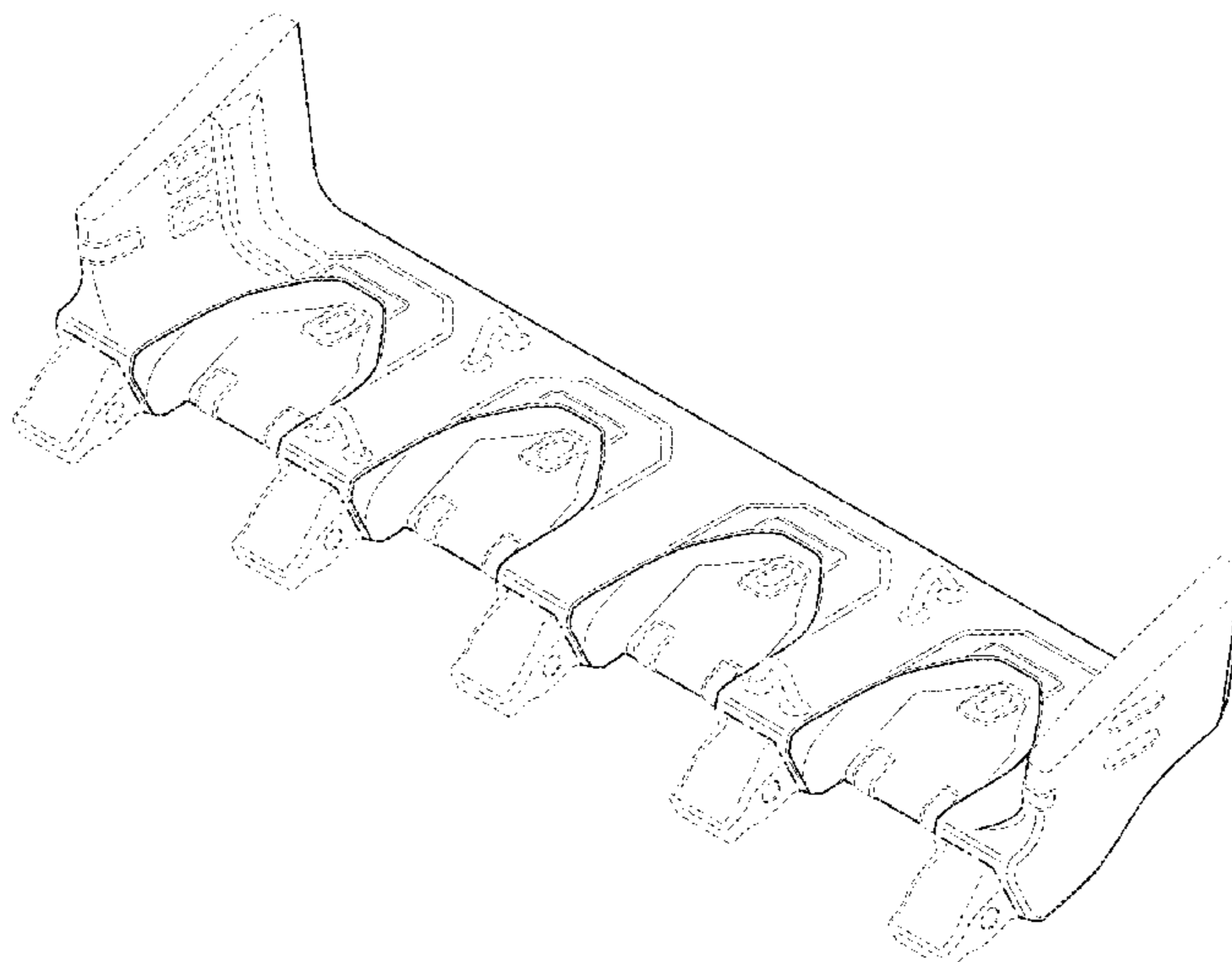
(57) **CLAIM**

The ornamental design for a lip for ground engaging machine implement and/or digital representation thereof, as shown and described.

**DESCRIPTION**

FIG. 1 is a perspective view of a lip for ground engaging machine implement and/or digital representation thereof showing my design;  
FIG. 2 is a front view thereof;  
FIG. 3 is a rear view thereof;  
FIG. 4 is a left side view thereof;  
FIG. 5 is a right side view thereof;  
FIG. 6 is a top view thereof; and,  
FIG. 7 is a bottom view thereof.  
The dashed broken lines illustrate structure or features which form no part of the claimed design.  
The dot-dash broken lines illustrate boundaries which form no part of the claimed design.

**1 Claim, 5 Drawing Sheets**



(56)

References Cited

U.S. PATENT DOCUMENTS

5,088,214 A 2/1992 Jones  
 5,400,530 A 3/1995 Schmidt  
 5,553,409 A 9/1996 Irving  
 6,230,424 B1 5/2001 Renski et al.  
 6,434,865 B2 8/2002 Renski et al.  
 6,457,268 B1\* 10/2002 Perry ..... E02F 3/8152  
 37/403  
 D478,599 S 8/2003 Zaayman et al.  
 6,751,897 B2 6/2004 Bierwith  
 6,952,892 B1 10/2005 Bierwith  
 6,990,760 B1 1/2006 Zaayman et al.  
 D537,846 S 3/2007 Block  
 7,559,162 B2 7/2009 Bierwith  
 D623,671 S 9/2010 Bolyard  
 D631,490 S 1/2011 Drager et al.  
 D678,361 S 3/2013 Attwood et al.  
 8,572,870 B2 11/2013 Kudo et al.  
 D705,275 S 5/2014 Haslett et al.  
 D706,307 S 6/2014 Renski et al.  
 D706,311 S 6/2014 Renski et al.  
 D706,312 S 6/2014 Renski et al.  
 D706,839 S 6/2014 Renski et al.  
 D706,840 S 6/2014 Renski et al.  
 D707,263 S 6/2014 Renski et al.  
 D707,264 S 6/2014 Renski et al.  
 8,925,220 B2\* 1/2015 Stangeland ..... E02F 9/2883  
 37/452  
 8,959,806 B2 2/2015 Zamorano Jones  
 D727,367 S 4/2015 Renski et al.  
 D727,368 S 4/2015 Renski et al.  
 D727,369 S 4/2015 Renski et al.  
 D727,979 S 4/2015 Renski et al.  
 D727,980 S 4/2015 Renski et al.  
 D727,981 S 4/2015 Renski et al.

D727,982 S 4/2015 Renski et al.  
 D728,635 S 5/2015 Kunz  
 D728,636 S\* 5/2015 Kunz ..... D15/28  
 D728,637 S 5/2015 Kunz  
 9,260,839 B2 2/2016 Kunz  
 9,404,240 B2\* 8/2016 Kunz  
 D767,647 S\* 9/2016 Kunz ..... D15/28  
 D769,946 S\* 10/2016 Kunz ..... D15/29  
 9,518,379 B2\* 12/2016 Kunz ..... E02F 9/2891  
 D779,566 S\* 2/2017 Cronk ..... D15/29  
 2003/0093928 A1 5/2003 Bierwith  
 2004/0216335 A1\* 11/2004 Jones ..... E02F 3/8152  
 37/453  
 2005/0241194 A1 11/2005 Bierwith  
 2005/0241195 A1 11/2005 Bierwith  
 2012/0297649 A1 11/2012 Gomar  
 2012/0304508 A1 12/2012 Guimaraes et al.  
 2013/0008062 A1 1/2013 Guimaraes et al.  
 2013/0047475 A1 2/2013 Bierwith  
 2013/0145660 A1 6/2013 Zamorano Jones  
 2013/0185964 A1 7/2013 Anisy et al.  
 2013/0318840 A1 12/2013 Ollinger, IV et al.  
 2014/0082976 A1 3/2014 Vicq et al.  
 2014/0082977 A1 3/2014 Pilon

OTHER PUBLICATIONS

U.S. Appl. No. 29/524,178, filed Apr. 17, 2015. (Unpublished).  
 U.S. Appl. No. 29/524,183, filed Apr. 17 2015. (Unpublished).  
 U.S. Appl. No. 15/215,622, filed Jul. 21, 2016. (Unpublished).  
 U.S. Appl. No. 29/571,775, filed Jul. 21, 2016. (Unpublished).  
 U.S. Appl. No. 62/148,992, filed Apr. 17, 2015. (Unpublished).  
 U.S. Appl. No. 62/149,077, filed Apr. 17, 2015. (Unpublished).  
 U.S. Appl. No. 62/149,161, filed Apr. 17, 2015. (Unpublished).  
 U.S. Appl. No. 62/149,229, filed Apr. 17, 2015. (Unpublished).

\* cited by examiner

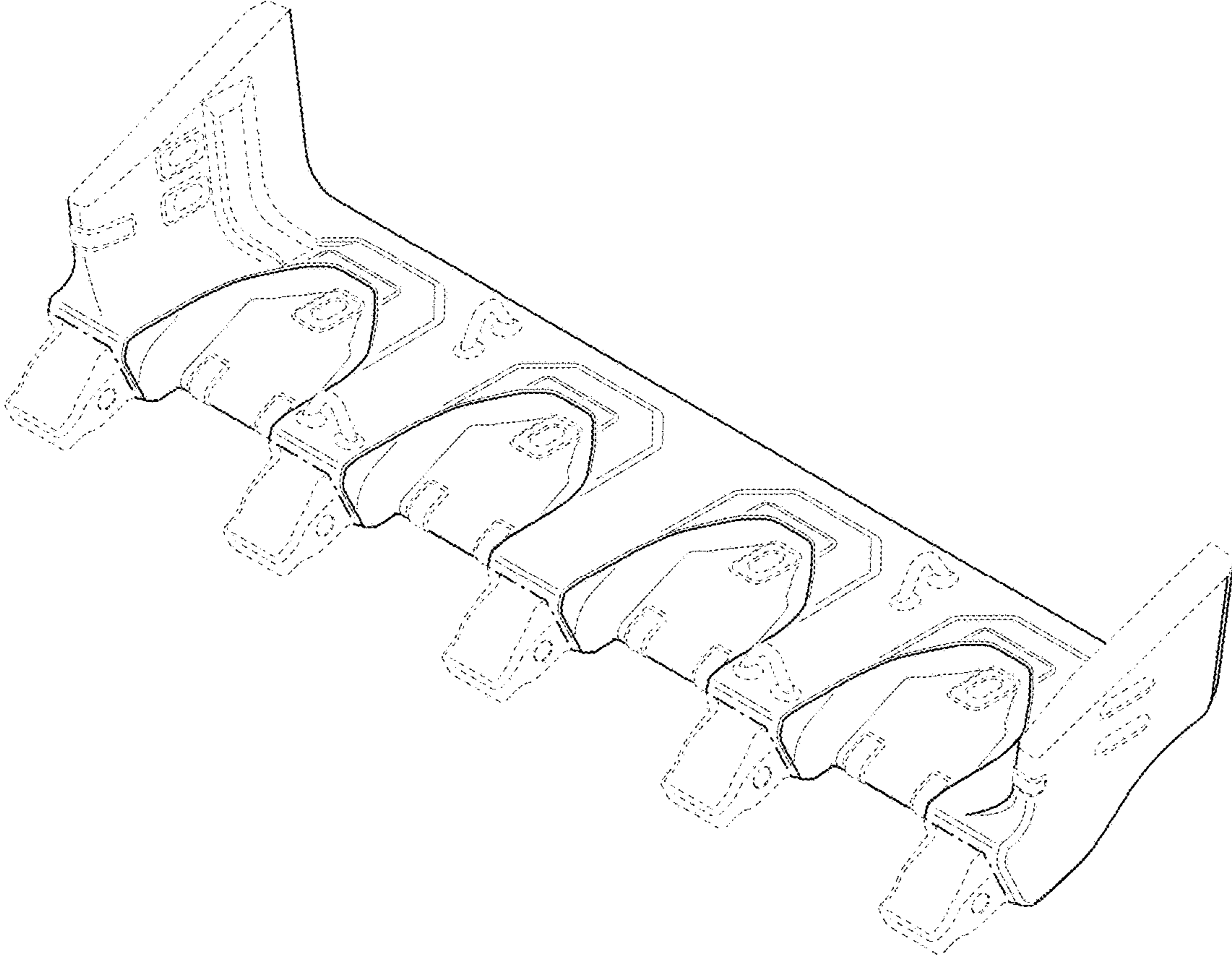


FIG. 1

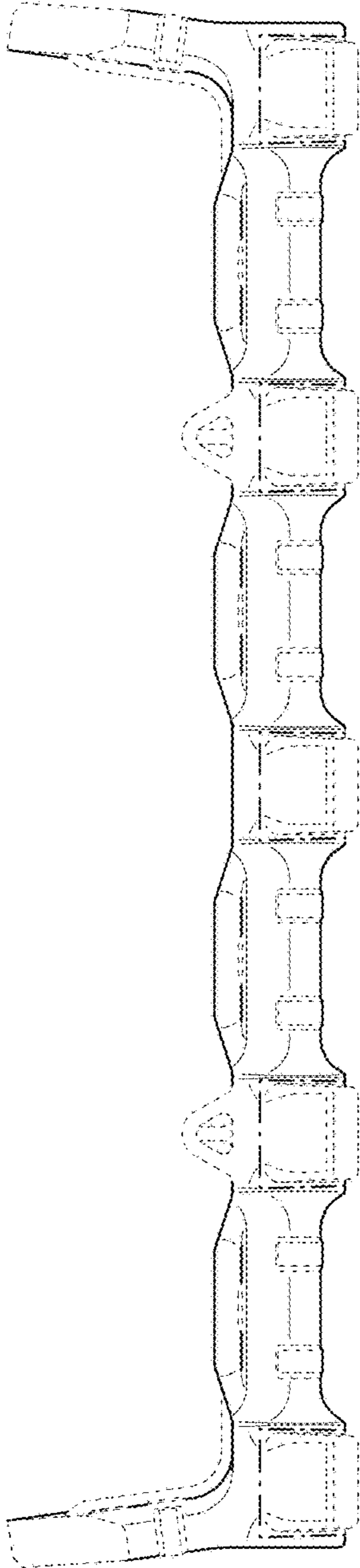


FIG. 2

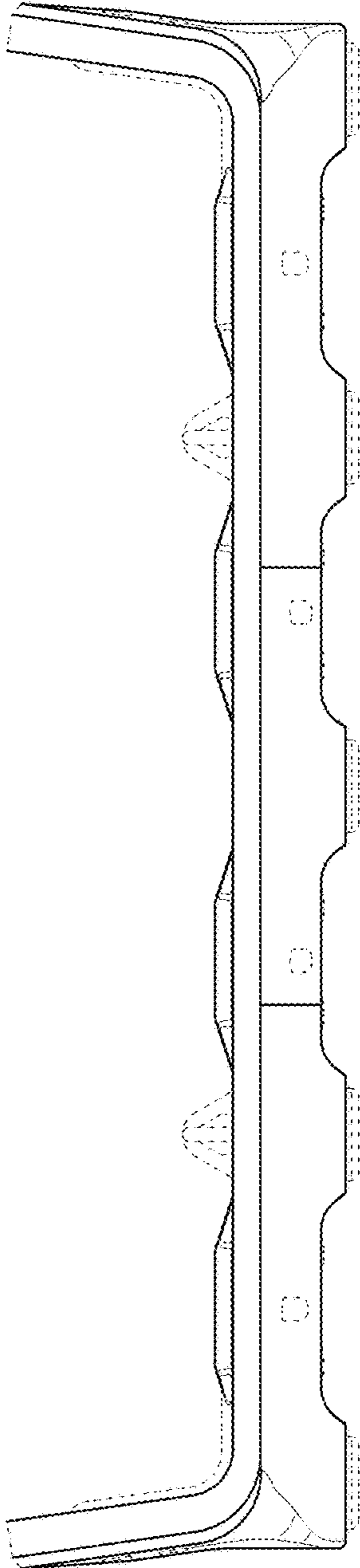


FIG. 3

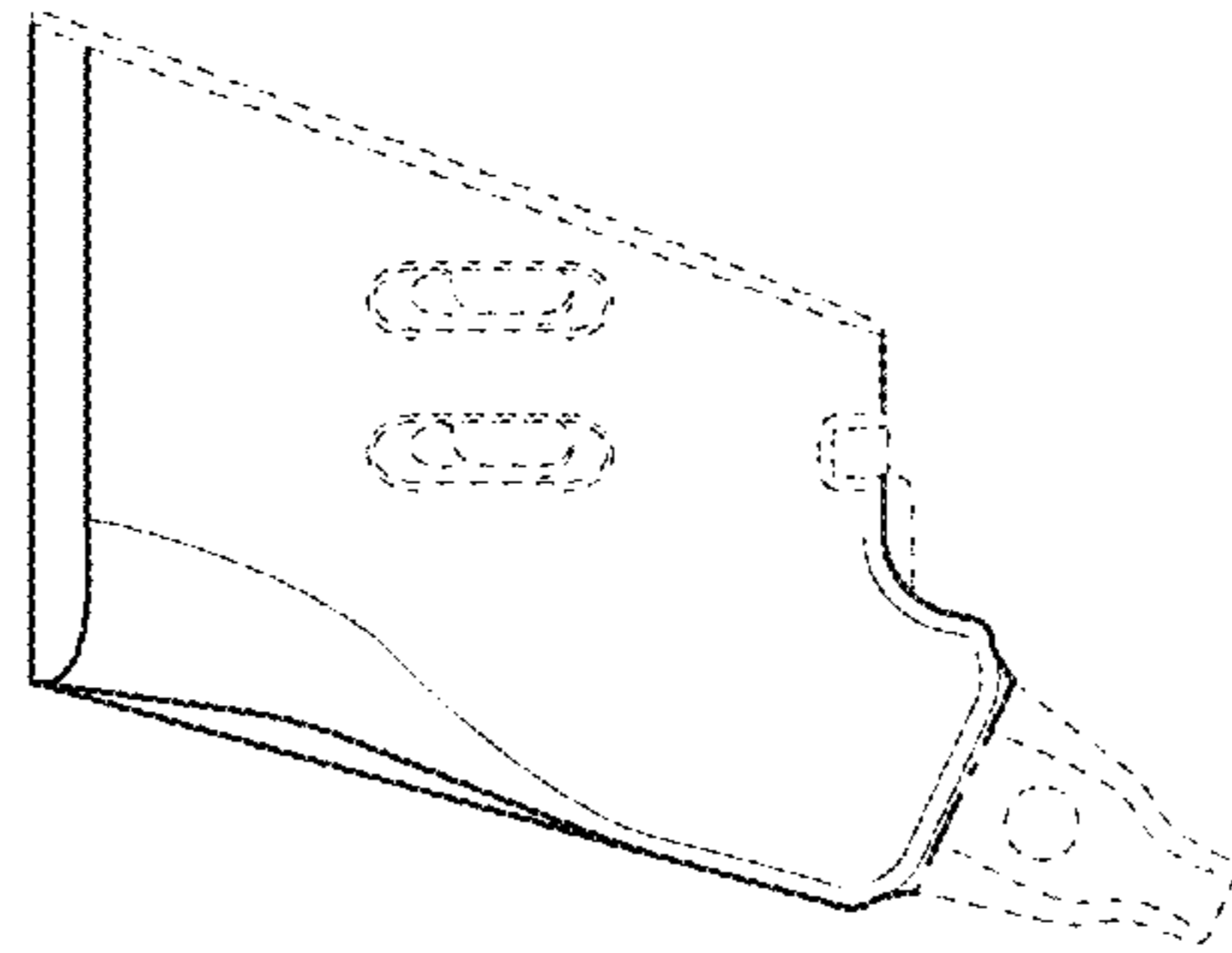


FIG. 4

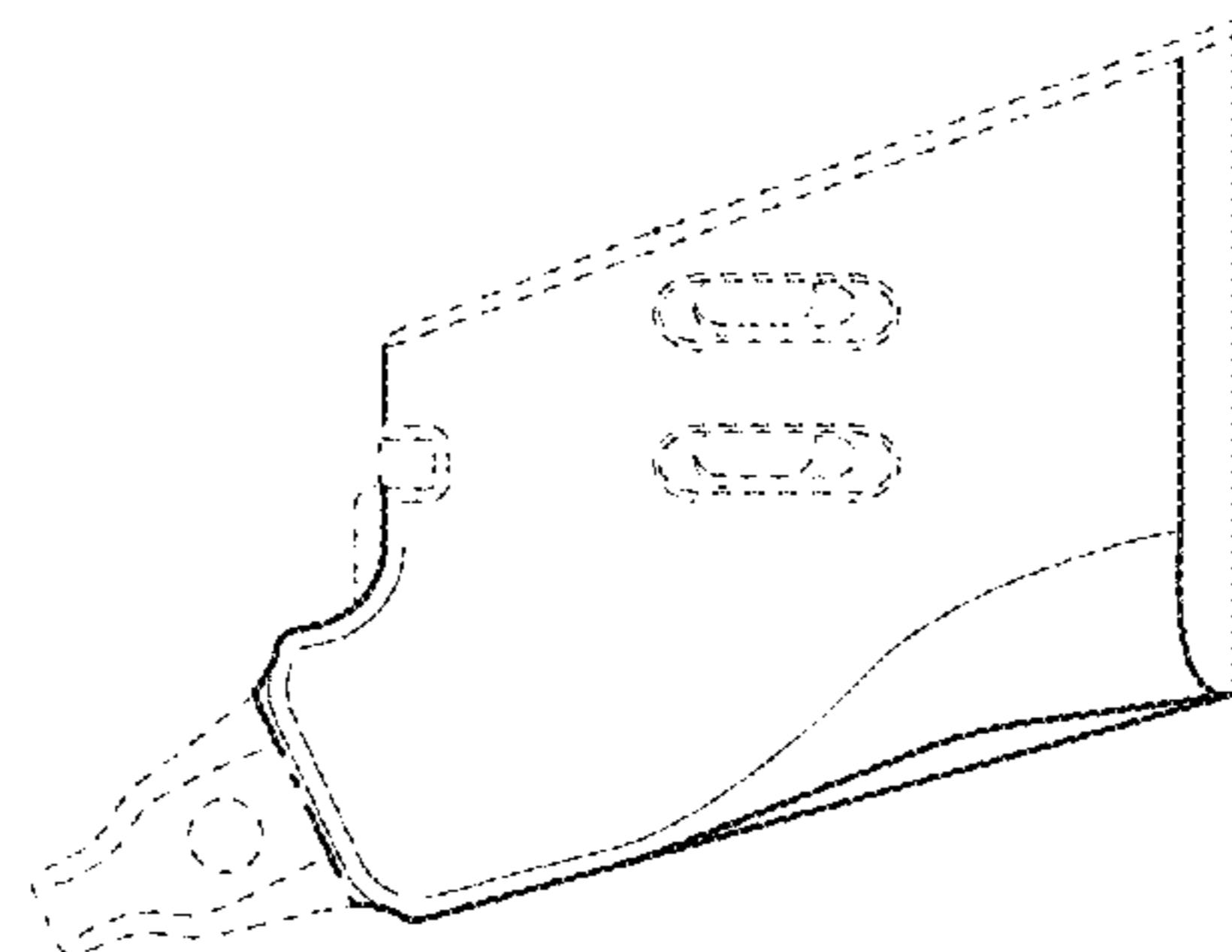


FIG. 5

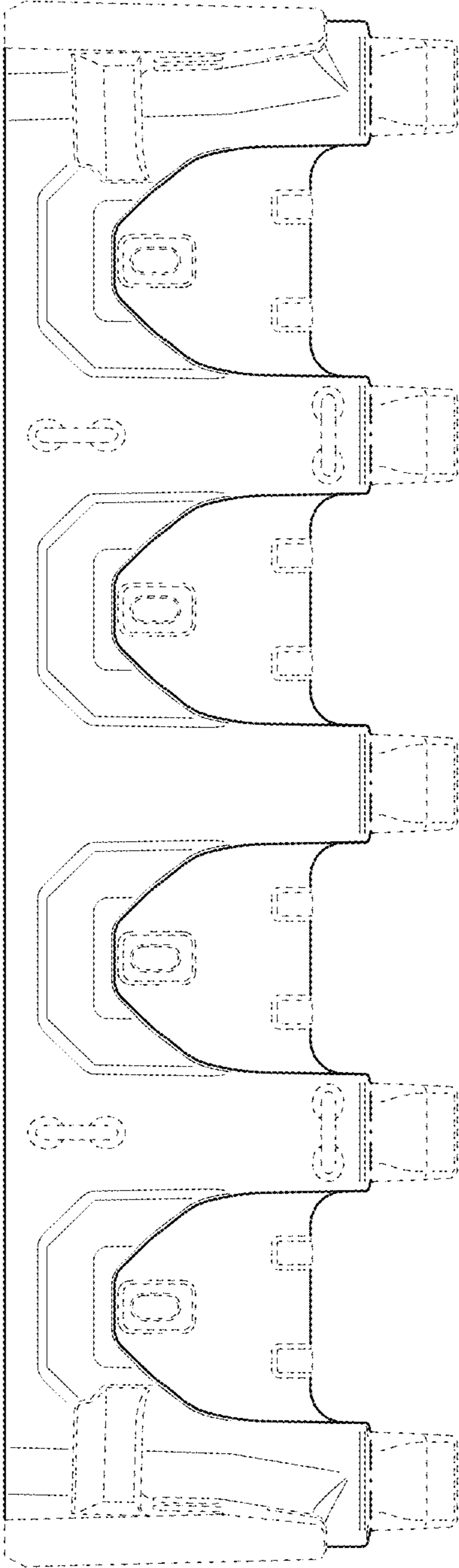


FIG. 6

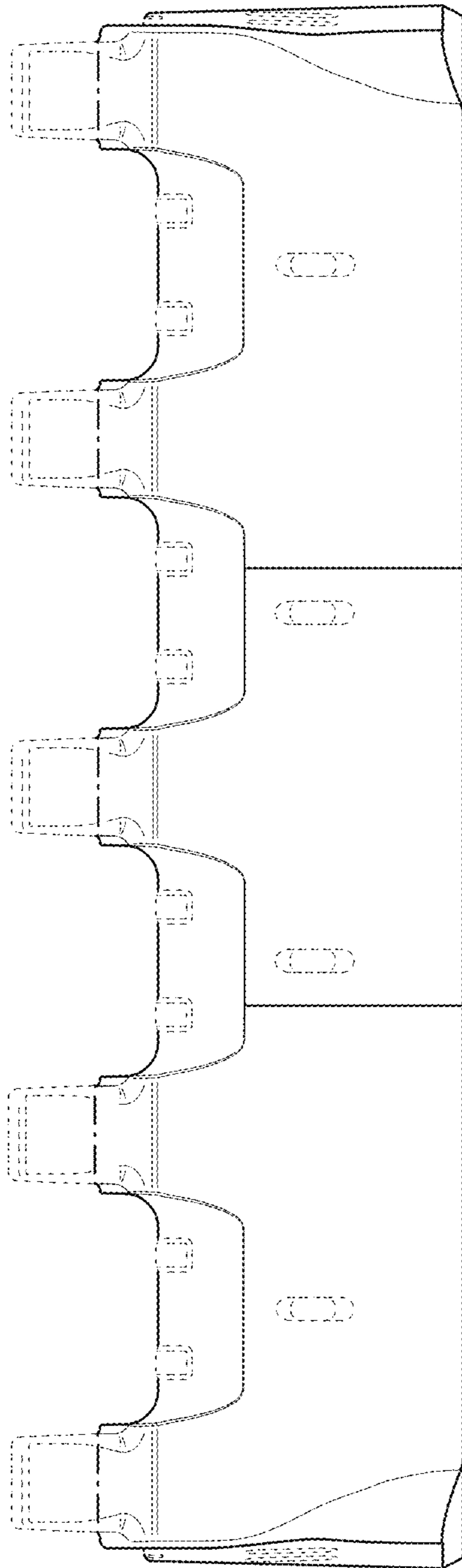


FIG. 7