



US00D797160S

(12) **United States Design Patent** (10) **Patent No.:** **US D797,160 S**
Yeu et al. (45) **Date of Patent:** **** Sep. 12, 2017**

(54) **EXCAVATOR**

(71) Applicant: **Clark Equipment Company**, West Fargo, ND (US)

(72) Inventors: **Jin-hup Yeu**, Seongnam (KR); **Hyun-joong Kim**, Seoul (KR); **Brandon D. Levenson**, Bismarck, ND (US); **Jeremy A. Harms**, Bismarck, ND (US)

(73) Assignee: **Clark Equipment Company**, West Fargo, ND (US)

(**) Term: **15 Years**

(21) Appl. No.: **29/583,015**

(22) Filed: **Nov. 1, 2016**

(51) **LOC (10) Cl.** **15-03**

(52) **U.S. Cl.**
USPC **D15/30; D15/33**

(58) **Field of Classification Search**
USPC D15/10, 22-26, 28, 30, 31, 33; 180/89.1, 180/89.12, 89.13, 900, 9.1, 9.2, 9.62; 414/694, 699, 722-724, 660, 685, 698, 414/719, 743; 37/379
CPC . E02F 9/163; E02F 9/0886; E02F 9/18; E02F 3/32; E02F 3/76; E02F 3/40; F01N 13/001; F01N 2590/08
See application file for complete search history.

(56) **References Cited**

U.S. PATENT DOCUMENTS

D432,144 S	*	10/2000	Kraft	D15/25
D433,689 S	*	11/2000	Kraft	D15/25
D487,100 S	*	2/2004	Tokach	D15/30
D487,575 S	*	3/2004	Wetzel	D15/33
D494,986 S	*	8/2004	Tokach	D15/30
D506,211 S	*	6/2005	Kuwae	D15/33

D518,071 S	*	3/2006	Gwak	D15/24
D591,773 S	*	5/2009	Ueta	D15/22
D593,137 S	*	5/2009	Ueta	D15/28
D607,904 S	*	1/2010	Reisenauer	D15/30
D607,905 S	*	1/2010	Reisenauer	D15/30
D607,906 S	*	1/2010	Reisenauer	D15/33
D634,605 S	*	3/2011	Guimaraes	D15/28
D684,598 S	*	6/2013	Hagura	D15/24
D684,599 S	*	6/2013	Saito	D15/24
D685,394 S	*	7/2013	Nagata	D15/24
D692,924 S	*	11/2013	Hatanaka	D15/24
D695,791 S	*	12/2013	Hagura	D15/25
D707,261 S	*	6/2014	Caboret	D15/24
D715,330 S	*	10/2014	Hutchinson	D15/22
D717,346 S	*	11/2014	Ishii	D15/28
D725,683 S	*	3/2015	Payne	D15/31
D735,771 S	*	8/2015	Imashige	D15/28
D738,403 S	*	9/2015	Imashige	D15/22
D750,673 S	*	3/2016	Imashige	D15/28
D768,209 S	*	10/2016	Jilbert	D15/28
D772,308 S	*	11/2016	Harms	D15/28

(Continued)

Primary Examiner — Mark Goodwin
(74) *Attorney, Agent, or Firm* — John D. Veldhuis-Kroeze; Westman, Champlin & Koehler, P.A.

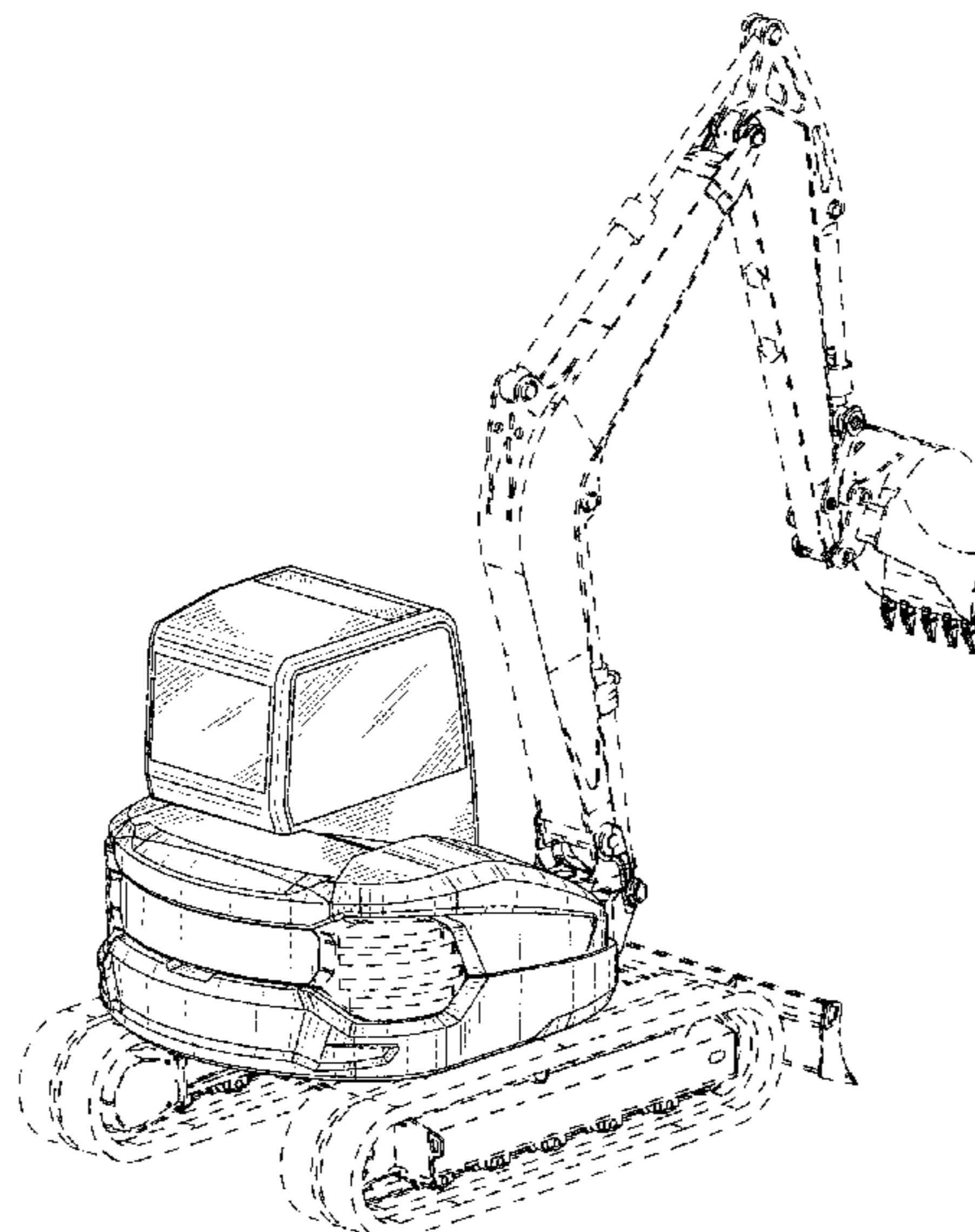
(57) **CLAIM**

The ornamental design for an excavator, as shown and described.

DESCRIPTION

FIG. 1 is a perspective view of the excavator showing our new design;
FIG. 2 is a right side view thereof;
FIG. 3 is a left side view thereof;
FIG. 4 is a front view thereof;
FIG. 5 is a back view of thereof; and,
FIG. 6 is a top view thereof.
The broken lines shown in the drawings are included for purposes of illustrating portions of the excavator and form no part of the claimed design.

1 Claim, 6 Drawing Sheets



(56)

References Cited

U.S. PATENT DOCUMENTS

D772,954 S	*	11/2016	Harms	D15/28
D772,955 S	*	11/2016	Harms	D15/28
D772,956 S	*	11/2016	Harms	D15/28
D773,536 S	*	12/2016	Fiser	D15/28
D773,537 S	*	12/2016	Fiser	D15/30
D774,105 S	*	12/2016	Jilbert	D15/28
D774,107 S	*	12/2016	Fiser	D15/28
D774,112 S	*	12/2016	Fiser	D15/30
D776,724 S	*	1/2017	Harms	D15/30
D776,725 S	*	1/2017	Harms	D15/30
D777,218 S	*	1/2017	Harms	D15/30

* cited by examiner

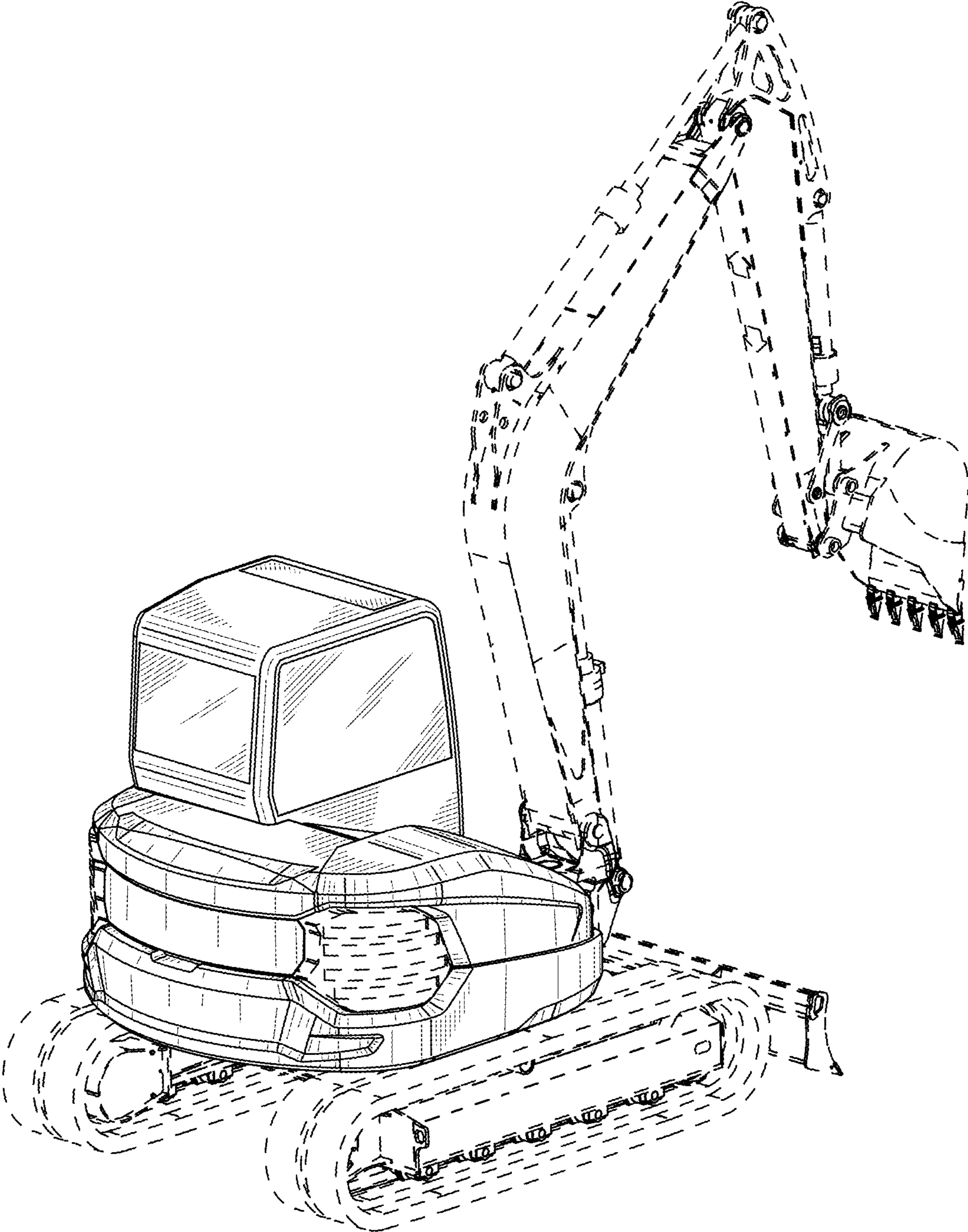


FIG. 1

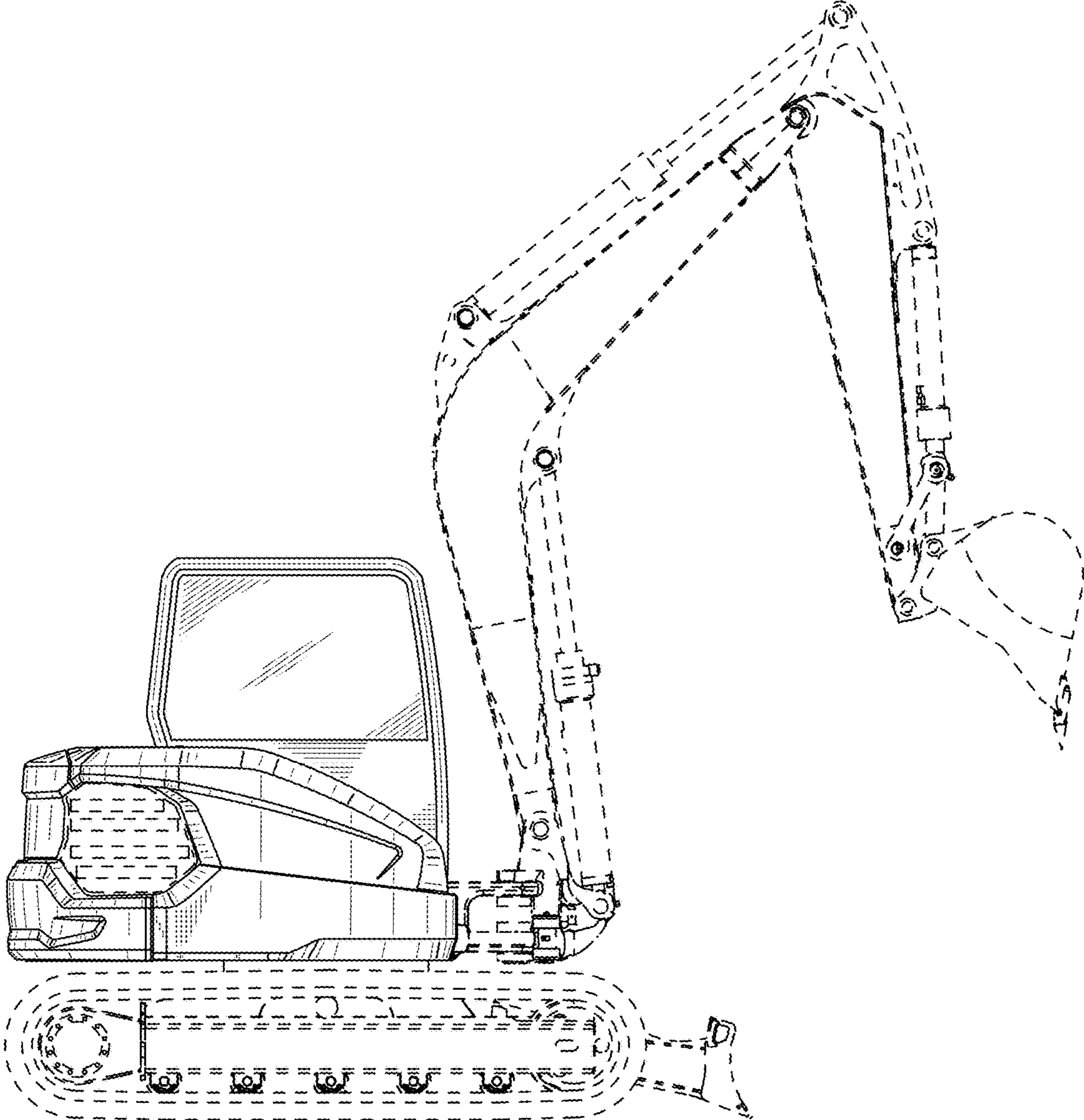


FIG. 2

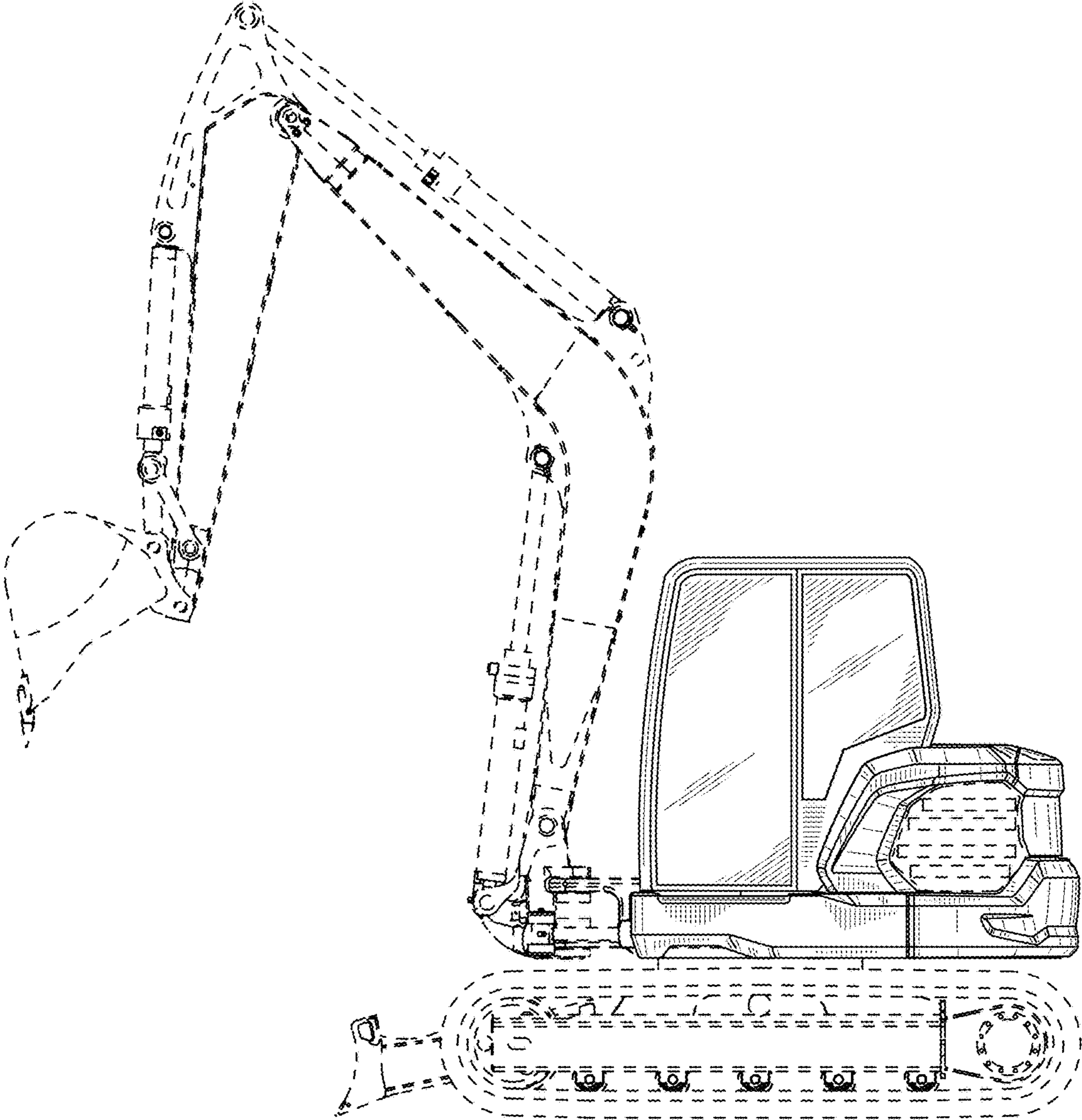


FIG. 3

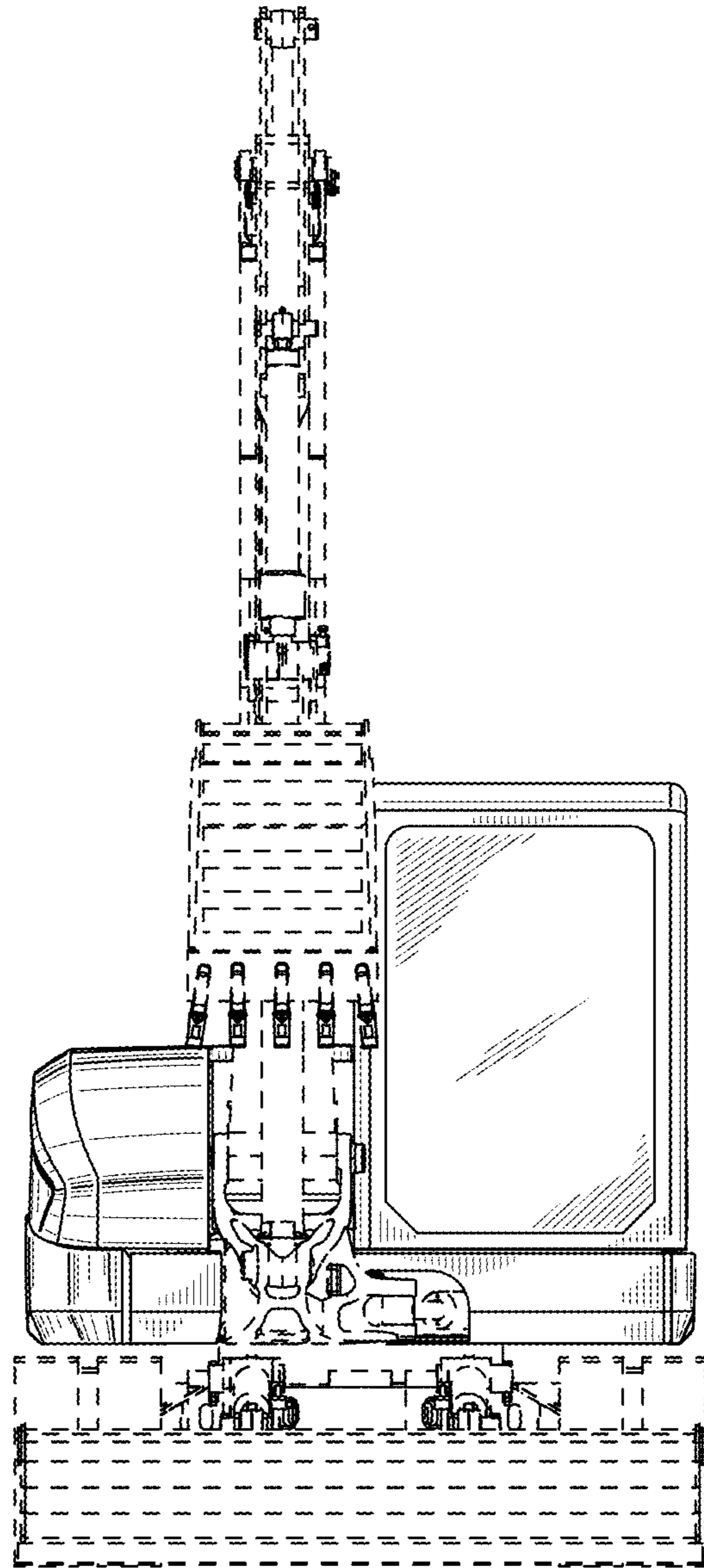


FIG. 4

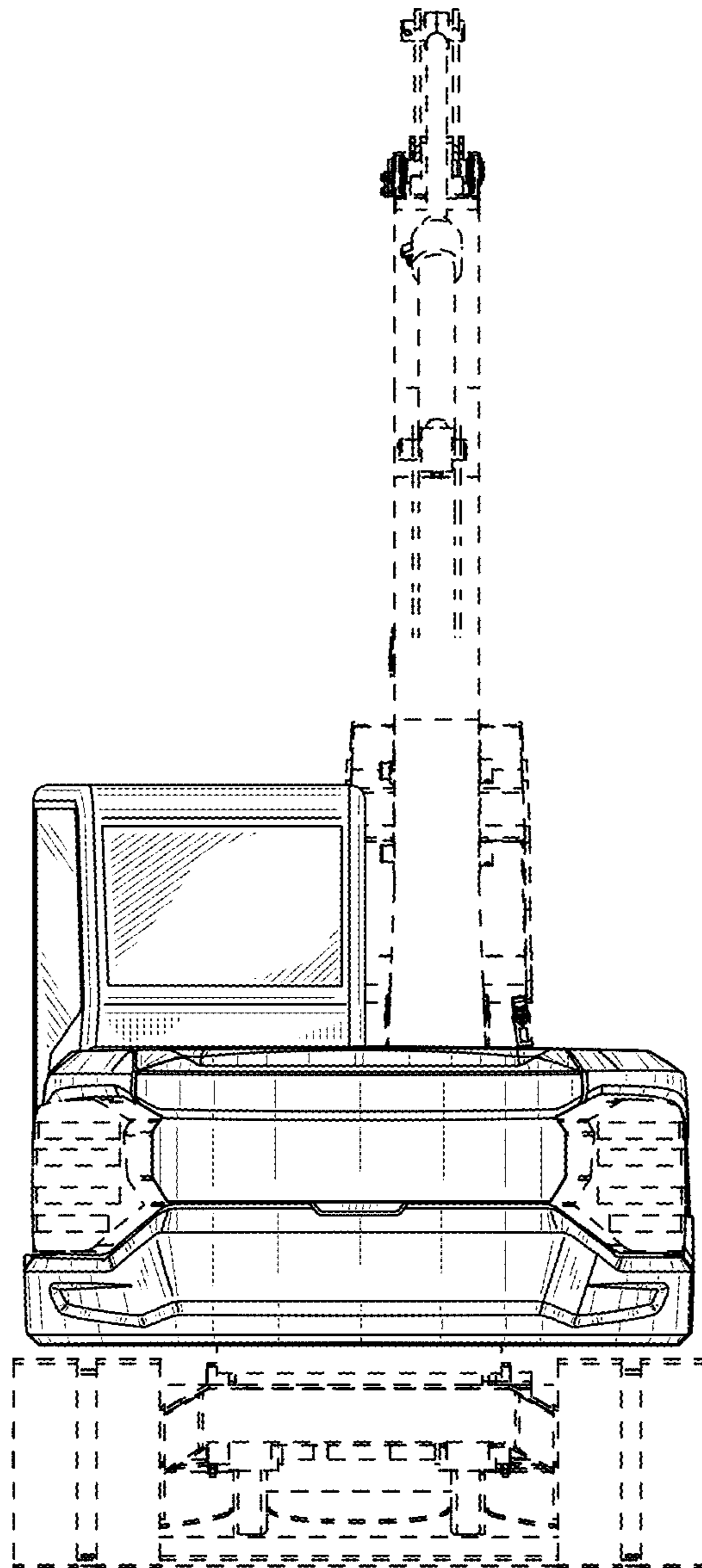


FIG. 5

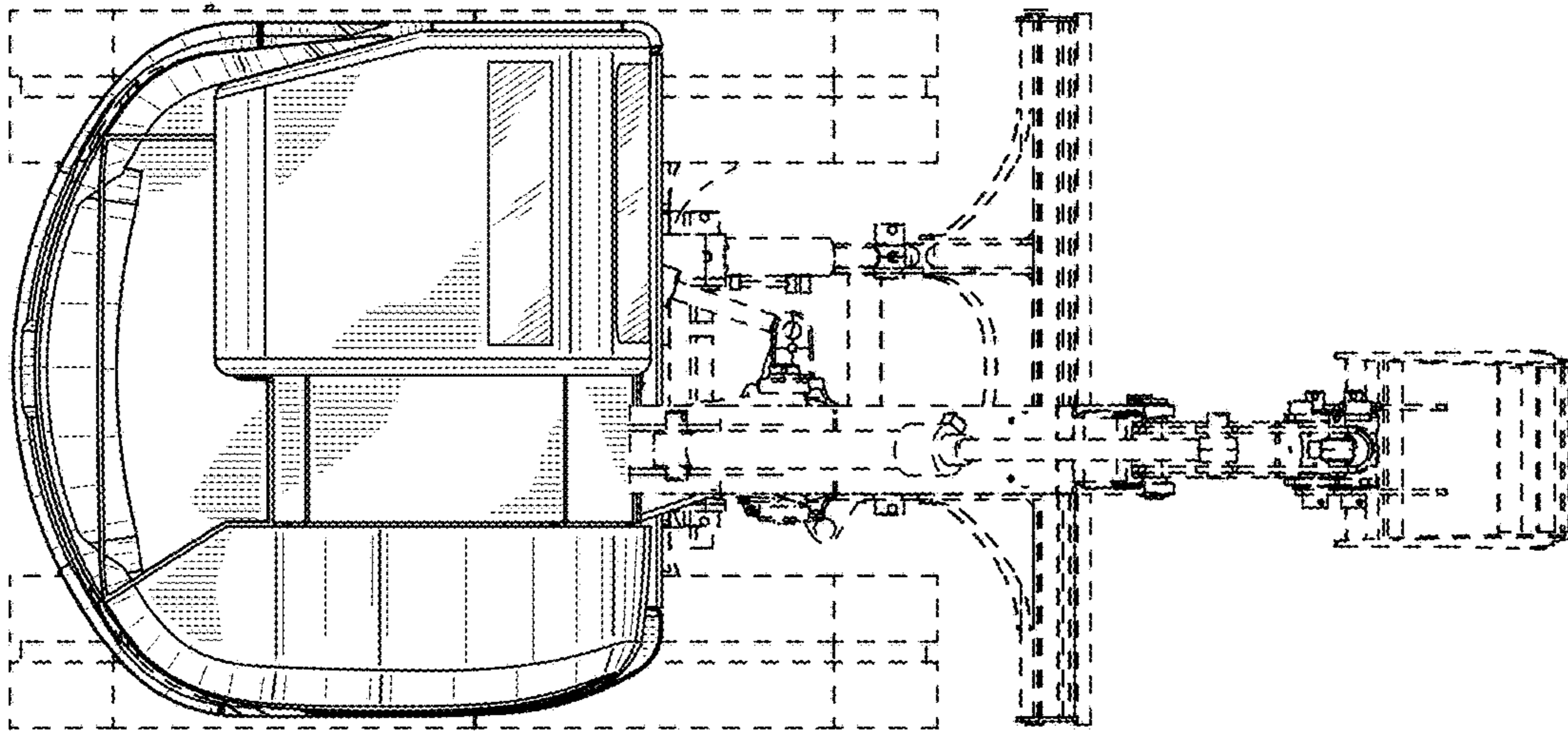


FIG. 6