



US00D797158S

(12) **United States Design Patent** (10) **Patent No.:** **US D797,158 S**
Johnson et al. (45) **Date of Patent:** **** Sep. 12, 2017**

(54) **AGRICULTURAL BALER** 6,857,251 B2 * 2/2005 McClure A01F 15/141
100/912
(71) Applicant: **Deere & Company**, Moline, IL (US) D600,253 S * 9/2009 Jacobs D15/10
D626,972 S 11/2010 Hoover et al.
D702,263 S 4/2014 Jacobsthal et al.
(72) Inventors: **Ashley M. Johnson**, Ottumwa, IA 2013/0133530 A1 * 5/2013 Roberge A01F 15/0883
(US); **Tibo Grandry**, Antwerp (BE); 100/88
Steven Plomteux, Antwerp (BE); **Jana**
Onzo, Antwerp (BE) 2015/0195994 A1 * 7/2015 Ostermann A01F 15/085
100/3

(73) Assignee: **Deere & Company**, Moline, IL (US)

(**) Term: **15 Years**

(21) Appl. No.: **29/570,001**

(22) Filed: **Jul. 1, 2016**

(30) **Foreign Application Priority Data**

May 13, 2016 (EM) 003126325

(51) **LOC (10) Cl.** **15-03**

(52) **U.S. Cl.**
USPC **D15/28**

(58) **Field of Classification Search**
USPC D15/10, 17, 27, 28; 414/24.5; 100/4, 5,
100/8, 88, 100; 56/341-343, 432, 202
CPC A01F 15/00; A01F 15/085; A01F 15/0715;
A01F 15/08; A01F 15/07; A01F 15/0883
See application file for complete search history.

(56) **References Cited**

U.S. PATENT DOCUMENTS

3,913,473 A * 10/1975 Meiers A01F 15/141
100/5
D238,501 S * 1/1976 Gaeddert et al. D15/27
D242,572 S * 11/1976 Grist et al. D15/27
D268,678 S * 4/1983 Swenson D15/27
5,131,214 A * 7/1992 Vermeer A01F 15/0833
100/88
5,138,942 A * 8/1992 Henderson A01F 15/07
100/88
D412,507 S * 8/1999 Underhill D15/27

OTHER PUBLICATIONS

Authors: Jones, Austin J. and Anstey, Henry D., Title: Bale Storage System with Damper Assembly, Document: Unpublished U.S. Appl. No. 62/320,251, filed Apr. 8, 2016, pp. 31, Unpublished.
Deere & Co., Balers, 9 Series Round Balers, Small Square Balers, 900 Series Round Balers, online brochure, available before the priority date of the subject application, DSAA65933, U.S.A.

(Continued)

Primary Examiner — Mark Goodwin

(74) *Attorney, Agent, or Firm* — Lorenz & Kopf, LLP

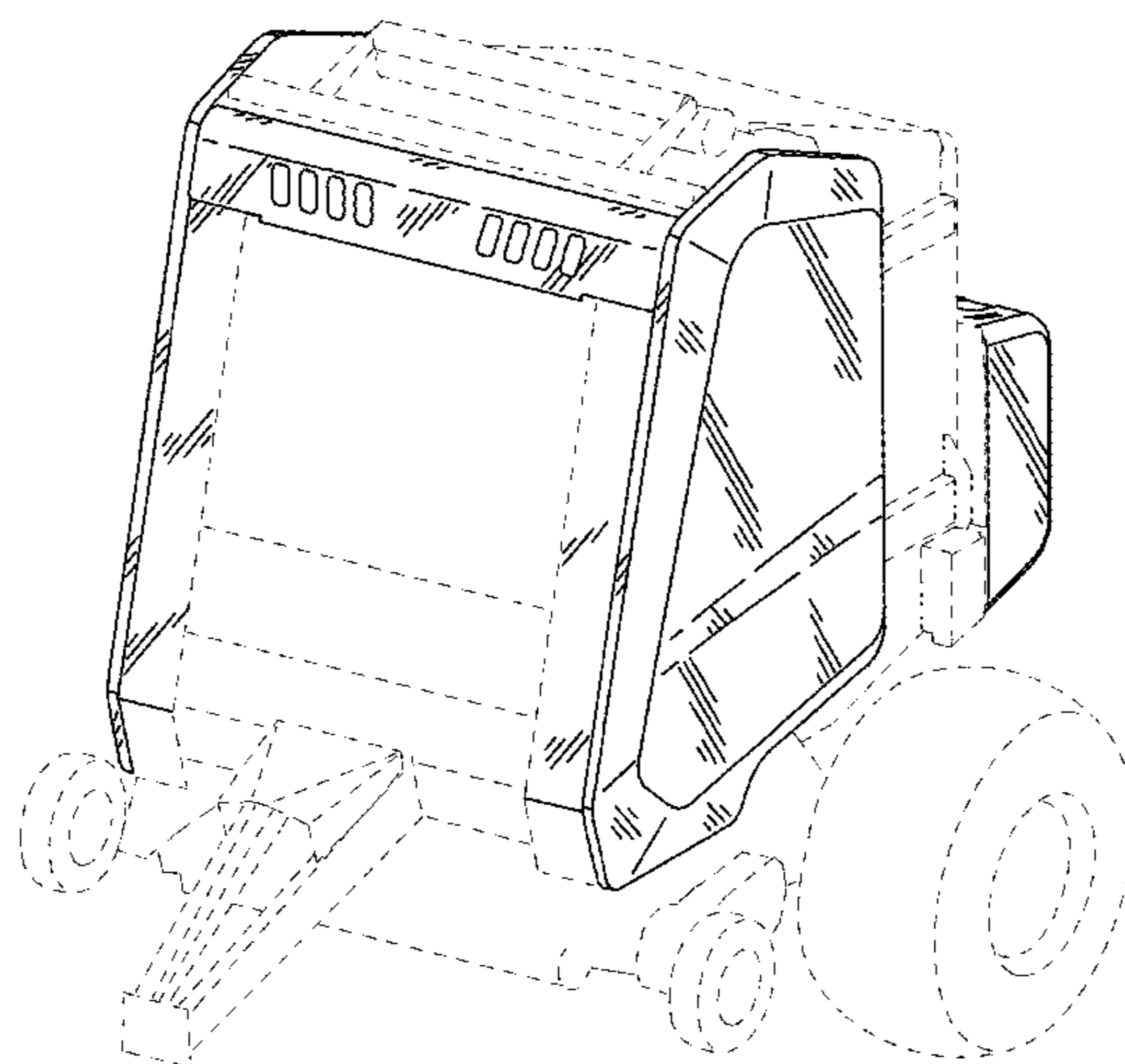
(57) **CLAIM**

The ornamental design for an agricultural baler, as shown and described.

DESCRIPTION

FIG. 1 is a front perspective view of an agricultural baler showing our new design;
FIG. 2 is a left side view thereof;
FIG. 3 is a right side view thereof;
FIG. 4 is a front end view thereof;
FIG. 5 is a rear end view thereof;
FIG. 6 is a top plan view thereof; and,
FIG. 7 is a bottom plan view thereof.
The broken lines in the drawings are for environmental purposes only and form no part of the claimed design.

1 Claim, 7 Drawing Sheets



(56)

References Cited

OTHER PUBLICATIONS

Deere & Co., Hay & Forage Equipment, 960 Round Baler, retrieved on Nov. 14, 2016 from URL: <https://www.deere.aom/en_US/products/equipment/hay_and_forage_equipment/balers/900-series-round-balers/960-round-baler/960-round-baler.page>, available before the priority date of the subject application, U.S.A.

Deere & Co., Hay & Forage Equipment, 990 Round Baler, retrieved on Nov. 14, 2016 from URL: <https://www.deere.com/en_US/products/equipment/hay_and_forage_equipment/balers/900-series-round-balers/990-round-baler/990-round-baler.page>, available before the priority date of the subject application, U.S.A.

* cited by examiner

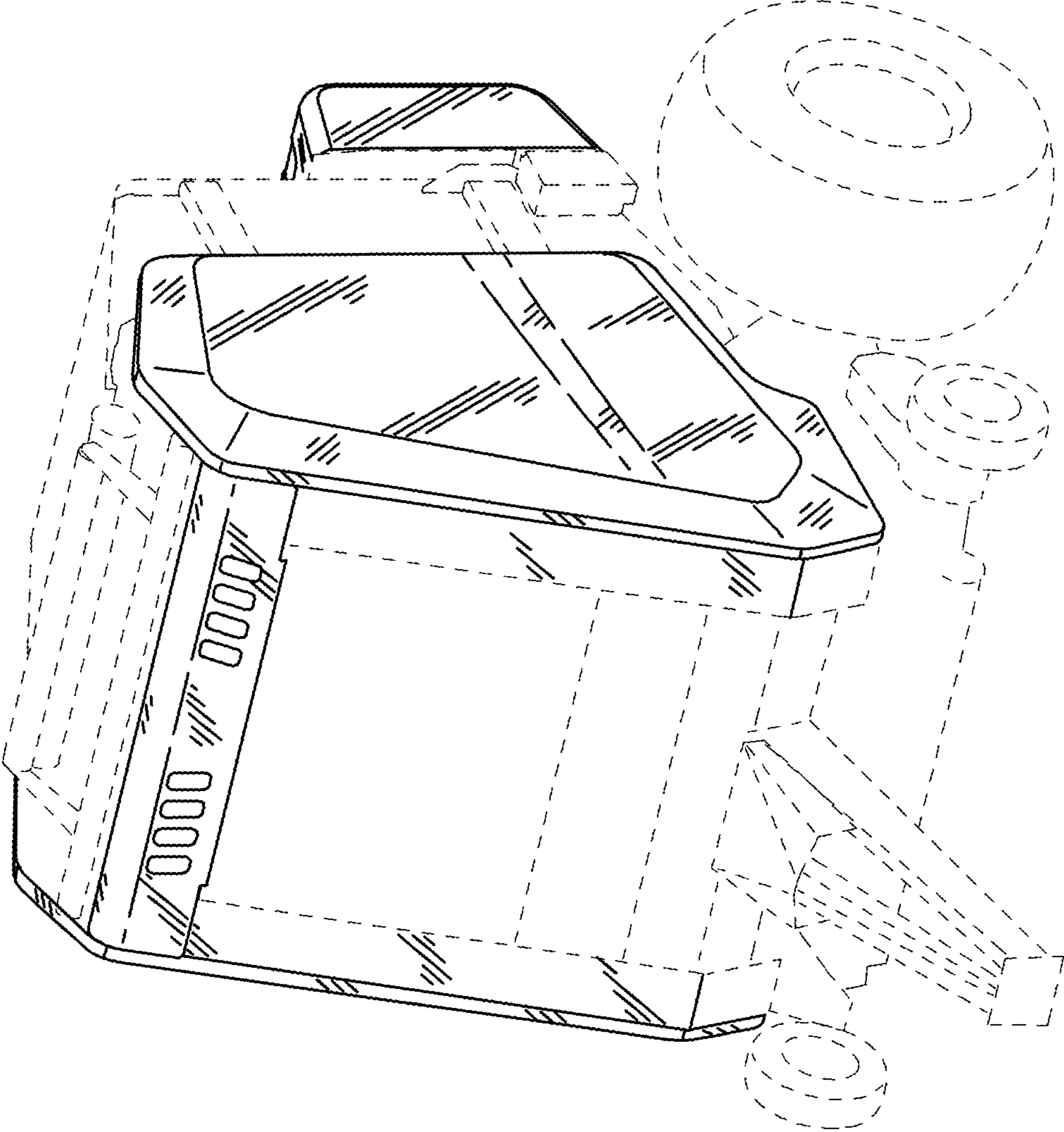


FIG. 1

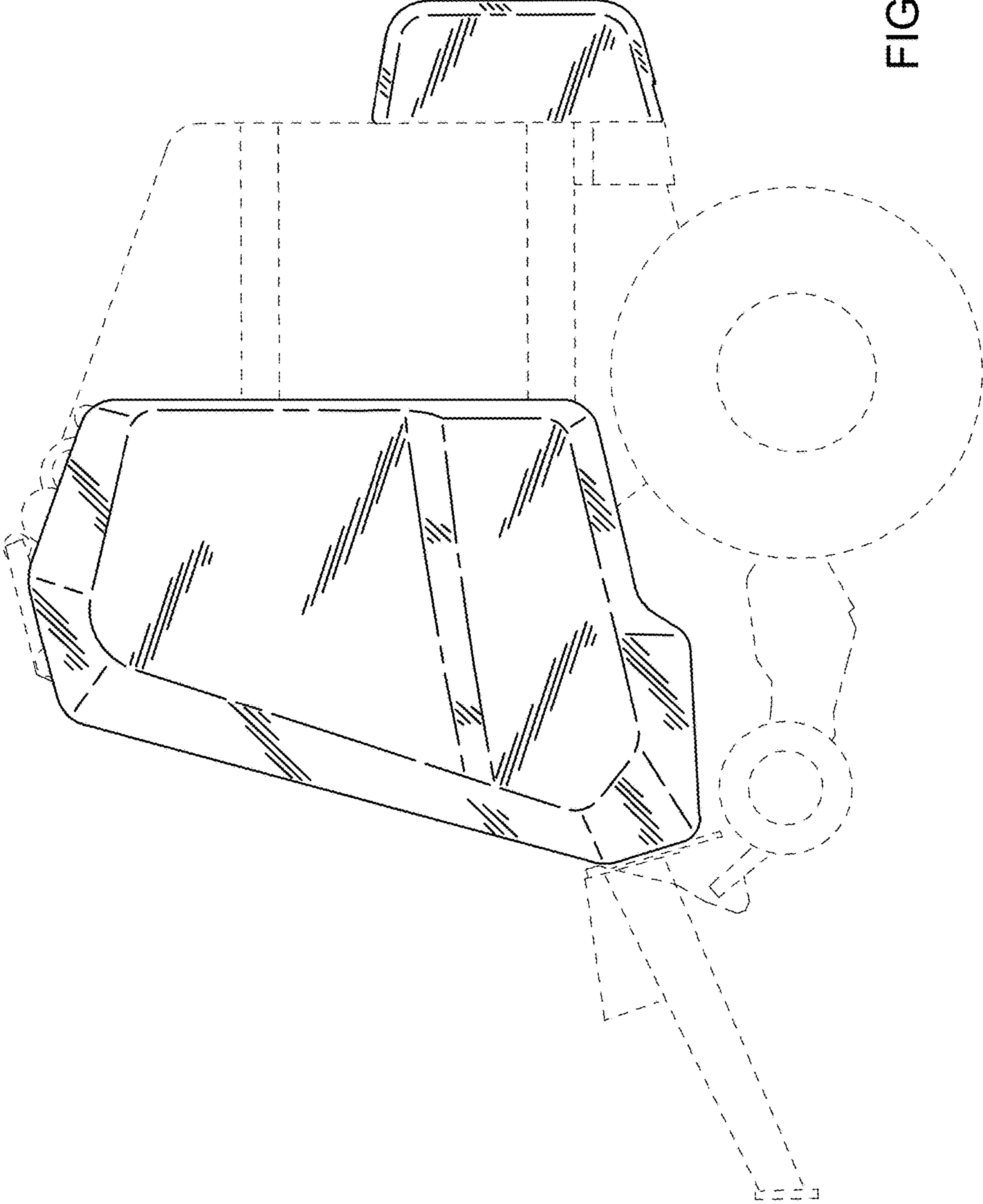


FIG. 2

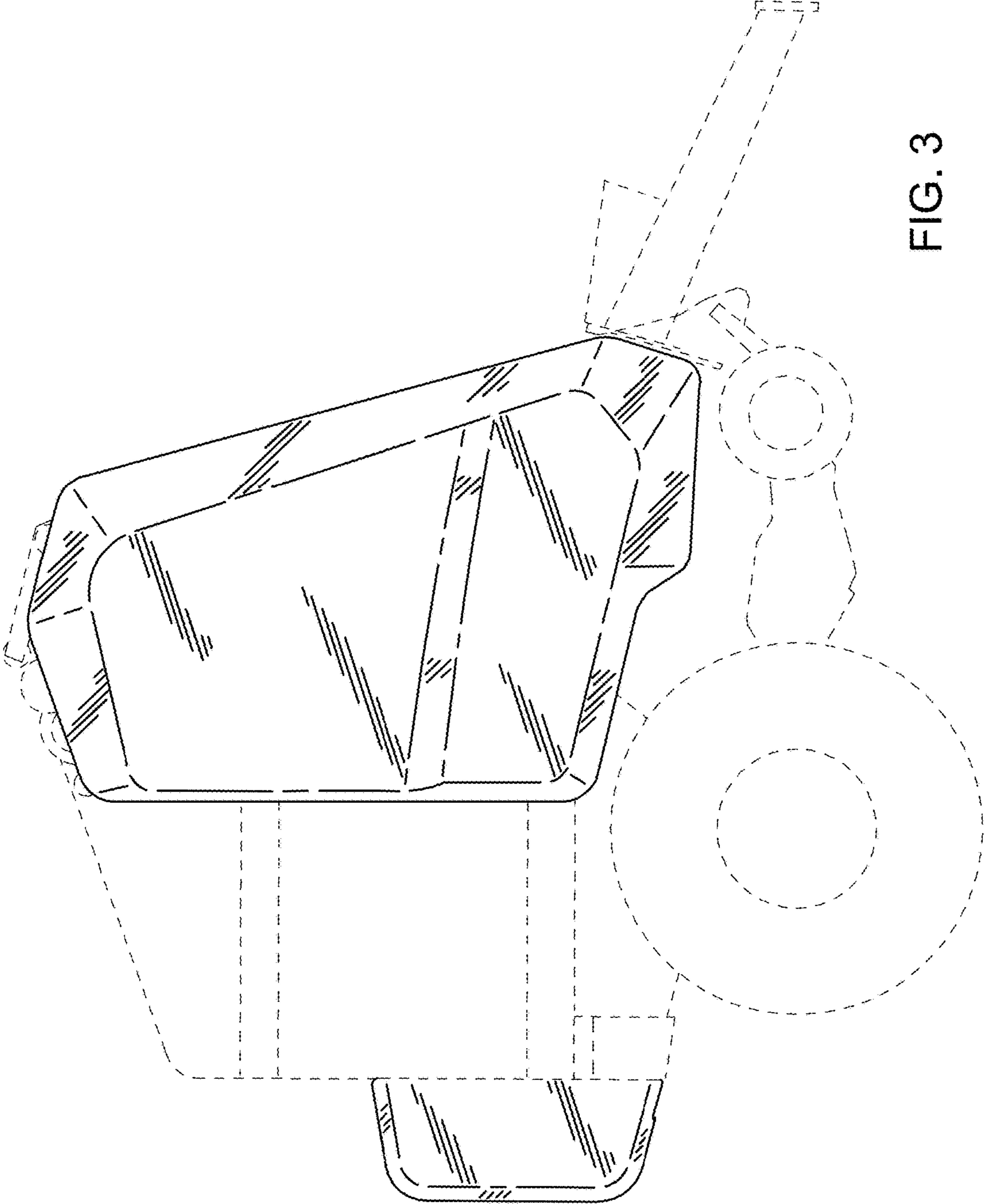


FIG. 3

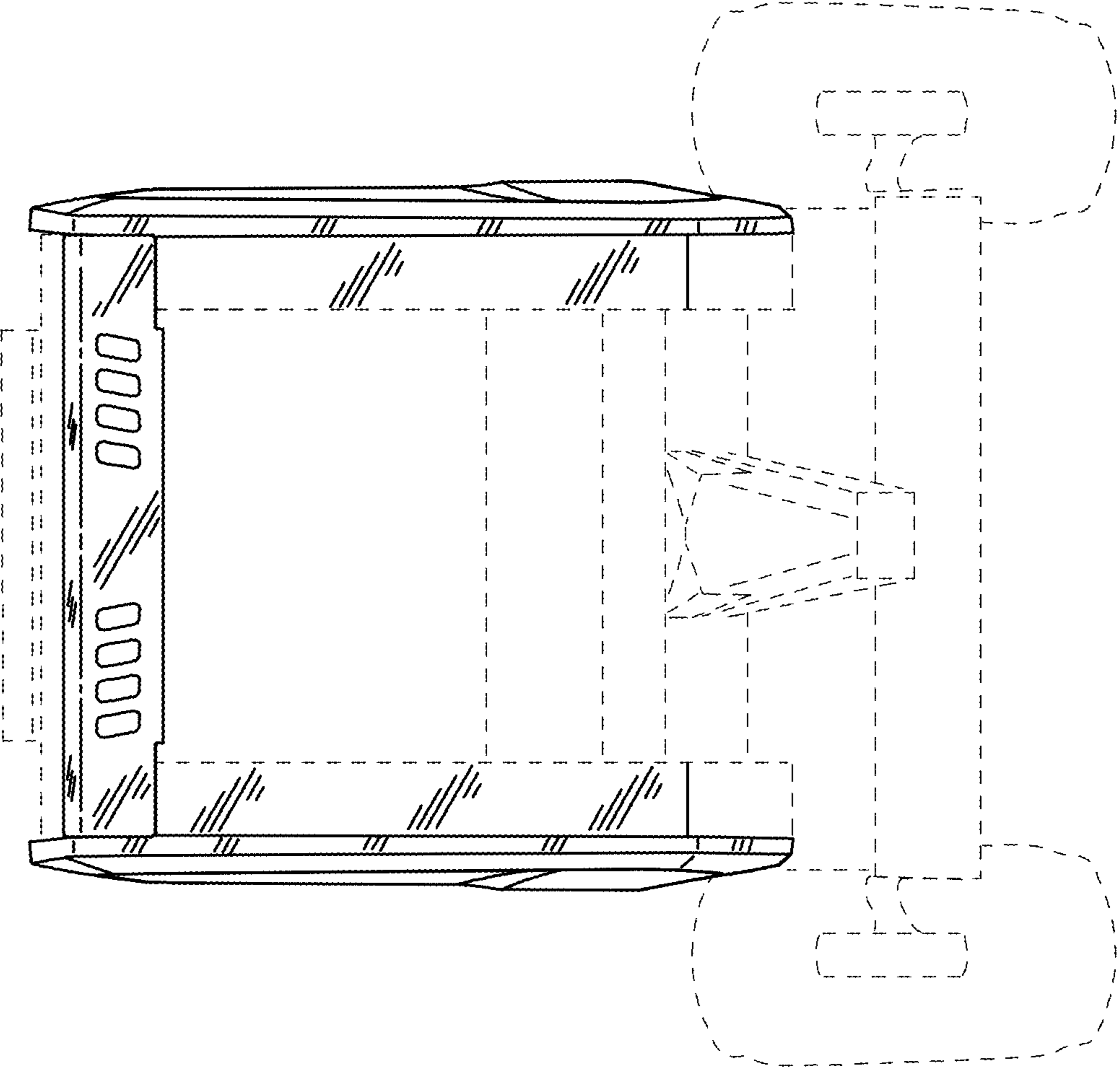


FIG. 4

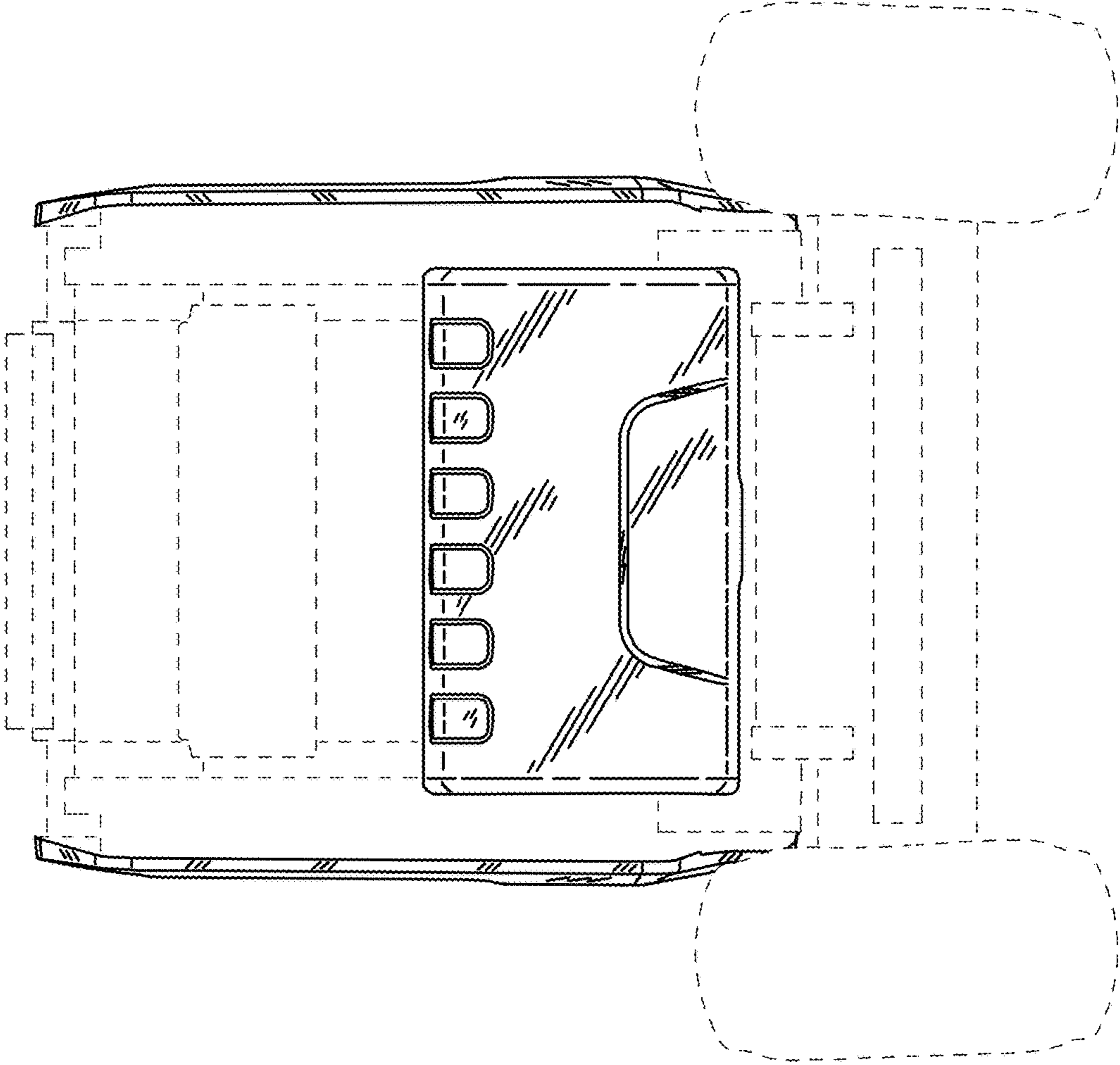


FIG. 5

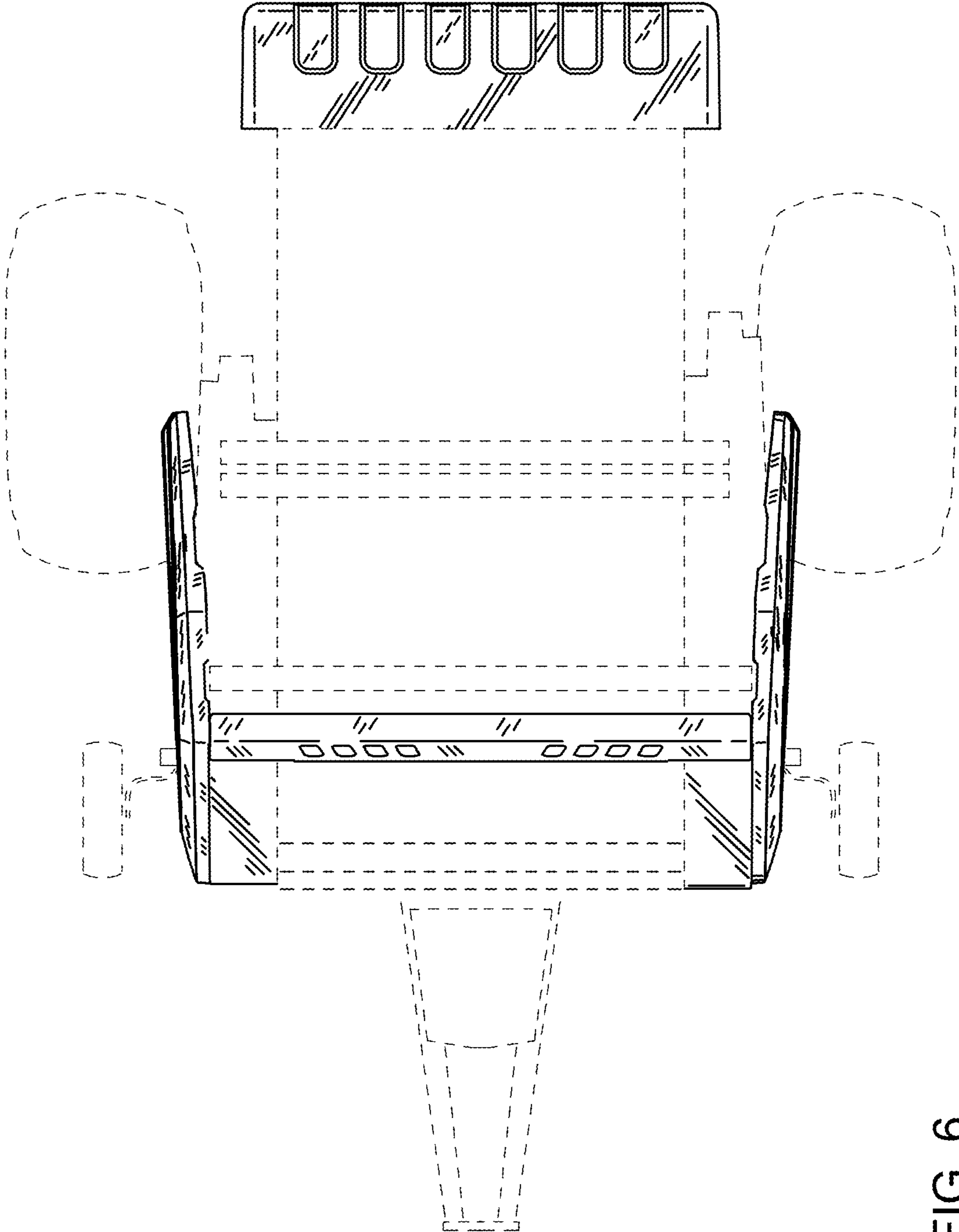


FIG. 6

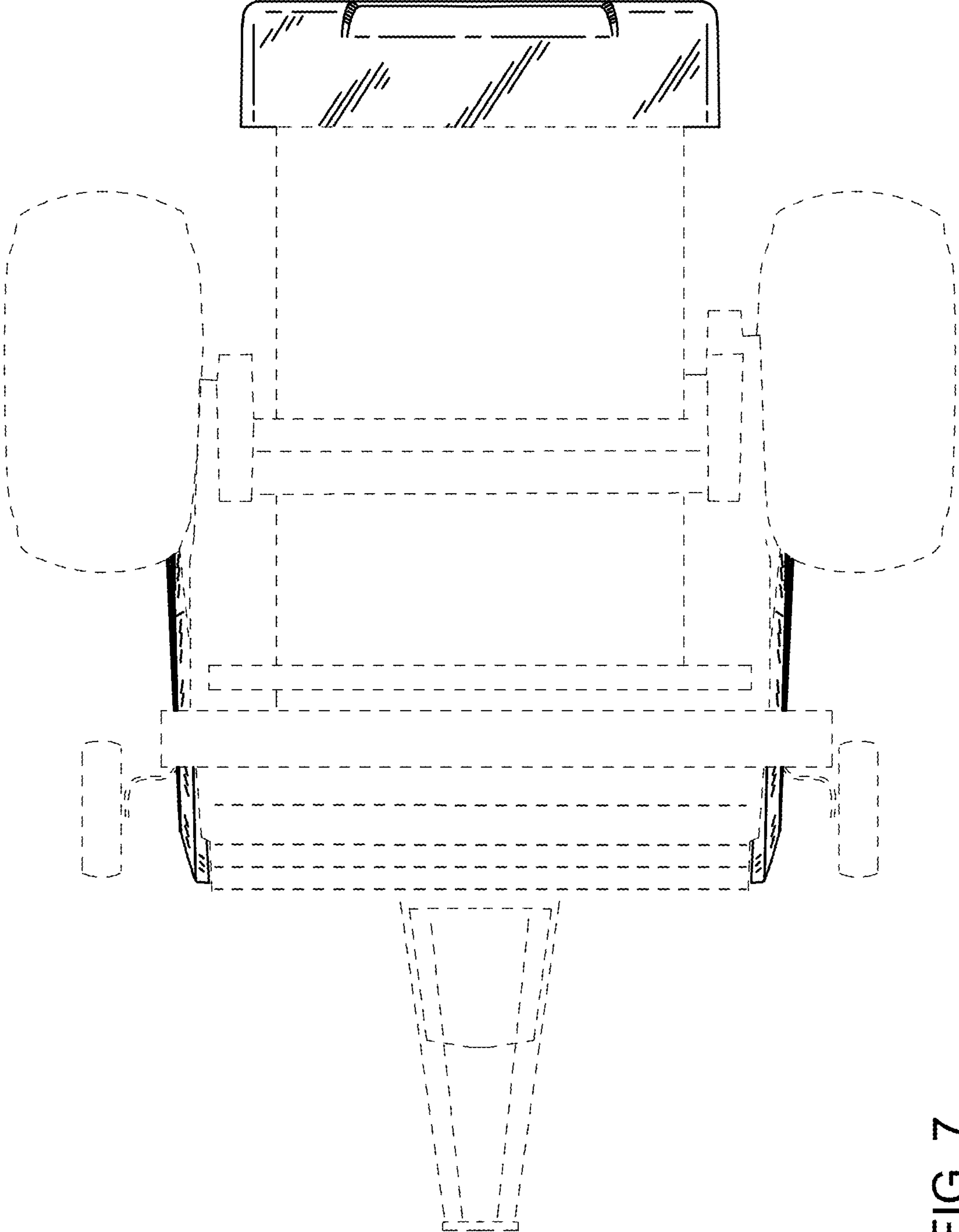


FIG. 7