



US00D797157S

(12) **United States Design Patent** (10) **Patent No.:** **US D797,157 S**  
**Launder et al.** (45) **Date of Patent:** **\*\* Sep. 12, 2017**

(54) **WEAR ASSEMBLY LOCK STRUCTURE**  
(71) Applicants: **Brian L. Launder**, Tulsa, OK (US);  
**Charles Clendenning**, Broken Arrow,  
OK (US); **Russell N. Drake**,  
Claremore, OK (US)  
(72) Inventors: **Brian L. Launder**, Tulsa, OK (US);  
**Charles Clendenning**, Broken Arrow,  
OK (US); **Russell N. Drake**,  
Claremore, OK (US)  
(73) Assignee: **H&L TOOTH COMPANY**, Tulsa, OK  
(US)  
(\*\*) Term: **15 Years**  
(21) Appl. No.: **29/566,942**  
(22) Filed: **Jun. 3, 2016**  
(51) **LOC (10) Cl.** ..... **15-03**  
(52) **U.S. Cl.**  
USPC ..... **D15/28**  
(58) **Field of Classification Search**  
USPC ..... D15/17, 28; D8/343  
CPC ..... Y10T 403/7075; Y10T 403/7013; Y10T  
403/7018; Y10T 403/587; Y10T 403/553;  
E02F 9/2833; E02F 9/2841; E02F 9/2858;  
E02F 9/2825; E02F 9/28; F16B 19/02;  
F16B 37/00  
See application file for complete search history.

7,832,129 B2 \* 11/2010 Briscoe ..... E02F 9/2841  
37/455  
D634,605 S \* 3/2011 Guimaraes ..... D15/28  
8,443,504 B2 \* 5/2013 Clendenning ..... B25B 27/04  
29/255  
9,085,876 B2 \* 7/2015 Swinscoe ..... E02F 9/2833  
RE45,710 E \* 10/2015 Guimaraes ..... D8/343  
D743,446 S \* 11/2015 Jones ..... D15/21  
9,222,243 B2 \* 12/2015 Cheyne ..... E02F 9/2841  
D754,756 S \* 4/2016 Jones ..... D15/21  
2006/0037219 A1 \* 2/2006 Robinson ..... E02F 9/2833  
37/456  
2008/0209772 A1 \* 9/2008 Cui ..... E02F 9/2841  
37/456  
2011/0252672 A1 \* 10/2011 Briscoe ..... E02F 9/2841  
37/456  
2012/0260539 A1 \* 10/2012 Guimaraes ..... E02F 9/2825  
37/452  
2013/0139416 A1 \* 6/2013 Freund ..... E02F 9/2883  
37/455  
2014/0182174 A1 \* 7/2014 Clendenning ..... E02F 9/2833  
37/456  
2014/0215868 A1 \* 8/2014 Johnston ..... E02F 9/2825  
37/455  
2016/0002893 A1 \* 1/2016 Haslett ..... E02F 9/2833  
37/453

(Continued)

*Primary Examiner* — Mark Goodwin  
(74) *Attorney, Agent, or Firm* — Law Office of John W.  
Harbst

(57) **CLAIM**

The ornamental design for a wear assembly lock structure,  
as shown and described.

**DESCRIPTION**

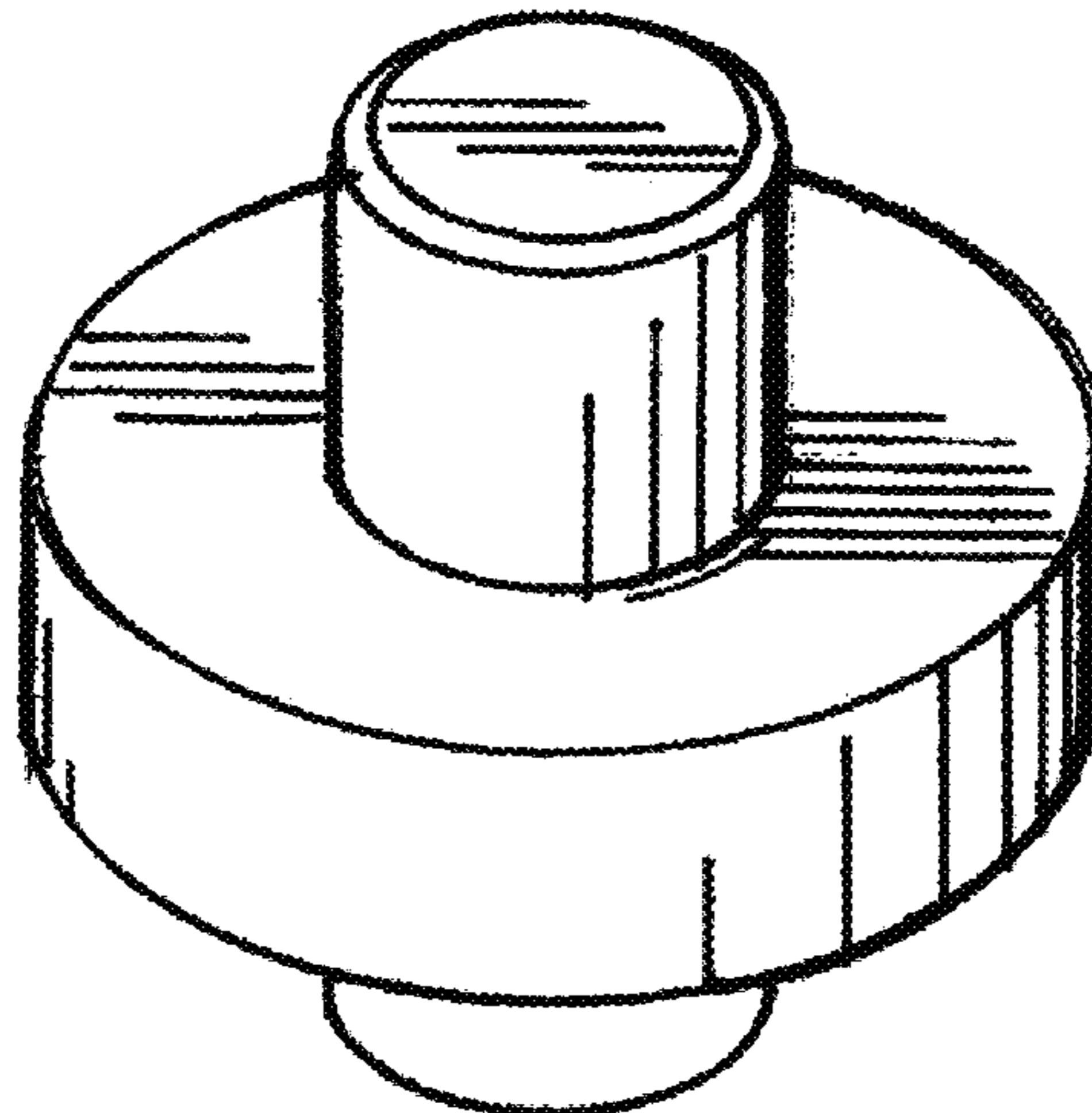
FIG. 1 is a upper perspective view of a wear assembly lock  
structure showing our new design;  
FIG. 2 is side elevational view thereof; and,  
FIG. 3 is a end view thereof, with the opposite end view  
being the same.

**1 Claim, 1 Drawing Sheet**

(56) **References Cited**

U.S. PATENT DOCUMENTS

5,709,043 A \* 1/1998 Jones ..... E02F 9/2825  
37/455  
5,992,063 A \* 11/1999 Mack ..... E02F 9/2825  
172/753  
D581,248 S \* 11/2008 Wu ..... D8/343  
D614,476 S \* 4/2010 Buhse ..... D8/330



(56)

**References Cited**

U.S. PATENT DOCUMENTS

2016/0281336 A1\* 9/2016 Clendenning ..... E02F 9/2825  
2016/0290134 A1\* 10/2016 Johnson ..... B28D 1/188  
2016/0305095 A1\* 10/2016 Kunz ..... E02F 9/2825  
2017/0016212 A1\* 1/2017 Triginer Boixeda . E02F 3/8152  
2017/0089045 A1\* 3/2017 Dare ..... E02F 3/40

\* cited by examiner

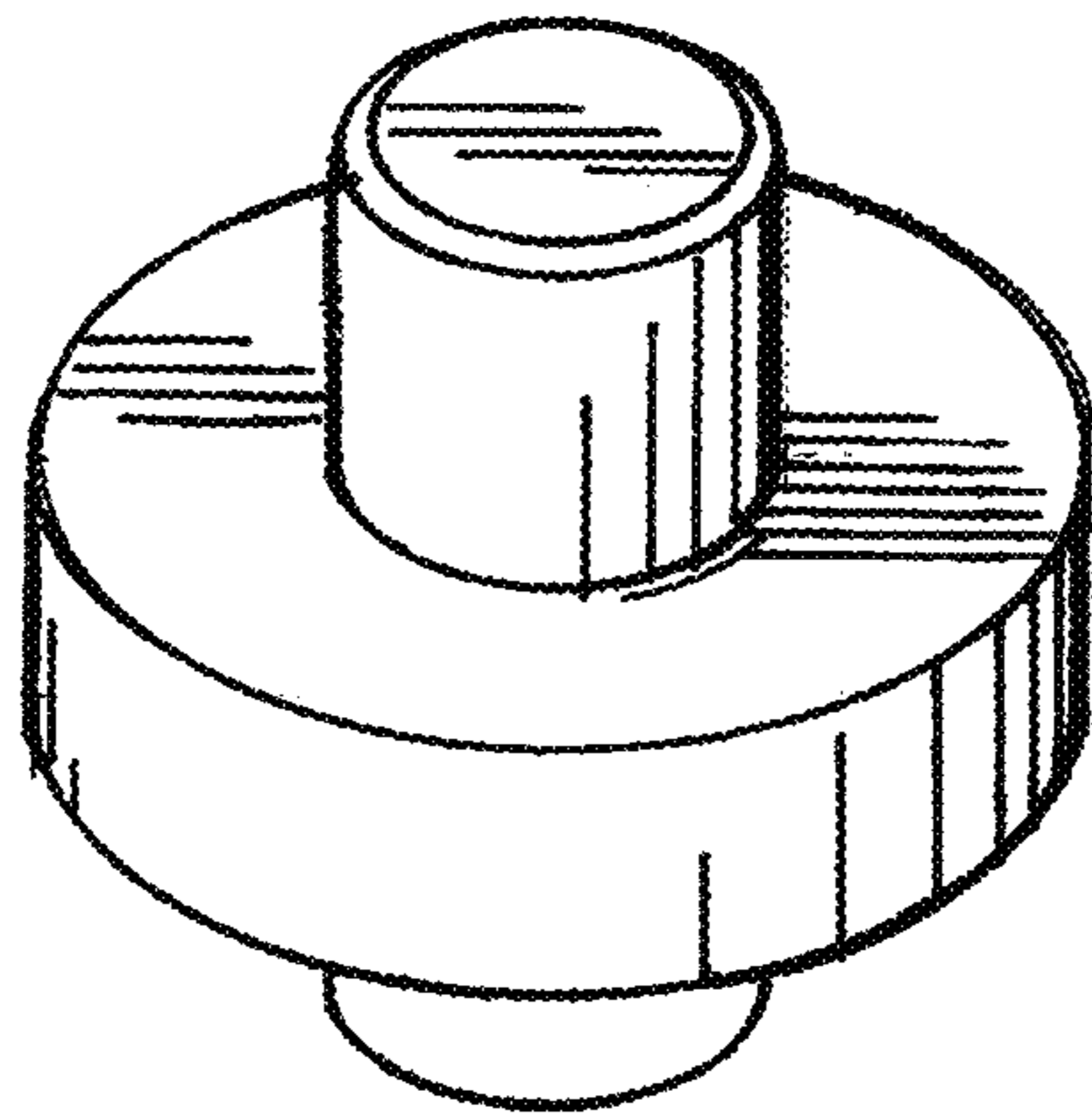


FIG. 1

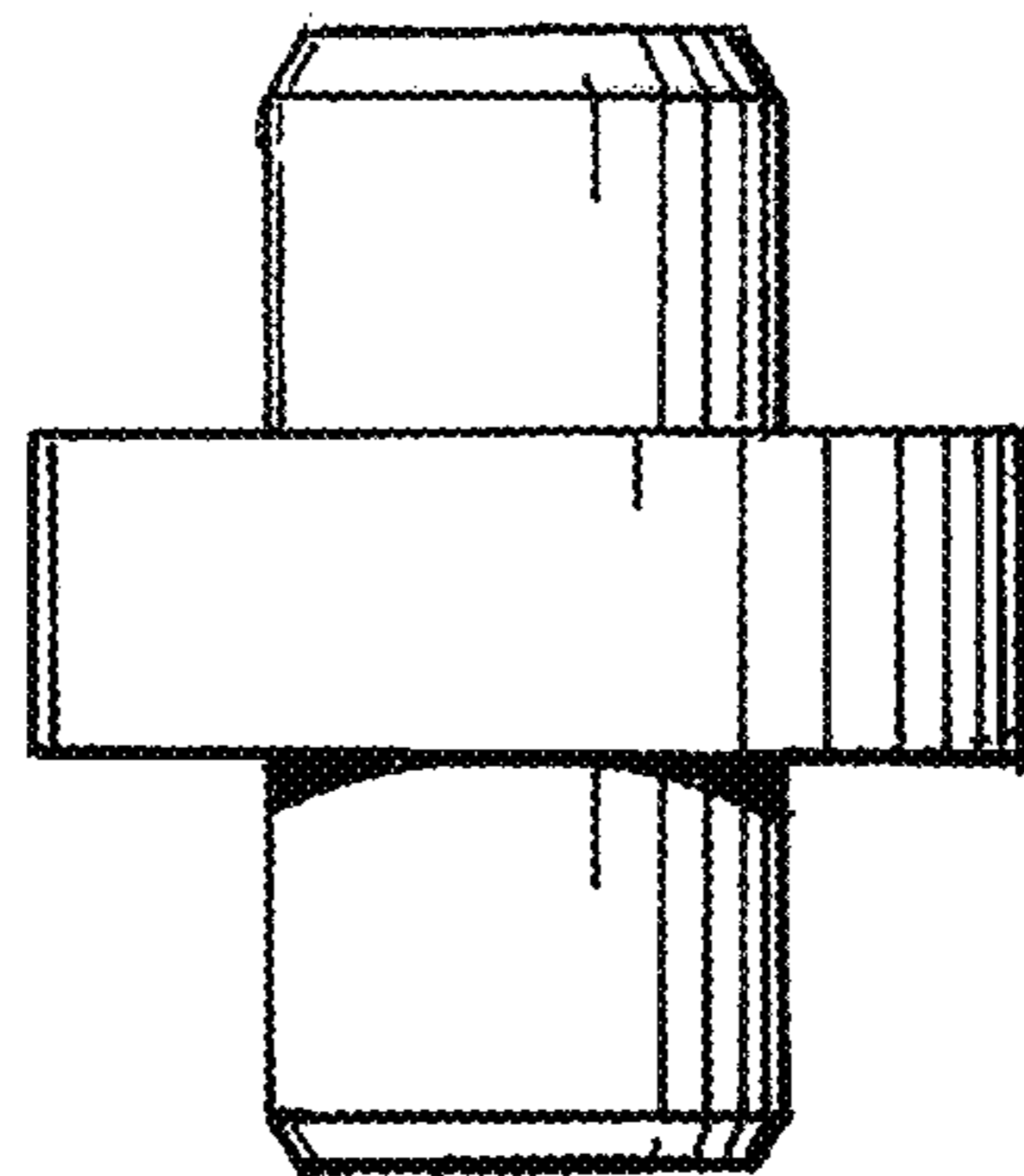


FIG. 2

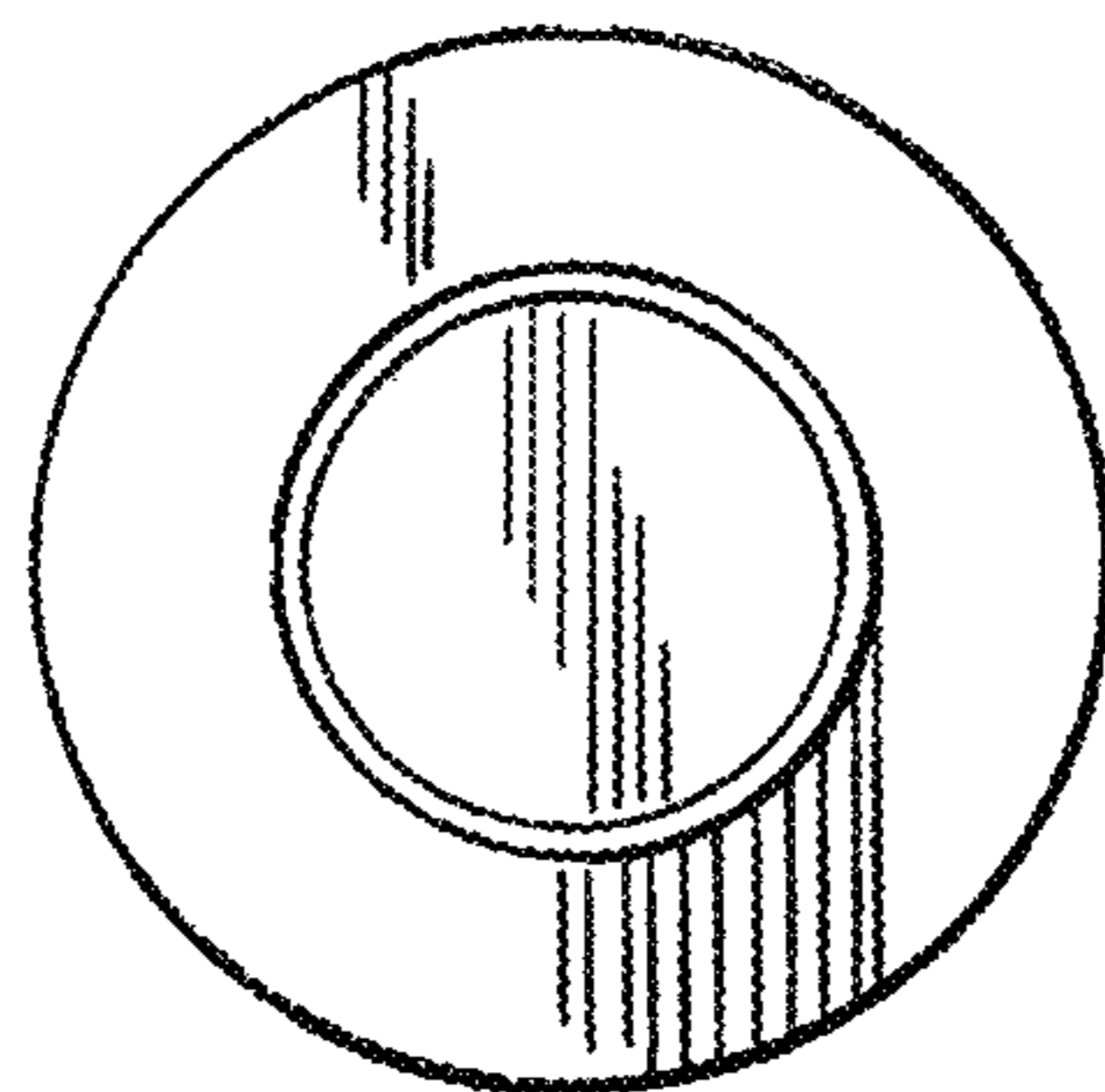


FIG. 3