



US00D797156S

(12) **United States Design Patent**
Paderni et al.

(10) **Patent No.:** **US D797,156 S**

(45) **Date of Patent:** **** Sep. 12, 2017**

(54) **HEAD FOR A PUMP**

(71) Applicant: **LEUCO S.P.A.**, Reggio Emilia (IT)

(72) Inventors: **Gianni Paderni**, Reggio Emilia (IT);
Fabio Pedroni, Casalgrande (IT)

(73) Assignee: **LEUCO S.P.A.**, Reggio Emilia (IT)

(**) Term: **15 Years**

(21) Appl. No.: **29/575,347**

(22) Filed: **Aug. 24, 2016**

(30) **Foreign Application Priority Data**

Jul. 11, 2016 (EM) 003302116

(51) **LOC (10) Cl.** **15-02**

(52) **U.S. Cl.**
USPC **D15/7**

(58) **Field of Classification Search**

USPC D15/7-9; D23/231, 232, 225; 417/60,
417/235, 265, 321, 355, 358, 363, 359,
417/410.1, 415-416, 405, 900, 269, 539;
60/408, 412; 184/26-37; 415/140-147;
123/495, 509; 137/565.34

CPC F02M 37/04; F02M 37/14; F04B 53/92;
F04B 1/005; F04B 53/02; F16J 15/324

See application file for complete search history.

(56) **References Cited**

U.S. PATENT DOCUMENTS

D582,434 S * 12/2008 Turgut D15/7
D582,435 S * 12/2008 Turgut D15/7

D582,944 S * 12/2008 Turgut D15/7
D613,765 S * 4/2010 Reverberi D15/5
D633,105 S * 2/2011 Magri D15/7
D633,406 S * 3/2011 Magri D15/7
D670,312 S * 11/2012 Alexander D15/7
D688,273 S * 8/2013 Magri D15/7
D692,026 S * 10/2013 Alexander D15/7
D699,762 S * 2/2014 Alexander D15/7
D700,211 S * 2/2014 Alexander D15/7
D702,262 S * 4/2014 Magri D15/9
D726,225 S * 4/2015 Alexander D15/7
D726,226 S * 4/2015 Alexander D15/7
9,670,923 B2 * 6/2017 Weaver F04B 53/143
9,677,548 B2 * 6/2017 Paderni F04B 1/005

* cited by examiner

Primary Examiner — Ralf Seifert

(74) *Attorney, Agent, or Firm* — Pearne & Gordon LLP

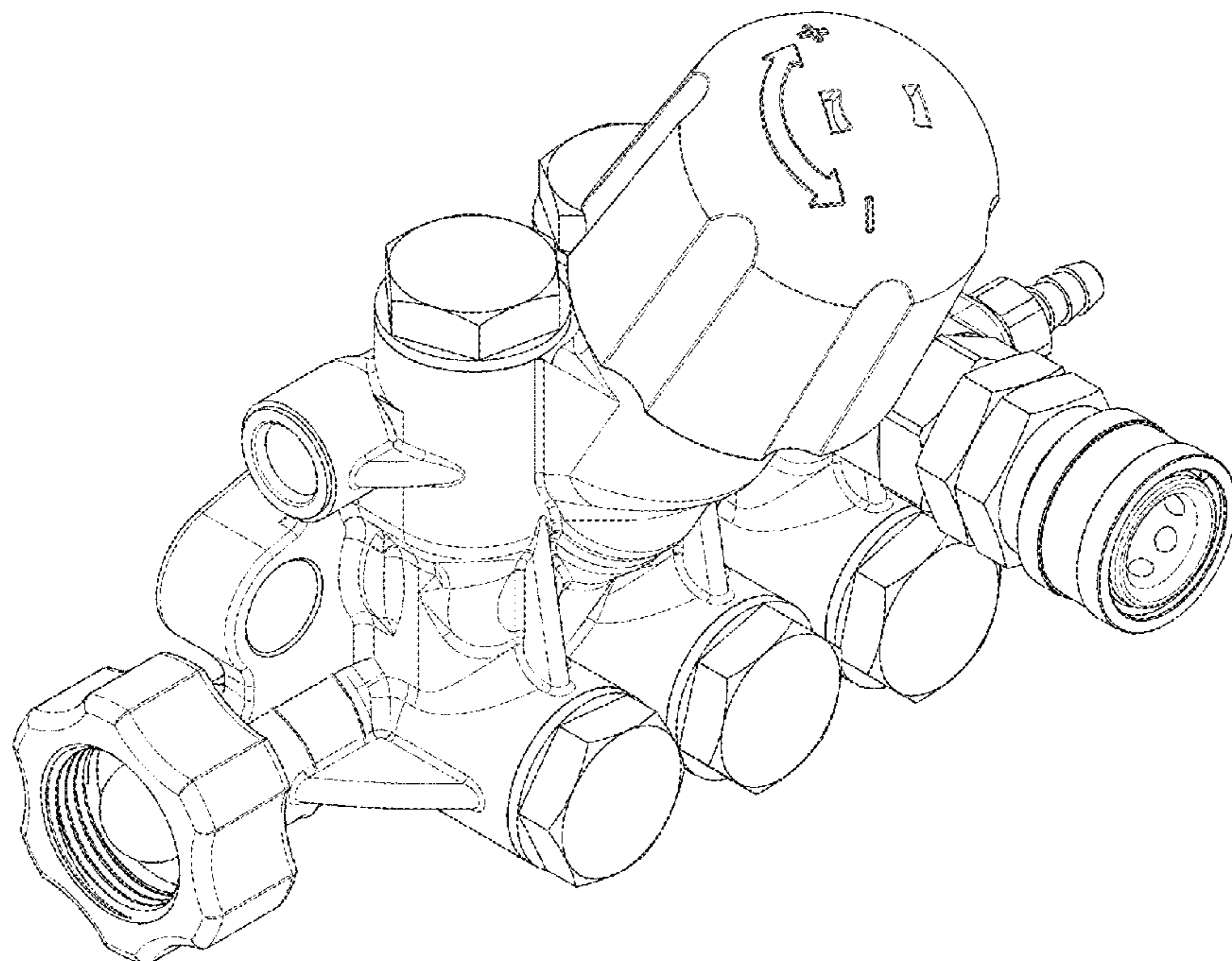
(57) **CLAIM**

The ornamental design for a head for a pump, as shown and described.

DESCRIPTION

FIG. 1 is a perspective view of a head for a pump, showing our new design;
FIG. 2 is a front view thereof;
FIG. 3 is a left side view thereof;
FIG. 4 is a back view thereof;
FIG. 5 is a right side view thereof;
FIG. 6 is a top view thereof; and,
FIG. 7 is a bottom view thereof.

1 Claim, 7 Drawing Sheets



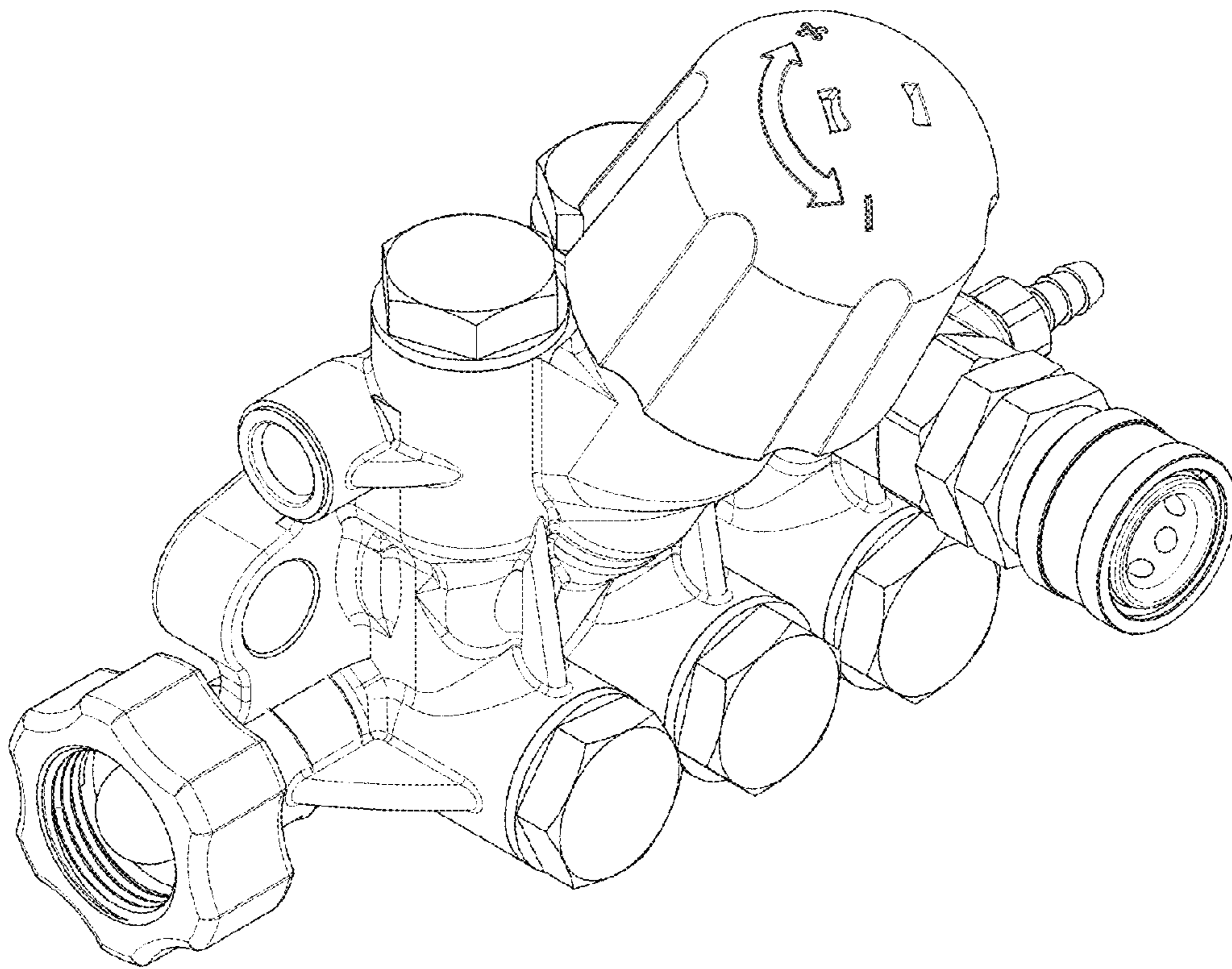


FIG. 1

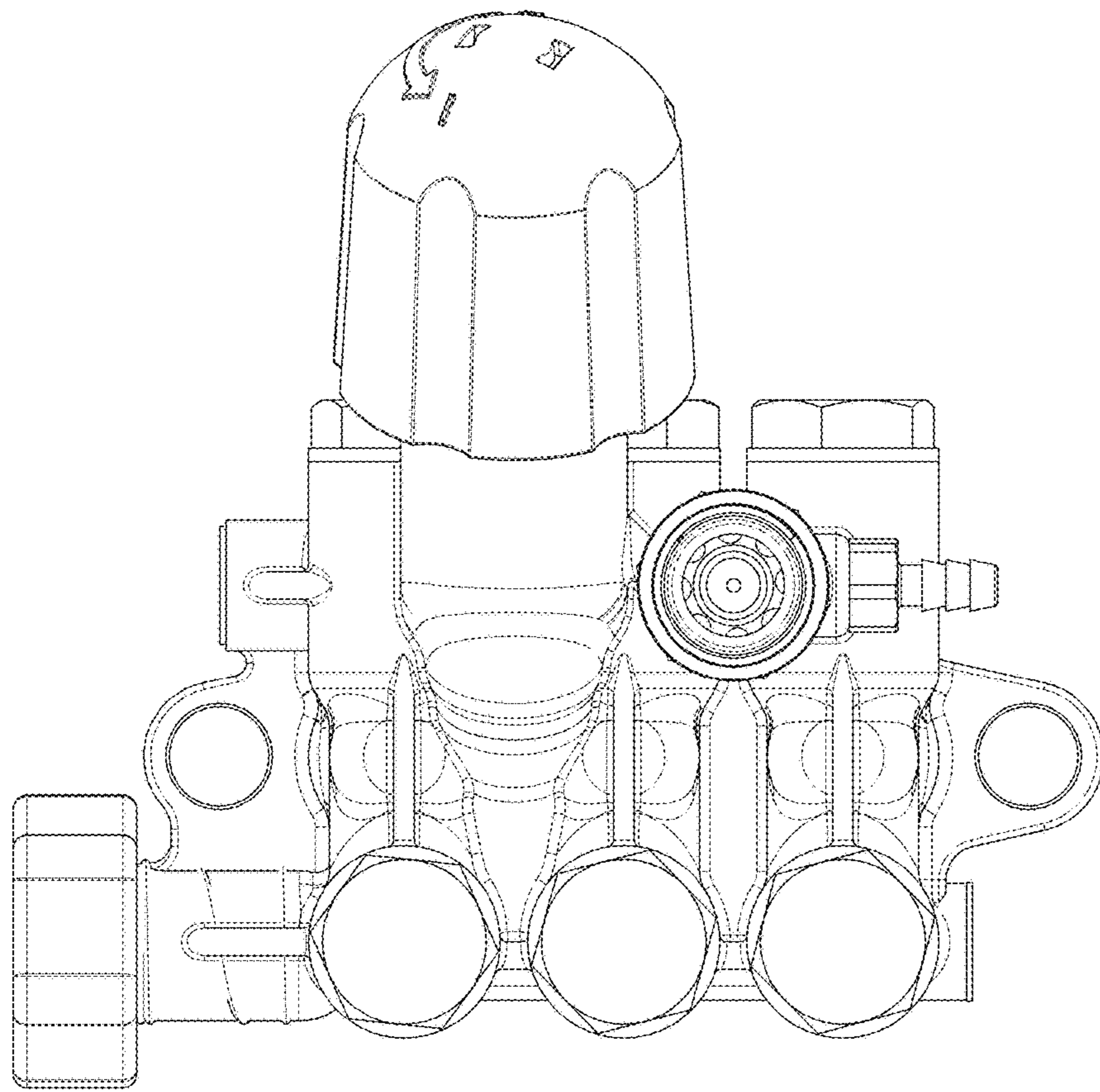


FIG. 2

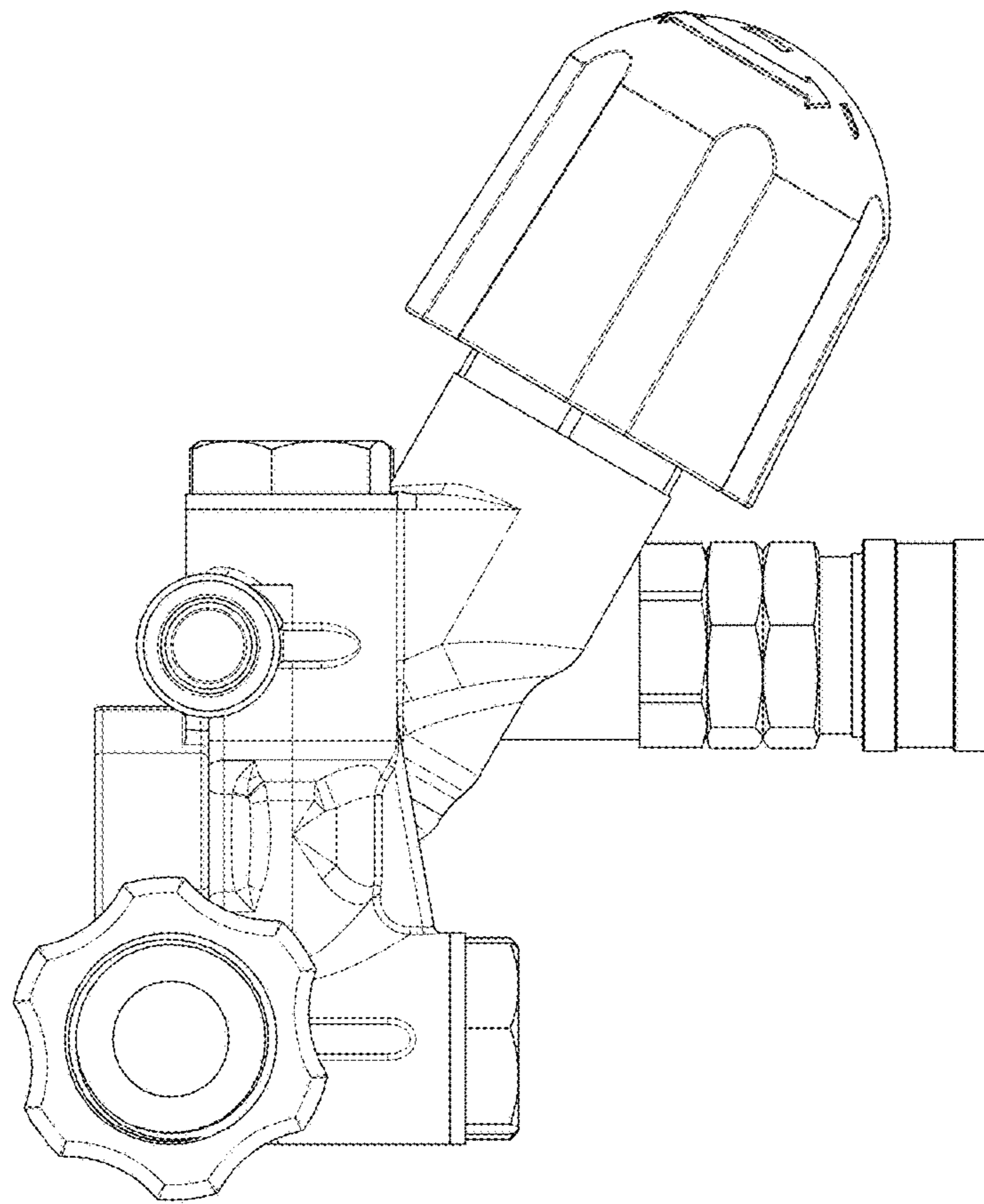


FIG. 3

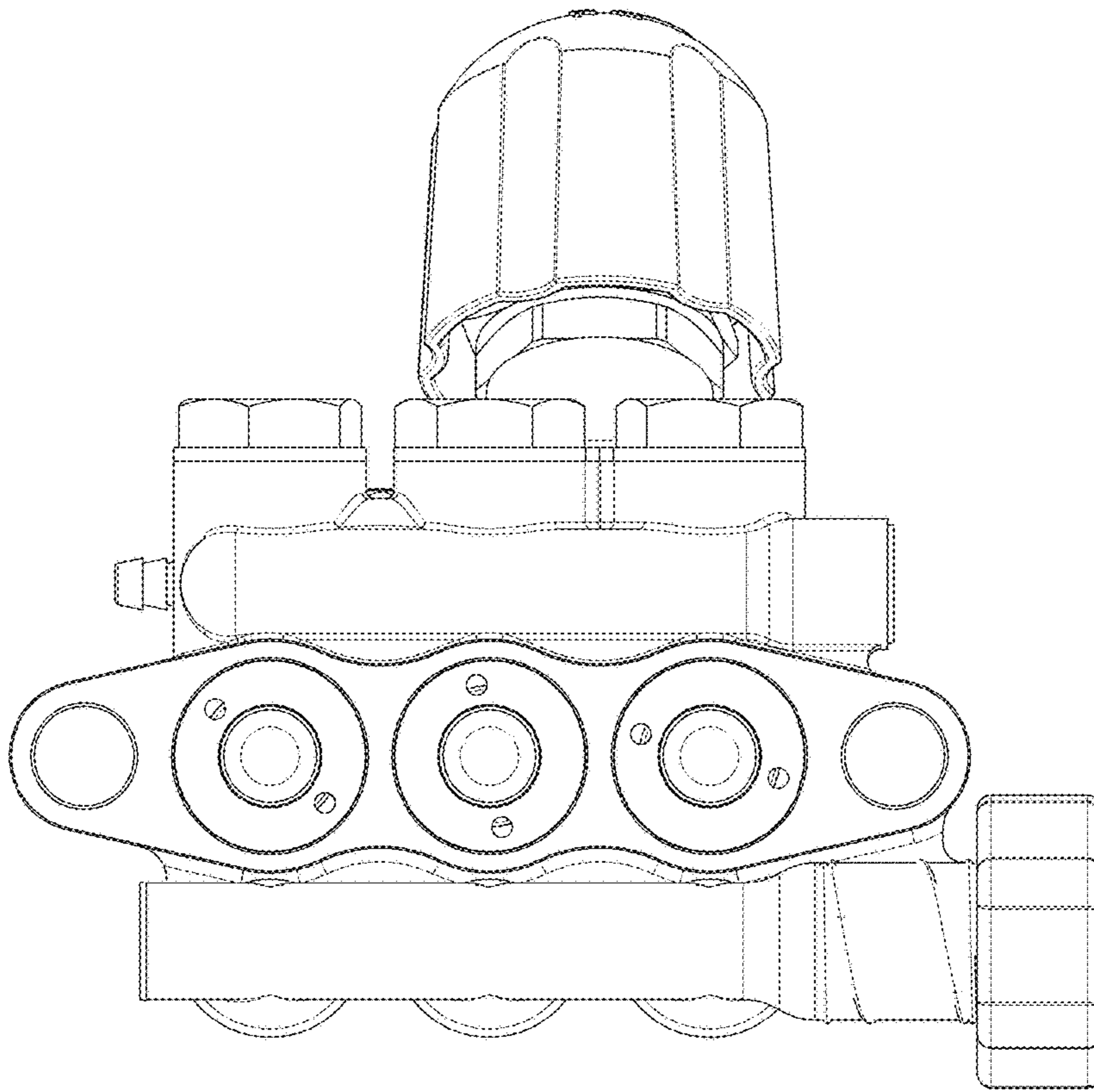


FIG. 4

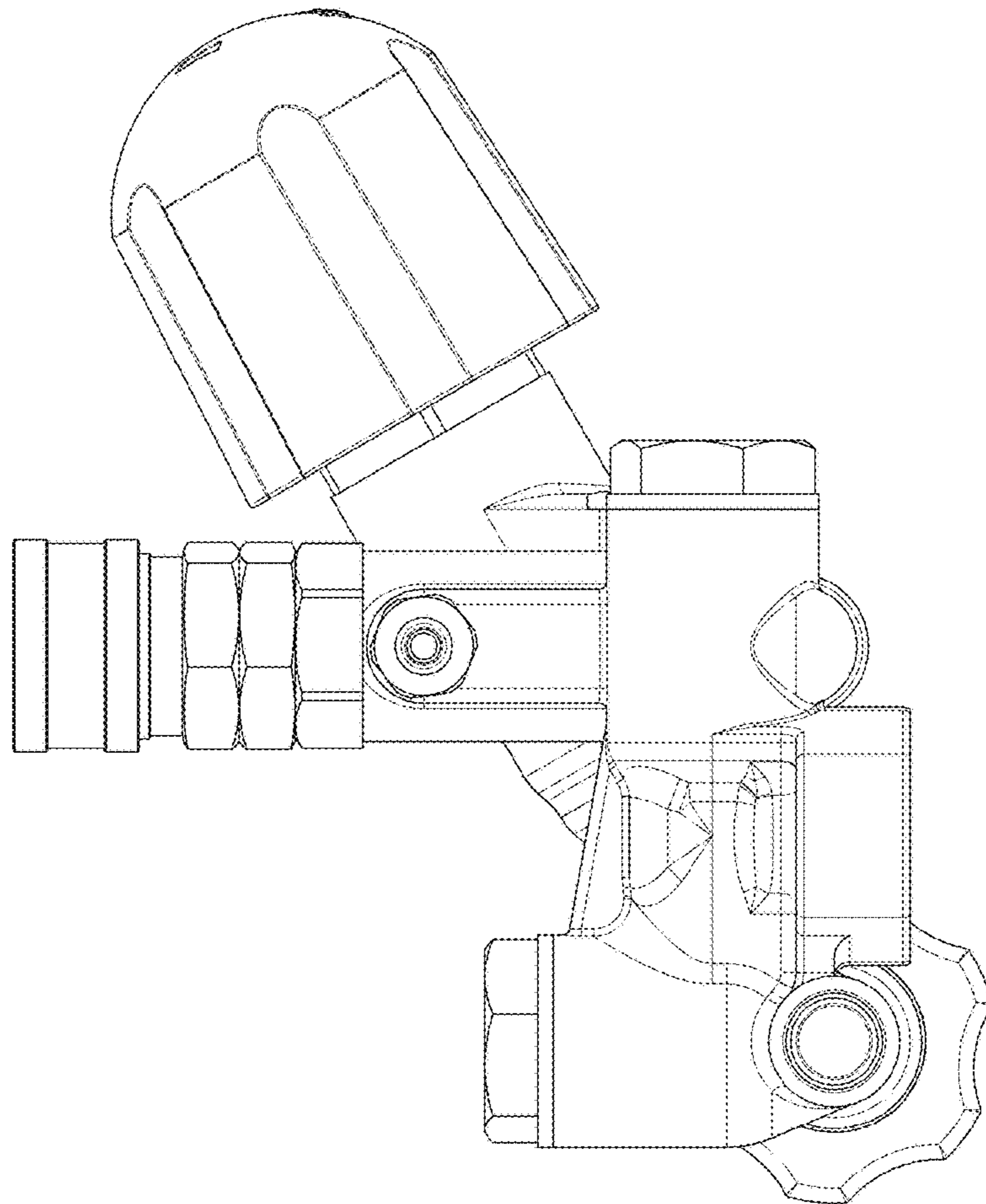


FIG. 5

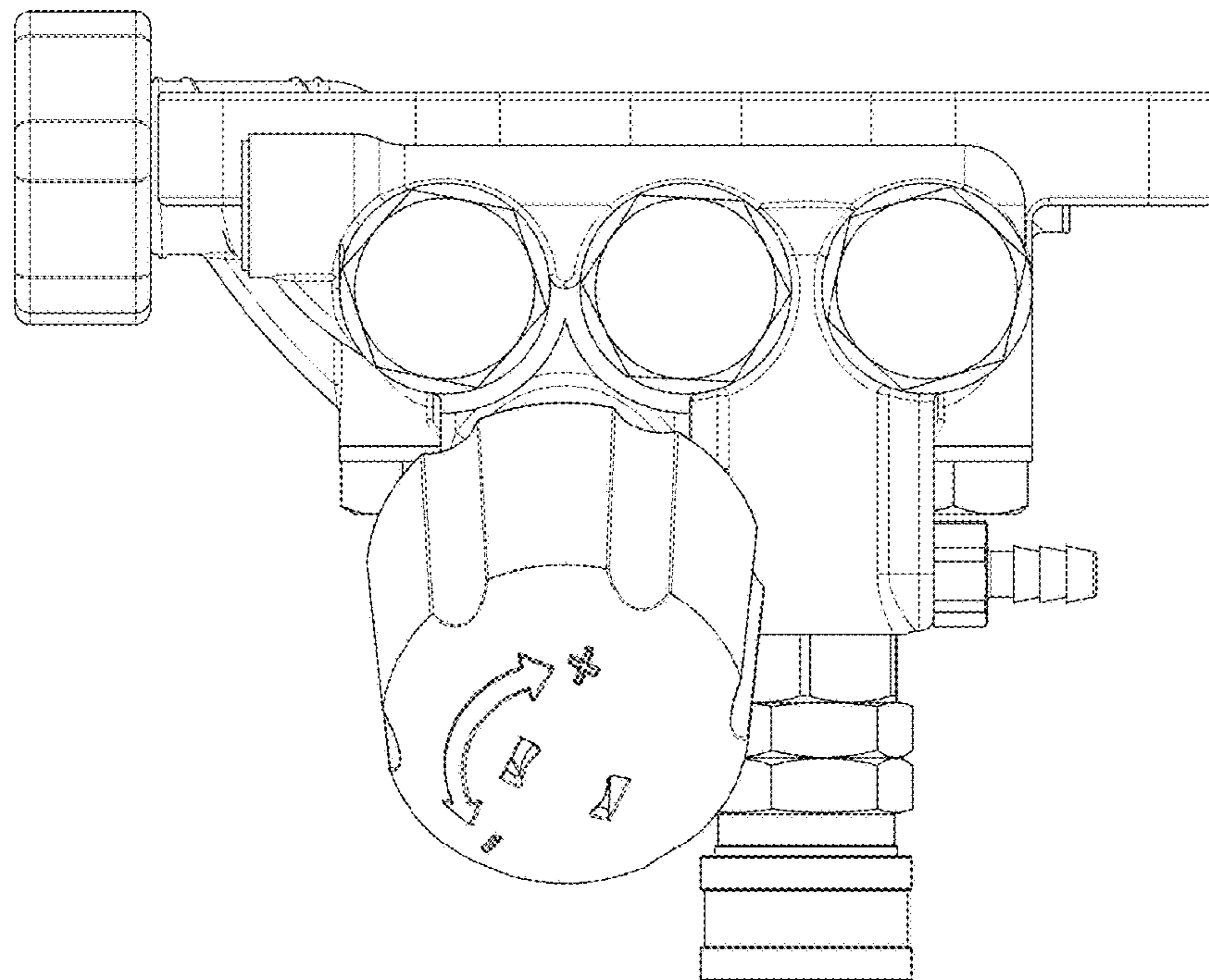


FIG. 6

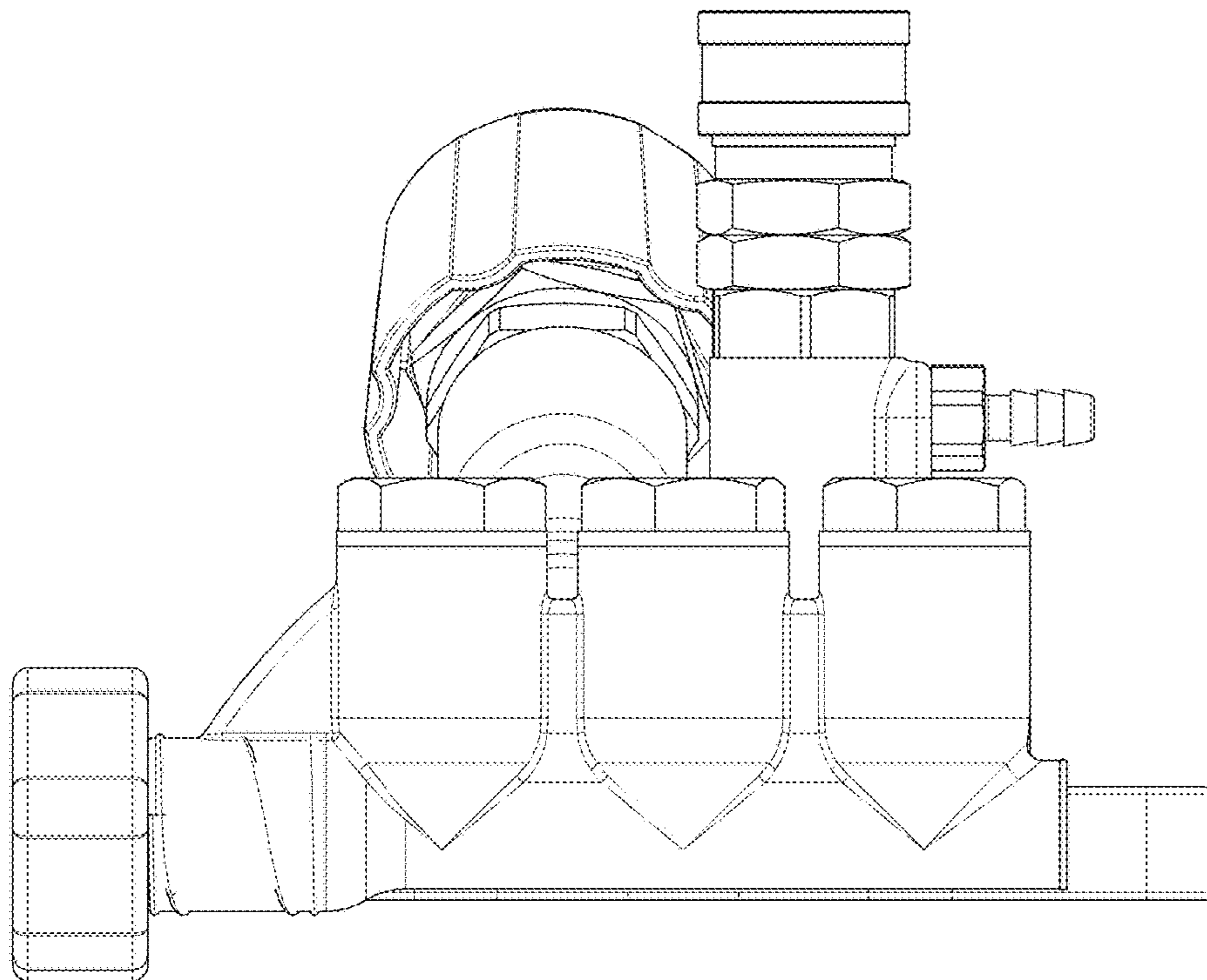


FIG. 7