



US00D797155S

(12) **United States Design Patent** (10) **Patent No.:** **US D797,155 S**
Ostrosky et al. (45) **Date of Patent:** **** Sep. 12, 2017**

(54) **PULSE DAMPER** 4,556,087 A * 12/1985 Casilli F16L 55/03
138/30
(71) Applicant: **Eaton Corporation**, Cleveland, OH D289,400 S 4/1987 Frees et al.
(US) 5,129,427 A * 7/1992 White F16L 55/03
138/30
(72) Inventors: **James P Ostrosky**, Brighton, MI (US); 5,133,647 A 7/1992 Herron et al.
Jim James, Ann Arbor, MI (US); **Keith** D329,651 S 9/1992 Kuwada et al.
Westwood, Brierley Hill (GB) 5,364,236 A * 11/1994 Herron F04B 39/102
417/312
(73) Assignee: **Eaton Corporation**, Cleveland, OH 5,374,169 A 12/1994 Talaski
(US) (Continued)

(**) Term: **15 Years**
(21) Appl. No.: **29/573,169**
(22) Filed: **Aug. 3, 2016**

FOREIGN PATENT DOCUMENTS

EP 1996446 B1 10/2009
EP 2385241 B1 7/2013

Primary Examiner — Ralf Seifert
(74) *Attorney, Agent, or Firm* — RMCK Law Group,
PLC

Related U.S. Application Data

(63) Continuation of application No. 29/518,709, filed on
Feb. 26, 2015, now Pat. No. Des. 763,321.
(51) **LOC (10) Cl.** **15-02**
(52) **U.S. Cl.**
USPC **D15/7**
(58) **Field of Classification Search**
USPC D15/7-9, 5; D23/231, 232, 225; 417/60,
417/235, 265, 321, 355, 358, 363, 359,
417/410.1, 415-416, 405, 900, 540;
60/408, 412; 184/26-37; 415/140-147;
123/495, 509; 137/565.34
CPC F02M 37/04; F02M 37/14; F02M 31/10;
F02M 41/00; F16L 55/04
See application file for complete search history.

(57) **CLAIM**

The ornamental design for a pulse damper, as shown and
described.

DESCRIPTION

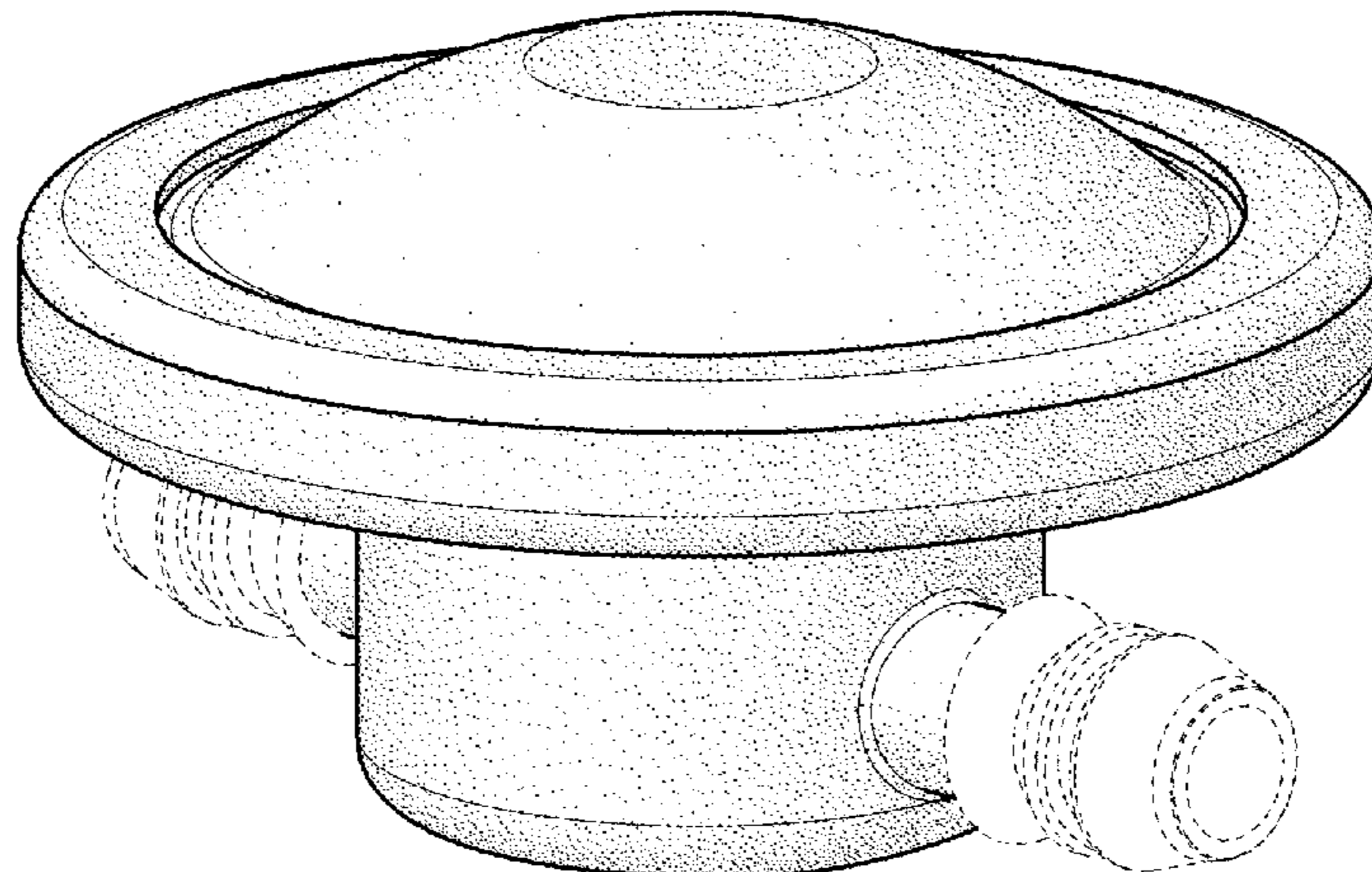
FIG. 1 is a top perspective view of a first example of a pulse
damper showing the new design.
FIG. 2 is a bottom perspective view of the first example of
the pulse damper of FIG. 1.
FIG. 3 is a front view of the first example of the pulse
damper of FIG. 1.
FIG. 4 is a rear view of the first example of the pulse damper
of FIG. 1.
FIG. 5 is a first side view of the first example of the pulse
damper of FIG. 1.
FIG. 6 is a second side view of the first example of the pulse
damper of FIG. 1.
FIG. 7 is a top view of the first example of the pulse damper
of FIG. 1; and,
FIG. 8 is a bottom view of the first example of the pulse
damper S of FIG. 1.

(56) **References Cited**

U.S. PATENT DOCUMENTS

4,186,776 A * 2/1980 Burton F15B 1/165
138/30
4,222,414 A 9/1980 Achener
D271,976 S 12/1983 Brown

1 Claim, 5 Drawing Sheets



(56)

References Cited

U.S. PATENT DOCUMENTS

5,413,468 A * 5/1995 Tuckey F02M 37/0041
417/366

5,516,266 A 5/1996 Talaski

5,562,429 A * 10/1996 Romstad B29C 49/4802
417/540

5,980,221 A * 11/1999 Uffelman F04B 39/0027
417/540

6,062,830 A 5/2000 Kikuchi et al.

6,095,774 A 8/2000 Tanaka et al.

6,155,235 A * 12/2000 Kilgore F02M 37/0041
123/467

6,223,725 B1 5/2001 Onishi et al.

6,230,685 B1 * 5/2001 Kilgore F02M 37/0041
123/467

D459,364 S 6/2002 Brink et al.

6,491,065 B1 12/2002 Rogers

D478,093 S 8/2003 Bentley

D499,794 S 12/2004 Comer

6,901,914 B1 6/2005 Becene et al.

6,901,964 B2 6/2005 Kippe et al.

7,124,738 B2 * 10/2006 Usui F02M 55/04
123/446

7,165,534 B2 1/2007 Usui et al.

D558,794 S 1/2008 Kabayama et al.

D604,332 S 11/2009 Tokunaga et al.

D616,903 S 6/2010 Kimura et al.

8,366,421 B2 2/2013 Munakata et al.

D721,390 S 1/2015 Walter et al.

D736,265 S 8/2015 Walter et al.

D763,321 S * 8/2016 Ostrosky D15/7

* cited by examiner

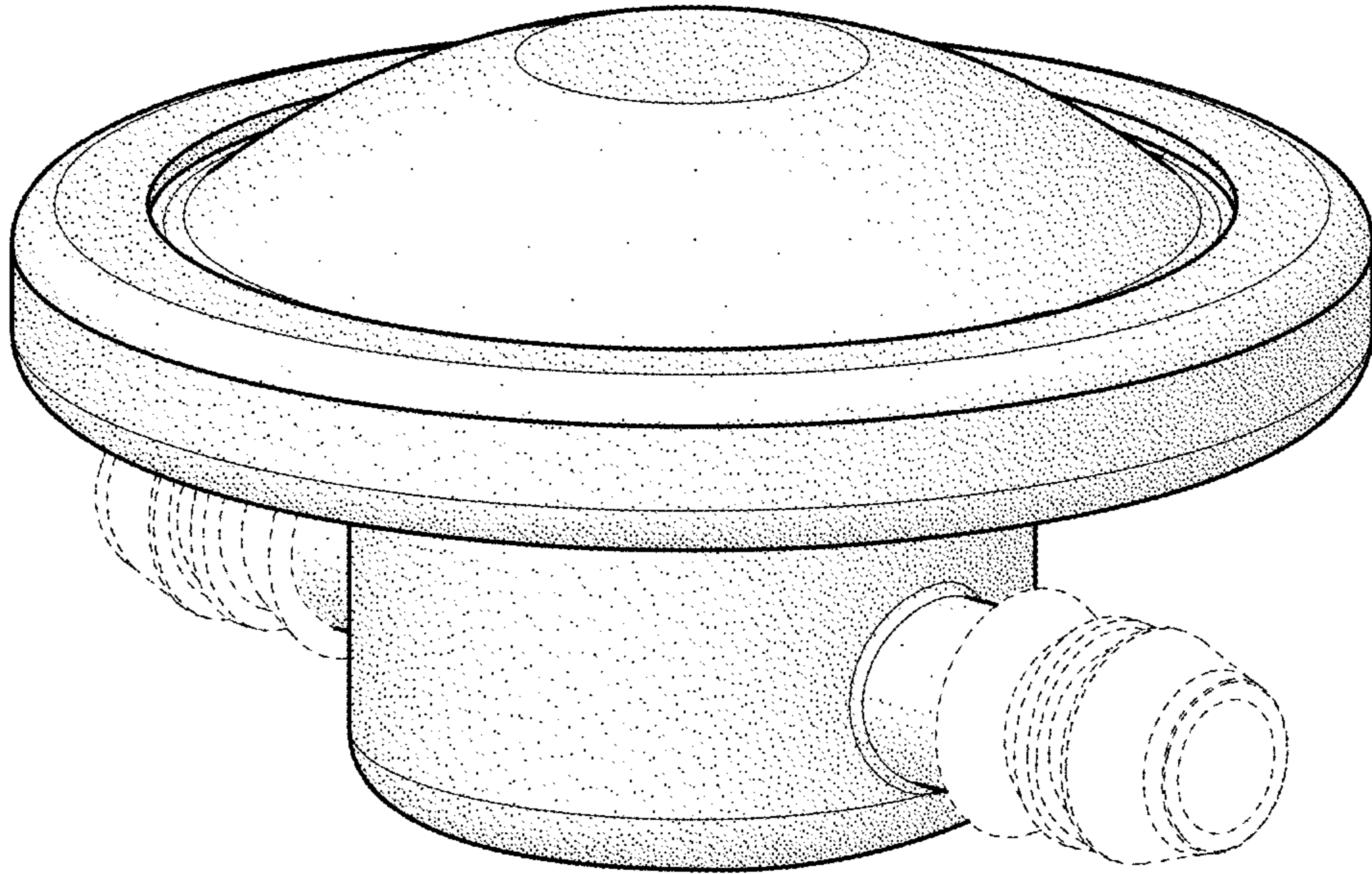


FIG. 1

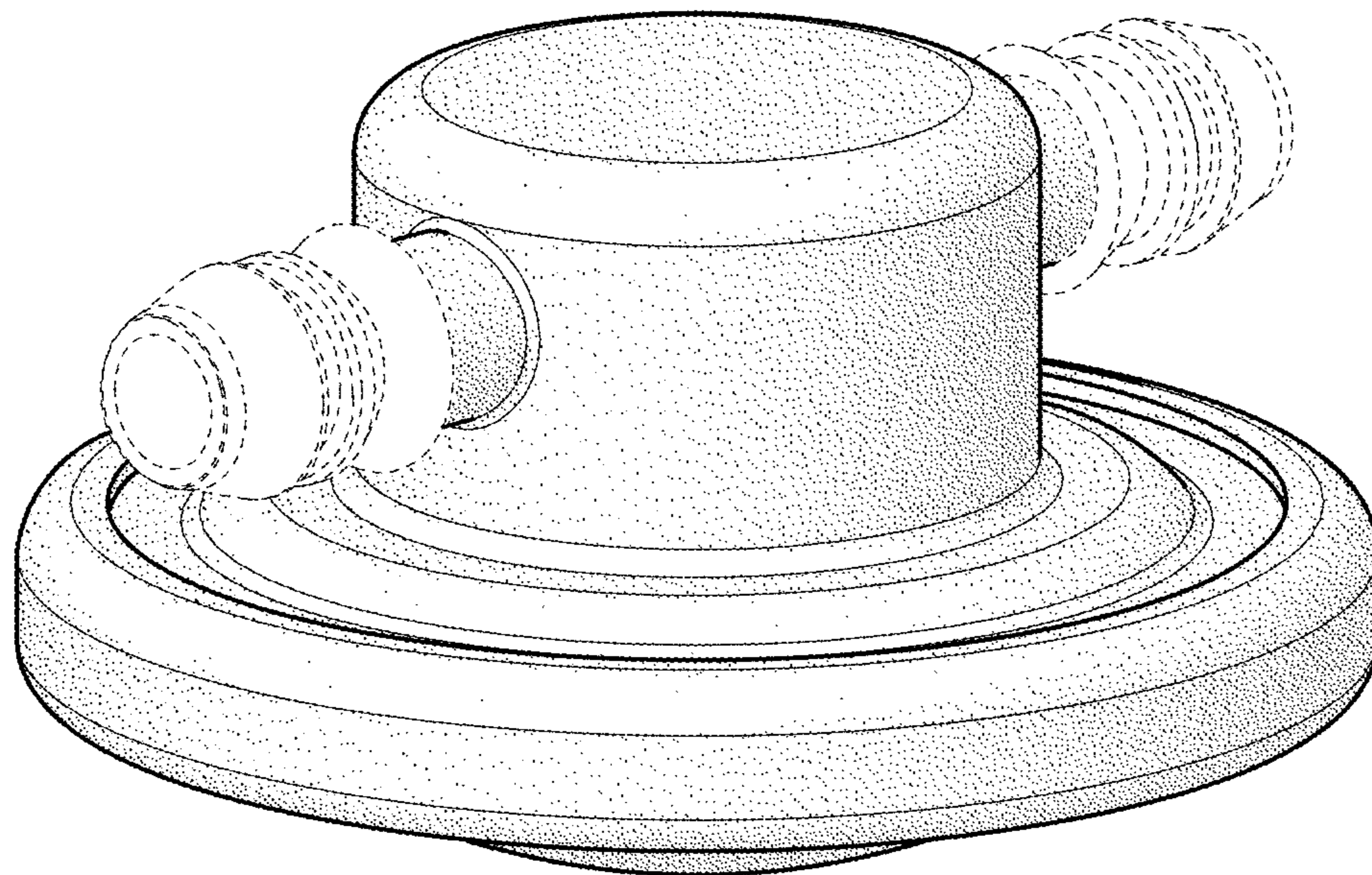


FIG. 2

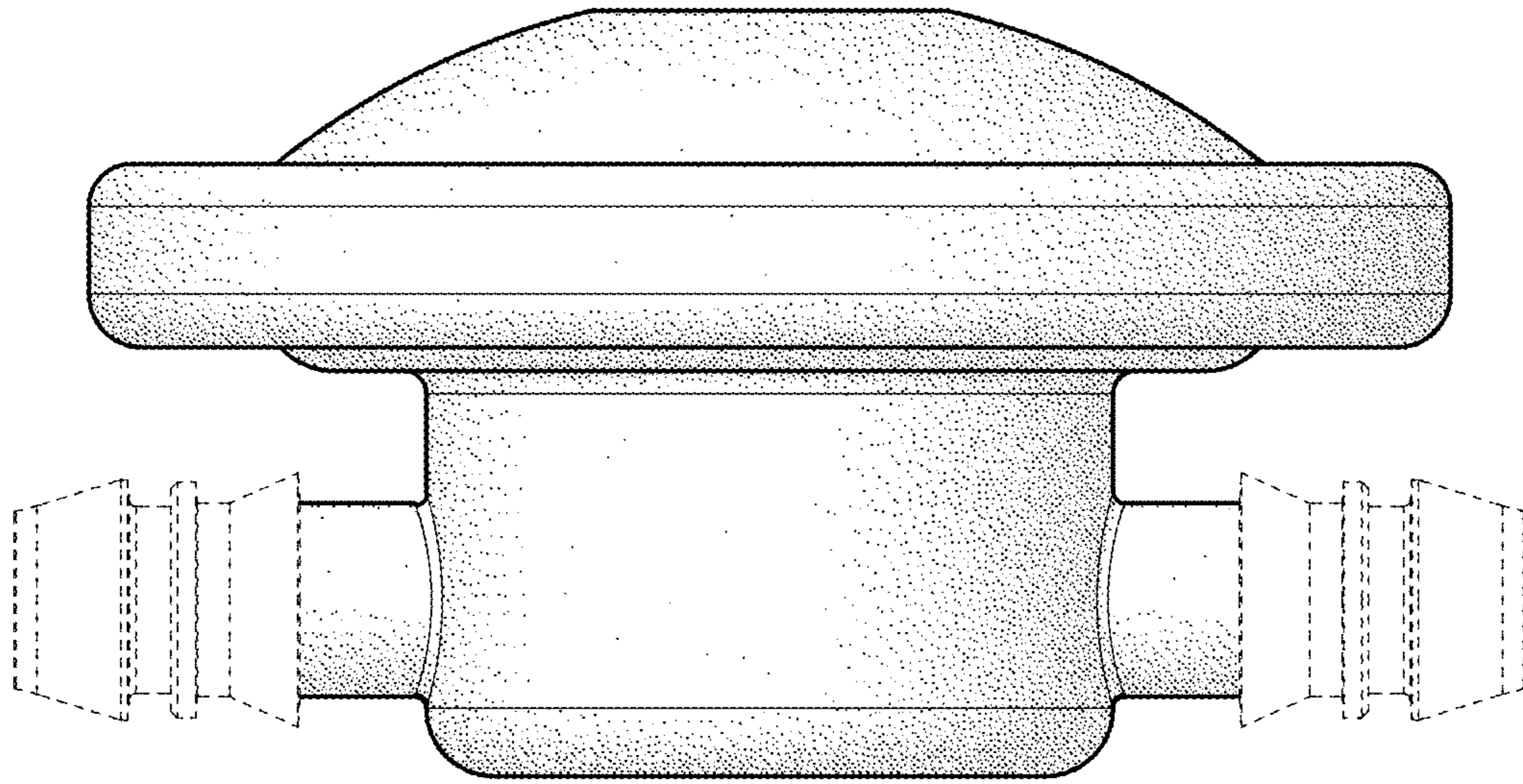


FIG. 3

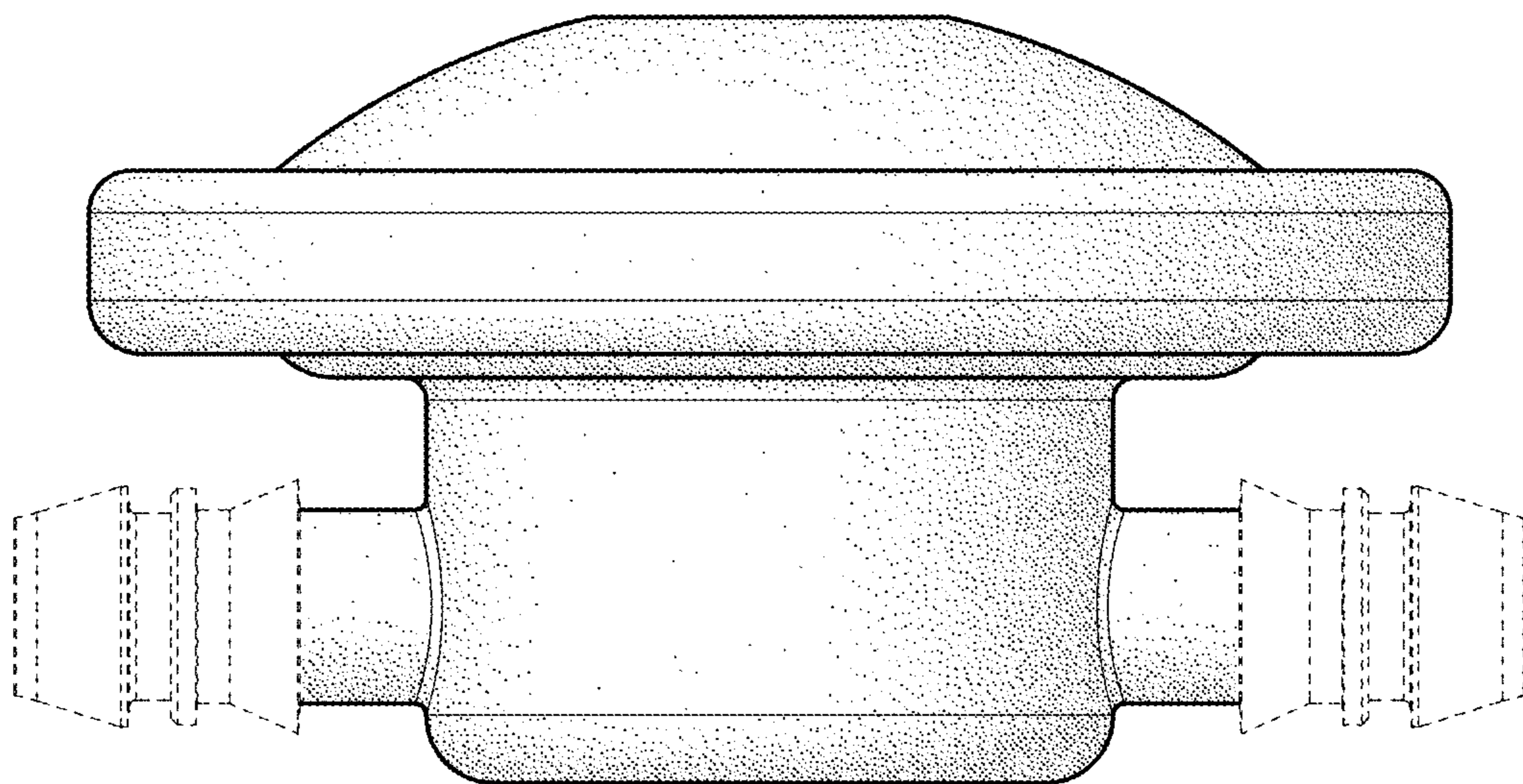


FIG. 4

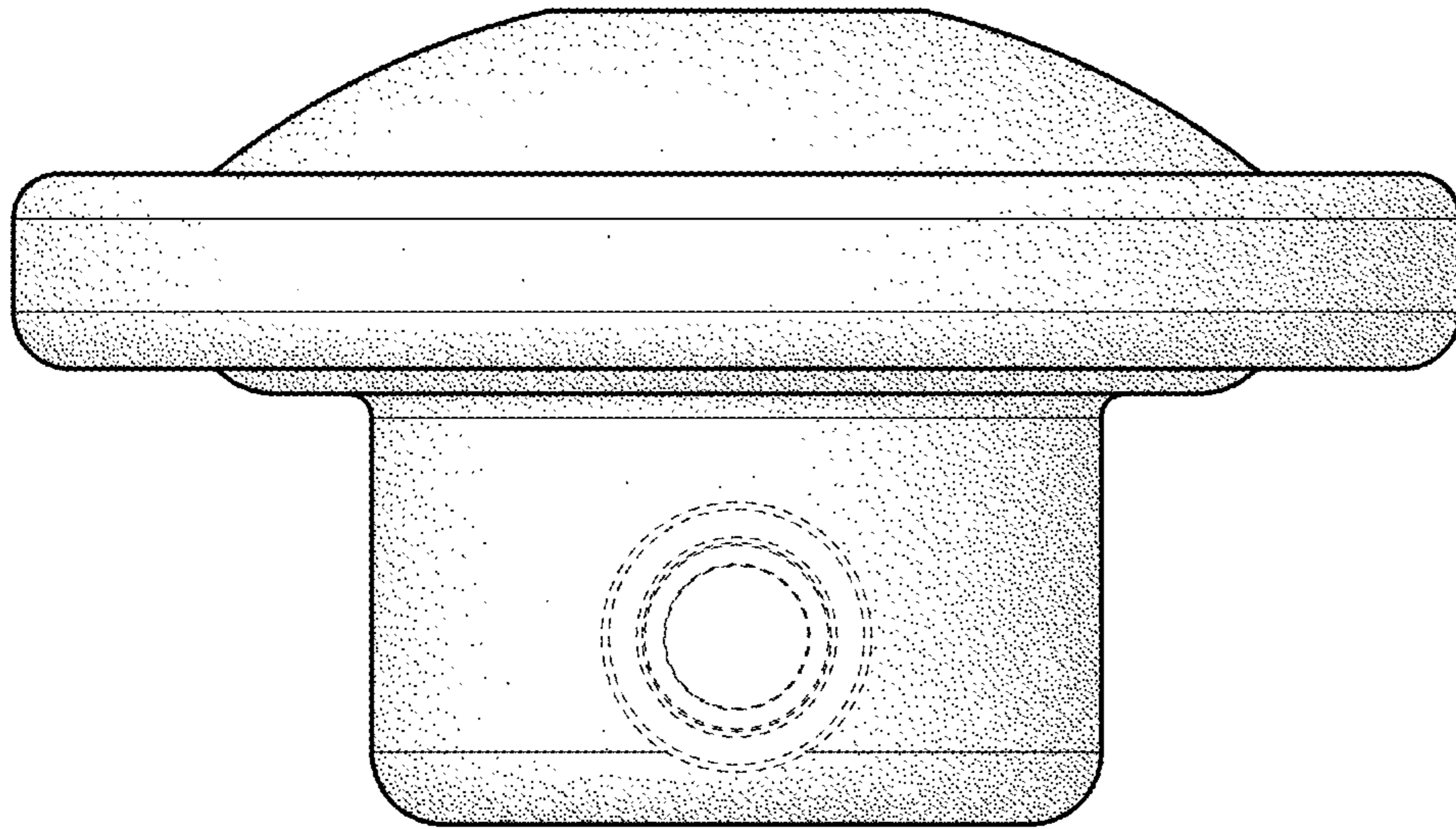


FIG. 5

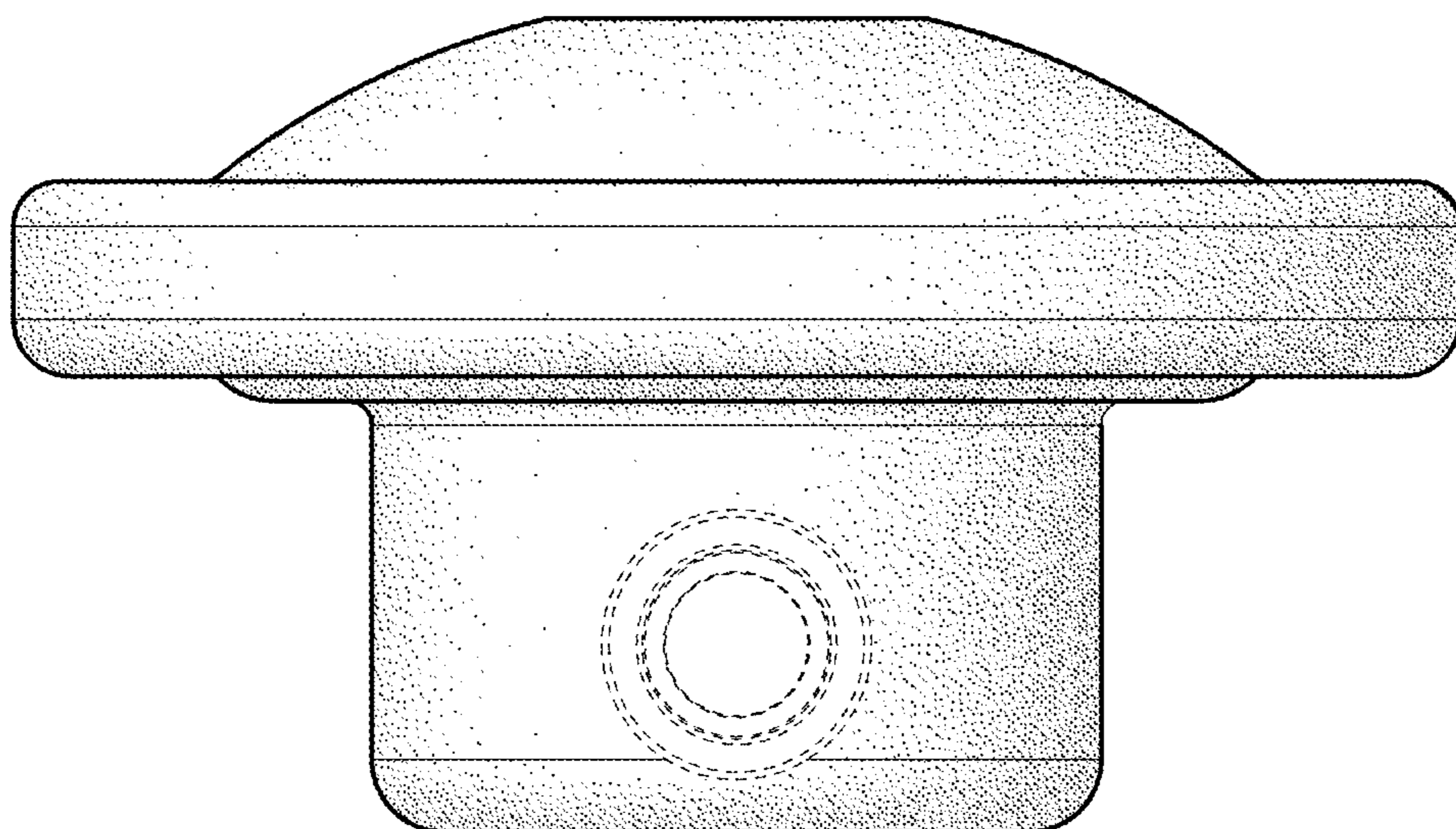


FIG. 6

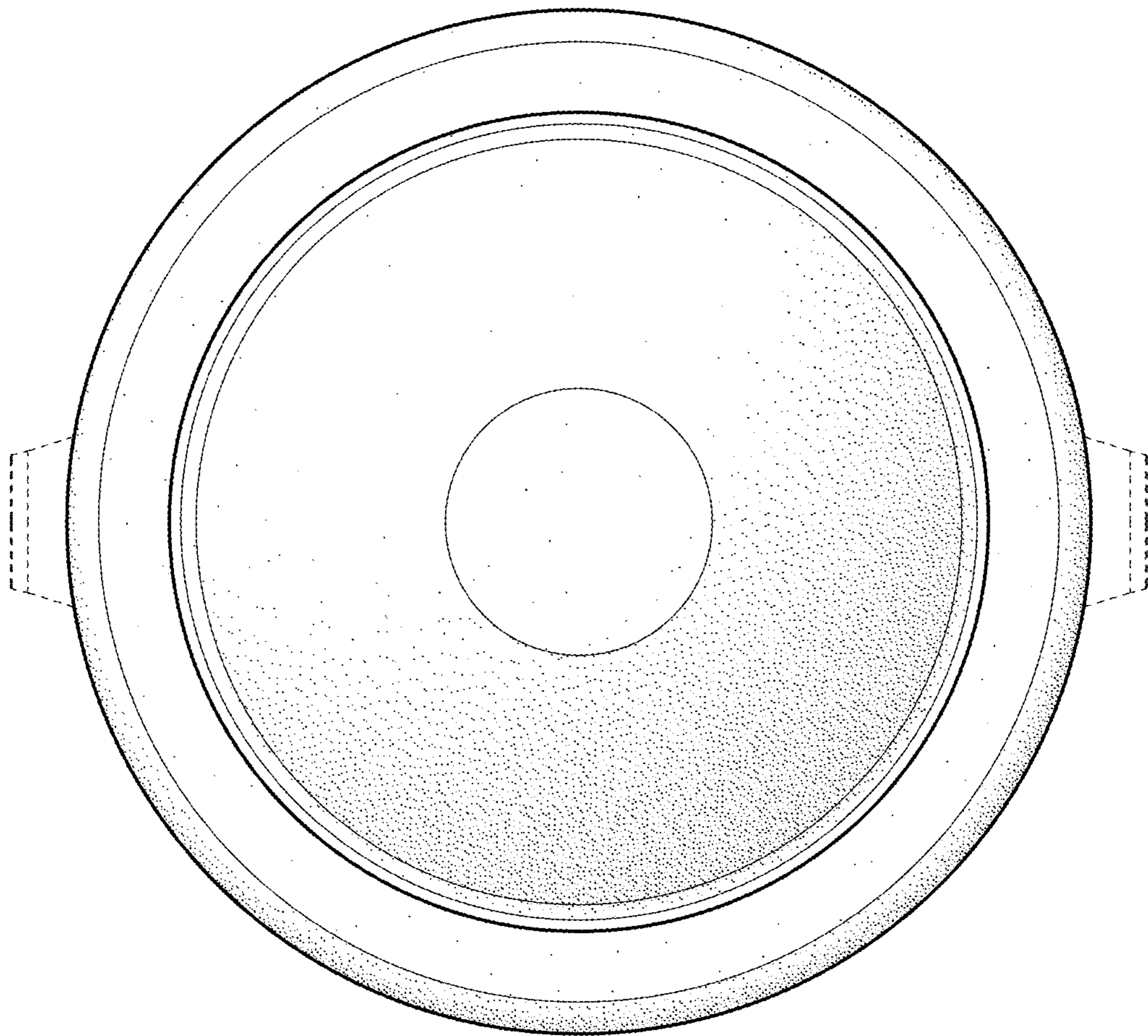


FIG. 7

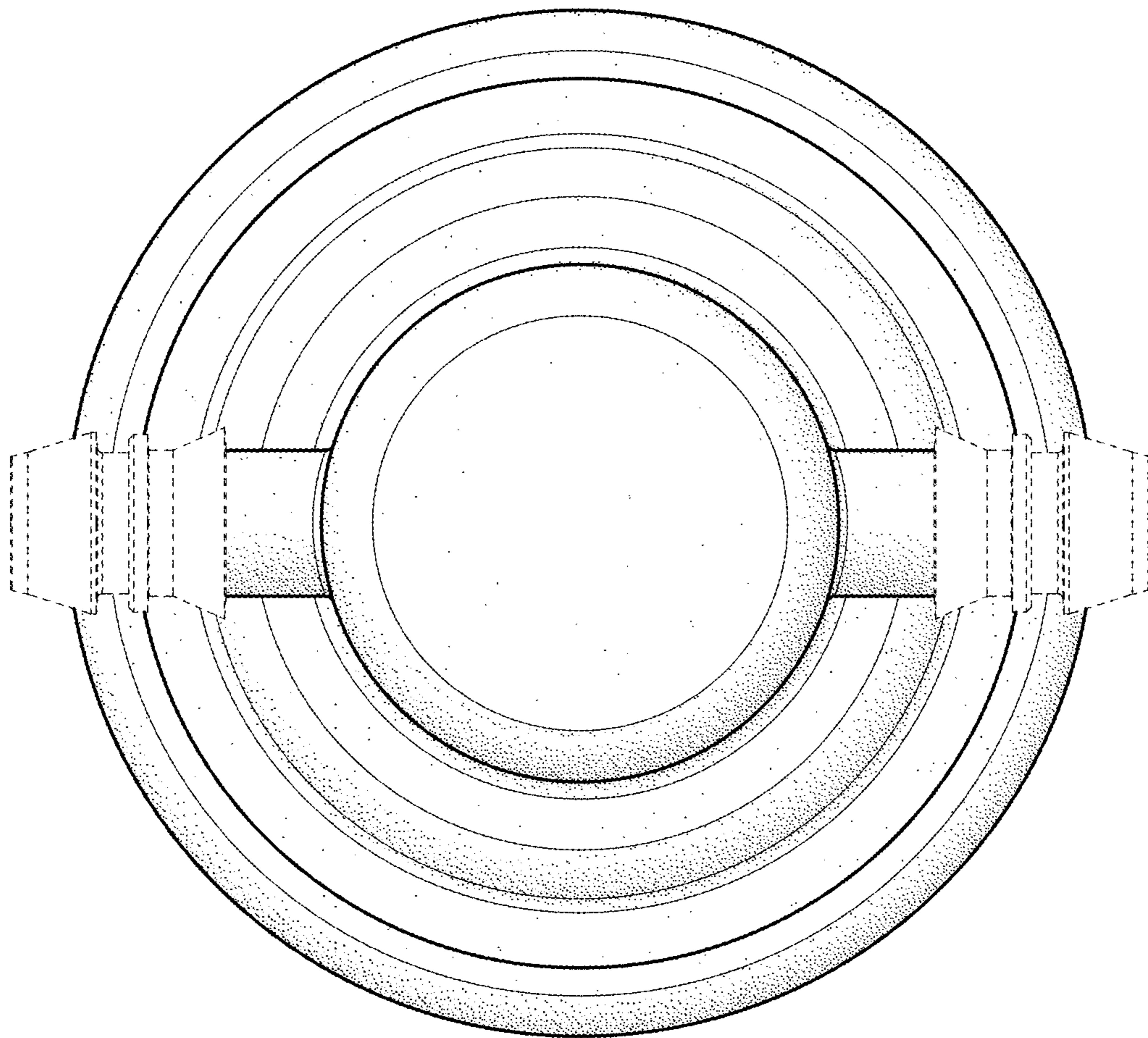


FIG. 8