



US00D797154S

(12) **United States Design Patent**
Fujiwara

(10) **Patent No.:** **US D797,154 S**

(45) **Date of Patent:** **** Sep. 12, 2017**

(54) **DIAPHRAGM PUMP**

(71) Applicant: **Tacmina Corporation**, Osaka (JP)

(72) Inventor: **Nobuhiko Fujiwara**, Hyogo (JP)

(73) Assignee: **Tacmina Corporation**, Osaka (JP)

(**) Term: **15 Years**

(21) Appl. No.: **29/558,962**

(22) Filed: **Mar. 23, 2016**

(30) **Foreign Application Priority Data**

Sep. 29, 2015 (JP) 2015-021312

(51) **LOC (10) Cl.** **15-02**

(52) **U.S. Cl.**
USPC **D15/7**

(58) **Field of Classification Search**
USPC D15/7-9; D23/231, 232, 225; 417/60,
417/235, 265, 321, 355, 358, 363, 359,
417/410.1, 415-416, 405, 900, 269, 539,
417/234; 60/408, 412; 184/26-37;
415/140-147; 123/495, 509; 137/565.34
CPC F02M 37/04; F02M 37/14; F04B 53/92;
F04B 1/005
See application file for complete search history.

(56) **References Cited**

U.S. PATENT DOCUMENTS

- D263,302 S * 3/1982 Terajima D15/7
- D282,547 S * 2/1986 McCombs D15/199
- D296,556 S * 7/1988 Hirakawa D15/7
- D301,038 S * 5/1989 Kingston D15/7
- D315,739 S * 3/1991 Lannoch D15/7
- D382,277 S * 8/1997 Feitel D15/7
- D391,270 S * 2/1998 Chowdhury D15/7
- D498,766 S * 11/2004 Iwata D15/7

- D499,116 S * 11/2004 Iwata D15/7
- D512,441 S * 12/2005 Iwata D15/7
- D733,190 S * 6/2015 West D15/7
- D742,928 S * 11/2015 West D15/7

OTHER PUBLICATIONS

Catalogue of Pumps and Equipment for Water Treatment, p. 27
(Design Division Publicly Known Material No. HC17066854)
(Publicly known Date: Jan. 27, 2006).

Motor-driven Metering Pumps , p. 7, FXMW/ FYMW/ ZMW
(Design Division Publicly Known Material No. HC26020209)
(Publicly known Date: Dec. 5, 2014).

* cited by examiner

Primary Examiner — Ralf Seifert

(74) *Attorney, Agent, or Firm* — The Webb Law Firm

(57) **CLAIM**

The ornamental design for a diaphragm pump, as shown and described.

DESCRIPTION

FIG. 1 is a perspective view of a diaphragm pump showing our new design;

FIG. 2 is a second perspective view thereof;

FIG. 3 is a third perspective view thereof;

FIG. 4 is a fourth perspective view thereof;

FIG. 5 is a front view thereof;

FIG. 6 is a rear view thereof;

FIG. 7 is a top view thereof;

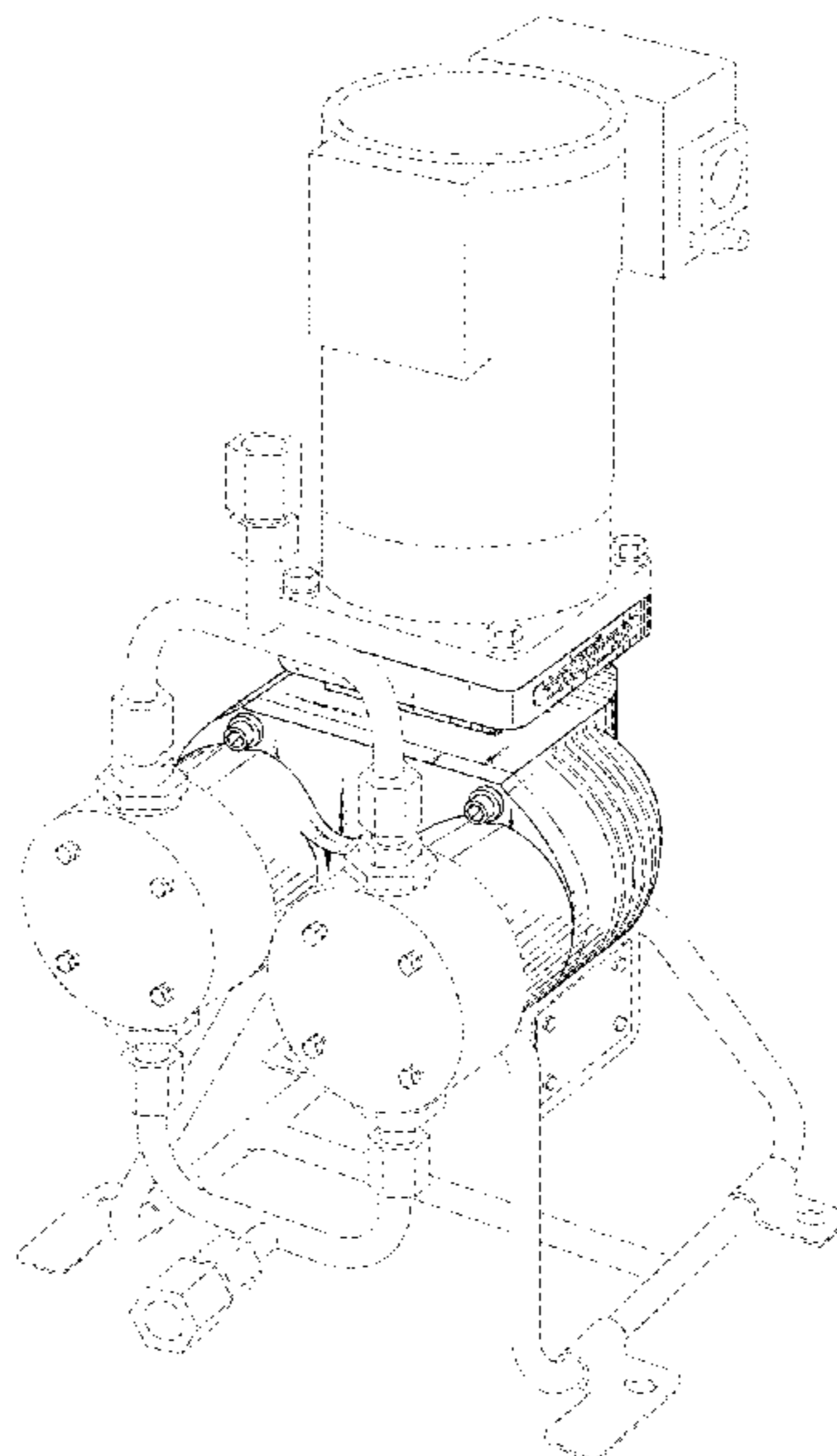
FIG. 8 is a bottom view thereof;

FIG. 9 is a right side view thereof; and,

FIG. 10 is a left side view thereof.

The portions of the diaphragm pump shown in broken lines form no part of the claimed design.

1 Claim, 10 Drawing Sheets



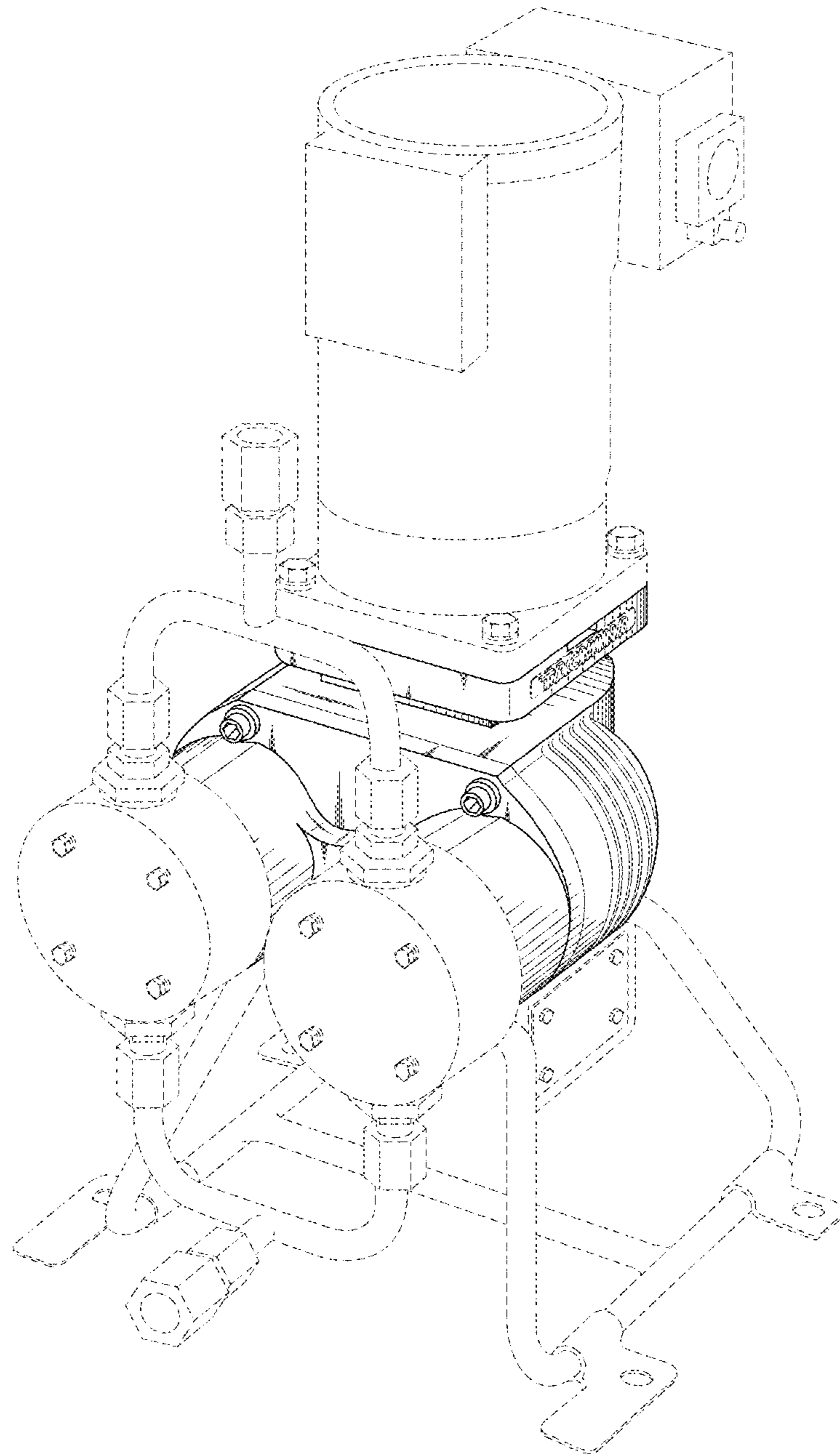


FIG. 1

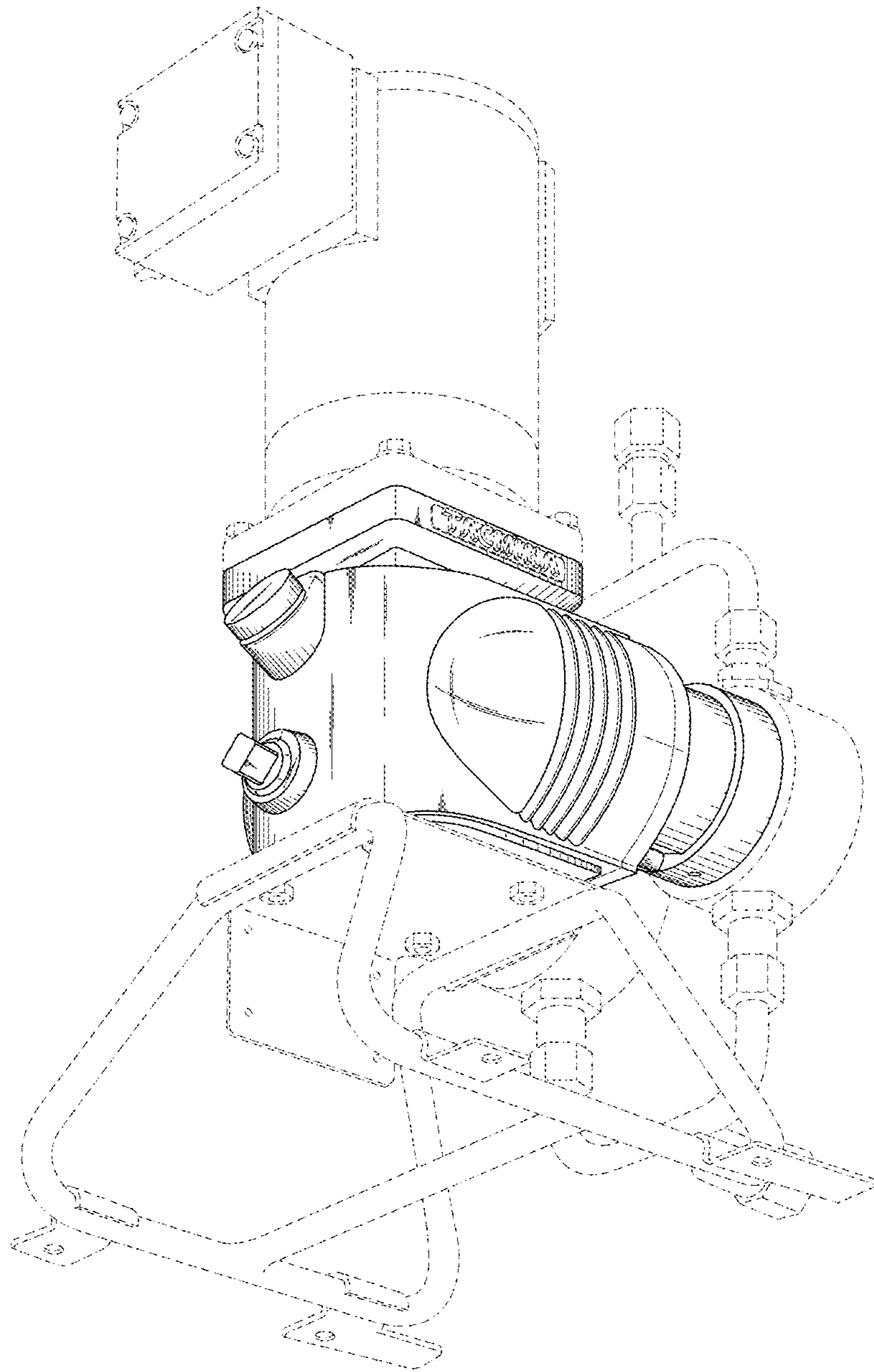


FIG. 2

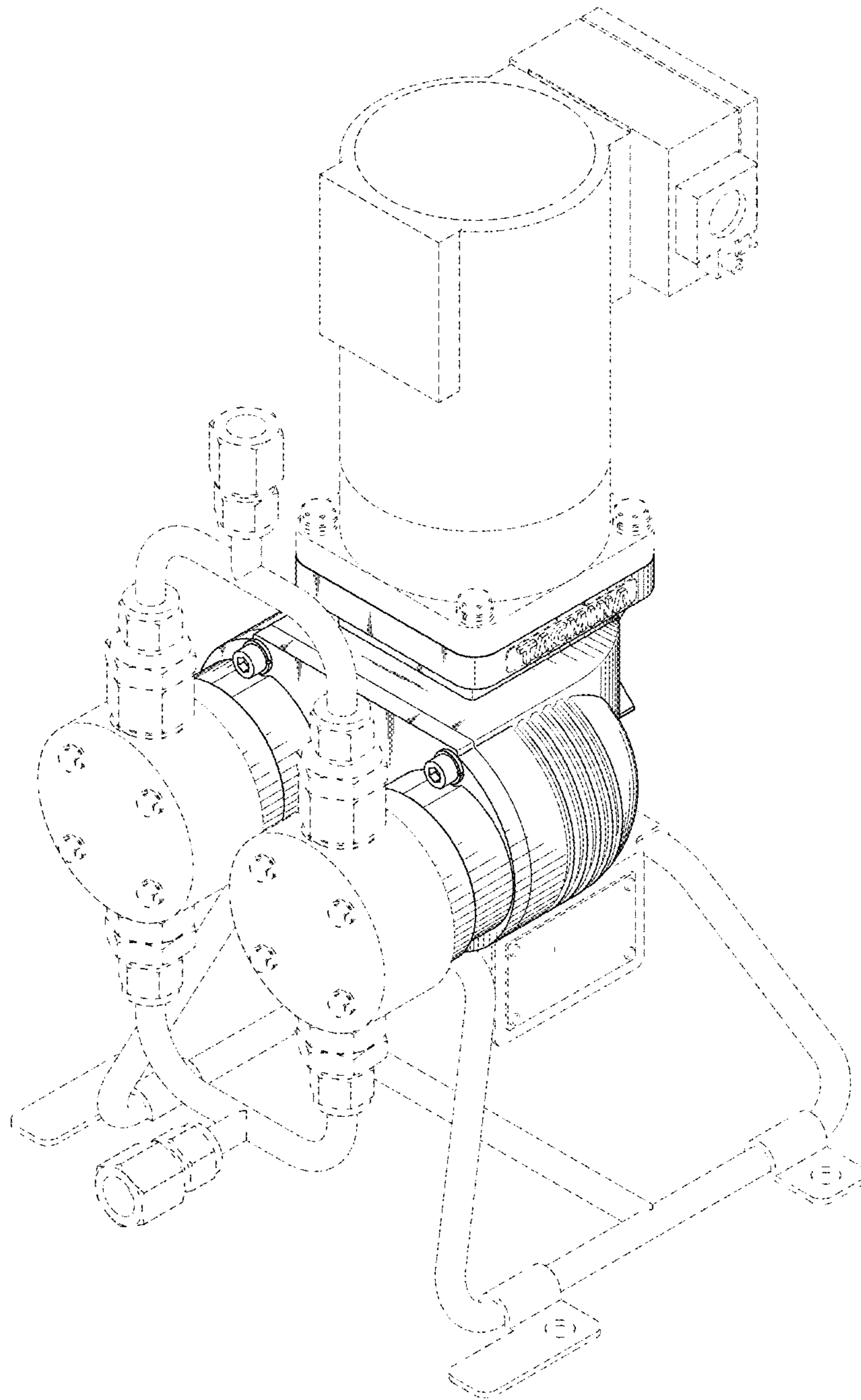


FIG. 3

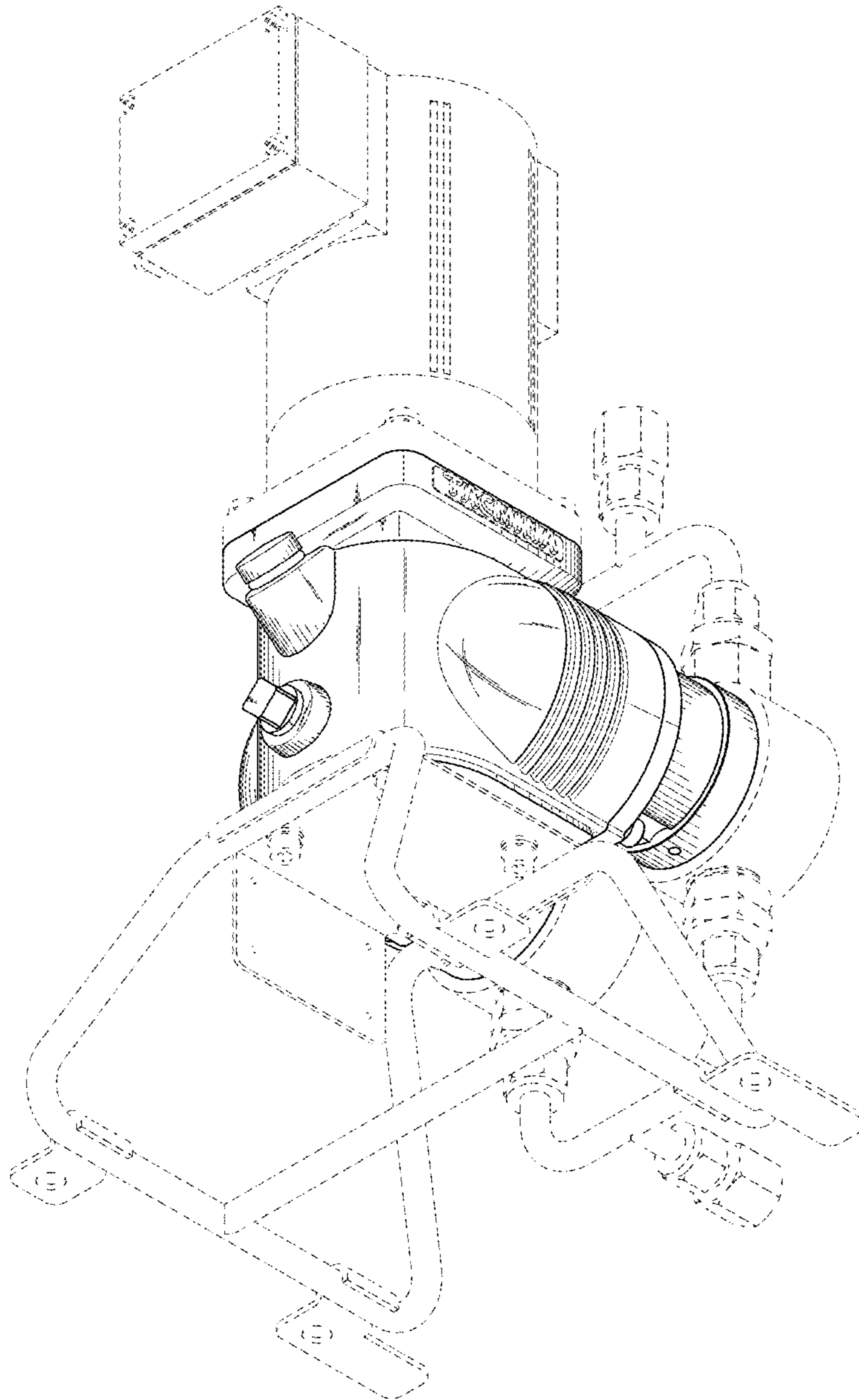


FIG. 4

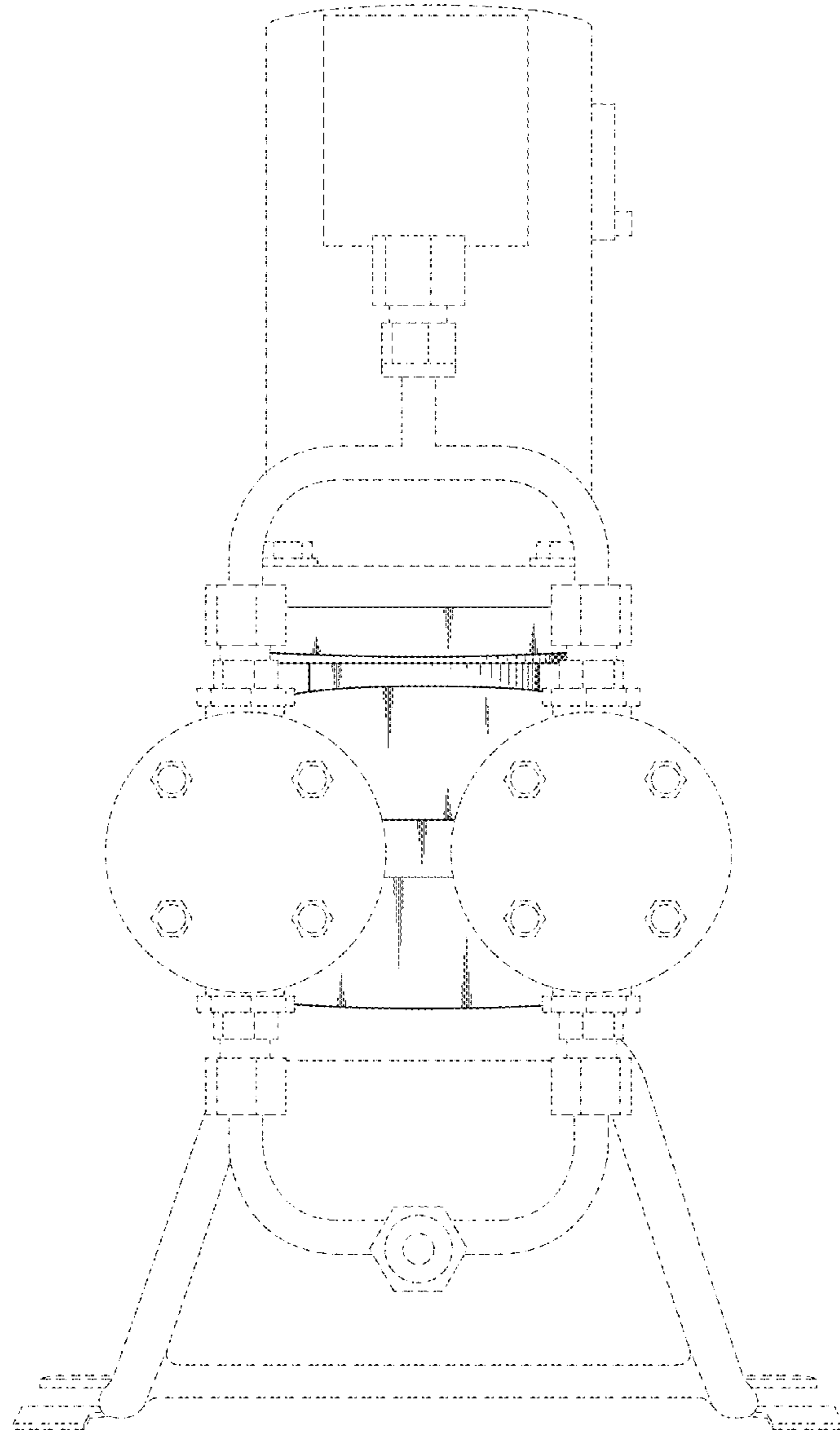


FIG. 5

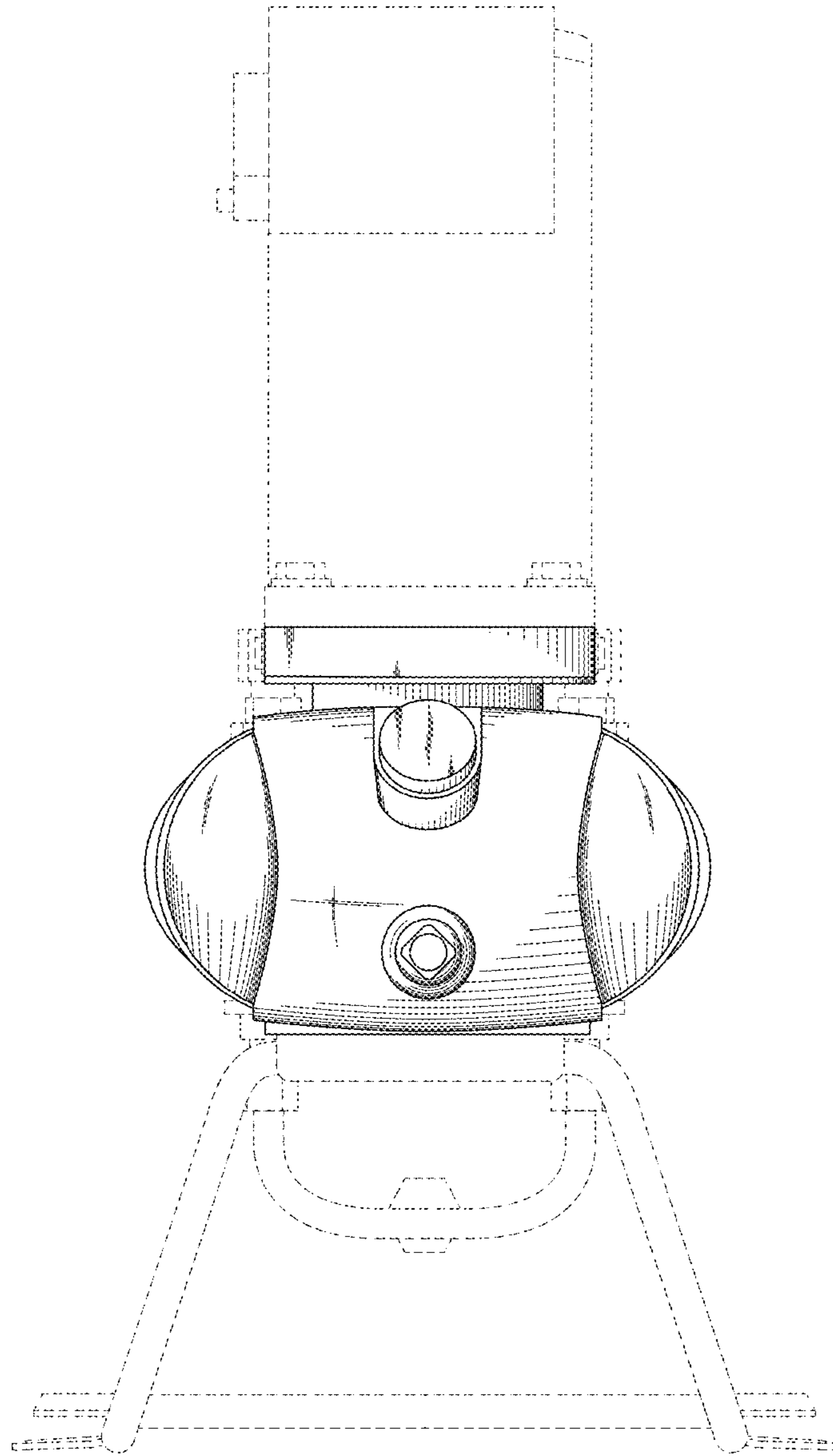


FIG. 6

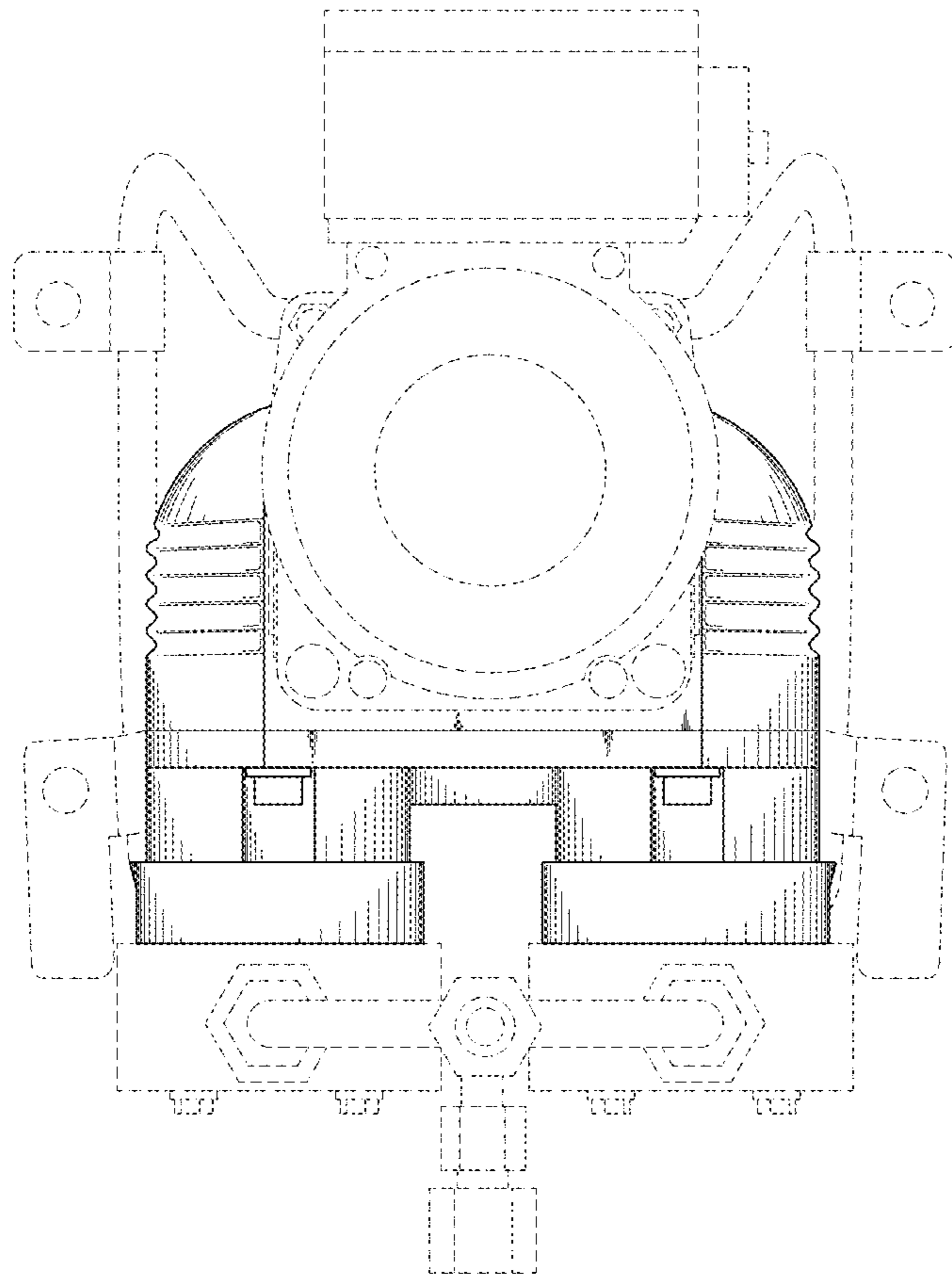


FIG. 7

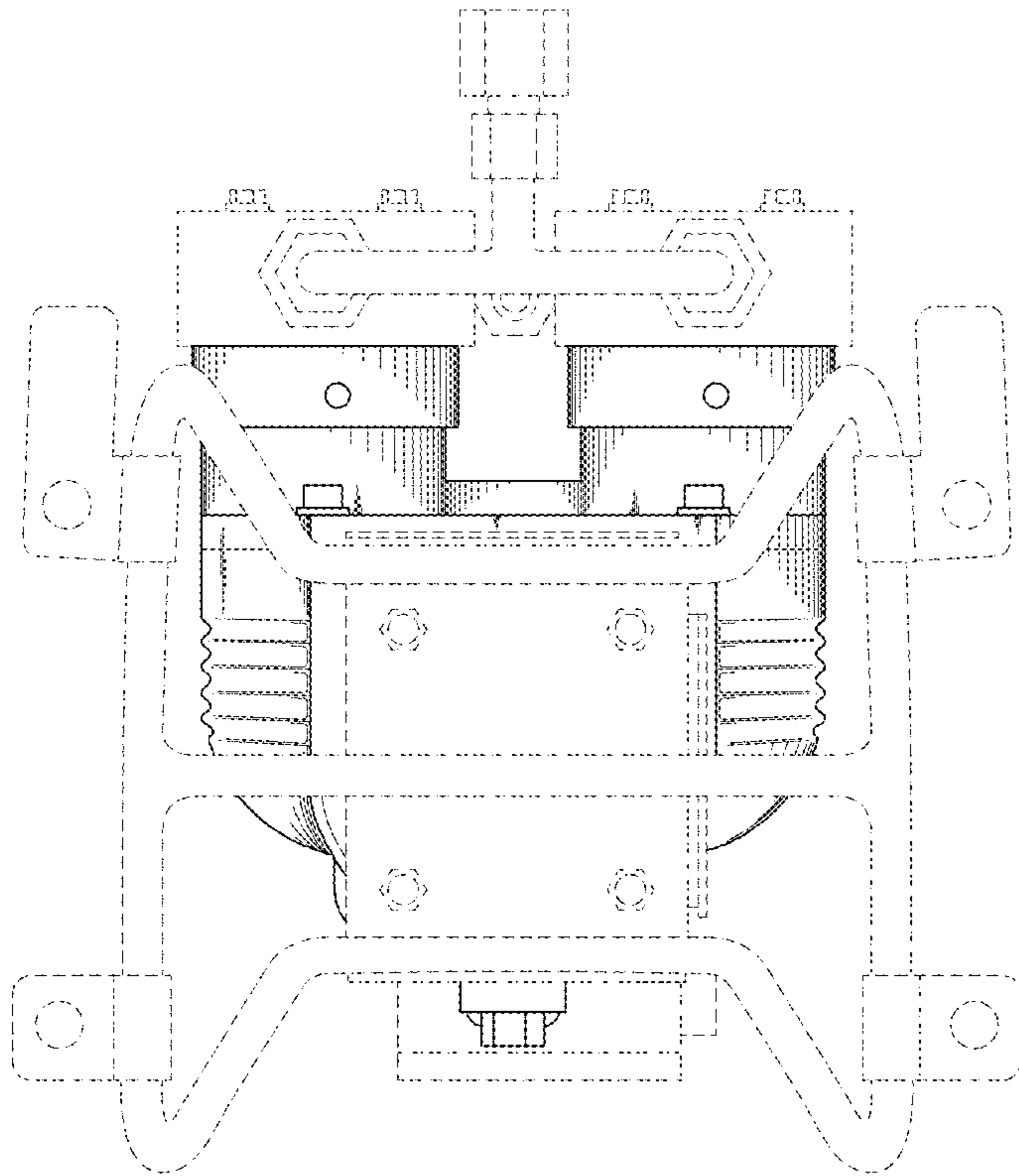


FIG. 8

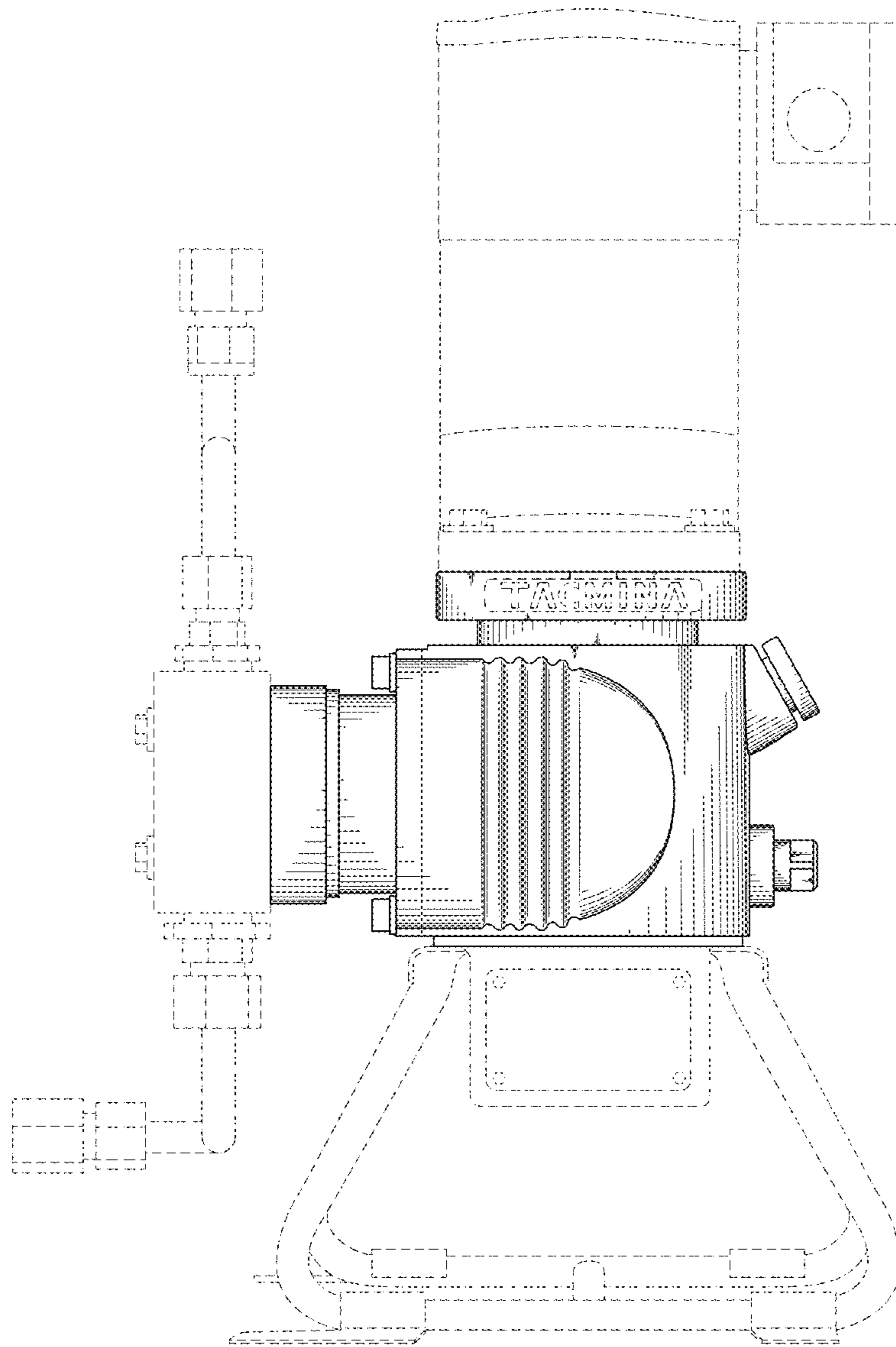


FIG. 9

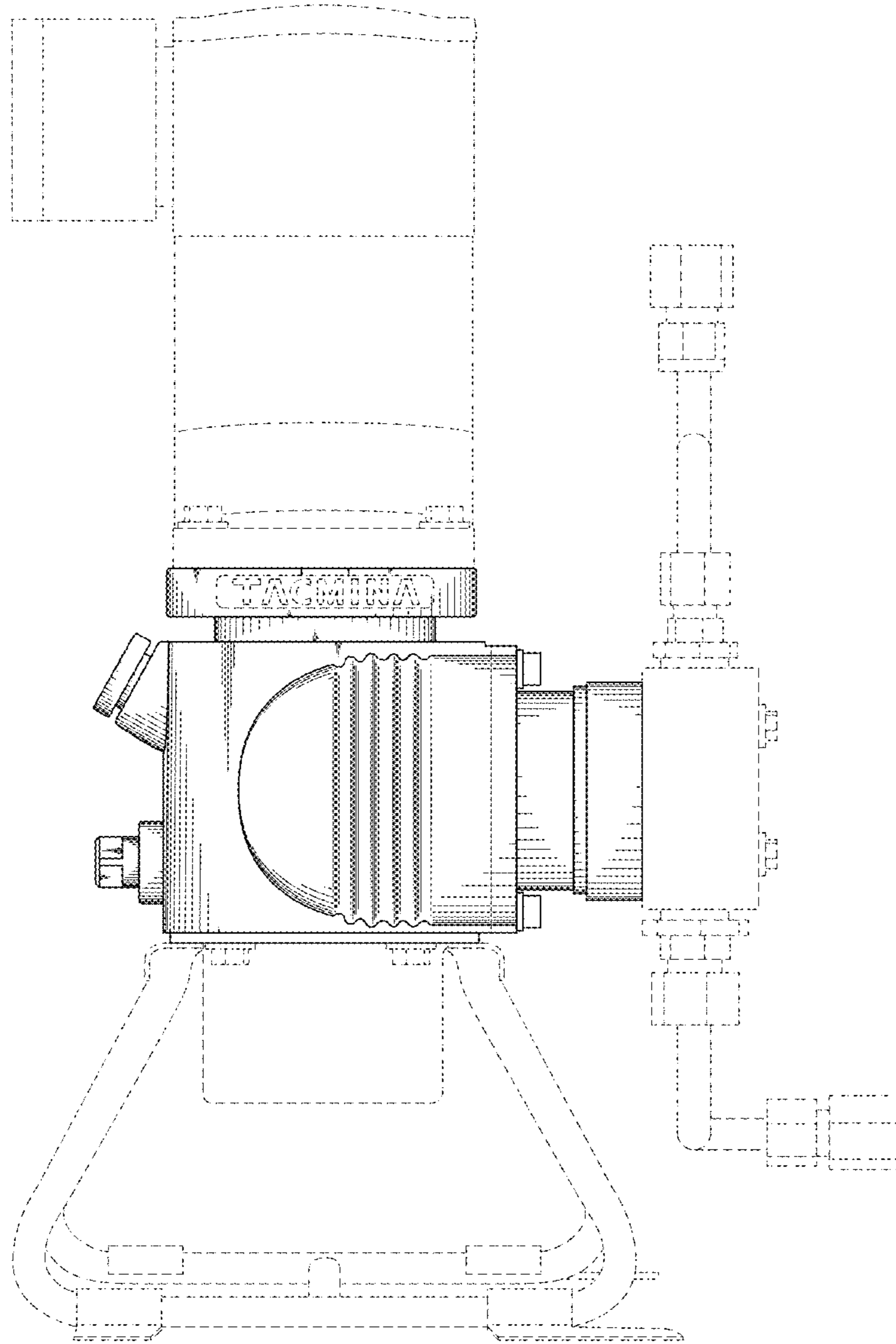


FIG. 10