



US00D797153S

(12) **United States Design Patent** (10) **Patent No.:** **US D797,153 S**  
**Kencevski** (45) **Date of Patent:** **\*\* Sep. 12, 2017**

- (54) **ROLLER ROCKER**
- (71) Applicant: **Jason Kencevski**, Sydney (AU)
- (72) Inventor: **Jason Kencevski**, Sydney (AU)
- (\*\*) Term: **15 Years**
- (21) Appl. No.: **29/571,028**
- (22) Filed: **Jul. 13, 2016**
- (51) **LOC (10) Cl.** ..... **15-01**
- (52) **U.S. Cl.**  
USPC ..... **D15/5**
- (58) **Field of Classification Search**  
USPC ..... D15/1-6  
CPC ..... F01L 2101/00; F01L 13/0005; F01L 13/0036; F01L 1/026; F01L 1/14; F01L 1/18; F01L 1/185; F01L 1/2405; F01L 1/344; F01L 2001/054; F01L 2001/186; F01L 2013/001; F01L 2103/00; F01L 2105/00; F01L 2105/02; F01L 2107/00; F01L 2800/11; F01L 2810/03; F01L 2820/043; F01L 9/021; A23K 20/163  
See application file for complete search history.

- (56) **References Cited**  
U.S. PATENT DOCUMENTS  
7,240,652 B2 \* 7/2007 Roerig ..... F01L 1/185  
123/90.16  
D574,853 S \* 8/2008 Harbert ..... D15/5  
D587,284 S \* 2/2009 Stopanio ..... D15/5  
7,761,988 B2 \* 7/2010 Rorig ..... B21D 53/84  
29/557

- 7,882,814 B2 \* 2/2011 Spath ..... F01L 1/185  
123/90.39
- D647,116 S \* 10/2011 Omi ..... D15/139
- D647,117 S \* 10/2011 Omi ..... D15/139
- D750,670 S \* 3/2016 McCarthy, Jr. .... D15/5
- D757,823 S \* 5/2016 Yee ..... D15/5
- 2005/0016480 A1 \* 1/2005 Ferracin ..... F01L 1/185  
123/90.16
- 2007/0039573 A1 \* 2/2007 Deierlein ..... F01L 1/185  
123/52.1
- 2007/0113809 A1 \* 5/2007 Harman ..... F01L 1/185  
123/90.16

\* cited by examiner

*Primary Examiner* — Mitchell Siegel  
*Assistant Examiner* — Khawaja Anwar  
(74) *Attorney, Agent, or Firm* — Integral Patent Associates; Laurence J. Shaw

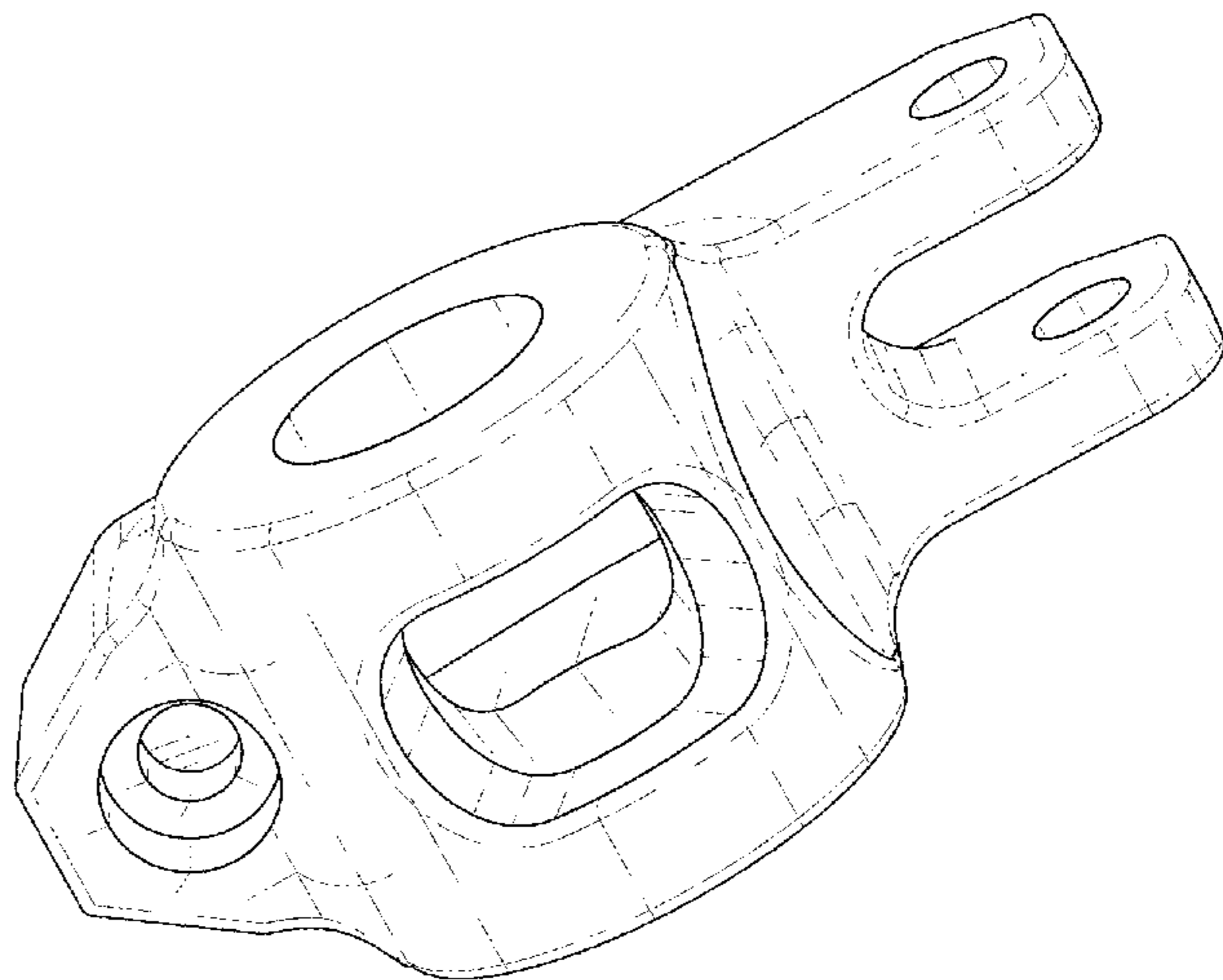
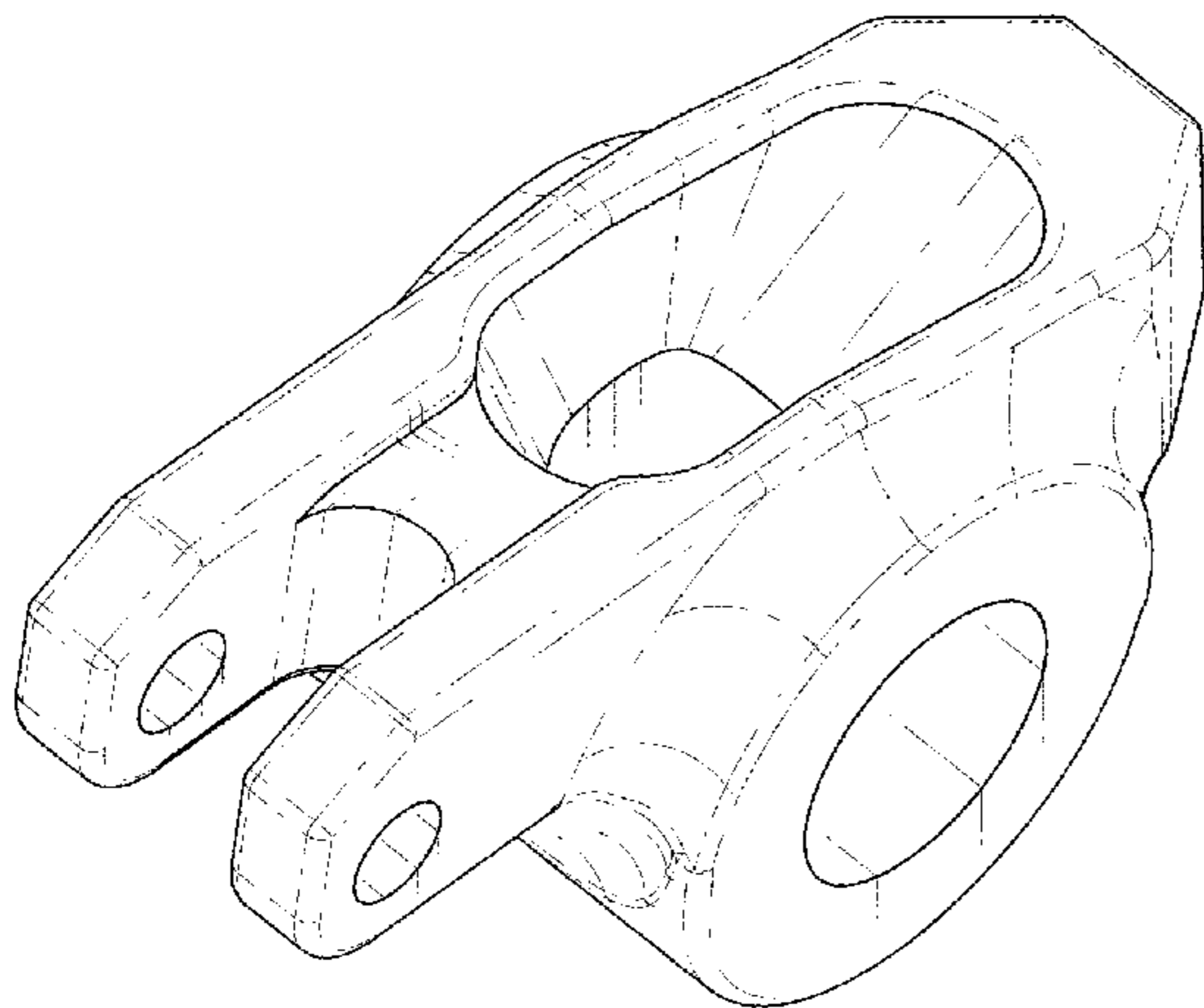
(57) **CLAIM**

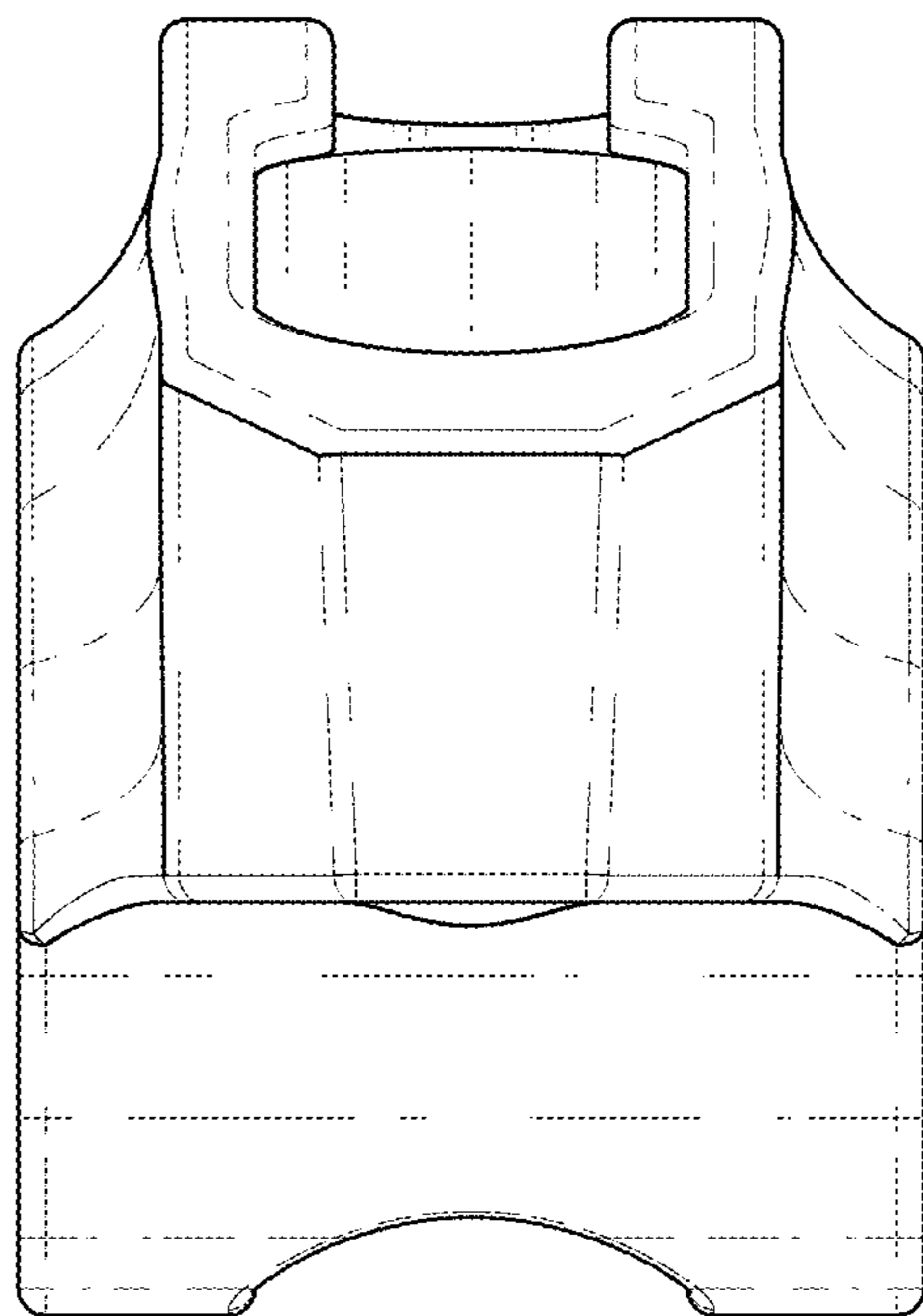
I claim the ornamental design for a roller rocker, as shown and described.

**DESCRIPTION**

FIG. 1 shows a back view of a roller rocker showing my new design;  
FIG. 2 shows a top view thereof;  
FIG. 3 shows a left side view thereof, the left side view being a mirror image;  
FIG. 4 shows a front view thereof;  
FIG. 5 shows a bottom view thereof;  
FIG. 6 shows a perspective top, front, right view thereof; and,  
FIG. 7 shows a perspective bottom, left view thereof.

**1 Claim, 7 Drawing Sheets**





*FIG. 1*

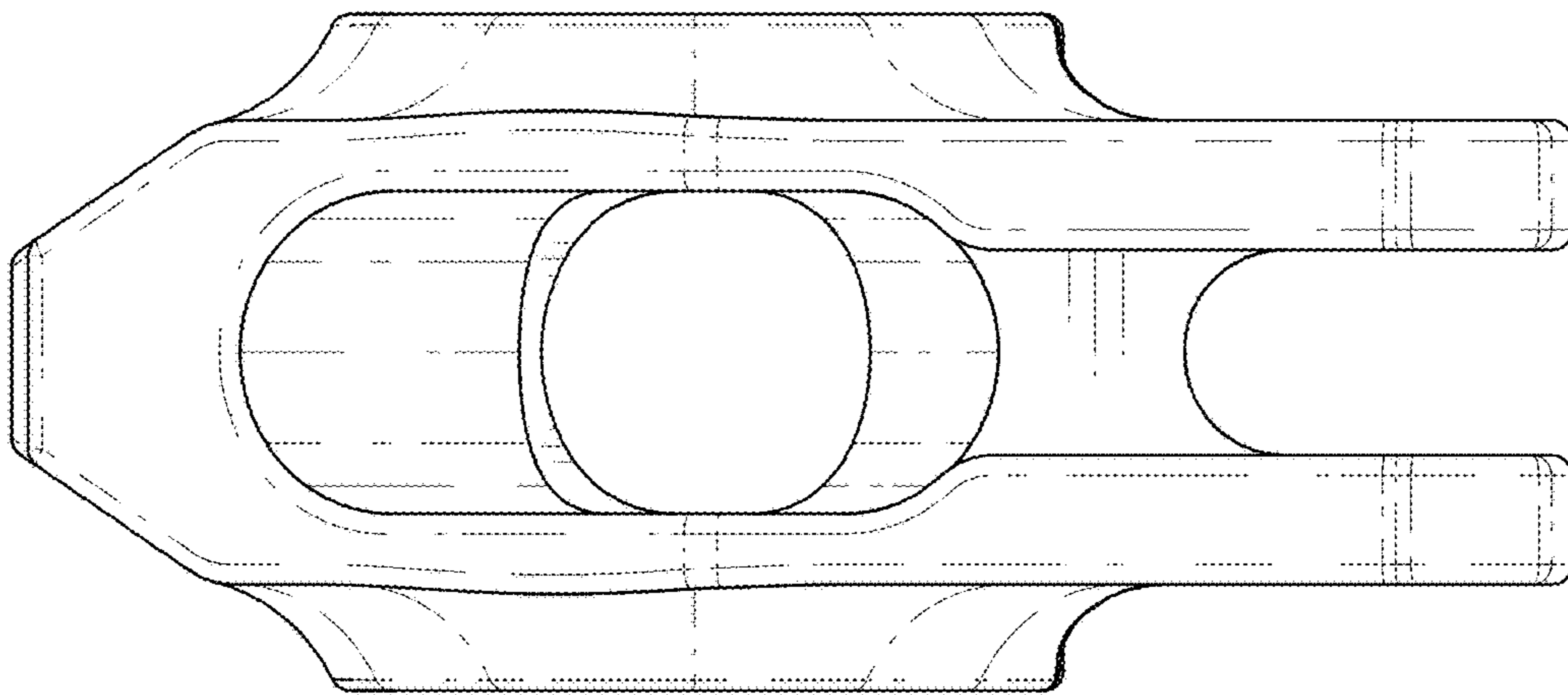
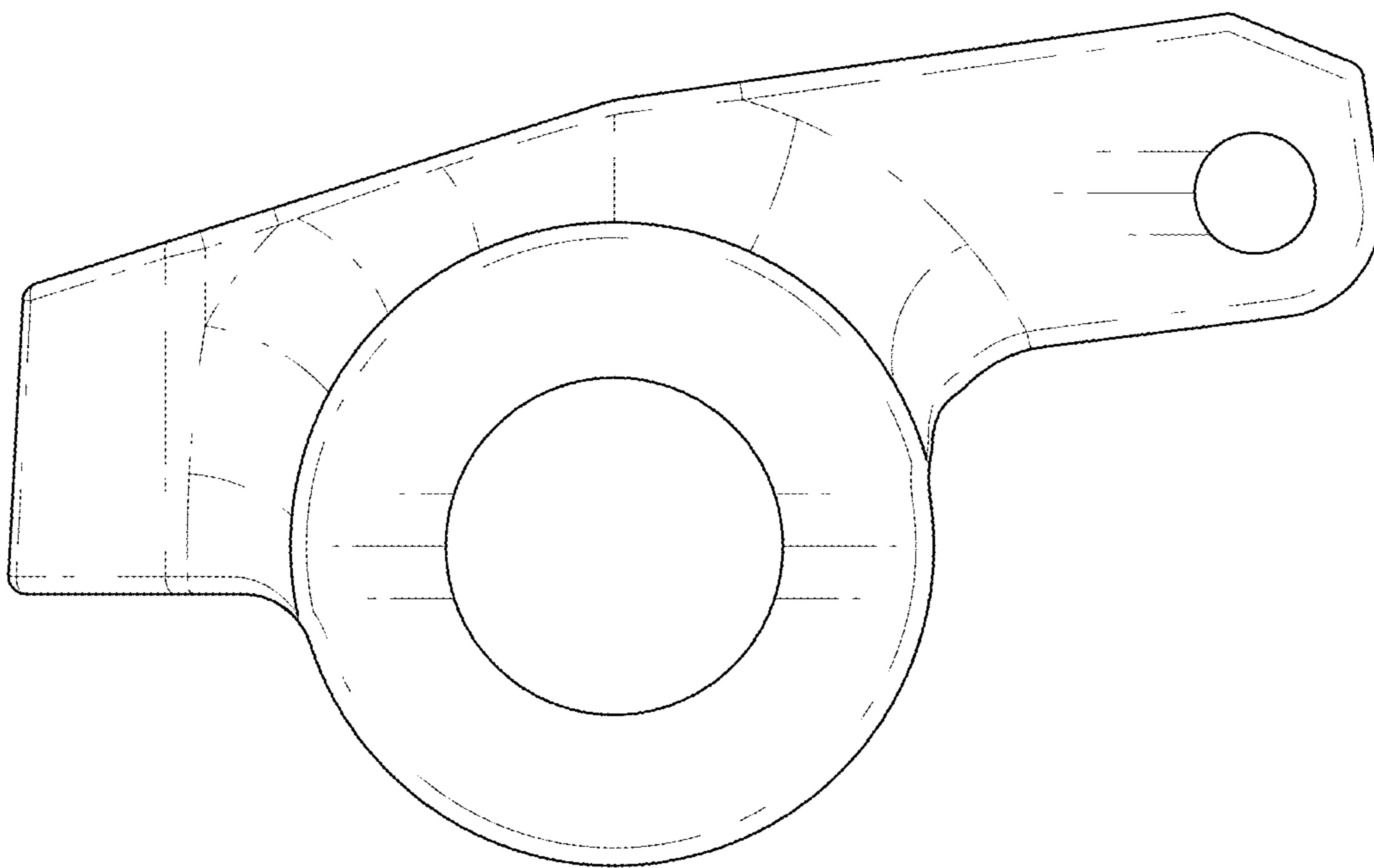
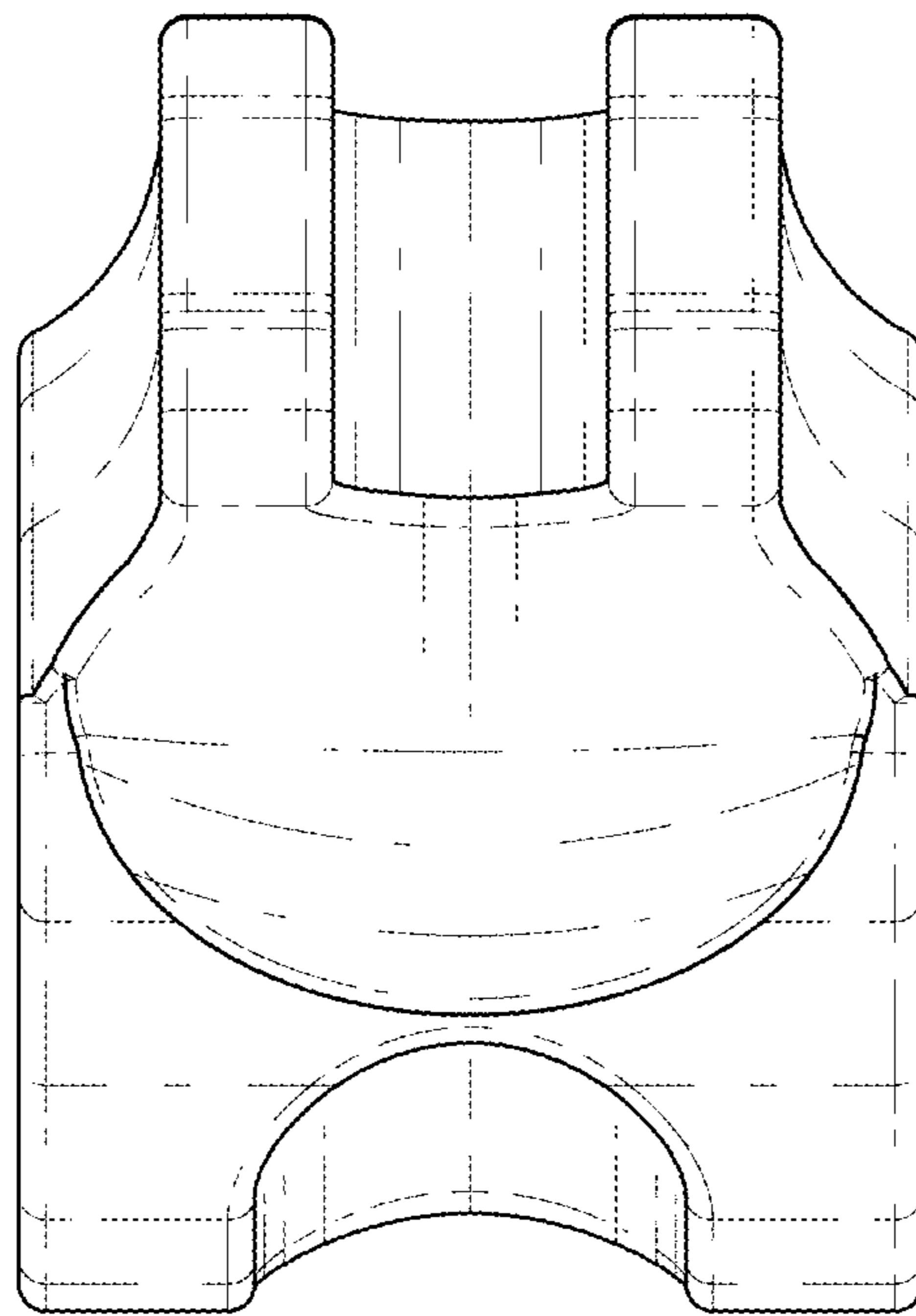


FIG. 2



*FIG. 3*



*FIG. 4*

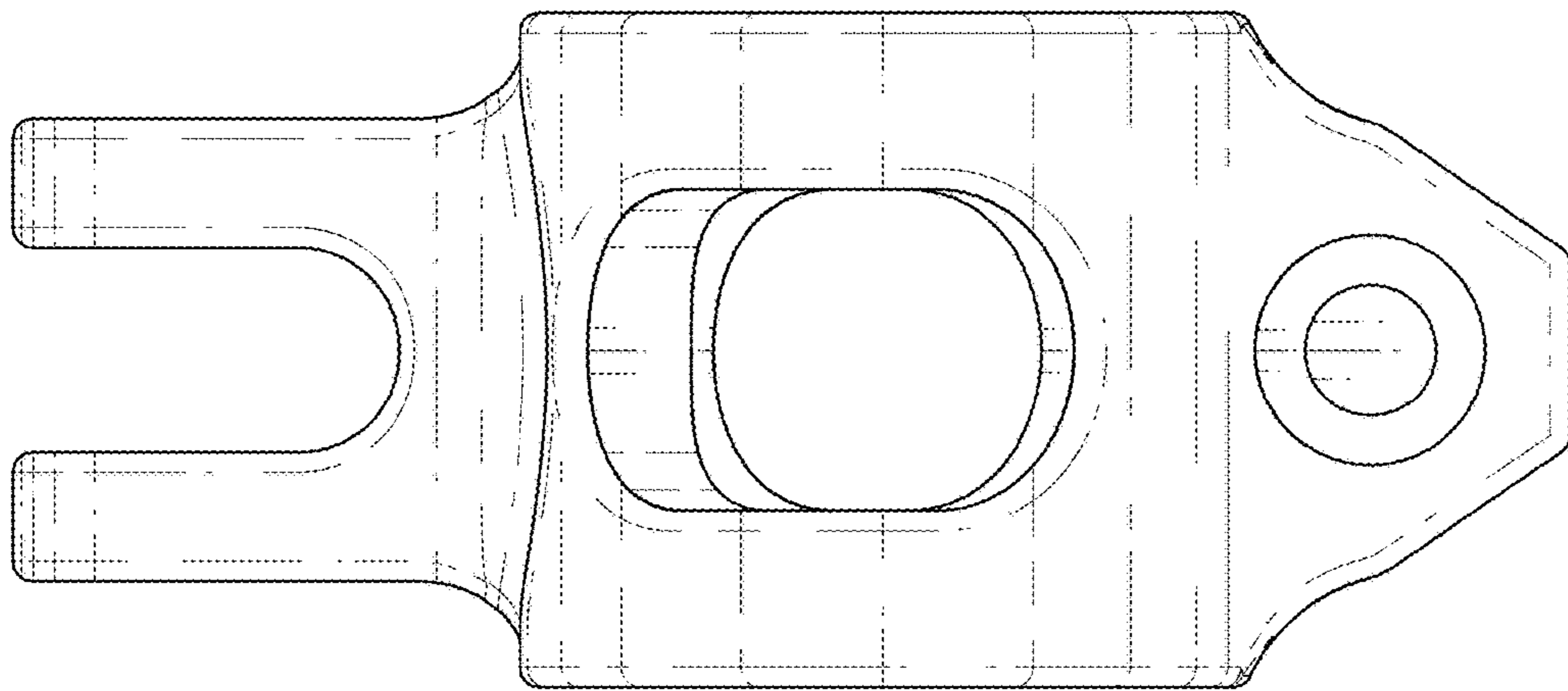
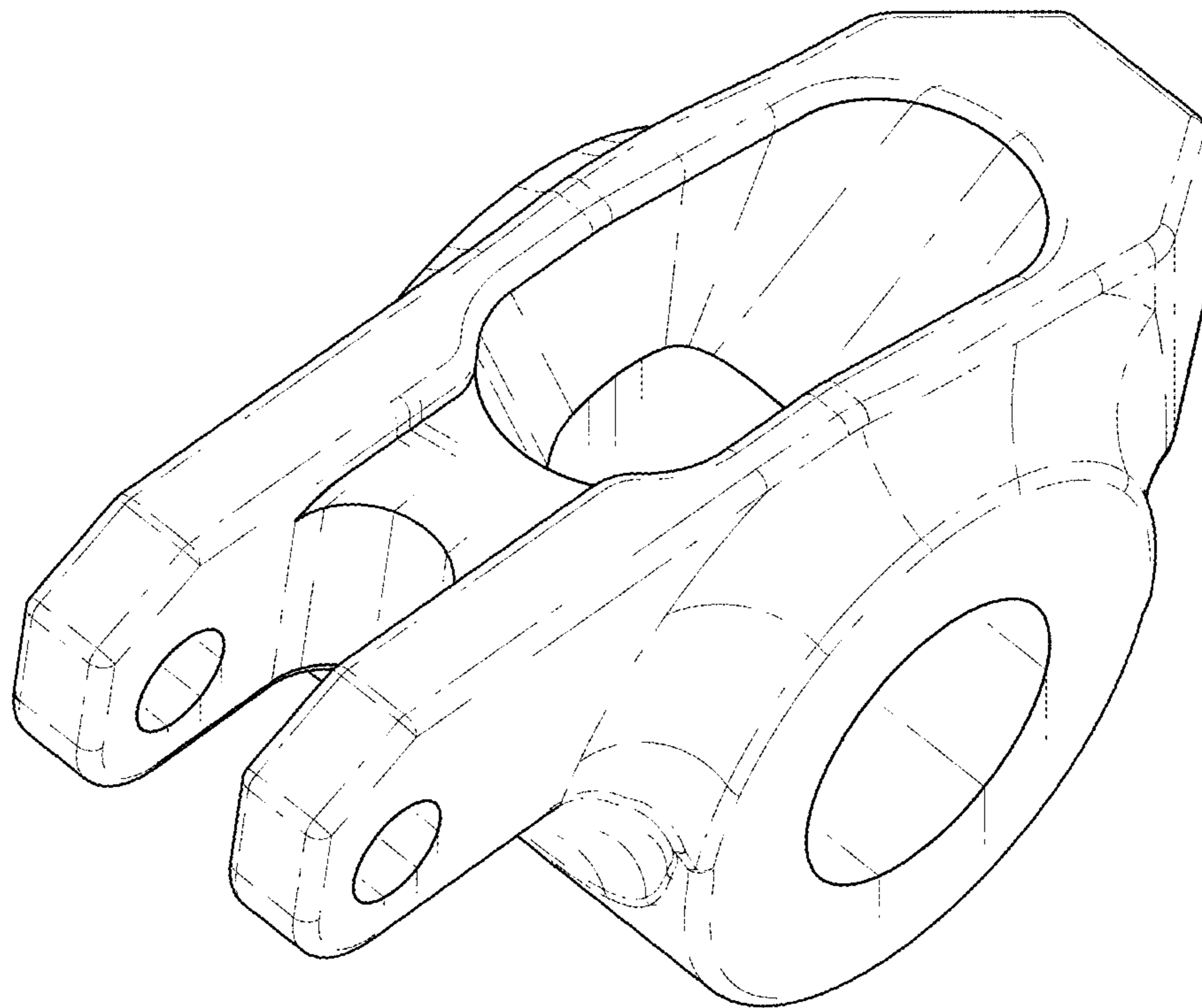


FIG. 5



*FIG. 6*

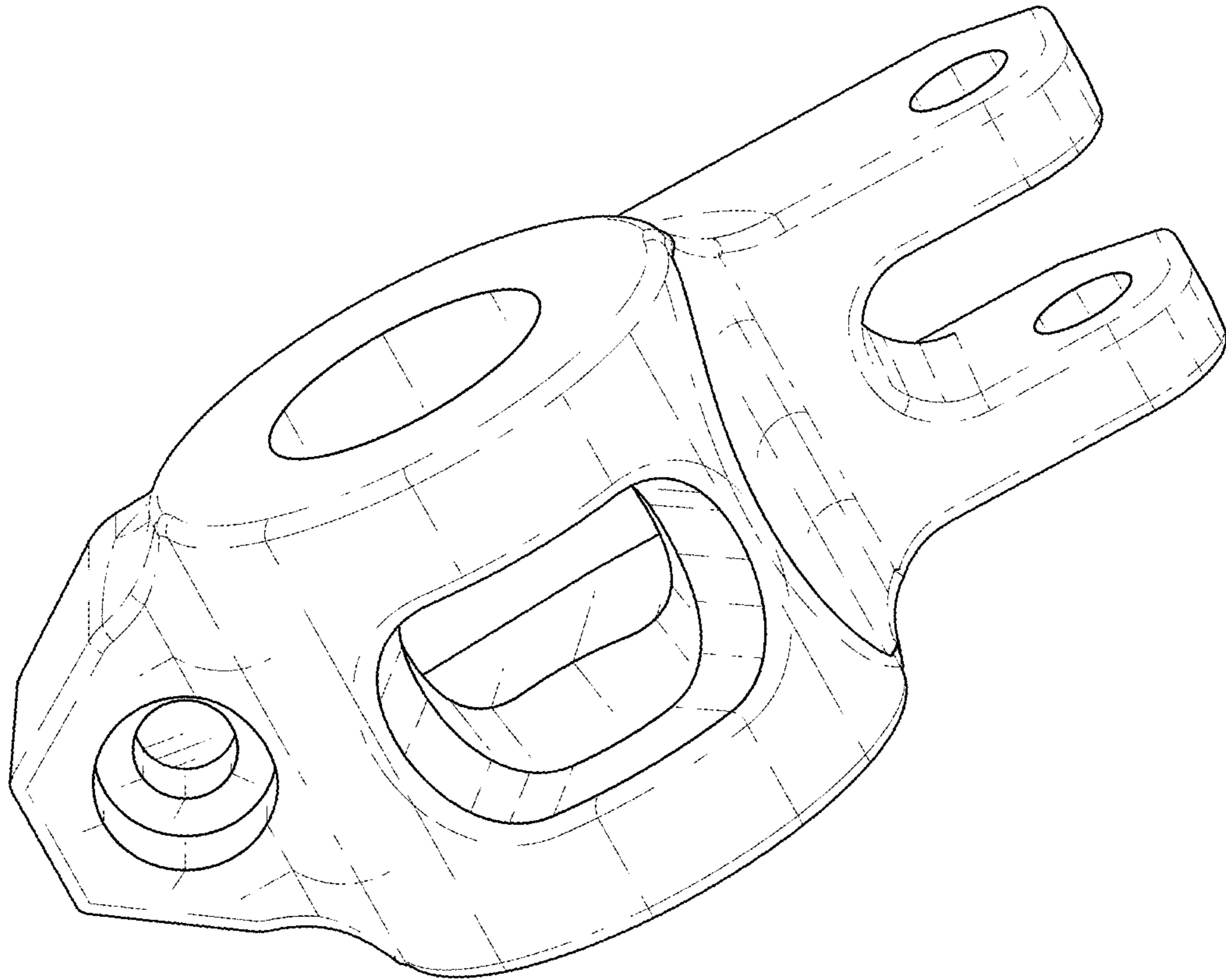


FIG. 7