



US00D797152S

(12) **United States Design Patent** (10) **Patent No.:** **US D797,152 S**
Sheren (45) **Date of Patent:** **** Sep. 12, 2017**

(54) **ZERO LASH CLIP**

(71) Applicant: **Eaton Corporation**, Cleveland, OH (US)

(72) Inventor: **James R. Sheren**, Grand Ledge, MI (US)

(73) Assignee: **Eaton Corporation**, Cleveland, OH (US)

(**) Term: **14 Years**

(21) Appl. No.: **29/523,035**

(22) Filed: **Apr. 6, 2015**

(51) **LOC (10) Cl.** **15-01**

(52) **U.S. Cl.**
USPC **D15/5**

(58) **Field of Classification Search**
USPC D15/5; D8/349, 350, 353, 354, 355, 356, D8/359, 366, 367, 373; D11/200, 201, D11/206, 211; D13/152, 154
CPC F01L 2001/187; F01L 2001/2433; F01L 1/143; F01L 1/46; F01L 1/18; F01L 1/2405; F01L 2103/01; F01L 2109/00; F01L 1/24

See application file for complete search history.

(56) **References Cited**

U.S. PATENT DOCUMENTS

6,047,675 A 4/2000 Kunz
6,302,075 B1 * 10/2001 Krieg F01L 1/185
123/90.41
6,543,402 B2 4/2003 Burns
7,146,950 B2 12/2006 Moeck

7,219,639 B2 5/2007 Engelhardt
7,350,490 B2 4/2008 Mock
7,721,695 B2 5/2010 Moeck
8,561,585 B2 * 10/2013 Miyoshi F01L 1/185
123/90.39
8,561,586 B2 10/2013 Kishi
2011/0000451 A1 * 1/2011 Kraus F01L 1/185
123/90.46
2013/0097838 A1 * 4/2013 Lacroix B60R 13/0876
29/426.6
2013/0233900 A1 * 9/2013 Cross B60R 11/00
224/545

* cited by examiner

Primary Examiner — T. Chase Nelson

Assistant Examiner — Ania Aman

(74) *Attorney, Agent, or Firm* — RMCK Law Group, PLC

(57) **CLAIM**

The ornamental design for a zero lash clip, as shown and described.

DESCRIPTION

FIG. 1 is a top perspective view of a zero lash clip showing the new design.

FIG. 2 is a bottom perspective view of the zero lash clip of FIG. 1.

FIG. 3 is a top view of the zero lash clip of FIG. 1.

FIG. 4 is a bottom view of the zero lash clip of FIG. 1.

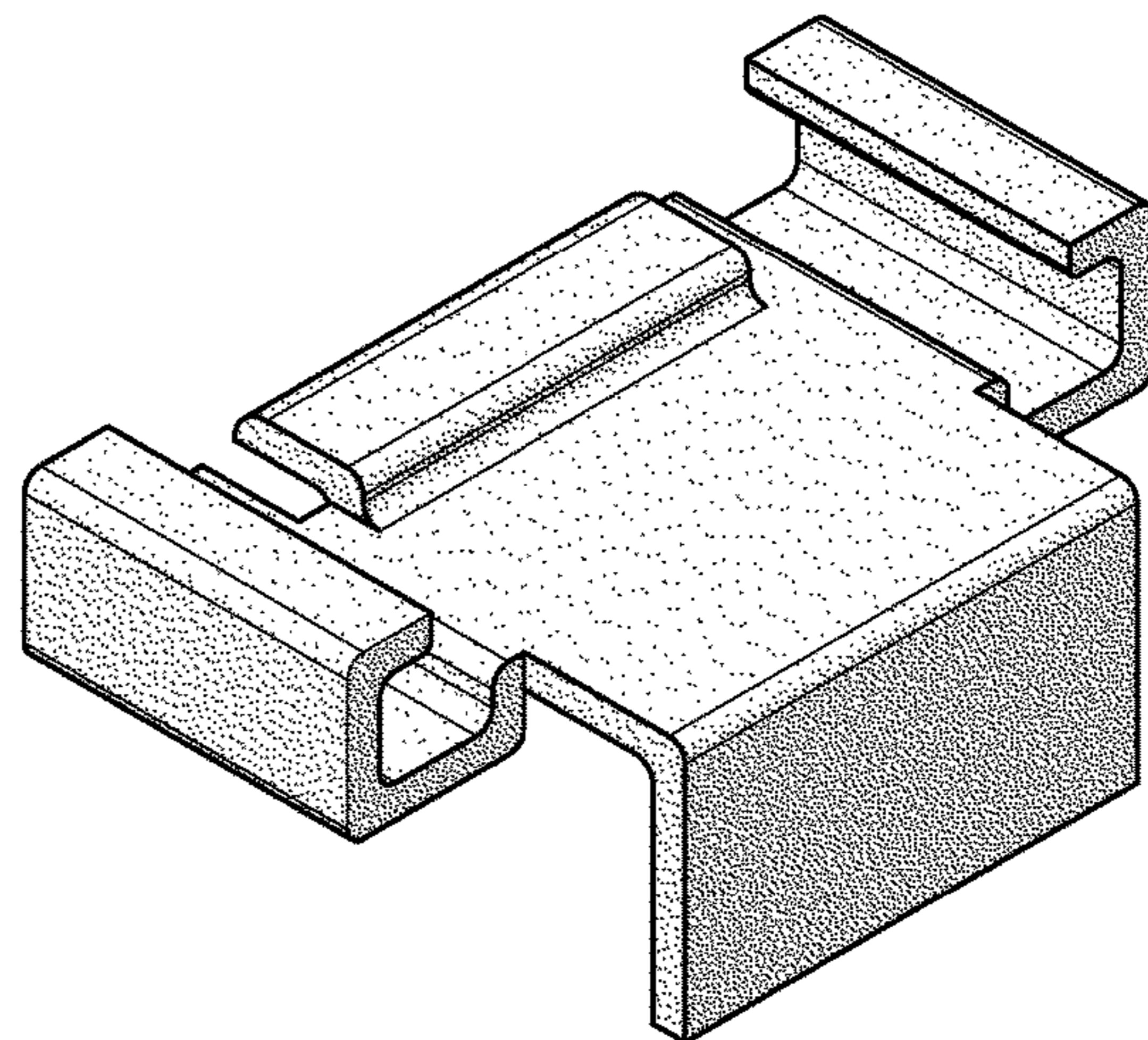
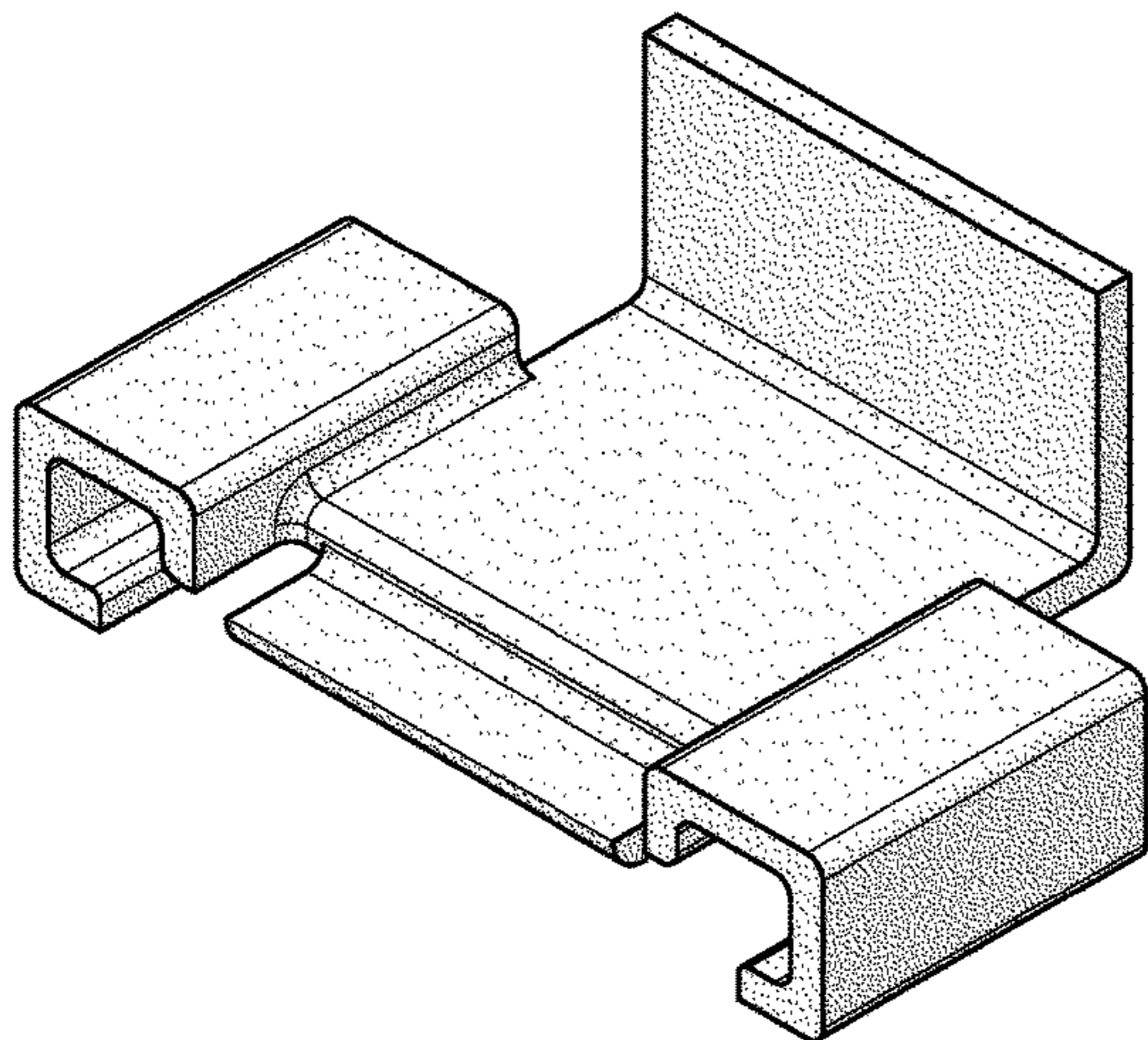
FIG. 5 is a front view of the zero lash clip of FIG. 1.

FIG. 6 is a rear view of the zero lash clip of FIG. 1.

FIG. 7 is a first side view of the zero lash clip of FIG. 1; and,

FIG. 8 is a second side view of the zero lash clip of FIG. 1.

1 Claim, 3 Drawing Sheets



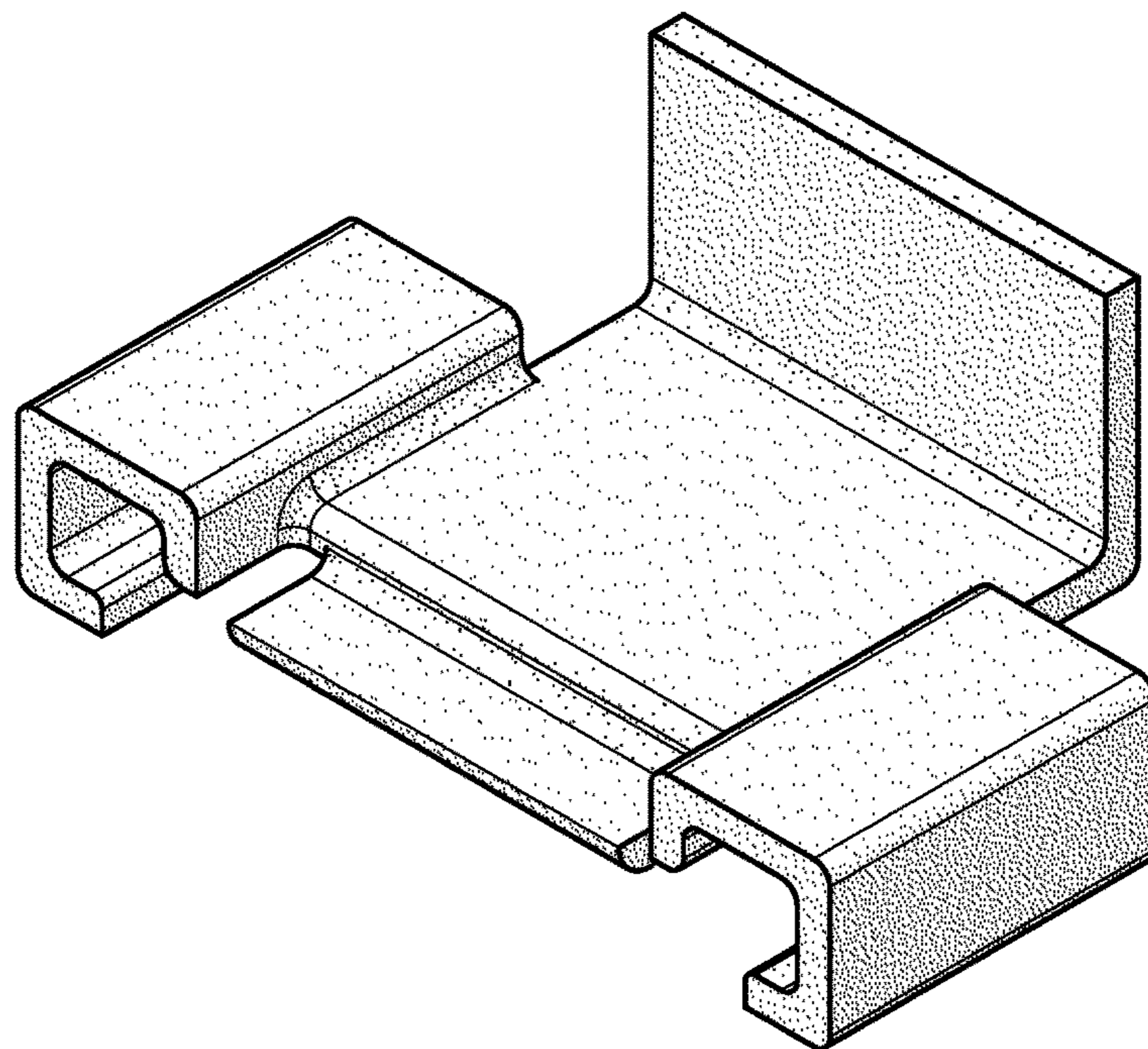


FIG. 1

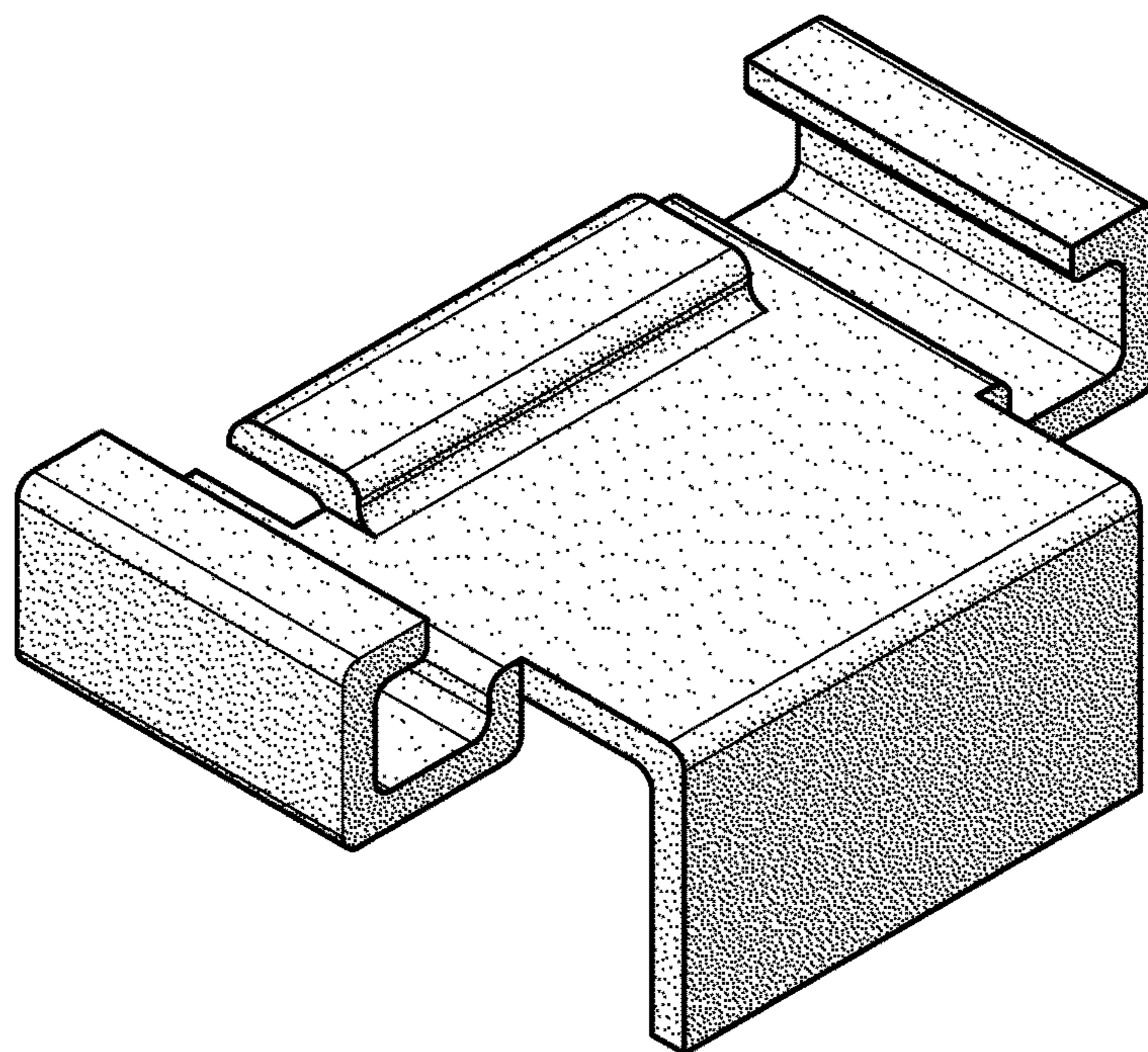


FIG. 2

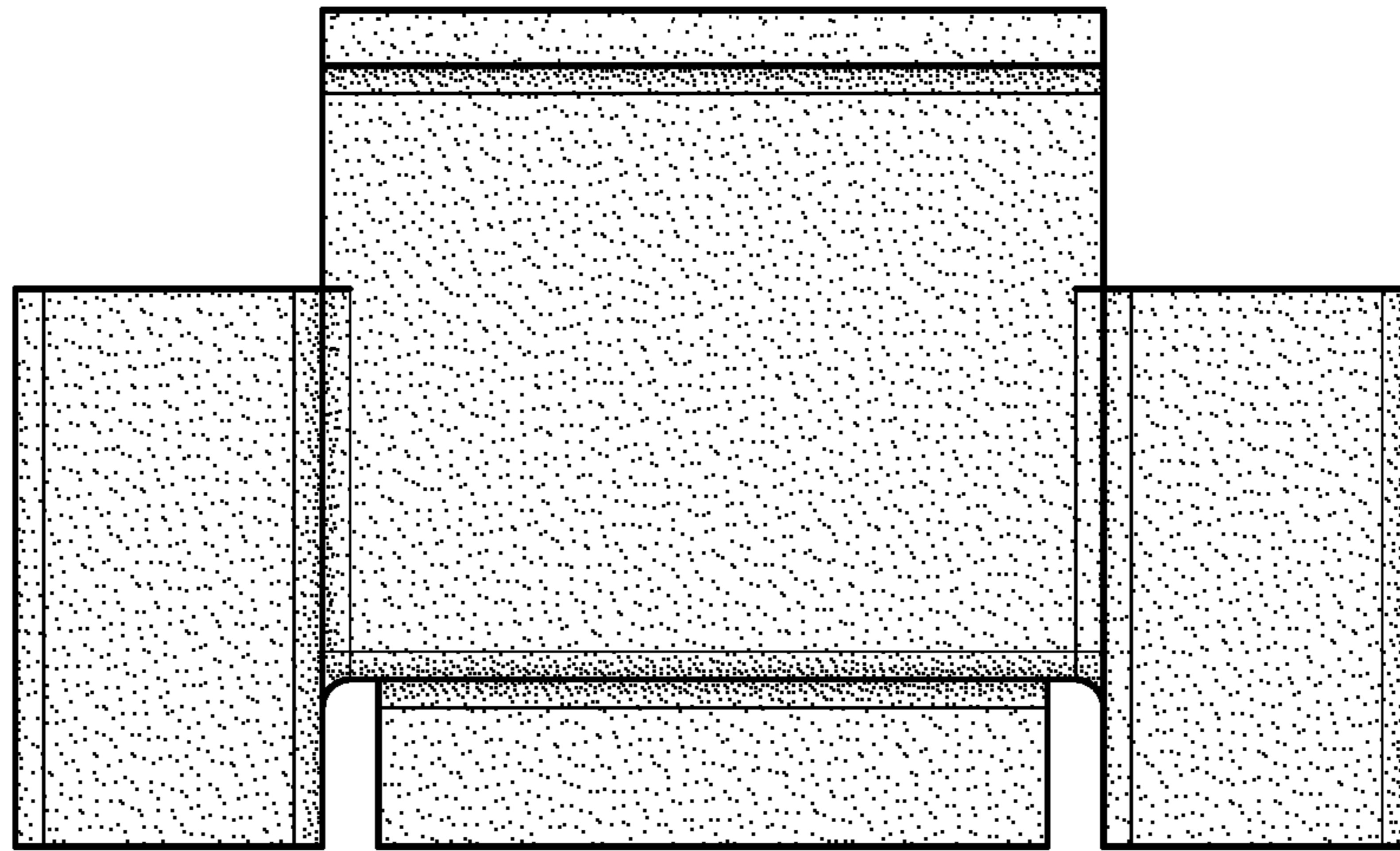


FIG. 3

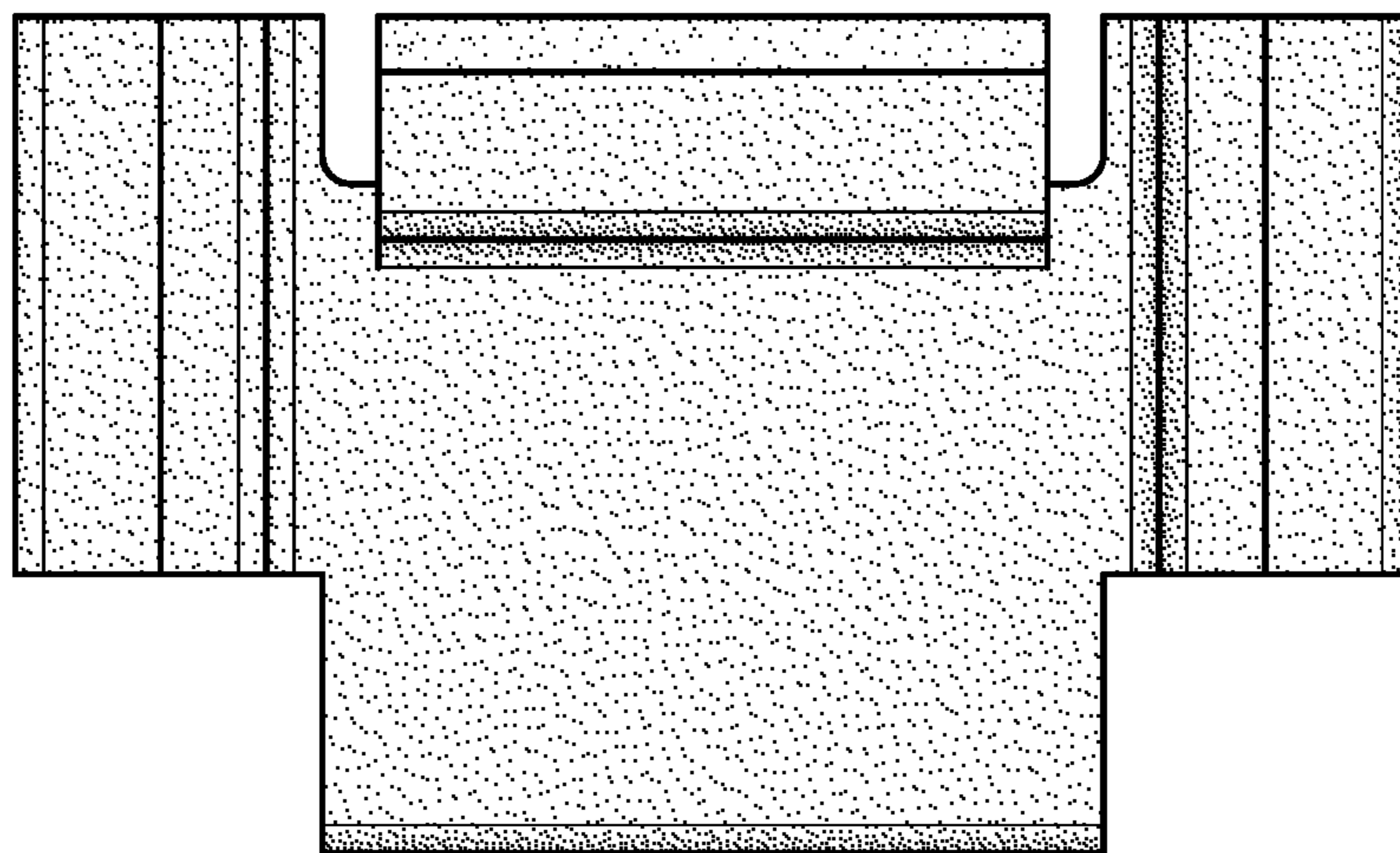


FIG. 4

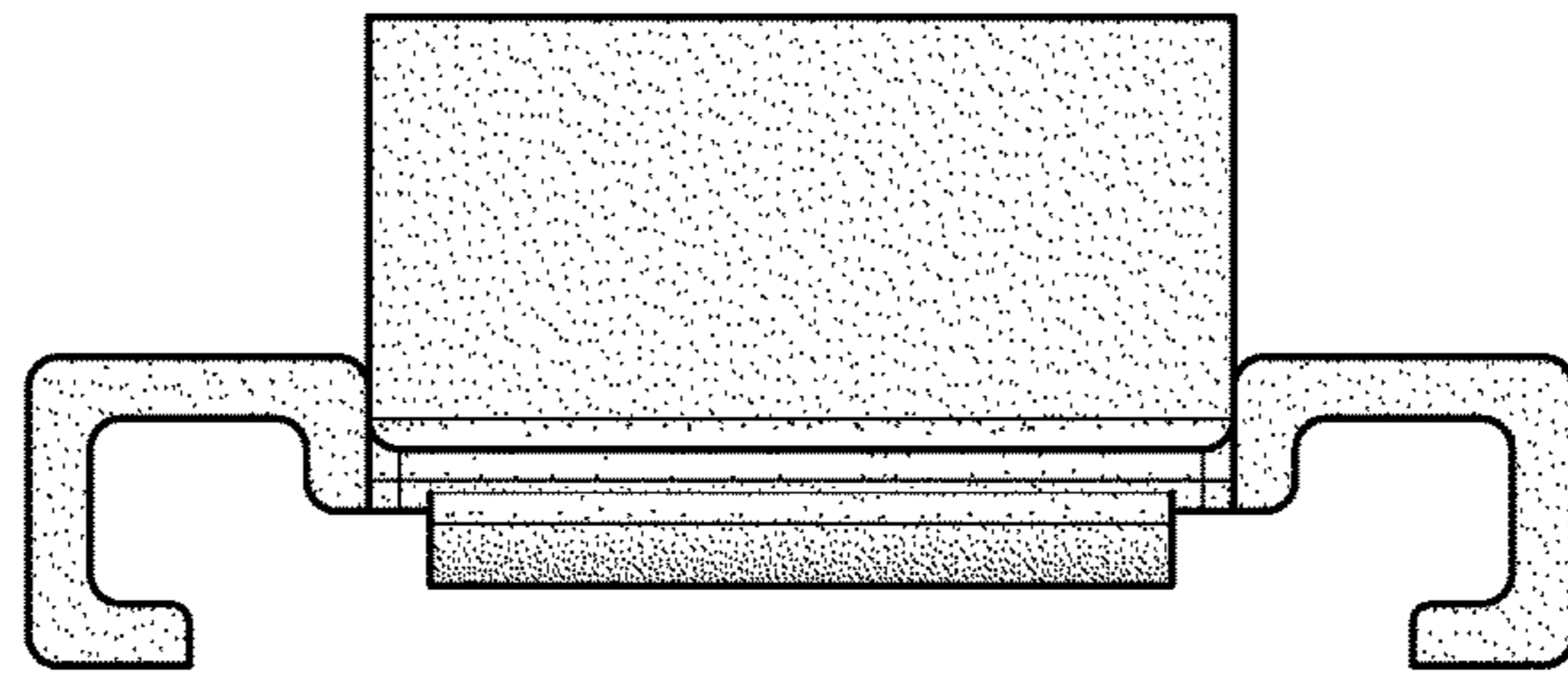


FIG. 5

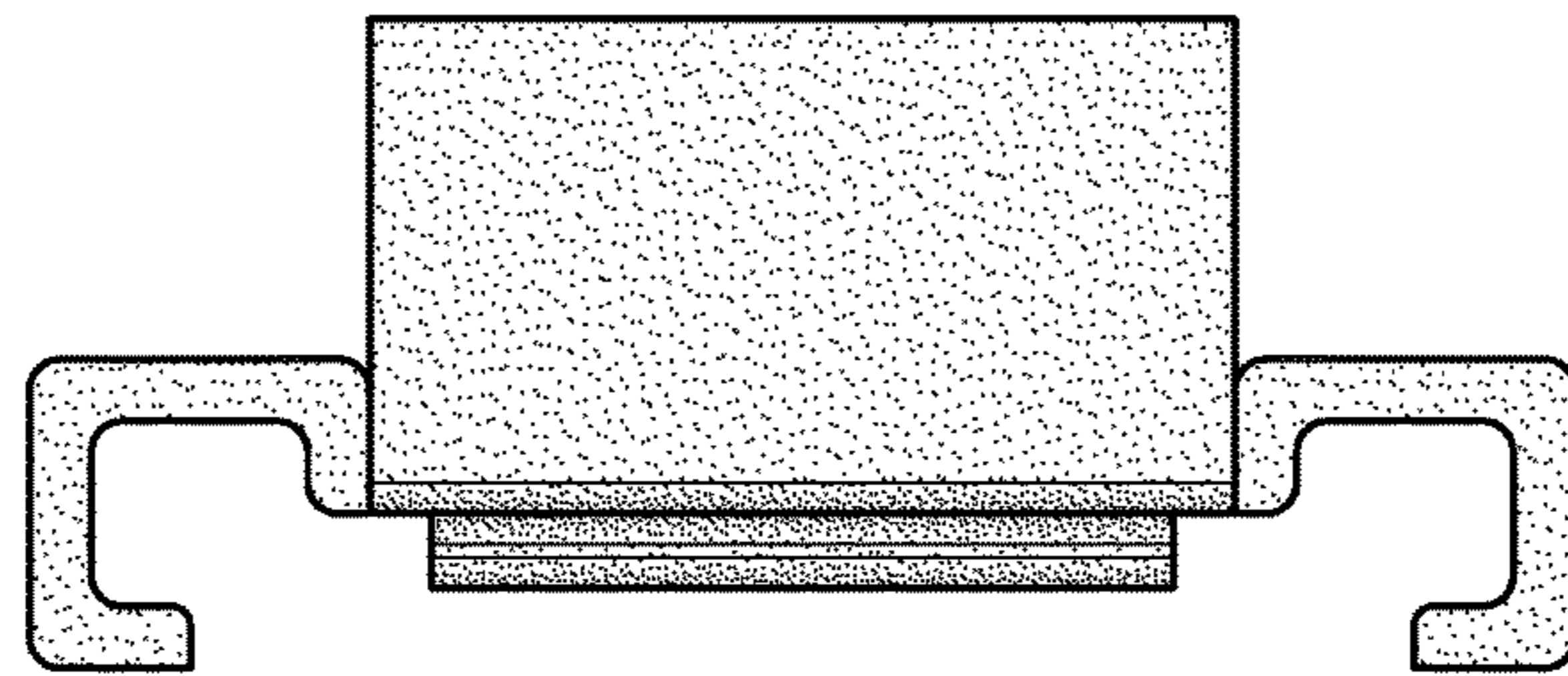


FIG. 6

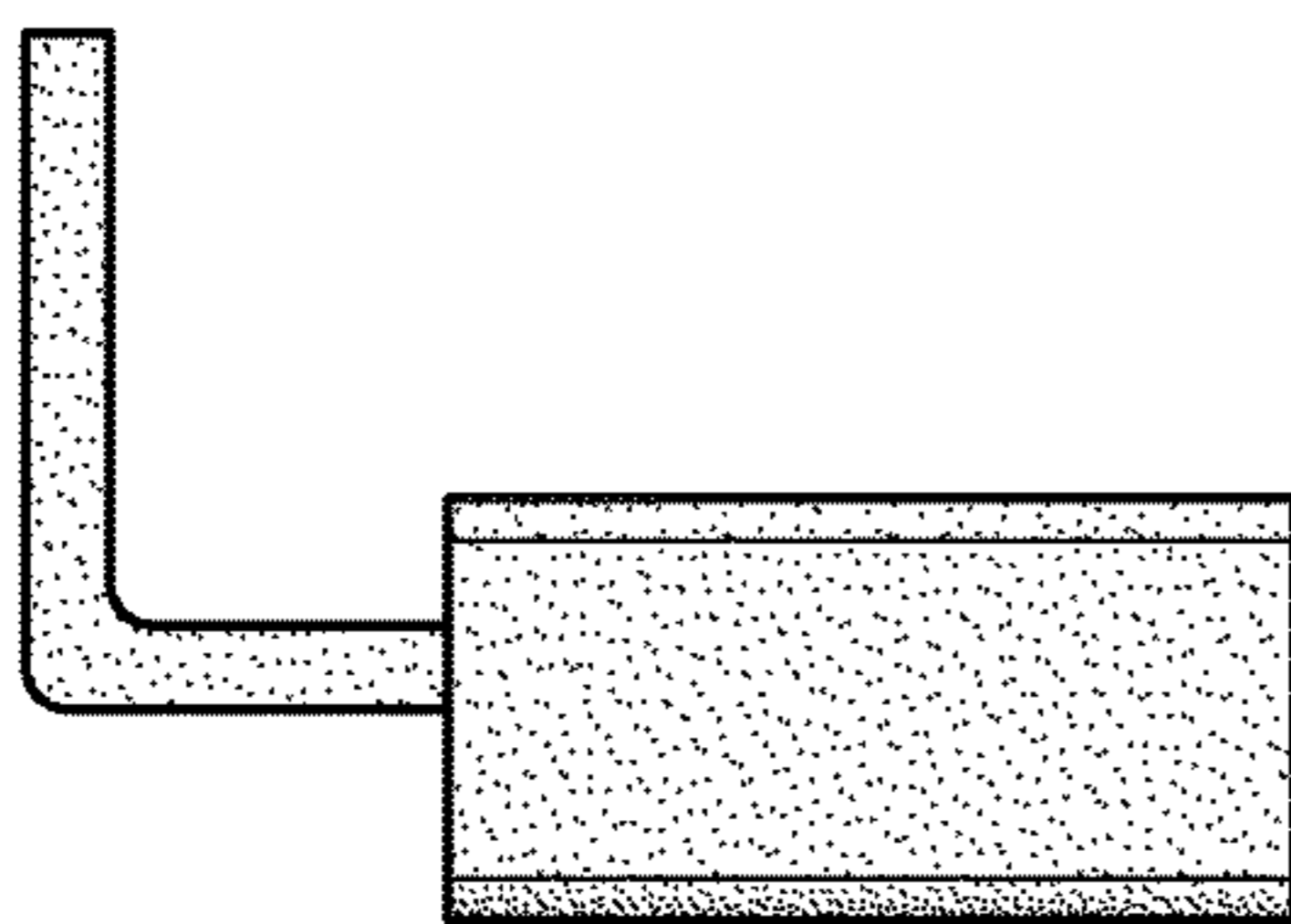


FIG. 7

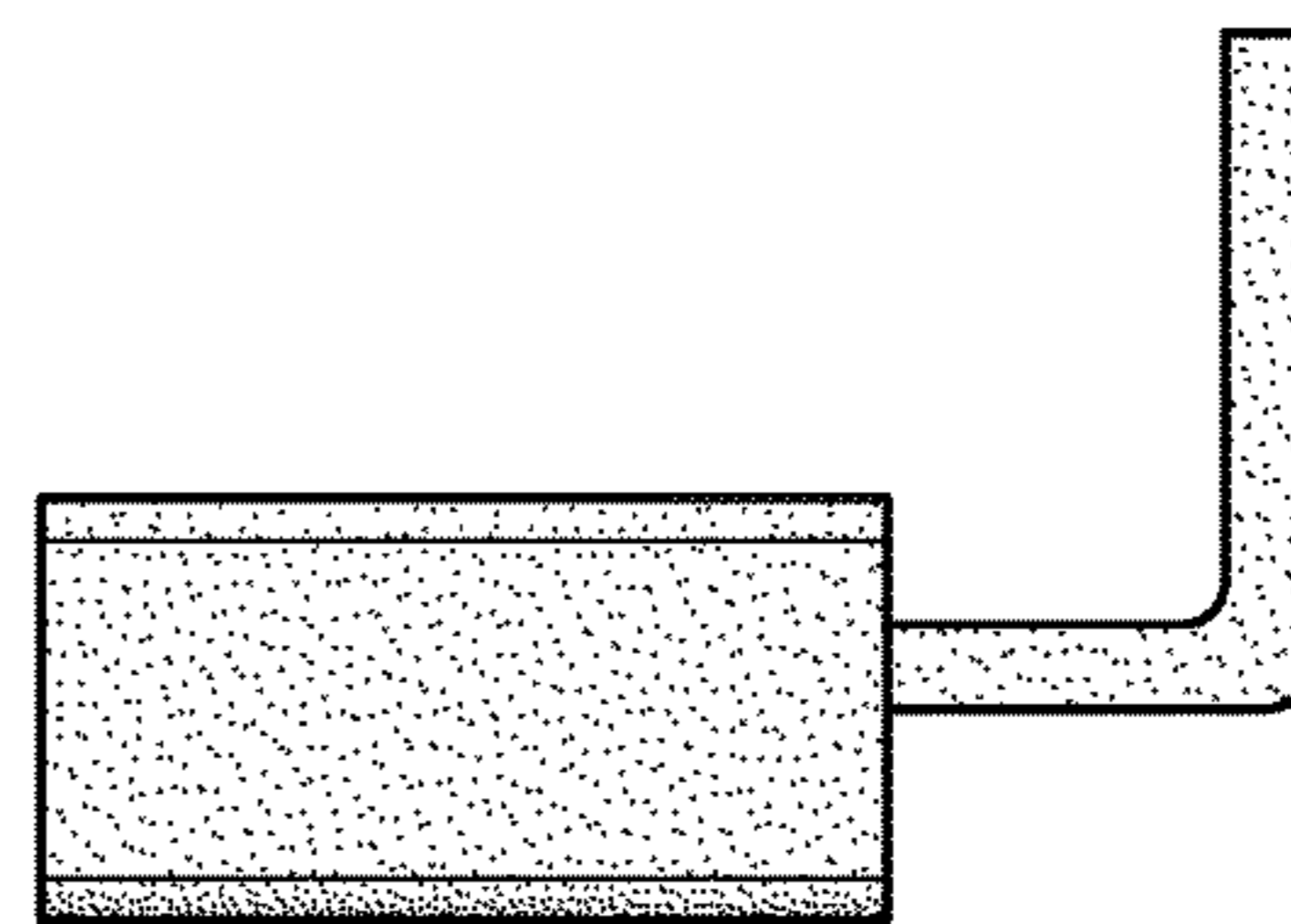


FIG. 8