



US00D797151S

(12) **United States Design Patent** (10) **Patent No.:** **US D797,151 S**
Bonanni et al. (45) **Date of Patent:** **** Sep. 12, 2017**

(54) **ENGINE**
(71) Applicant: **Lombardini S.R.L.**, Reggio Emilia (IT)
(72) Inventors: **Massimiliano Bonanni**, Parma (IT);
Stefano Calzi, Busseto (IT)
(73) Assignee: **Kohler, Co.**, Kohler, WI (US)
(**) Term: **15 Years**
(21) Appl. No.: **29/574,054**
(22) Filed: **Aug. 11, 2016**

D665,425 S * 8/2012 Genter D15/3
D685,819 S * 7/2013 Hataura D15/1
D685,820 S * 7/2013 Okuda D15/3
D704,740 S 5/2014 Bellinger et al.
D710,899 S 8/2014 Kuehner et al.
9,260,997 B2 * 2/2016 Daikoku F01N 3/046
2001/0039908 A1 11/2001 Bilek et al.
2001/0039934 A1 * 11/2001 Ohrnberger F01B 1/12
123/195 A
2004/0159303 A1 8/2004 Aketa et al.
2004/0231623 A1 * 11/2004 El Tahry F01L 1/022
123/90.15
2005/0066914 A1 3/2005 Avery, Jr. et al.
2005/0235942 A1 * 10/2005 McCullagh F01B 1/12
123/184.34
2008/0184953 A1 8/2008 Bamber et al.

(Continued)

Related U.S. Application Data

(62) Division of application No. 29/515,942, filed on Jan. 28, 2015, now Pat. No. Des. 766,986.

Foreign Application Priority Data

Jul. 29, 2014 (EM) 002510545-0001
Jul. 29, 2014 (EM) 002510545-0002

(51) **LOC (10) Cl.** **15-01**
(52) **U.S. Cl.**
USPC **D15/3**

(58) **Field of Classification Search**
USPC D15/1-6, 14, 17, 149; D13/184; 123/22,
123/41, 51 A, 34, 606 R, 52.1, 50 A,
123/50 B, 54.1, 54.2, 54.4, 54.5, 65 R,
123/195 R, 195 HC, 657, 311, 635,
123/195 C, 903.38, 568.12, 90.38
CPC ... F01M 5/00; F16M 1/026; F02P 3/02; F02B
37/013
See application file for complete search history.

References Cited

U.S. PATENT DOCUMENTS

6,155,223 A 12/2000 Miazgowicz
7,389,759 B2 6/2008 McCullagh

Primary Examiner — T. Chase Nelson
Assistant Examiner — Ania Aman
(74) *Attorney, Agent, or Firm* — Lempia Summerfield
Katz LLC

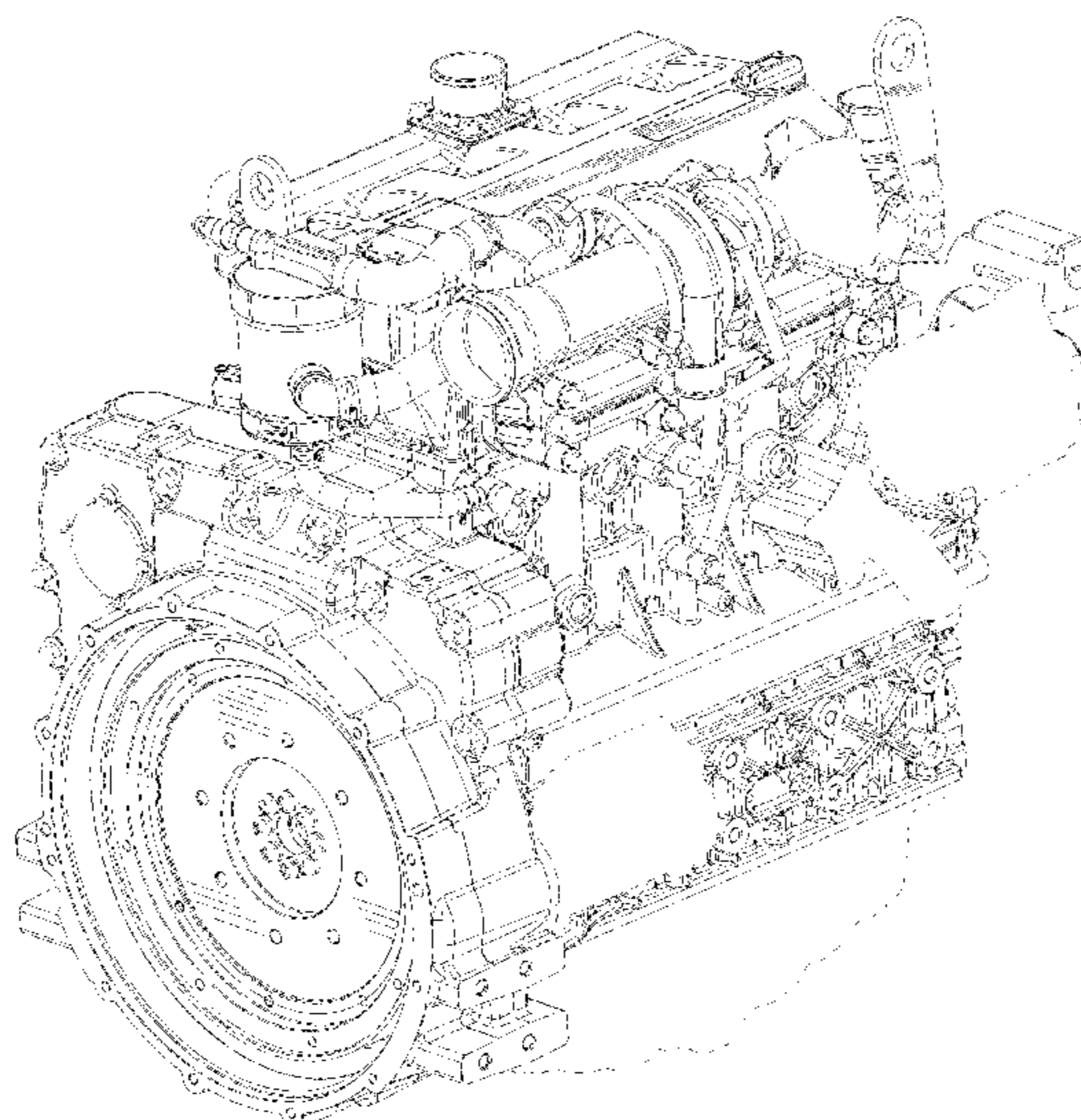
(57) **CLAIM**

The ornamental design for an “engine,” as shown and described.

DESCRIPTION

FIG. 1 is a top view showing a new design for an engine.
FIG. 2 is a bottom view of the engine shown in FIG. 1.
FIG. 3 is a front view of the engine shown in FIG. 1.
FIG. 4 is a rear view of the engine shown in FIG. 1.
FIG. 5 is a left side view of the engine shown in FIG. 1.
FIG. 6 is a right side view of the engine shown in FIG. 1;
and,
FIG. 7 is a perspective view of the engine shown in FIG. 1.
The broken line shown in the drawings are for the purpose
of illustrating portions of the article that form no part of the
claimed design.

1 Claim, 7 Drawing Sheets



(56)

References Cited

U.S. PATENT DOCUMENTS

2009/0107450 A1 4/2009 Olsen et al.
2009/0211552 A1 8/2009 Prior et al.

* cited by examiner

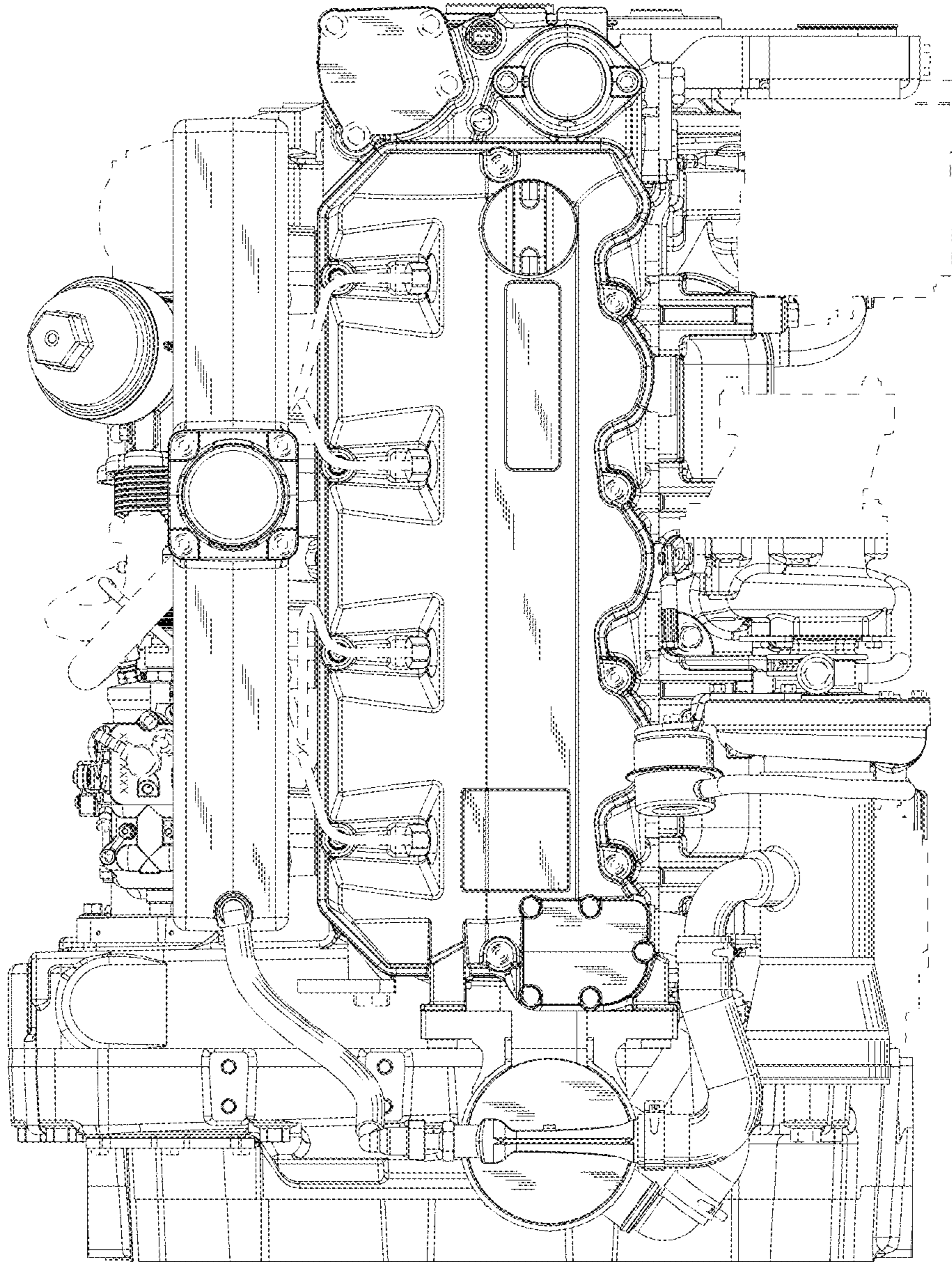


FIG. 1

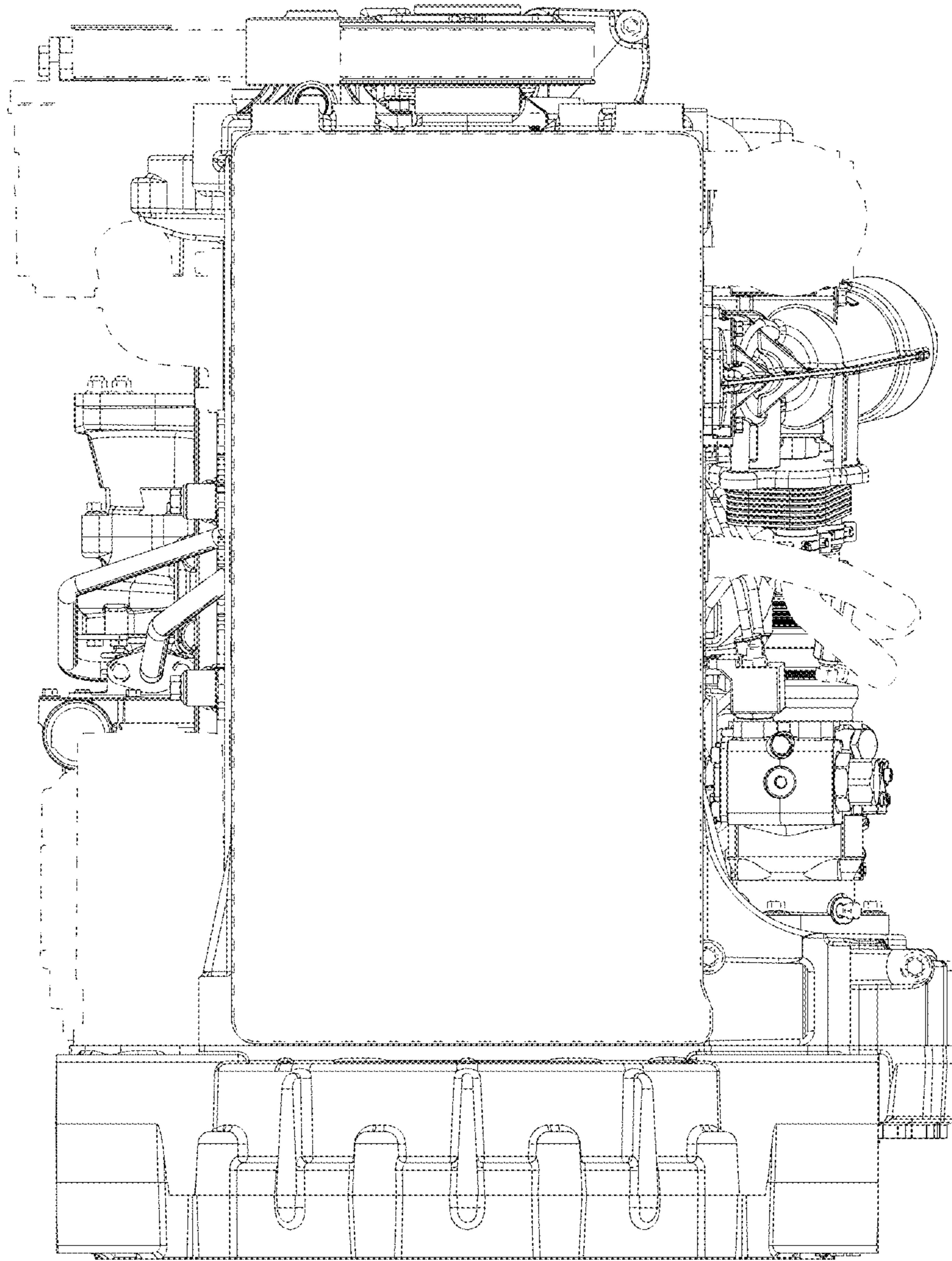


FIG. 2

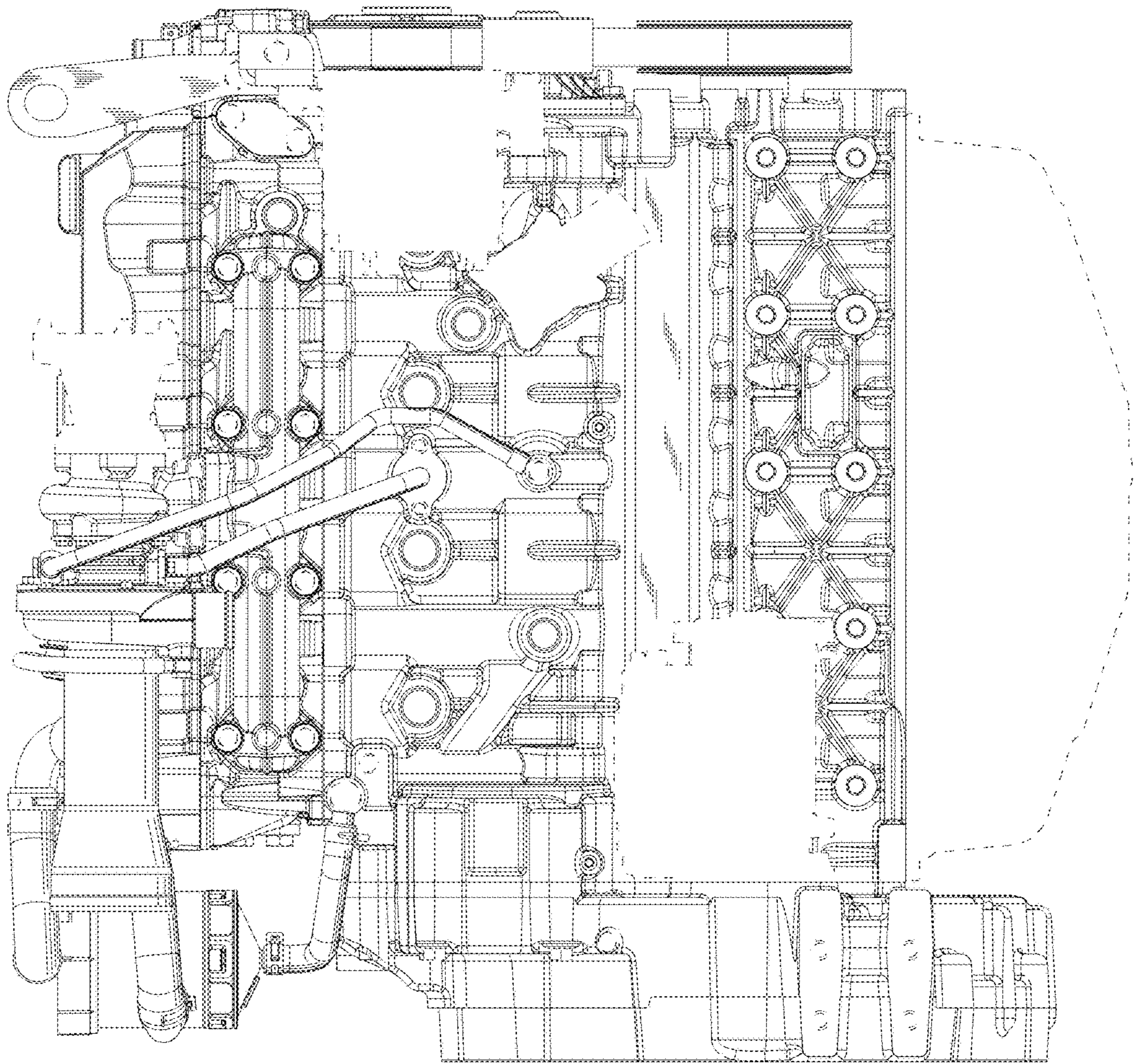


FIG. 3

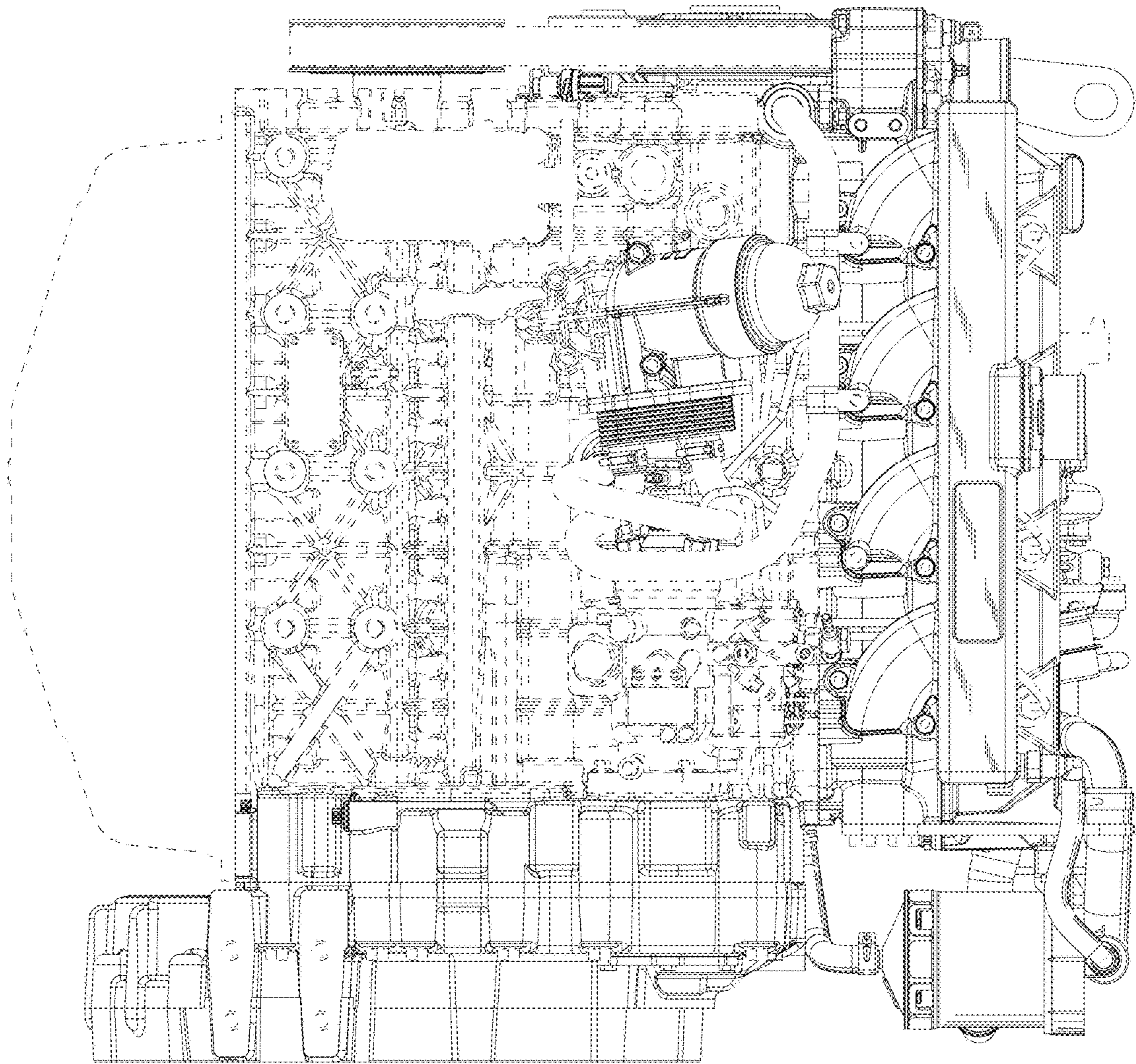


FIG. 4

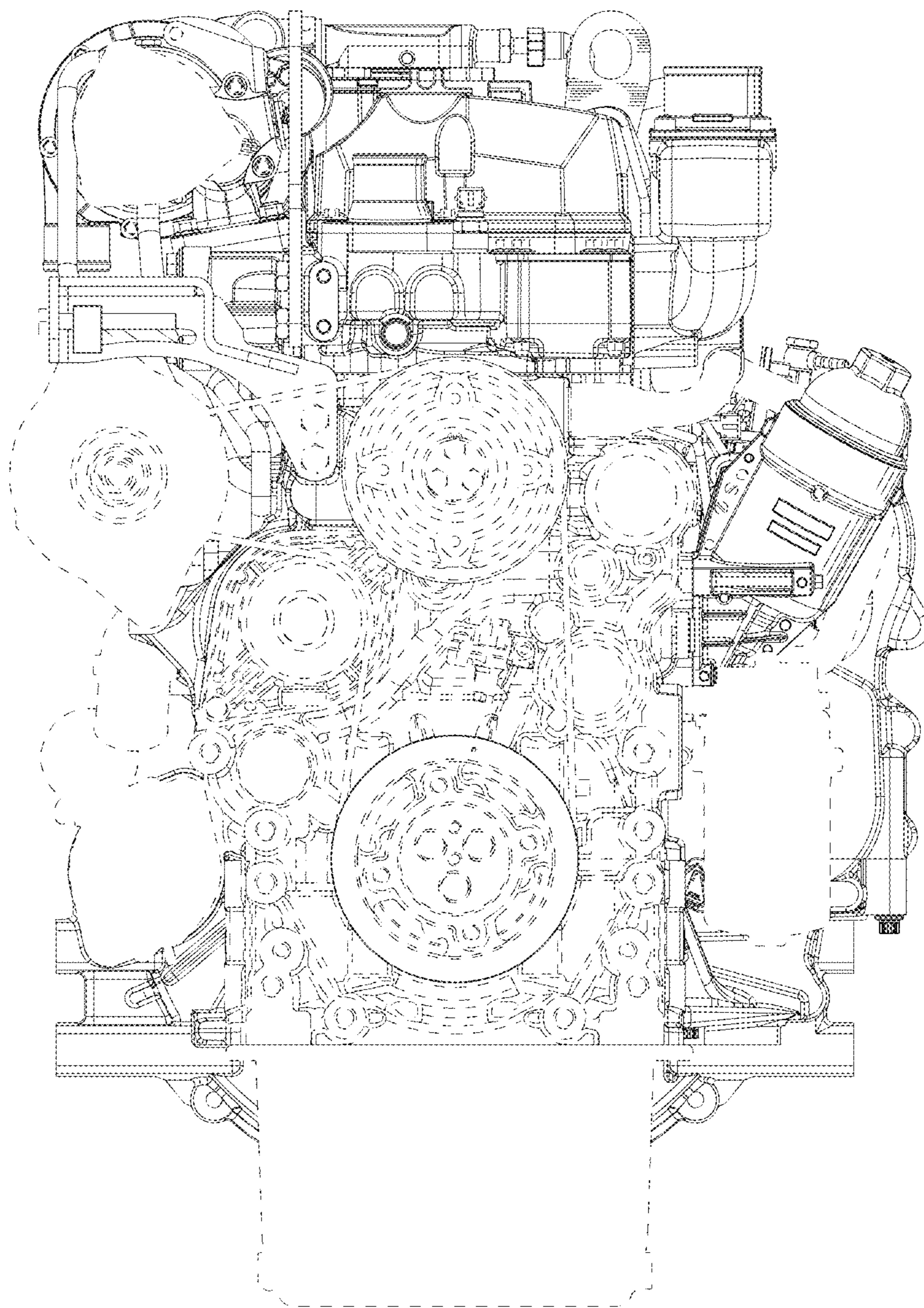


FIG. 5

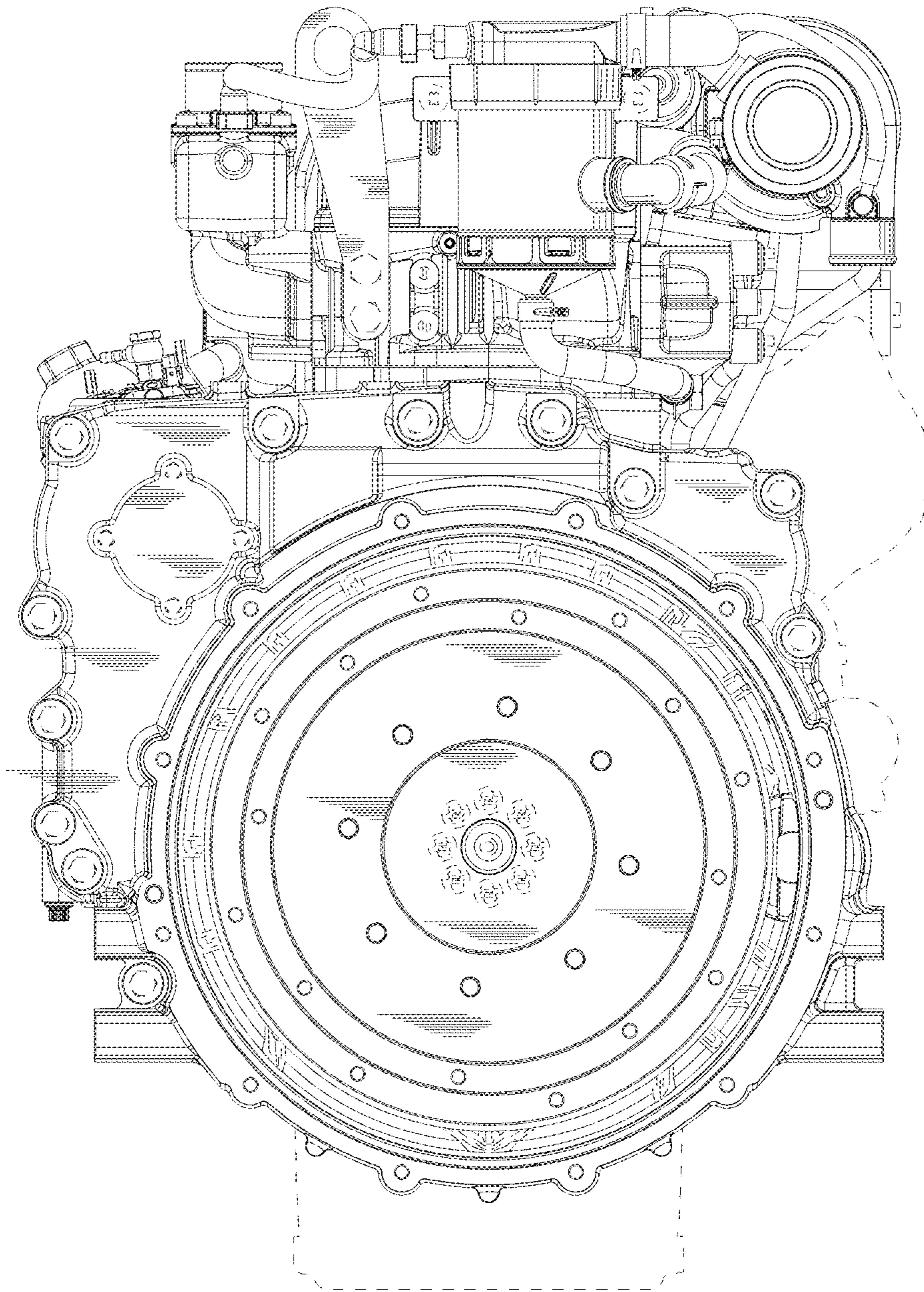


FIG. 6

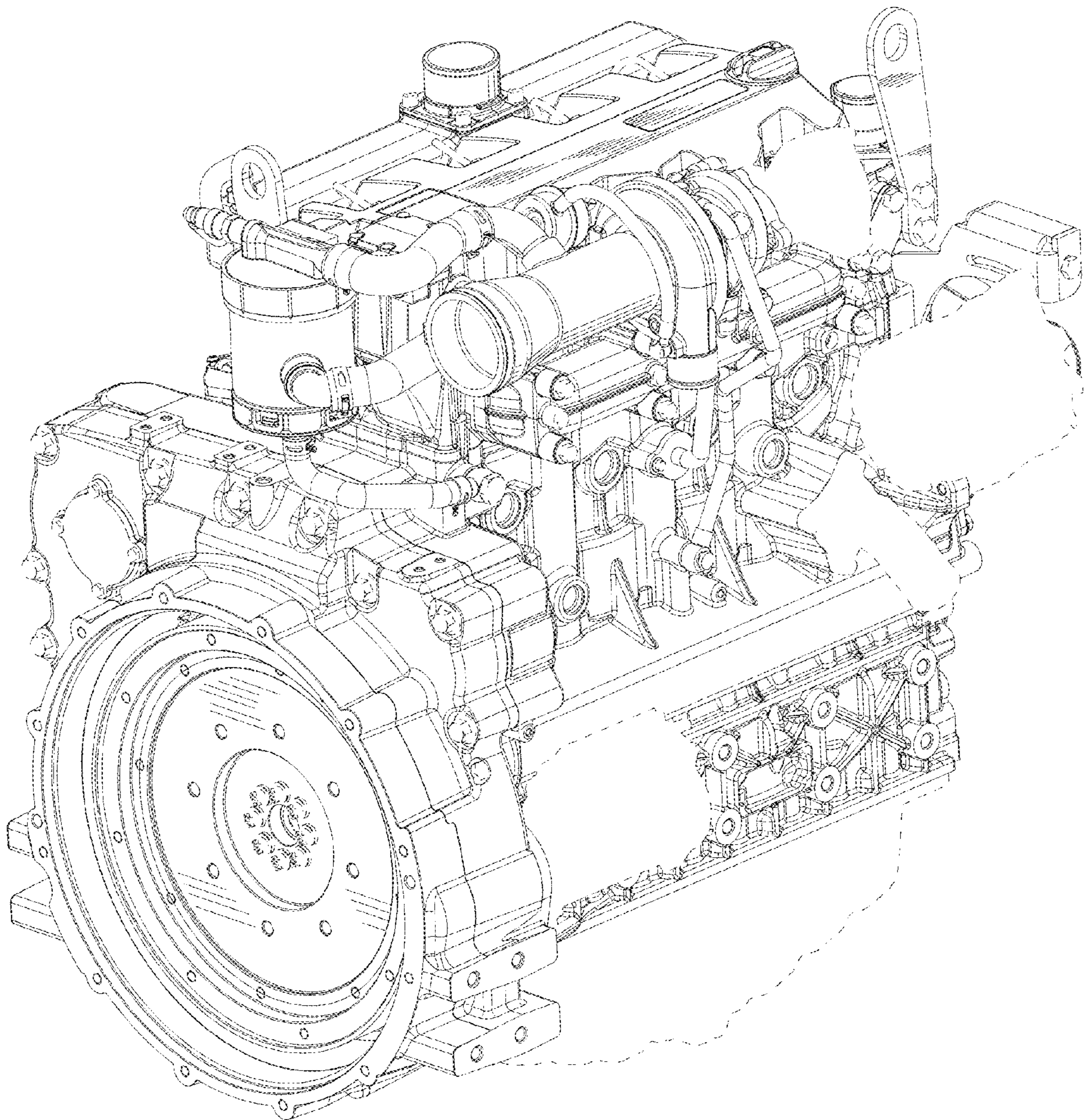


FIG. 7