



US00D797149S

(12) **United States Design Patent** (10) **Patent No.:** **US D797,149 S**
Beck et al. (45) **Date of Patent:** **** *Sep. 12, 2017**

(54) **MEDIA STREAMING DEVICE**

(71) Applicant: **GOOGLE INC.**, Mountain View, CA (US)

(72) Inventors: **Kristen Beck**, San Mateo, CA (US);
Michael Jon Sundermeyer, Palo Alto, CA (US); **Micah Thomas Collins**, Mountain View, CA (US)

(73) Assignee: **Google Inc.**, Mountain View, CA (US)

(*) Notice: This patent is subject to a terminal disclaimer.

(**) Term: **15 Years**

(21) Appl. No.: **29/539,937**

(22) Filed: **Sep. 18, 2015**

(51) **LOC (10) Cl.** **14-03**

(52) **U.S. Cl.**

USPC **D14/496**; D14/203.6

(58) **Field of Classification Search**

USPC D14/432, 434, 447, 357, 299, 496,
D14/203.1-203.8, 149, 155, 157, 188,
D14/209.1, 217; D21/324, 328, 332, 333;
361/600, 679-686; 320/114, 115;
345/156-161, 905, 901; 439/529, 534,
439/929; 455/556.2, 557;
348/14.01-14.1, 211.12, 211.13;
386/235, 200, 239; 715/751, 753;
725/143, 151, 153, 135; 709/204, 211,
709/217

CPC G06F 1/16; G06F 5/00; G06F 3/00; H04N
5/225; H04N 5/40; G05F 3/048

See application file for complete search history.

(56) **References Cited**

U.S. PATENT DOCUMENTS

6,591,085 B1 7/2003 Grady
D487,887 S * 3/2004 Hutchinson D14/508

D502,154 S * 2/2005 Peng D14/126
D527,017 S * 8/2006 Kim D14/203.6
D531,159 S * 10/2006 Park D14/203.3
D533,187 S 12/2006 Lee
7,277,272 B2 * 10/2007 Hsiung G11B 17/051
361/679.01
D578,546 S 10/2008 Fullerton
7,525,289 B2 * 4/2009 Janik G06F 17/30749
320/132
7,533,367 B2 * 5/2009 Balsiger G06F 9/4443
715/273

(Continued)

OTHER PUBLICATIONS

Notice of Allowance from U.S. Appl. No. 29/539,940, dated Aug. 10, 2016, 8 pages.

(Continued)

Primary Examiner — Prabhakar Deshmukh

(74) *Attorney, Agent, or Firm* — Brake Hughes
Bellermann LLP

(57) **CLAIM**

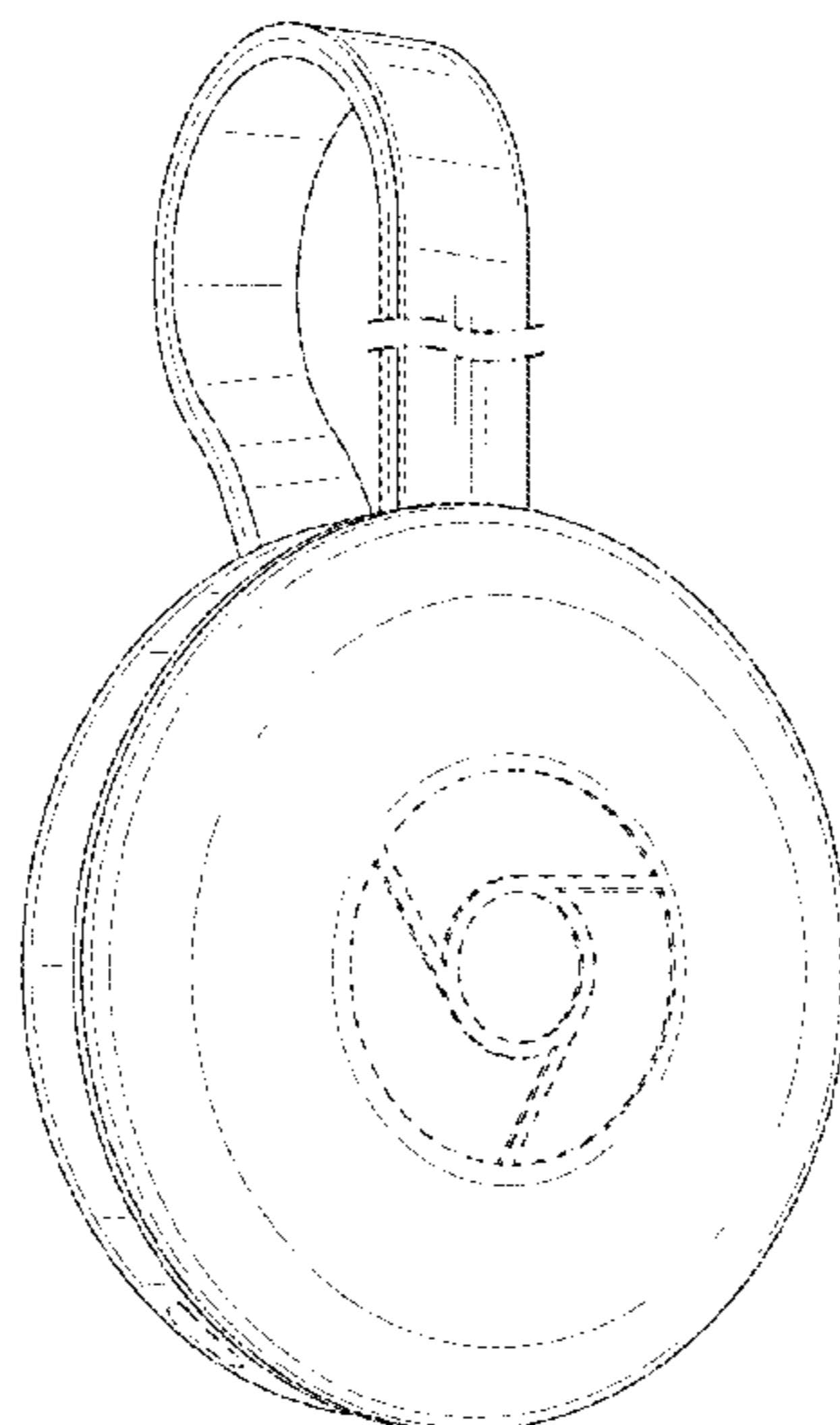
The ornamental design for a media streaming device, as shown and described.

DESCRIPTION

FIG. 1 is a perspective view of a media streaming device showing our new design;
FIG. 2 is front elevational view thereof;
FIG. 3 is a rear elevational view thereof;
FIG. 4 is a left side elevational view thereof;
FIG. 5 is a right side elevational view thereof;
FIG. 6 is a top plan view thereof; and,
FIG. 7 is a bottom plan view thereof.

The broken lines illustrate unclaimed portions and form no part of the claimed design. The break lines indicate undetermined length of the strap. The portion between the break lines forms no part of the claimed design.

1 Claim, 7 Drawing Sheets



(56)

References Cited

U.S. PATENT DOCUMENTS

7,733,393 B2 * 6/2010 Yoshida H04N 5/3595
348/245
D631,893 S 2/2011 Ward et al.
D647,917 S * 11/2011 Voorhees D14/203.3
D710,386 S 8/2014 Aglassinger
9,015,334 B2 * 4/2015 Harris G06Q 30/02
709/231
9,112,849 B1 8/2015 Werkelin Ahlin et al.
9,131,260 B2 9/2015 Klarke et al.
9,252,950 B2 2/2016 Caspi
9,271,033 B2 2/2016 Arling et al.
9,276,967 B2 * 3/2016 Casey H04N 21/2662
9,286,854 B2 * 3/2016 Klarke H04N 21/6125
D754,126 S * 4/2016 Xiong D14/341

OTHER PUBLICATIONS

Notice of Allowance from U.S. Appl. No. 29/539,942, dated Aug. 18, 2016, 8 Pages.
Non Final Office Action from U.S. Appl. No. 29/539,944, dated Aug. 4, 2016, 5 pages.
Notice of Allowance from U.S. Appl. No. 29/539,945, dated Aug. 5, 2016, 8 pages.
Notice of Allowance from U.S. Appl. No. 29/539,947, dated Sep. 2, 2016, 9 pages.
Non Final Office Action from U.S. Appl. No. 29/539,949, dated Aug. 3, 2016, 6 pages.
First Examiner Report from IN281611, dated Jul. 4, 2016, 2 pages.
First Examiner Report from IN281612, dated Jul. 4, 2016, 2 pages.
First Examiner Report from IN281613, dated Jul. 4, 2016, 2 pages.
First Examiner Report from IN281614, dated Jul. 13, 2016, 2 pages.

* cited by examiner

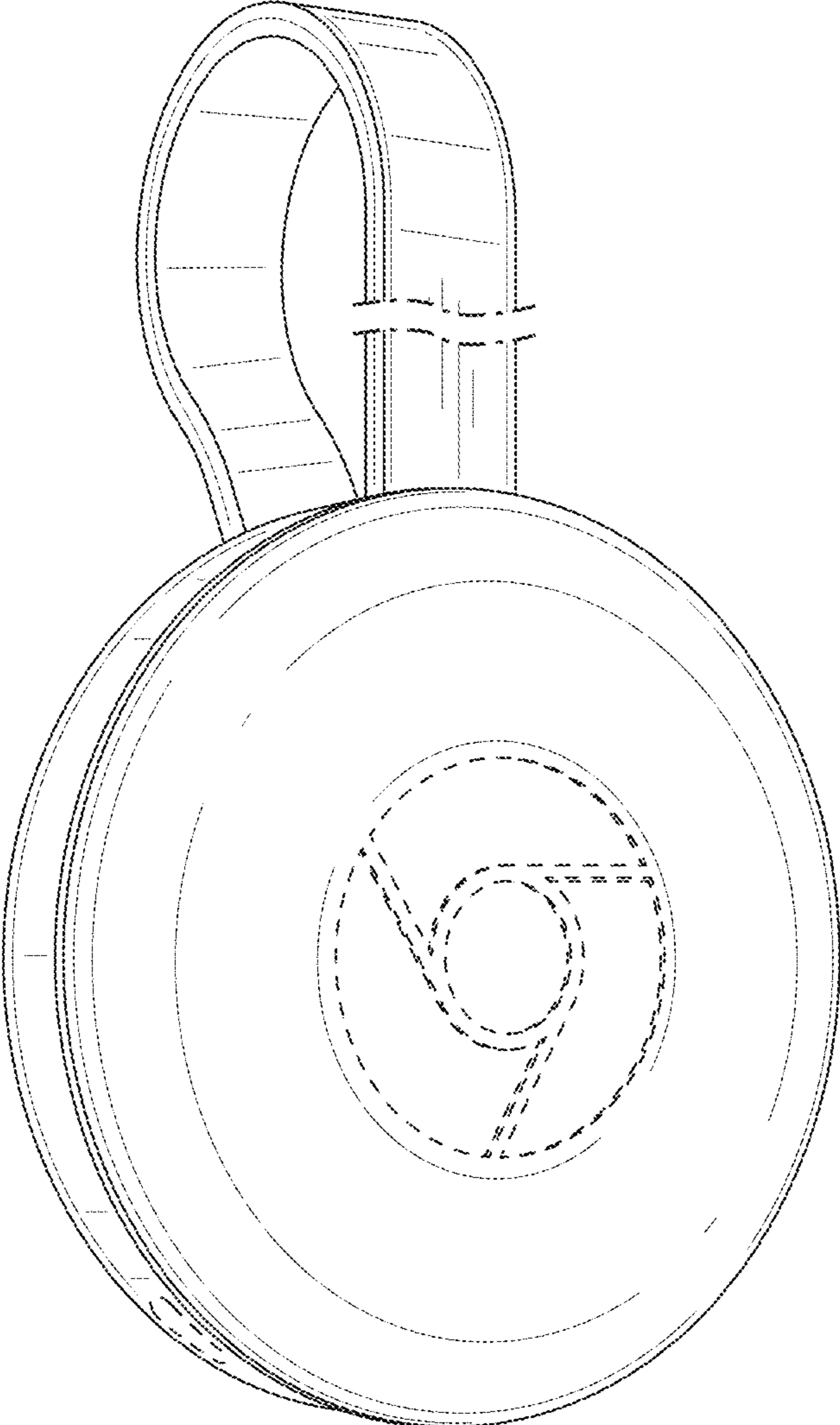


FIG. 1

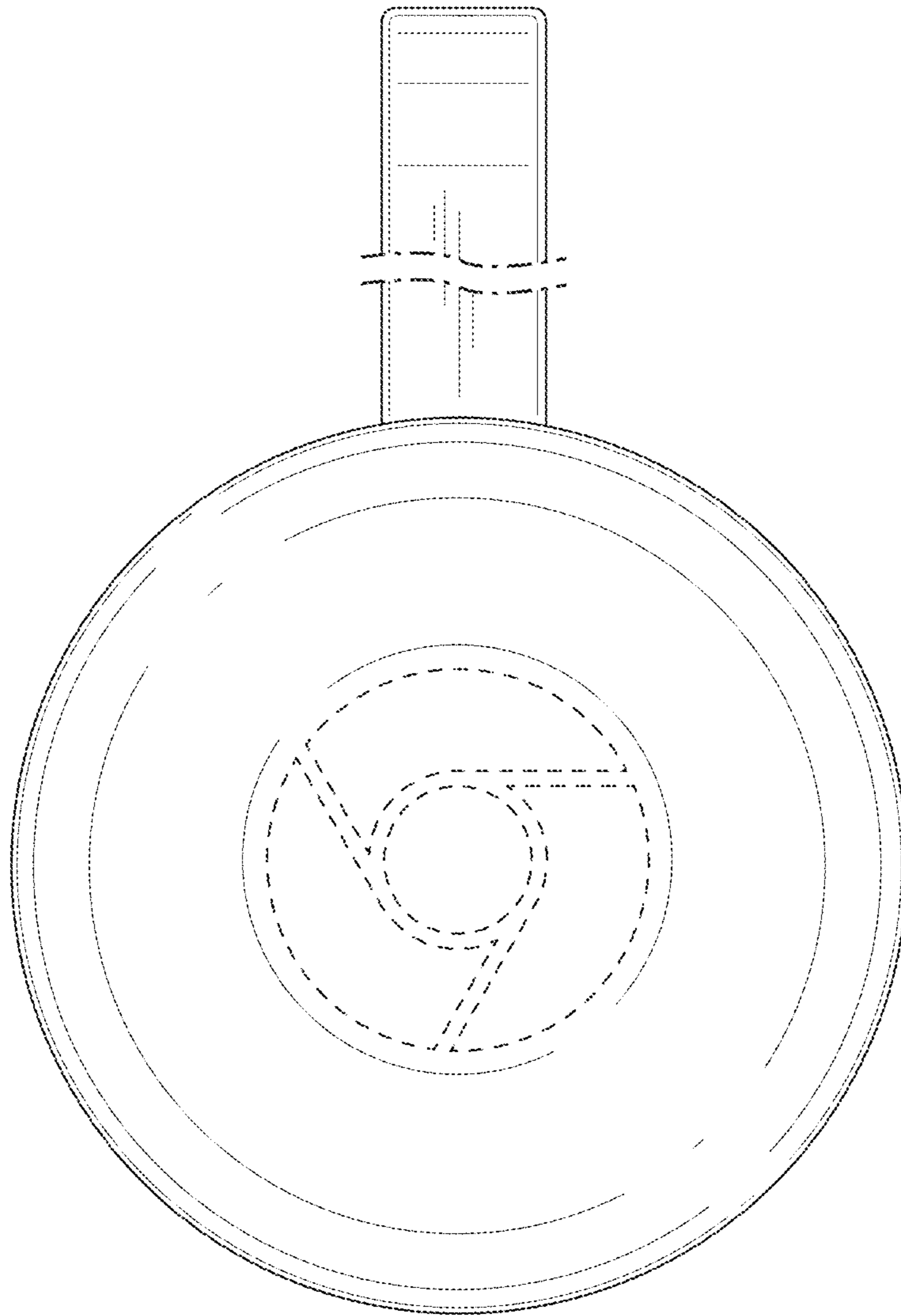


FIG. 2

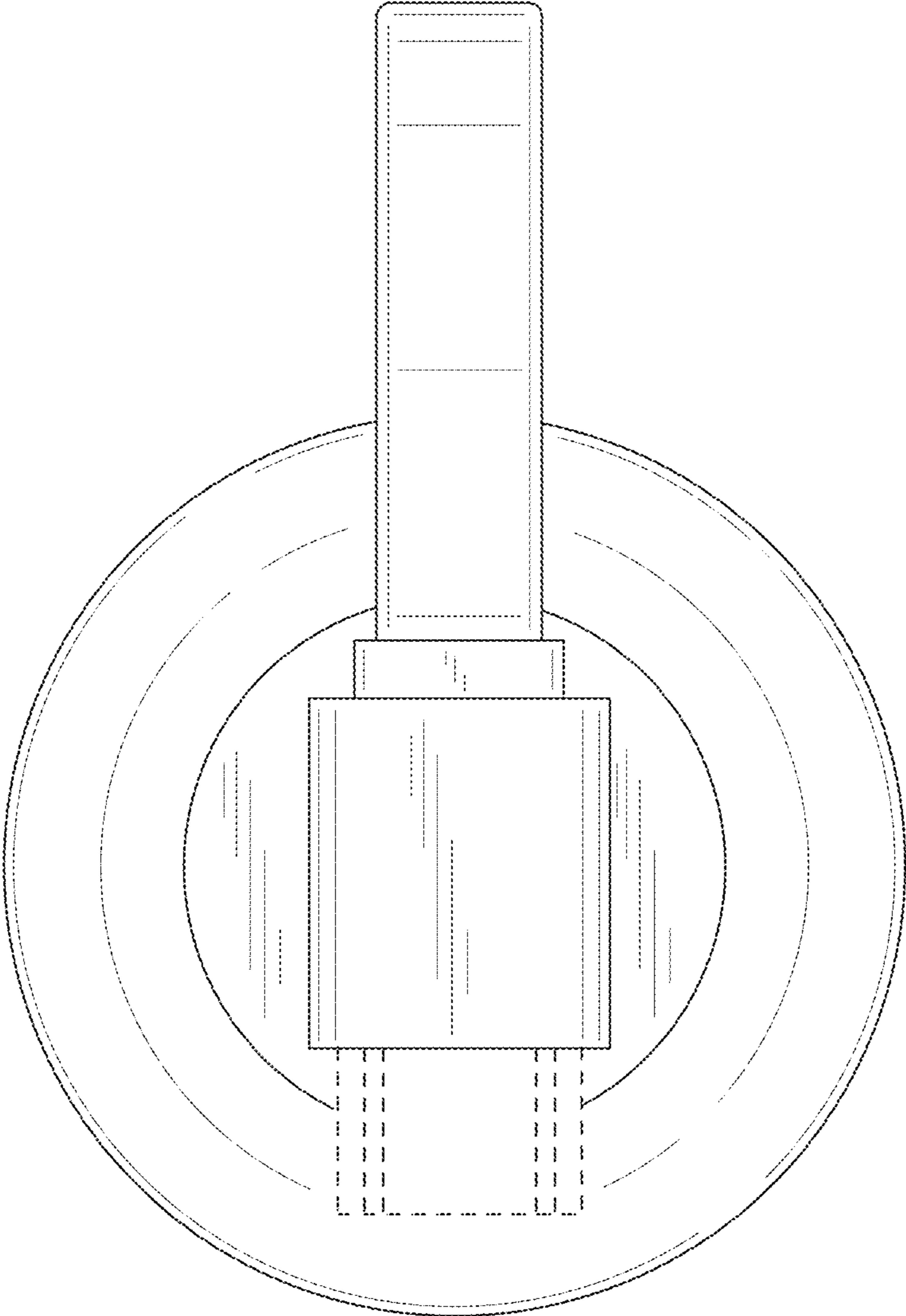


FIG. 3

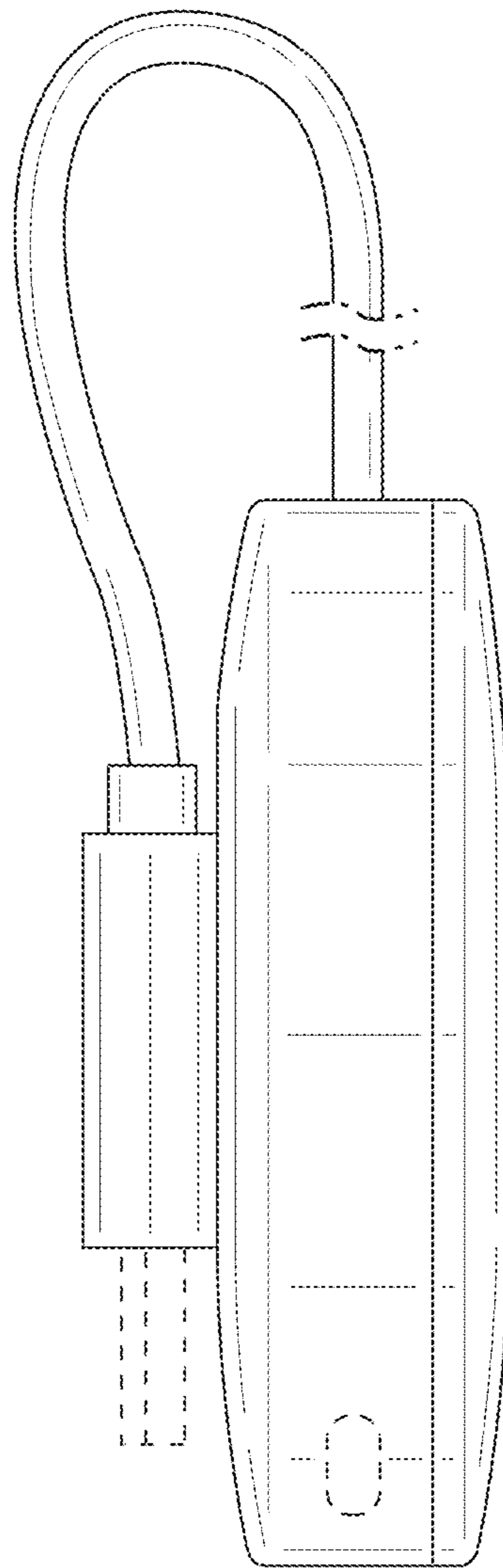


FIG. 4

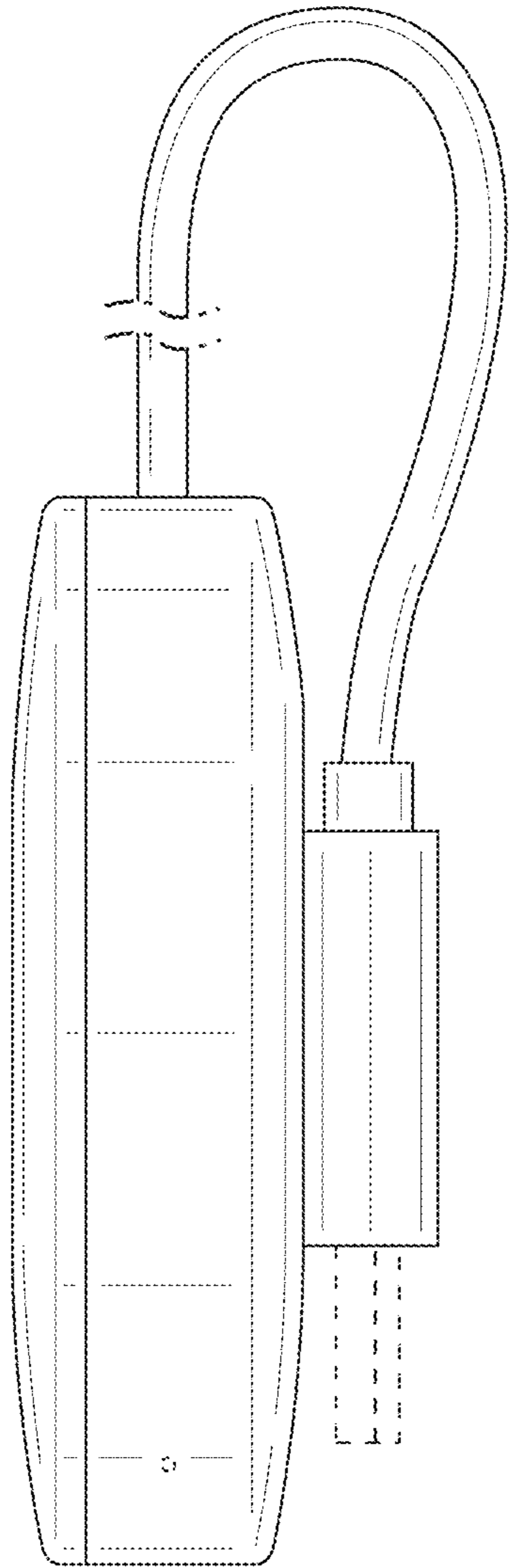


FIG. 5

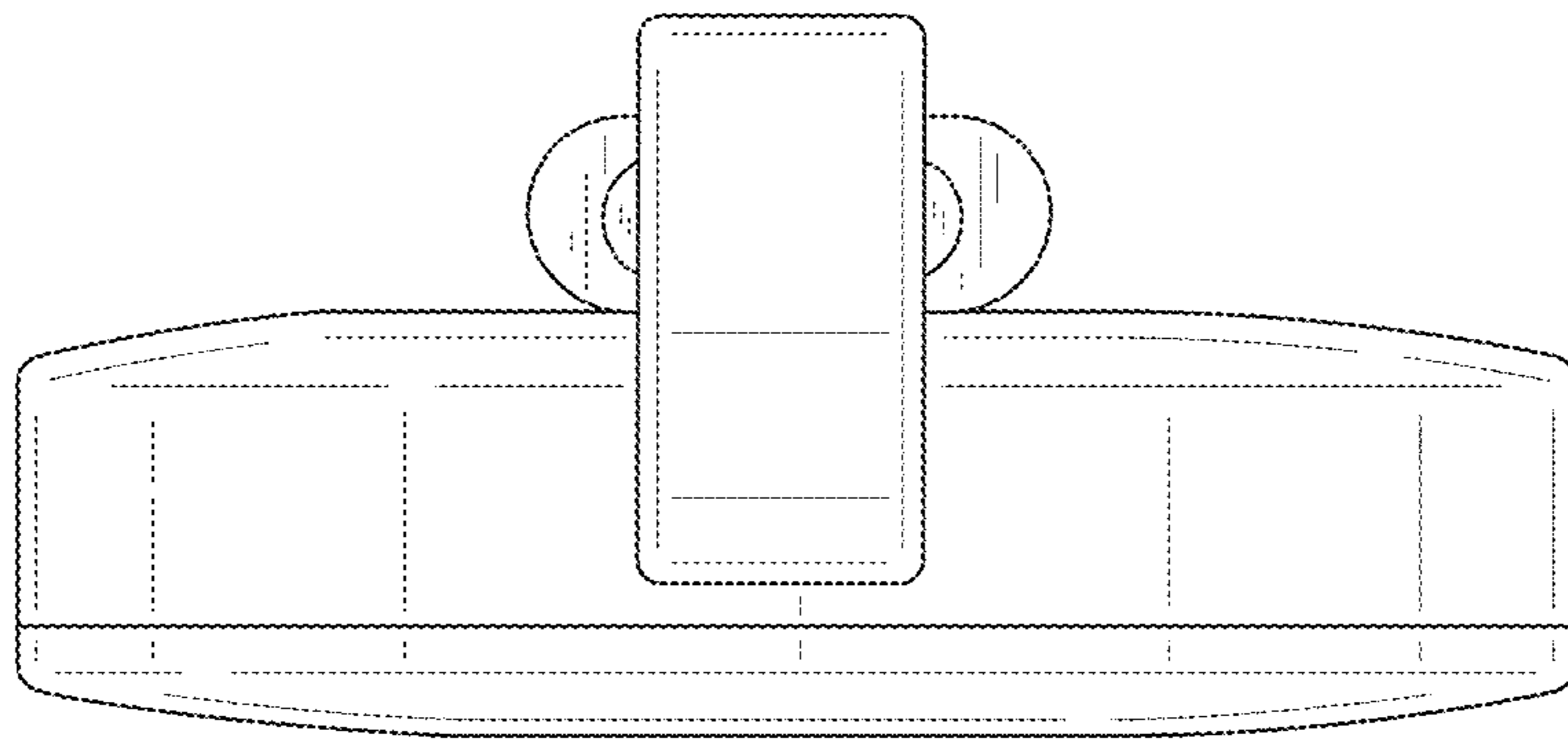


FIG. 6

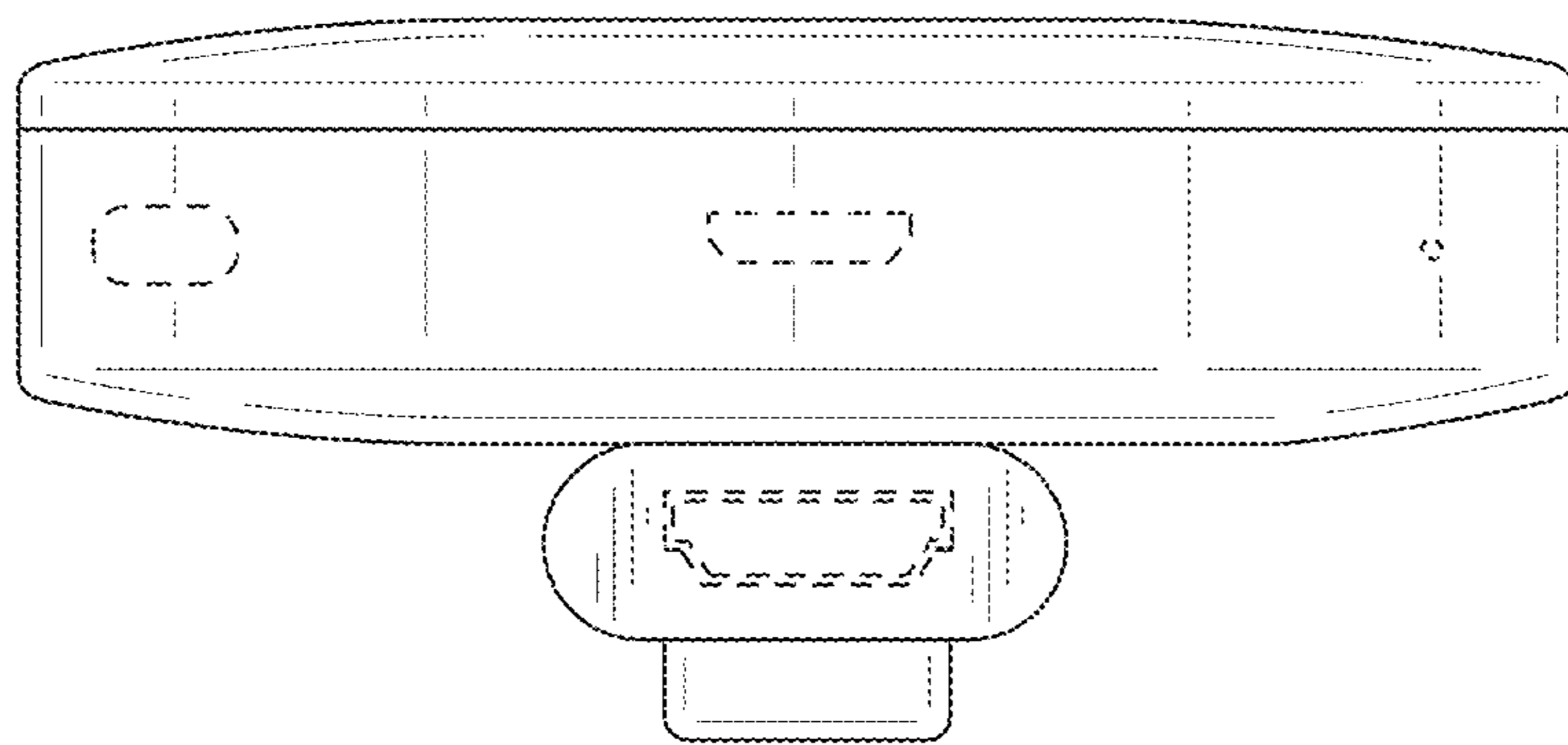


FIG. 7