



US00D797113S

(12) **United States Design Patent** (10) **Patent No.:** **US D797,113 S**  
**Wu** (45) **Date of Patent:** **\*\* Sep. 12, 2017**

(54) **PORTABLE STORAGE DEVICE**  
(71) Applicant: **Transcend Information, Inc.**, Taipei (TW)  
(72) Inventor: **Shih-Ting Wu**, Taipei (TW)  
(73) Assignee: **Transcend Information, Inc.**, Taipei (TW)

D611,944 S \* 3/2010 Kujawski ..... D14/435.1  
D625,730 S \* 10/2010 Cacioppo ..... D14/435.1  
D631,884 S \* 2/2011 Klein ..... D14/435.1  
D669,899 S \* 10/2012 Cheng ..... D14/435.1  
D736,702 S \* 8/2015 Ovadia ..... D13/108  
D737,202 S \* 8/2015 Liu ..... D13/108  
D754,139 S \* 4/2016 Billington ..... D14/480.1  
D759,030 S \* 6/2016 Kim ..... D14/480.1  
D773,476 S \* 12/2016 Shim ..... D14/480.5  
D773,477 S \* 12/2016 Shim ..... D14/480.5

\* cited by examiner

(\*\*) Term: **15 Years**

*Primary Examiner* — Angela J Lee

(21) Appl. No.: **29/565,070**

(74) *Attorney, Agent, or Firm* — Winston Hsu

(22) Filed: **May 17, 2016**

(57) **CLAIM**

(51) **LOC (10) Cl.** ..... **14-03**

The ornamental design for a portable storage device, as shown and described.

(52) **U.S. Cl.**

**DESCRIPTION**

USPC ..... **D14/480.1**

(58) **Field of Classification Search**

USPC ..... D14/435.1, 480.1–480.7

CPC ..... H05K 5/0278; G06K 19/07732

See application file for complete search history.

FIG. 1 is a front, right, top perspective view of a portable storage device showing my new design;  
FIG. 2 is a front view thereof;  
FIG. 3 is a rear view thereof;  
FIG. 4 is a left side view thereof;  
FIG. 5 is a right side view thereof;  
FIG. 6 is a top view thereof; and,  
FIG. 7 is a bottom view thereof.

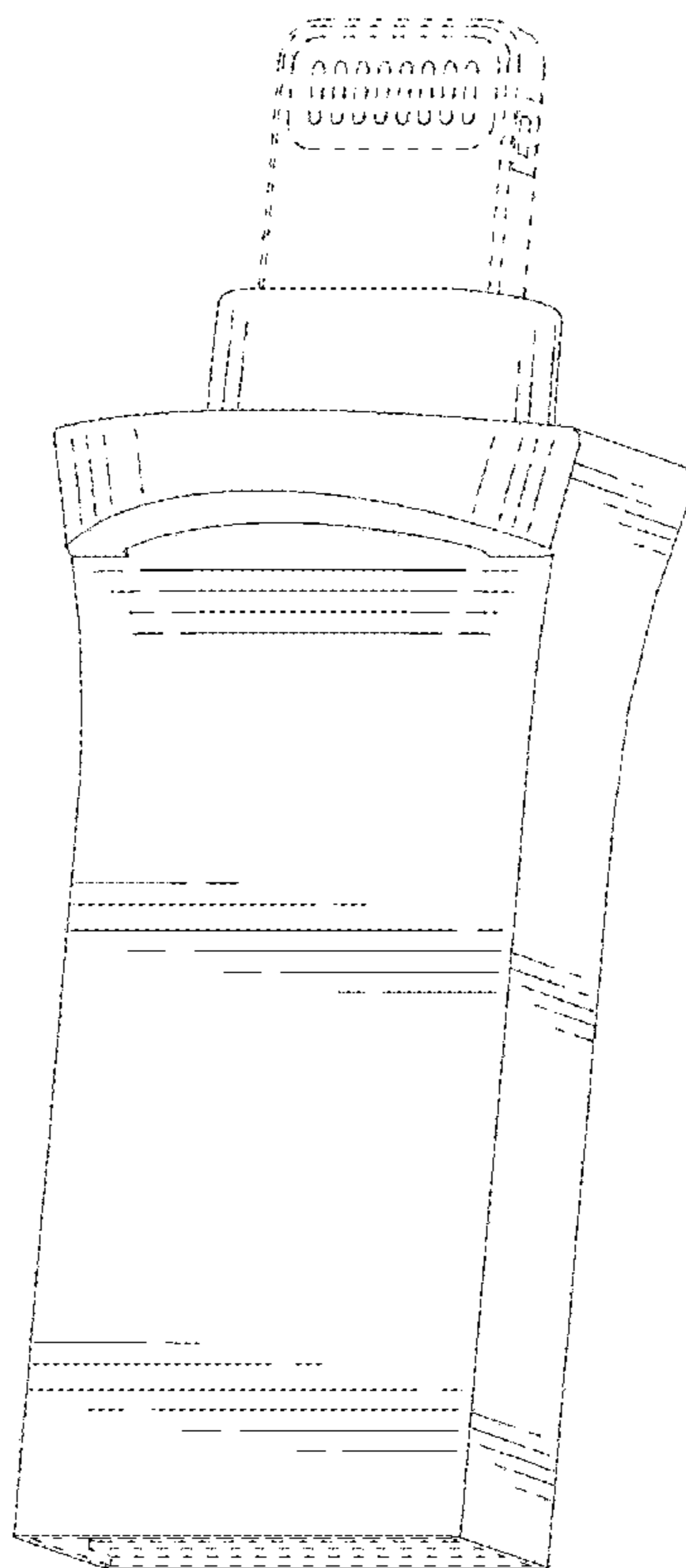
The broken lines shown represent unclaimed subject matter and form no part of the claimed design.

(56) **References Cited**

**U.S. PATENT DOCUMENTS**

D447,482 S \* 9/2001 Lin ..... D14/385  
D491,143 S \* 6/2004 Jiang ..... D14/435.1  
D534,448 S \* 1/2007 Shaffer, II ..... D10/104.1

**1 Claim, 6 Drawing Sheets**



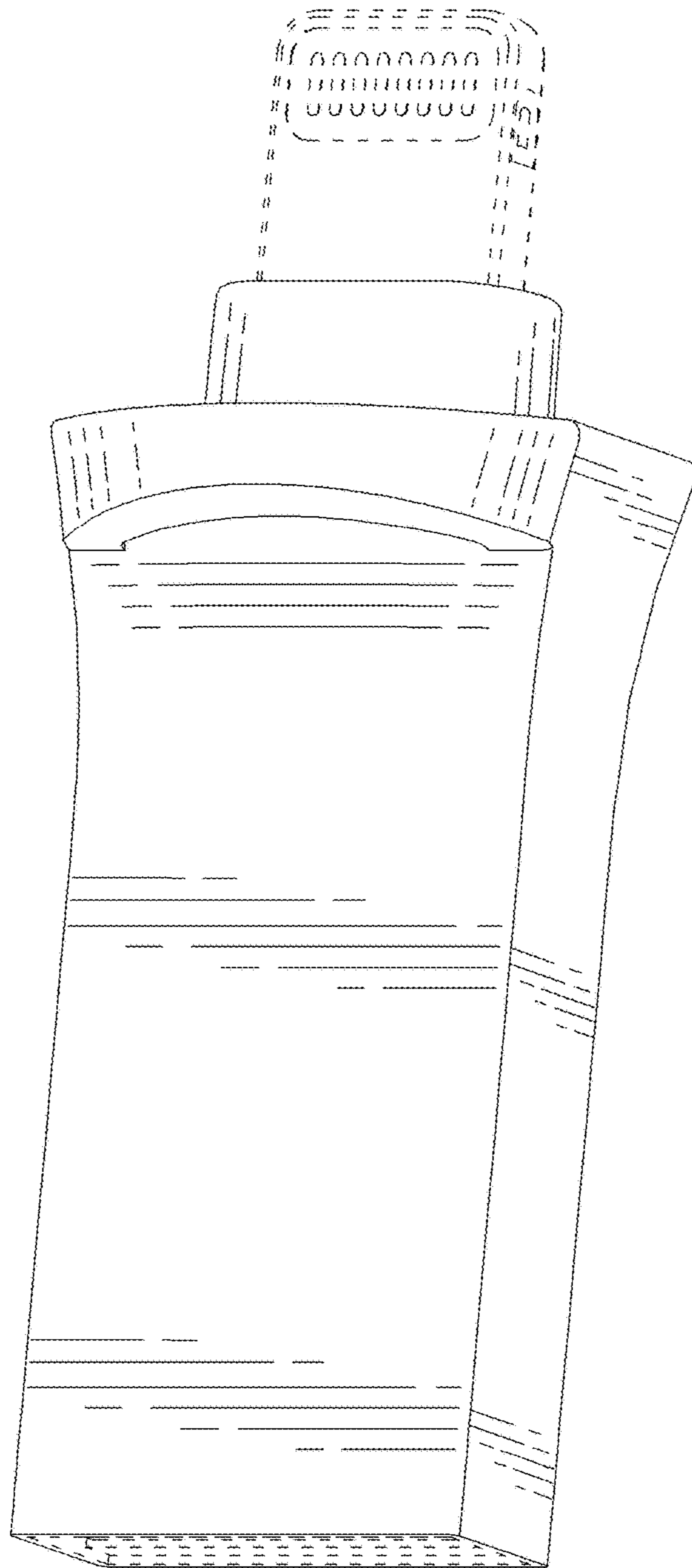


FIG. 1

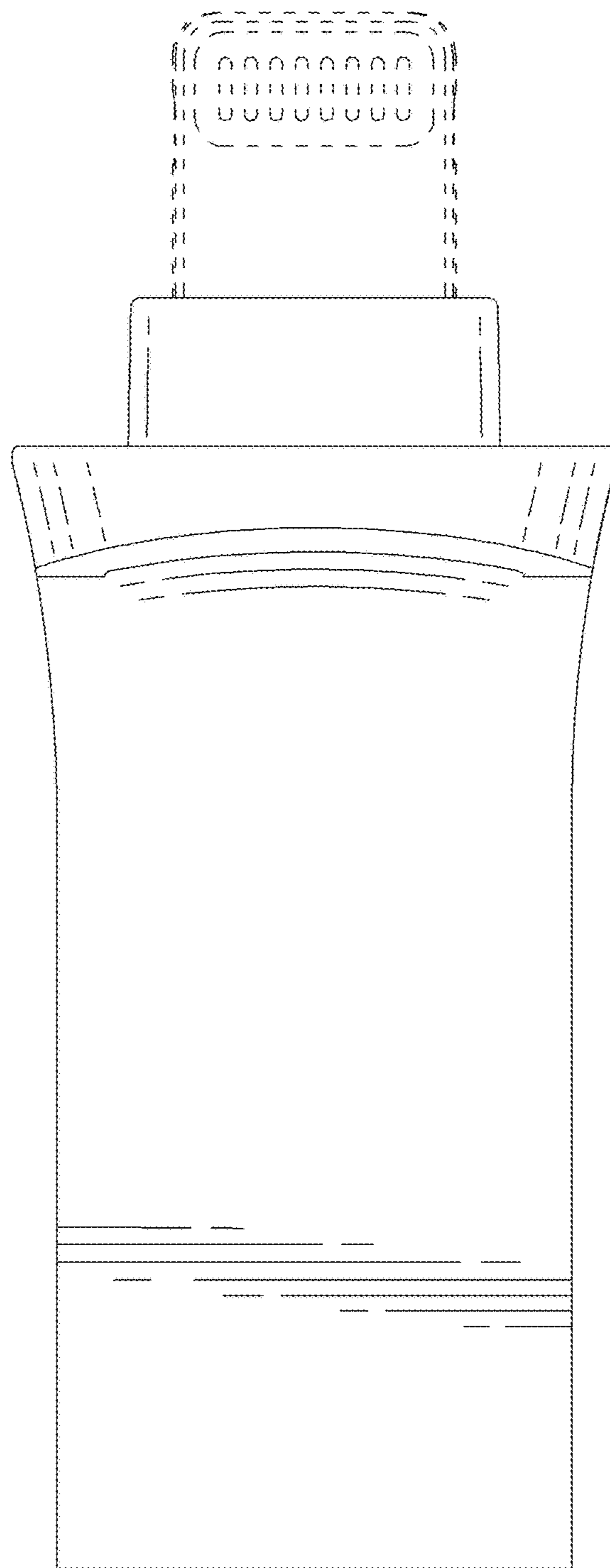


FIG. 2

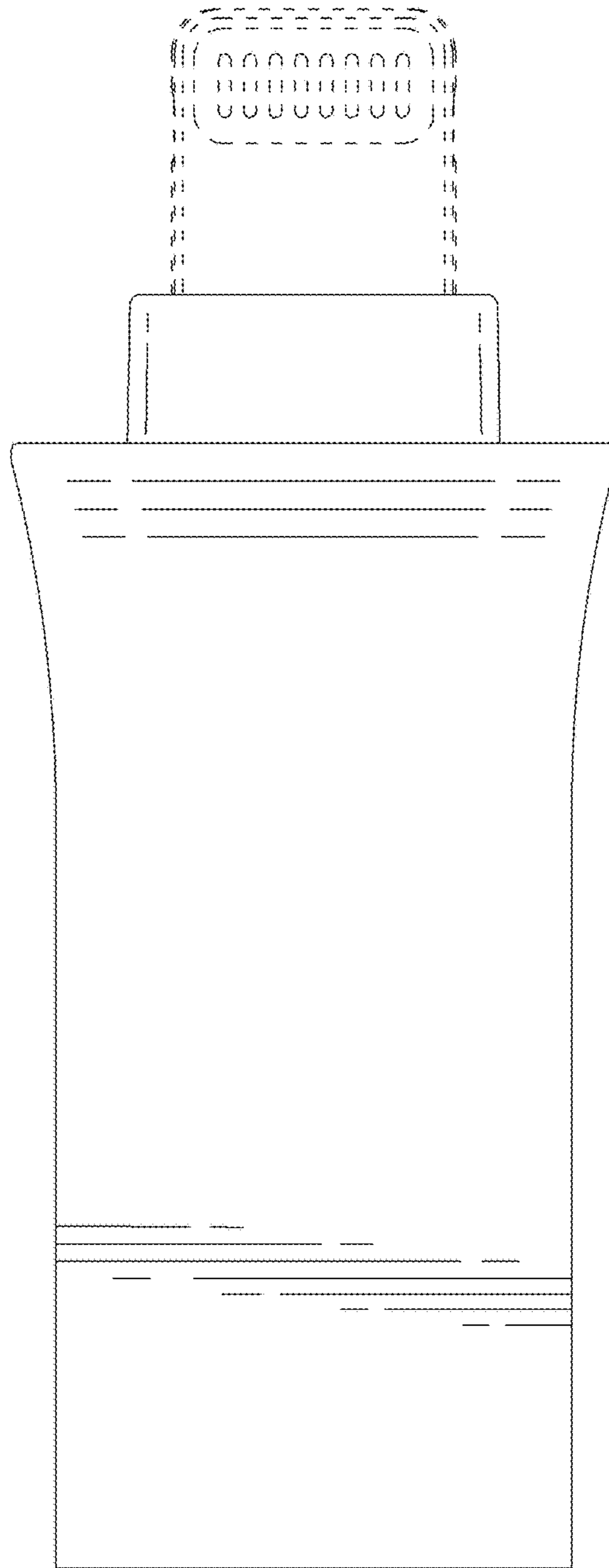


FIG. 3

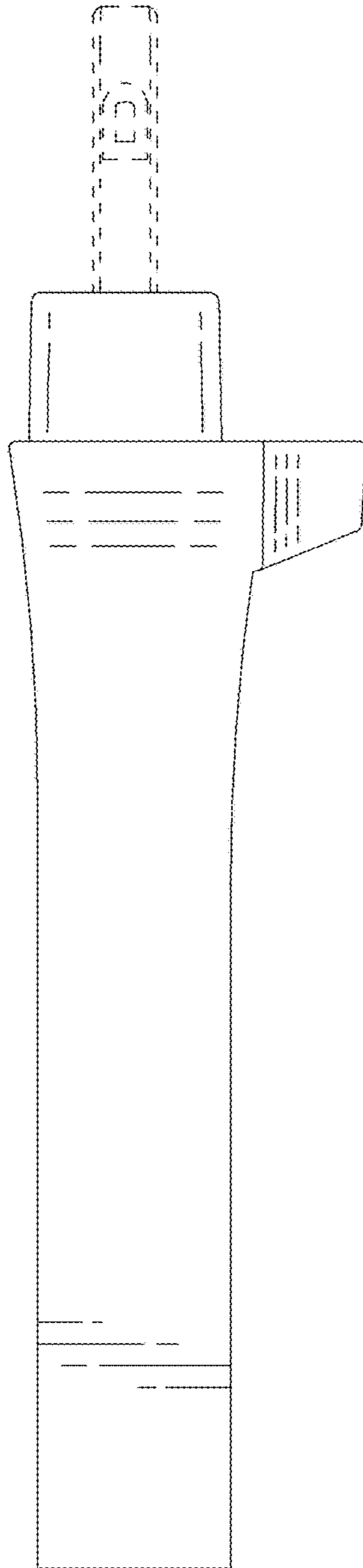


FIG. 4

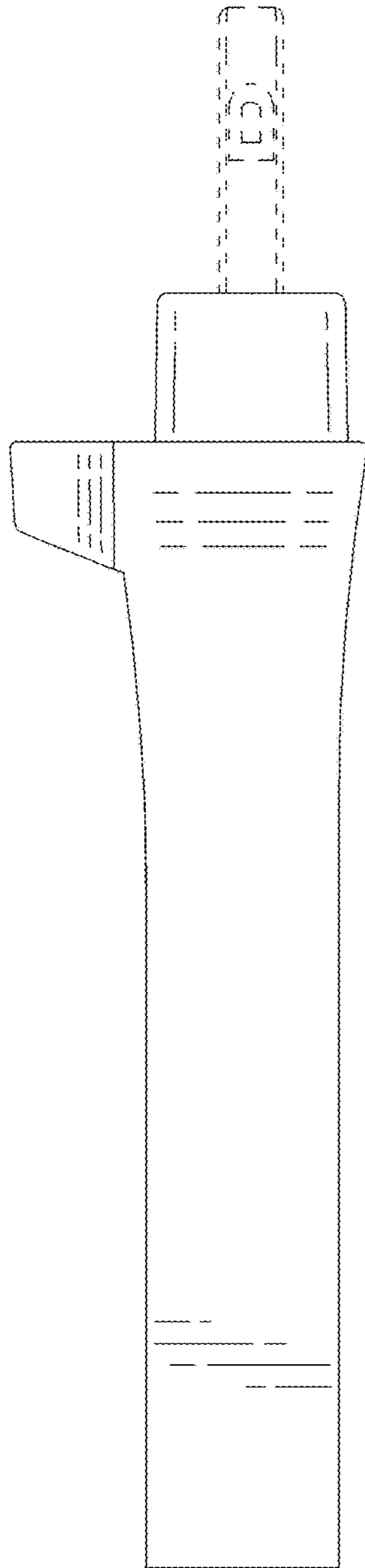


FIG. 5

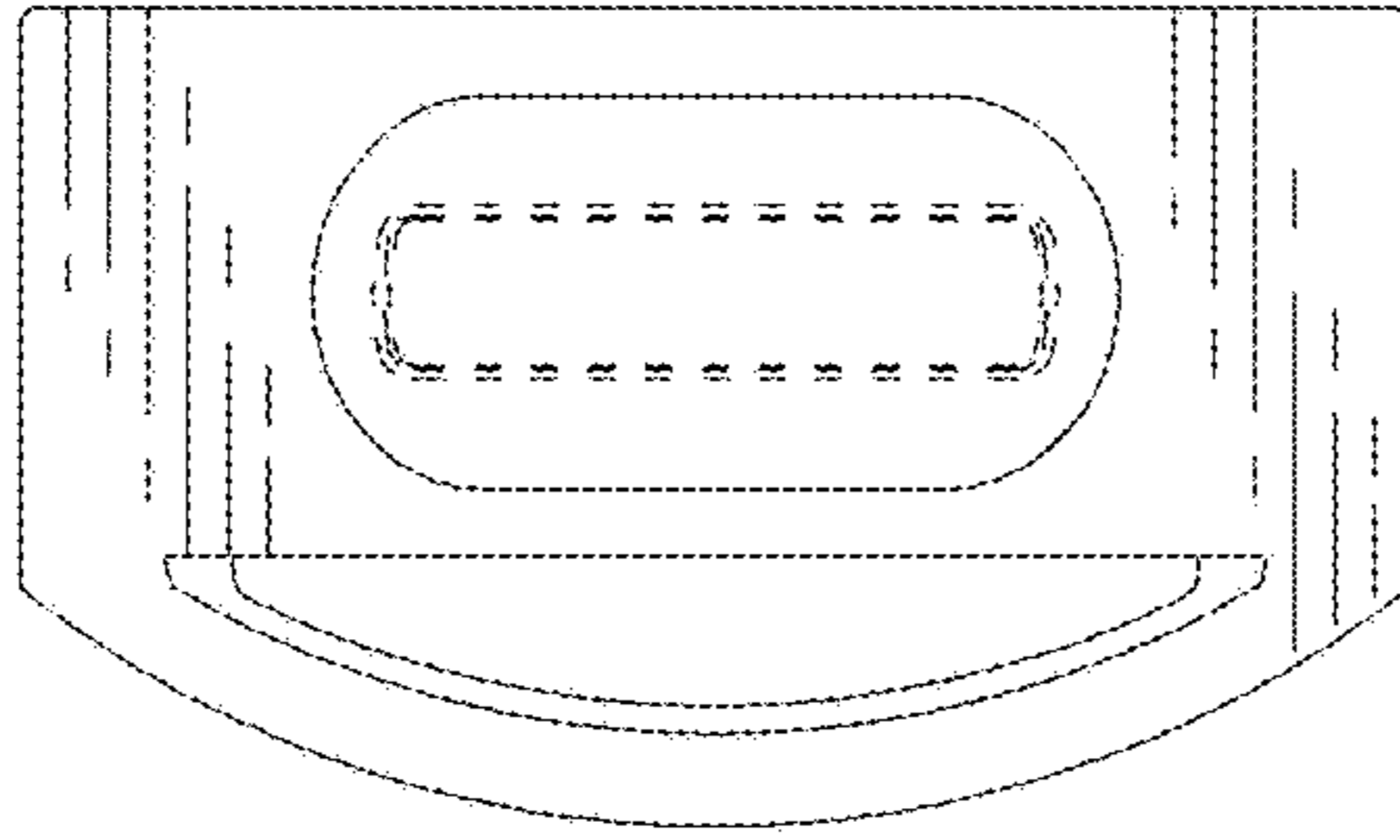


FIG. 6

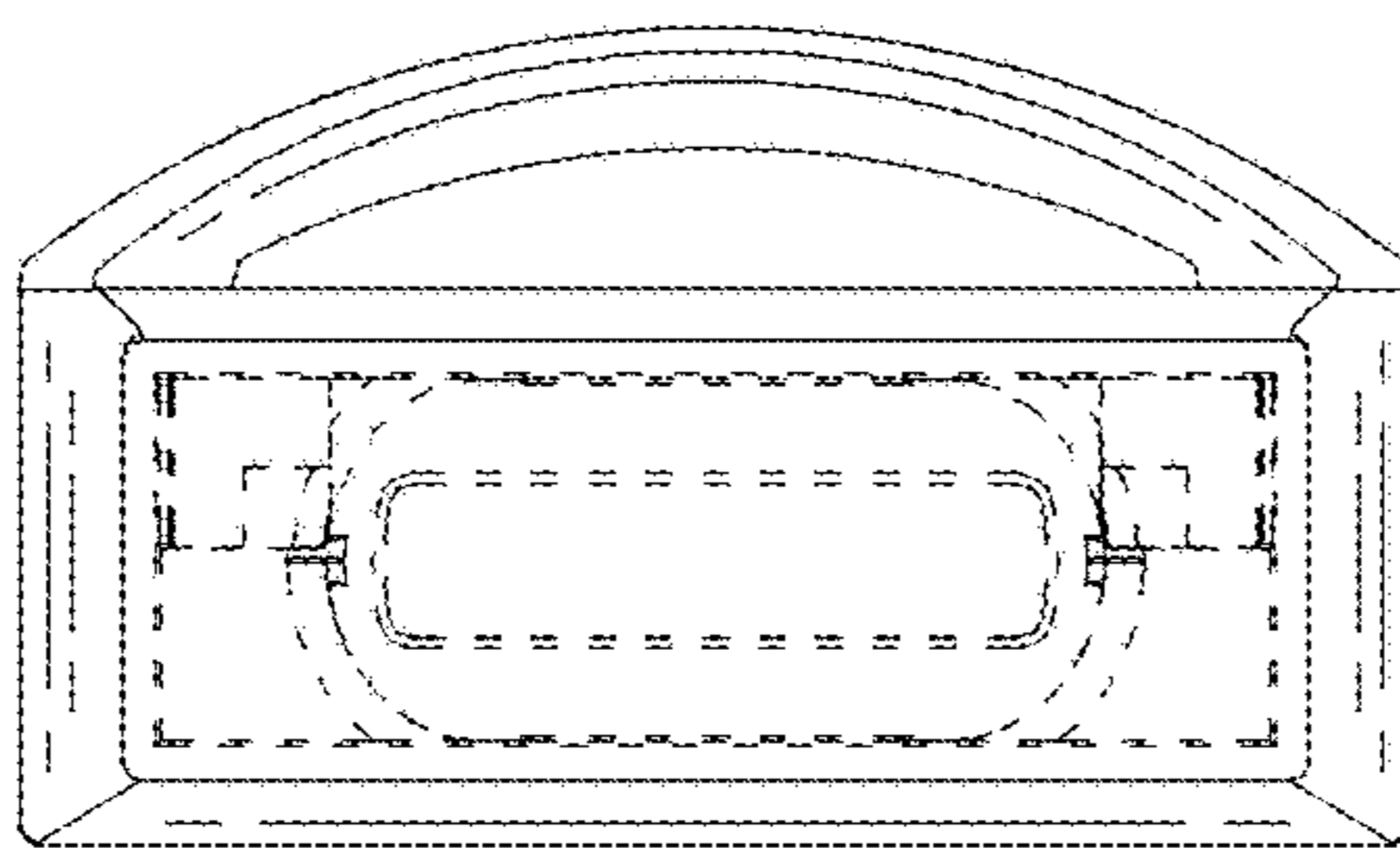


FIG. 7