



US00D797112S

(12) **United States Design Patent**  
**Sauvage et al.**

(10) **Patent No.:** **US D797,112 S**

(45) **Date of Patent:** **\*\* \*Sep. 12, 2017**

(54) **KEYBOARD LAYOUT FOR A PROTECTIVE COVER**

(71) Applicant: **Logitech Europe S.A.**, Lausanne (CH)

(72) Inventors: **Sylvain Sauvage**, La Tour-de-Peilz (CH); **Malachy Spollen**, Morges (CH); **Alexis Richard**, Morges (CH)

(73) Assignee: **Logitech Europe S.A.**, Lausanne (CH)

(\*) Notice: This patent is subject to a terminal disclaimer.

(\*\*) Term: **14 Years**

(21) Appl. No.: **29/519,539**

(22) Filed: **Mar. 5, 2015**

**Related U.S. Application Data**

(63) Continuation-in-part of application No. 29/443,801, filed on Jan. 22, 2013, now abandoned.

(51) **LOC (10) Cl.** ..... **14-03**

(52) **U.S. Cl.**  
USPC ..... **D14/455**

(58) **Field of Classification Search**  
USPC ..... D14/315-328, 331, 333, 338, 341, 387, D14/390-399, 406, 429, 440, 455-456, D14/485-487; D18/1, 2, 7, 11, 12.2  
CPC ..... G06F 1/1626; G06F 1/1669; H05K 7/00  
See application file for complete search history.

(56) **References Cited**

**U.S. PATENT DOCUMENTS**

D598,451 S *	8/2009	Andre	.....	D14/392
D691,135 S *	10/2013	Choi	.....	D14/392
D691,999 S *	10/2013	Gengler	.....	D14/392
D692,886 S *	11/2013	Bates	.....	D14/392
D693,822 S *	11/2013	Bates	.....	D14/440

8,599,542 B1 *	12/2013	Healey	.....	G06F 1/1626 345/168
D700,188 S *	2/2014	Gengler	.....	D14/455
D701,214 S *	3/2014	Gengler	.....	D14/447
8,760,404 B2 *	6/2014	Griffin	.....	G06F 1/1664 345/168
8,817,457 B1 *	8/2014	Colby	.....	G06F 1/1669 206/320
8,837,131 B1 *	9/2014	Colby	.....	G06F 1/1667 361/679.06
D714,780 S *	10/2014	Lee	.....	D14/315
D718,302 S *	11/2014	Lee	.....	D14/316
D718,763 S *	12/2014	Lee	.....	D14/315
D737,826 S *	9/2015	Sauvage	.....	D14/440
D740,831 S *	10/2015	Colby	.....	D14/455
D748,635 S *	2/2016	Hsu	.....	D14/440
D749,079 S *	2/2016	Hsu	.....	D14/440
D749,587 S *	2/2016	Lee	.....	D14/392
D749,595 S *	2/2016	Sauvage	.....	D14/440
D750,085 S *	2/2016	Hsu	.....	D14/440

(Continued)

*Primary Examiner* — Sandra Snapp

*Assistant Examiner* — Holly E Thurman

(74) *Attorney, Agent, or Firm* — Kilpatrick Townsend & Stockton LLP

(57) **CLAIM**

The ornamental design for a keyboard layout for a protective cover, as shown and described.

**DESCRIPTION**

FIG. 1 is a perspective view of a first embodiment of keyboard layout for a protective cover showing our new design;

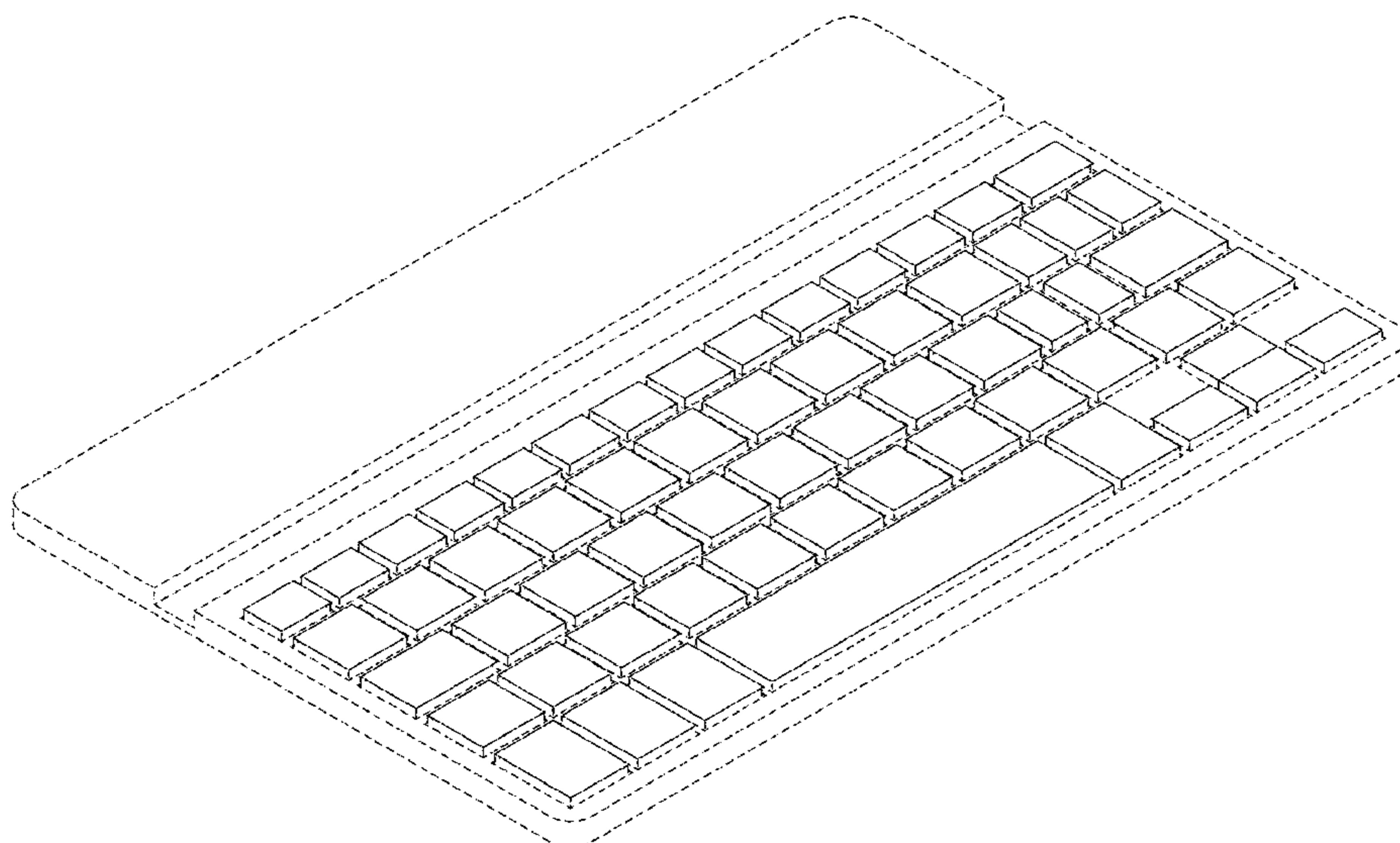
FIG. 2 is a top plan view thereof;

FIG. 3 is a perspective view of a second embodiment of keyboard layout for a protective cover showing our new design; and,

FIG. 4 is a top plan view thereof.

The broken lines shown represent unclaimed subject matter and form no part of the claimed design.

**1 Claim, 4 Drawing Sheets**



(56)

**References Cited**

U.S. PATENT DOCUMENTS

D753,121 S *	4/2016	Sauvage .....	D14/440
D755,781 S *	5/2016	Schoenith .....	D14/315
D757,024 S *	5/2016	Bowers .....	D14/455
2014/0267050 A1 *	9/2014	Spollen .....	G06F 3/0219 345/168

\* cited by examiner

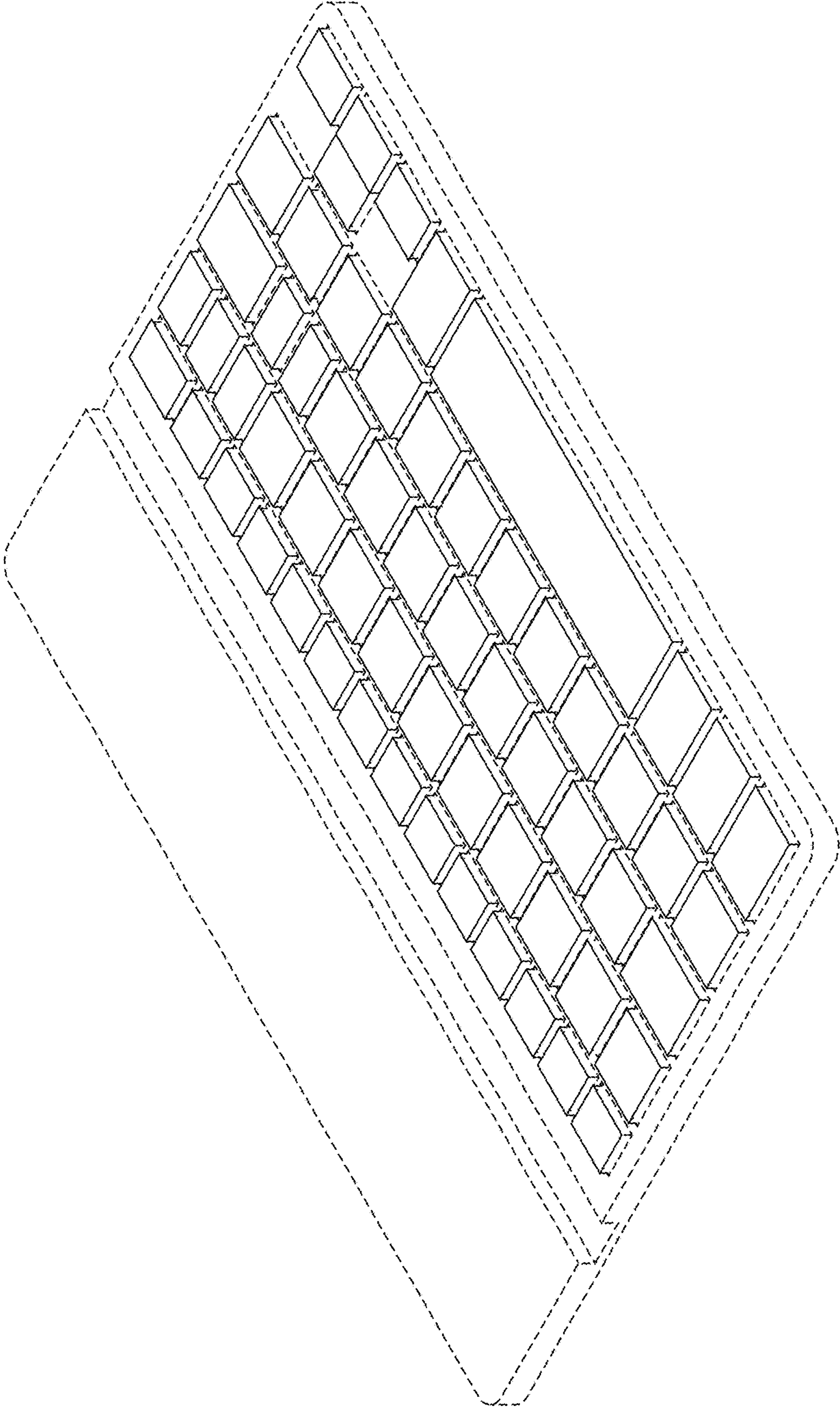


FIG. 1

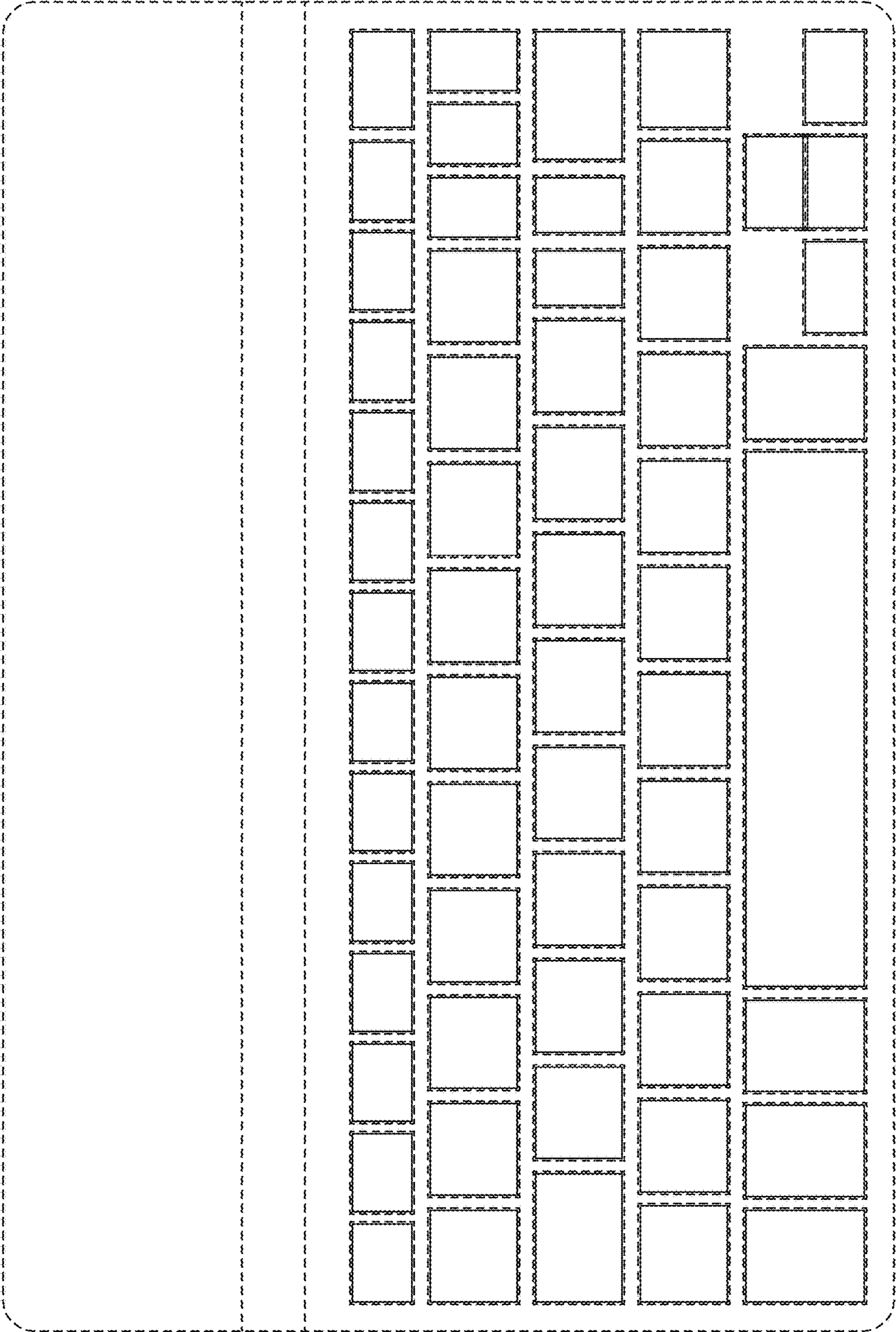


FIG. 2

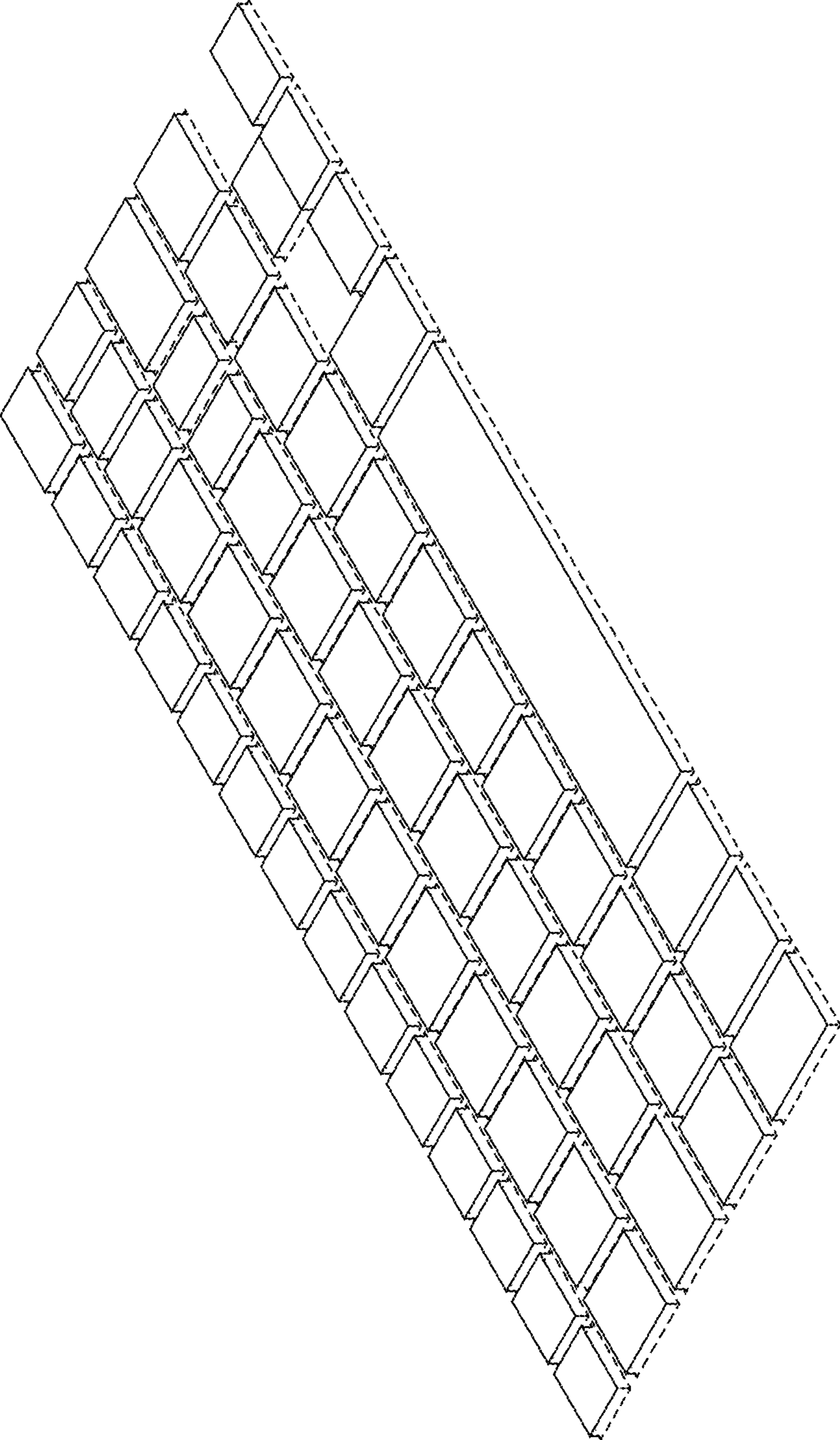


FIG. 3

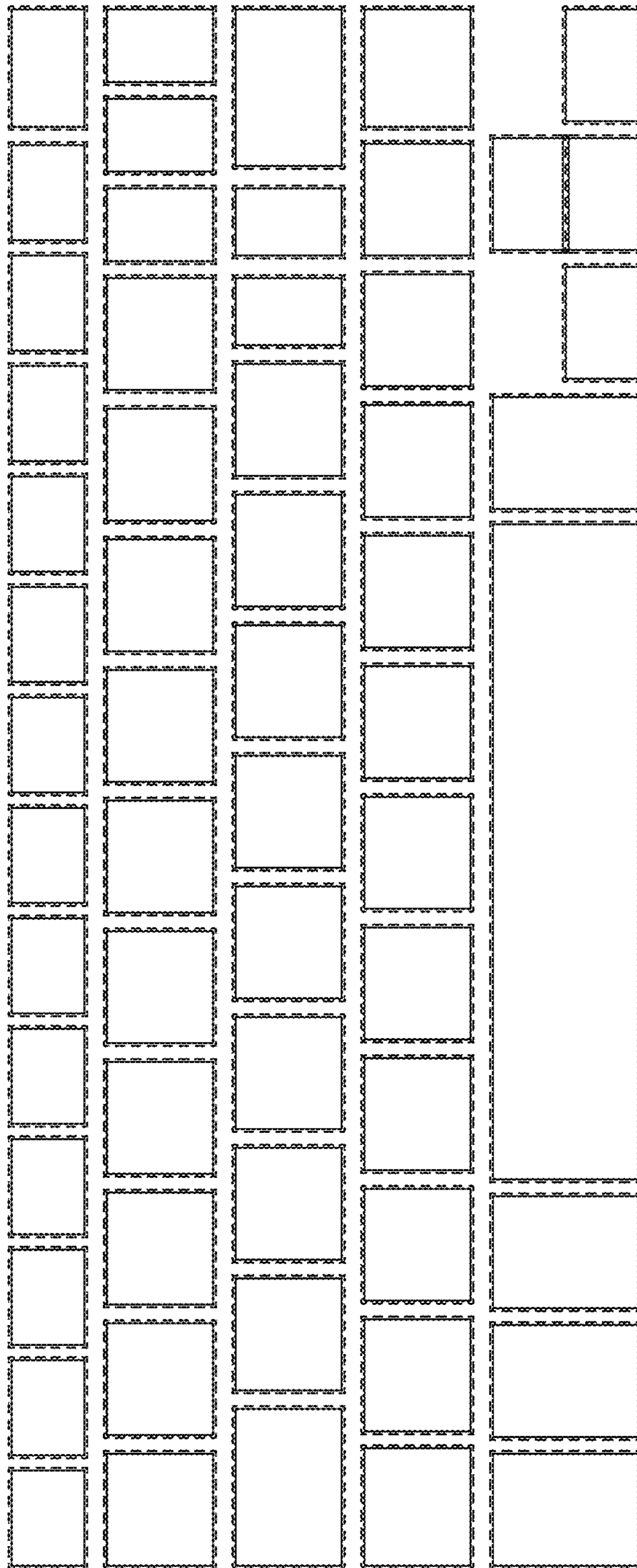


FIG. 4