



US00D797101S

(12) **United States Design Patent** (10) **Patent No.:** **US D797,101 S**
Wieser et al. (45) **Date of Patent:** **** Sep. 12, 2017**

(54) **APPARATUS FOR RECORDING,
TRANSMISSION OR PROCESSING OF
INFORMATION**

(74) *Attorney, Agent, or Firm* — Maginot, Moore & Beck
LLP

(71) Applicant: **Robert Bosch GmbH**, Stuttgart (DE)

(57) **CLAIM**

(72) Inventors: **Matthias Wieser**, Wendlingen (DE);
Andreas Dimitriadis, Lorch (DE)

The ornamental design for an apparatus for recording,
transmission or processing information, as shown and
described.

(73) Assignee: **Robert Bosch GmbH**, Stuttgart (DE)

(**) Term: **15 Years**

DESCRIPTION

(21) Appl. No.: **29/536,740**

(22) Filed: **Aug. 19, 2015**

(30) **Foreign Application Priority Data**

Feb. 20, 2015 (EM) 002638122

(51) **LOC (10) Cl.** **14-02**

(52) **U.S. Cl.**
USPC **D14/358**; D14/300; D14/496

(58) **Field of Classification Search**
USPC D14/356–358, 388, 496, 137, 140, 155,
D14/225, 226, 230, 240, 242, 243, 299,
(Continued)

Cross reference is made to copending U.S. design patent
application Ser. No. 29/536,724 entitled “Apparatus for
Recording, Transmission or Processing of Information” by
Kreeb et al., filed on even date herewith; U.S. design patent
application Ser. No. 29/536,734 entitled “Apparatus for
Recording, Transmission or Processing of Information” by
Kreeb et al., filed on even date herewith; and U.S. design
patent application Ser. No. 29/536,737 entitled “Apparatus
for Recording, Transmission or Processing of Information”
by Kreeb et al., filed on even date herewith.

FIG. 1 is a front perspective view of an apparatus for
recording, transmission or processing information showing
our new design;

FIG. 2 is a rear perspective view showing the design for the
apparatus for recording, transmission or processing infor-
mation of FIG. 1;

FIG. 3 is a front elevational view showing the design for the
apparatus for recording, transmission or processing infor-
mation of FIG. 1;

FIG. 4 is a rear elevational view showing the design for the
apparatus for recording, transmission or processing infor-
mation of FIG. 1;

FIG. 5 is a left side elevational view showing the design for
the apparatus for recording, transmission or processing
information of FIG. 1;

FIG. 6 is a right side elevational view showing the design for
the apparatus for recording, transmission or processing
information of FIG. 1;

FIG. 7 is a top plan view showing the design for the
apparatus for recording, transmission or processing infor-
mation of FIG. 1; and,

(56) **References Cited**

U.S. PATENT DOCUMENTS

D460,443 S * 7/2002 Brunner D14/240
D461,187 S * 8/2002 Andre D14/356
(Continued)

OTHER PUBLICATIONS

Information recording transmission processing apparatus.
(Design—© Questel). orbit.com [online PDF] 27 pages. Print Date
Feb. 17, 2016 [retrieved on Dec. 10, 2016] [https://sobjprd.questel.
fr/export/QPTUJ214/pdf2/d3f26407-b21b-4b3d-9eea-
f9b02f3f40bc-153725.pdf](https://sobjprd.questel.fr/export/QPTUJ214/pdf2/d3f26407-b21b-4b3d-9eea-f9b02f3f40bc-153725.pdf).*

Primary Examiner — Susan Bennett Hattan

Assistant Examiner — Marie Fast Horse

(Continued)

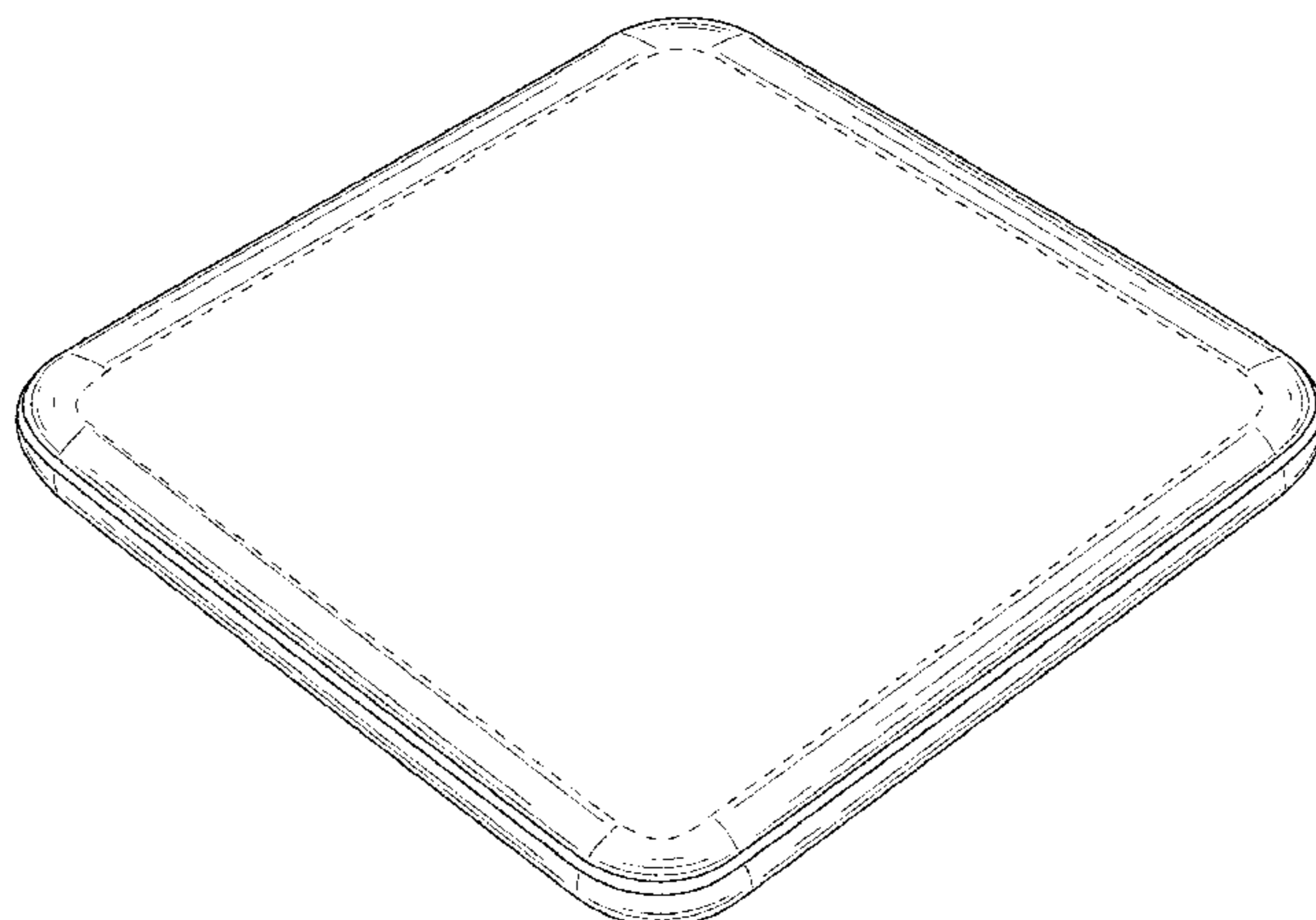


FIG. 8 is a bottom plan view showing the design for the apparatus for recording, transmission or processing information of FIG. 1.

1 Claim, 5 Drawing Sheets

(58) **Field of Classification Search**

USPC D14/300, 301, 302, 307, 314, 328, 348,
D14/349, 353, 354, 341, 138 R, 138 AA,
D14/138 G; D13/123, 158, 162, 162.1,
D13/164, 168, 171-174, 184, 199;
D10/61, 65, 103, 104.1, 121, 46, 106.1,
D10/106.2, 106.3, 106.6, 106.99
CPC ... H04W 88/00; H04W 88/02; H04W 88/005;
H04W 88/08; H04W 88/085; H04W
88/10; H04W 88/12; H04W 84/04; H04W
84/042; H04W 84/045; H04W 84/047;
H04W 84/105

See application file for complete search history.

(56) **References Cited**

U.S. PATENT DOCUMENTS

D475,370	S	*	6/2003	Bone	D14/301
D531,025	S	*	10/2006	Tanner	D9/426
D544,463	S	*	6/2007	Harris	D14/168
D563,994	S	*	3/2008	Liu	D14/356
D571,351	S	*	6/2008	Sogabe	D14/168
D585,395	S	*	1/2009	Cho	D14/125
D590,827	S	*	4/2009	Song	D14/356
D592,647	S	*	5/2009	L'Henaff	D14/240
D594,874	S	*	6/2009	Sheba	D14/496
D594,875	S	*	6/2009	Sheba	D14/203.3
D594,877	S	*	6/2009	Iino	D14/502
D598,375	S	*	8/2009	Nomi	D13/108
D601,583	S	*	10/2009	Andre	D14/496
D602,020	S	*	10/2009	Haspil	D14/358
D616,875	S	*	6/2010	Oh	D14/188
D623,133	S	*	9/2010	Nomi	D13/108
D624,541	S	*	9/2010	Kemery	D14/240
D629,012	S	*	12/2010	Lee	D14/496
D629,827	S	*	12/2010	Morenstein	D16/221
D636,724	S	*	4/2011	Nomi	D13/108
D637,951	S	*	5/2011	Perez	D13/108
D638,003	S	*	5/2011	Chen	D14/203.7
D642,173	S	*	7/2011	Lee	D14/365
D644,222	S	*	8/2011	Woo	D14/365
D646,272	S	*	10/2011	Woo	D14/365

D647,896	S	*	11/2011	Chen	D14/314
D648,270	S	*	11/2011	Jiang	D13/103
D648,298	S	*	11/2011	Pierce	D14/138 G
D648,689	S	*	11/2011	Mehlsen	D14/125
D649,541	S	*	11/2011	Morenstein	D14/314
D649,945	S	*	12/2011	Kim	D14/125
D650,377	S	*	12/2011	Akana	D14/314
D654,885	S	*	2/2012	Isaias	D14/125
D654,908	S	*	2/2012	Chuang	D14/218
D654,917	S	*	2/2012	Chaturvedi	D14/358
D657,784	S	*	4/2012	Akana	D14/314
D660,834	S	*	5/2012	Akana	D14/314
8,180,410	B2	*	5/2012	Kim	H04M 1/0266 345/32
D662,496	S	*	6/2012	Lewis	D14/240
D662,904	S	*	7/2012	Wu	D14/125
D664,126	S	*	7/2012	Feit	D14/230
D664,130	S	*	7/2012	Lee	D14/240
D667,005	S	*	9/2012	Lutz	D14/314
D680,540	S	*	4/2013	Lee	D14/217
D682,806	S	*	5/2013	Smith	D14/155
D684,957	S	*	6/2013	Smith	D14/242
D686,201	S	*	7/2013	Lee	D14/314
D689,485	S	*	9/2013	Chong	D14/366
D704,627	S	*	5/2014	Huang	D13/107
D705,160	S	*	5/2014	Ormesher	D13/108
D707,667	S	*	6/2014	Kono	D14/240
D713,405	S	*	9/2014	Akana	D14/349
D716,798	S	*	11/2014	Kurimoto	D14/341
D718,271	S	*	11/2014	McTague	D14/203.1
D719,153	S	*	12/2014	Lim	D14/356
D719,505	S	*	12/2014	Kim	D13/108
D719,561	S	*	12/2014	Akana	D14/314
D720,322	S	*	12/2014	Lee	D14/138 G
D722,962	S	*	2/2015	Kim	D13/108
D723,459	S	*	3/2015	Dang	D13/108
D726,107	S	*	4/2015	Mudge	D13/110
D729,216	S	*	5/2015	Peng	D14/240
D732,010	S	*	6/2015	Hsiau	D14/240
D732,512	S	*	6/2015	Fariello	D14/230
D733,080	S	*	6/2015	Kuh	D14/125
D733,788	S	*	7/2015	Baker	D16/237
D740,262	S	*	10/2015	Hasegawa	D14/240
D740,809	S	*	10/2015	Kwon	D14/250
D744,483	S	*	12/2015	Barbu	D14/358
D753,644	S	*	4/2016	Hsieh	D14/314
D754,751	S	*	4/2016	Kusano	D14/203.3
D756,991	S	*	5/2016	Day	D14/314
D765,073	S	*	8/2016	Niizawa	D14/356
D768,015	S	*	10/2016	Yang	D10/118.2
D768,589	S	*	10/2016	Shin	D14/125
D768,607	S	*	10/2016	Altonen	D14/240

* cited by examiner

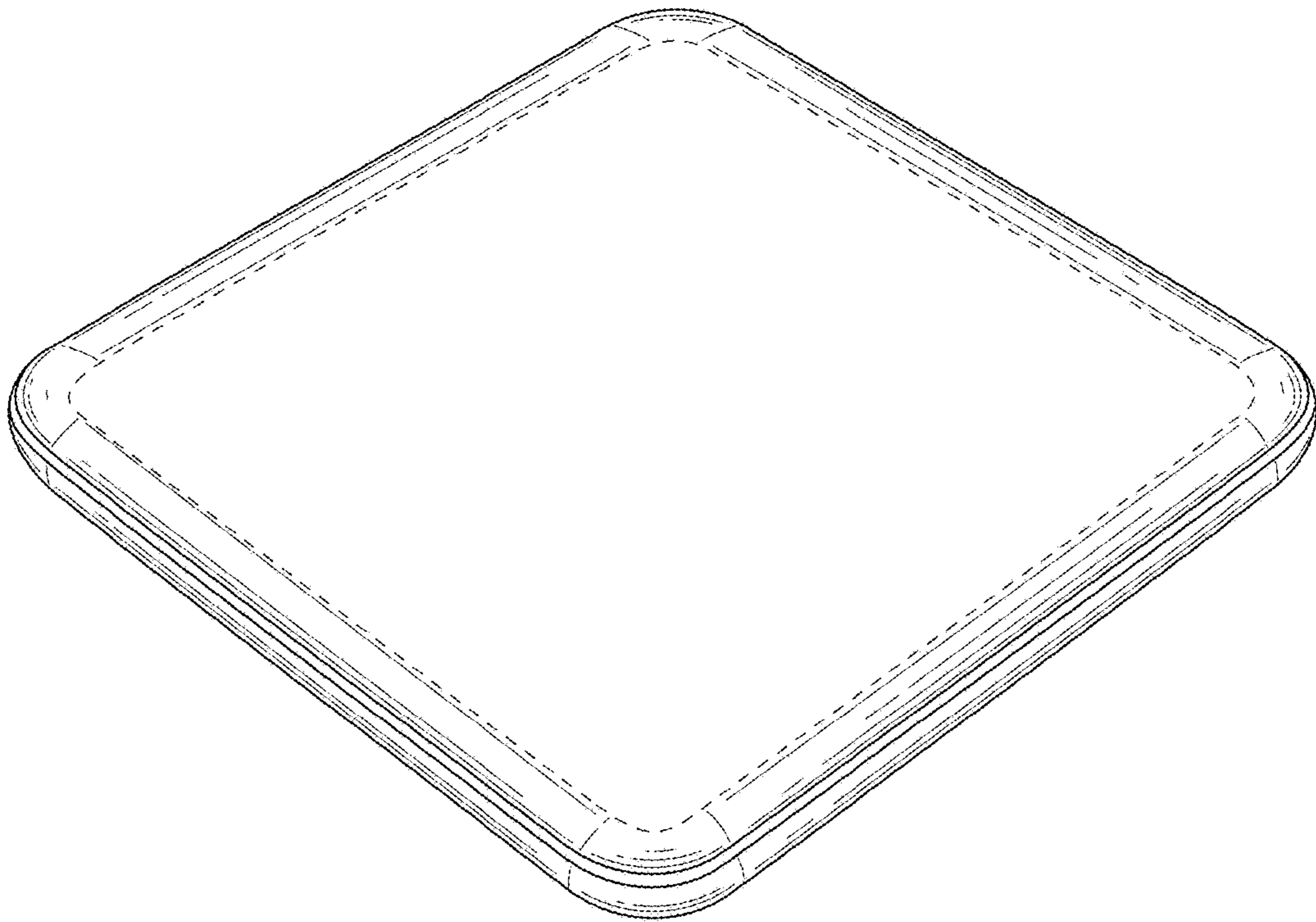


FIG. 1

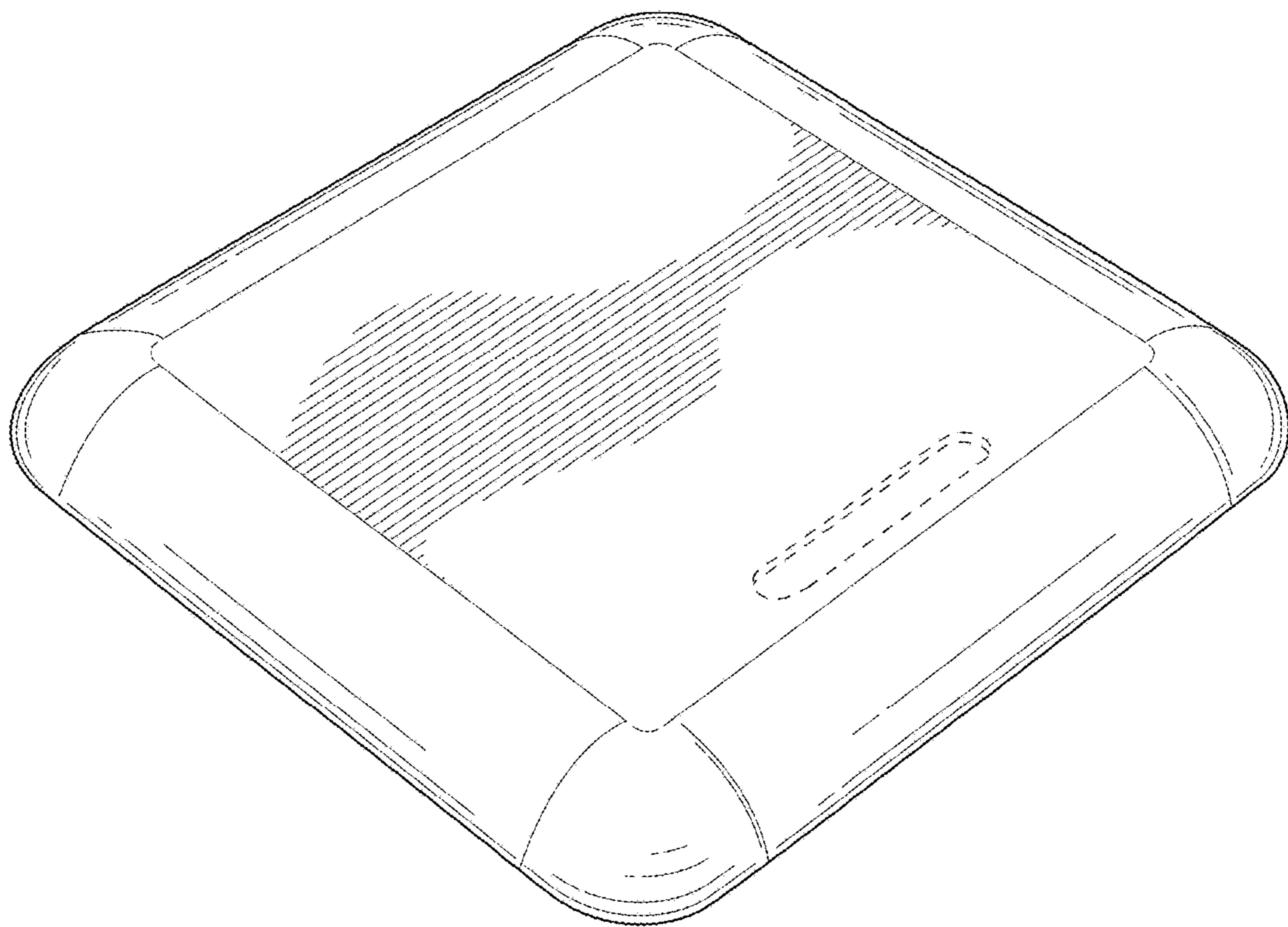


FIG. 2



FIG. 3

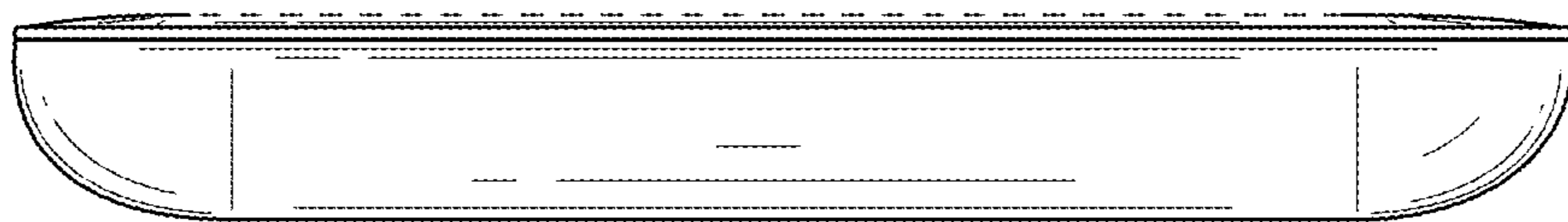


FIG. 4

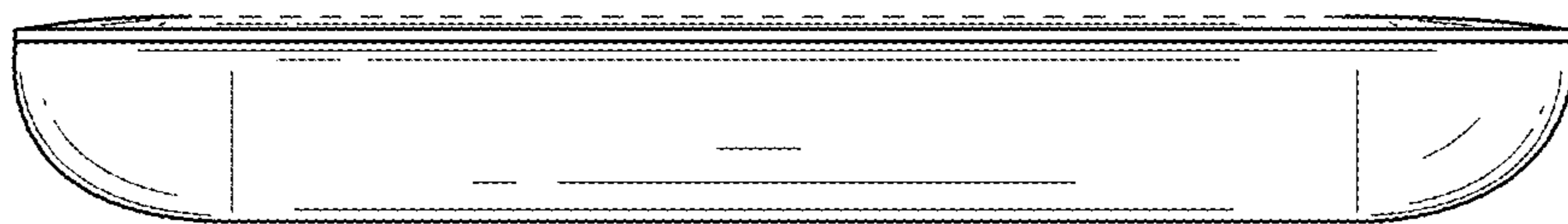


FIG. 5

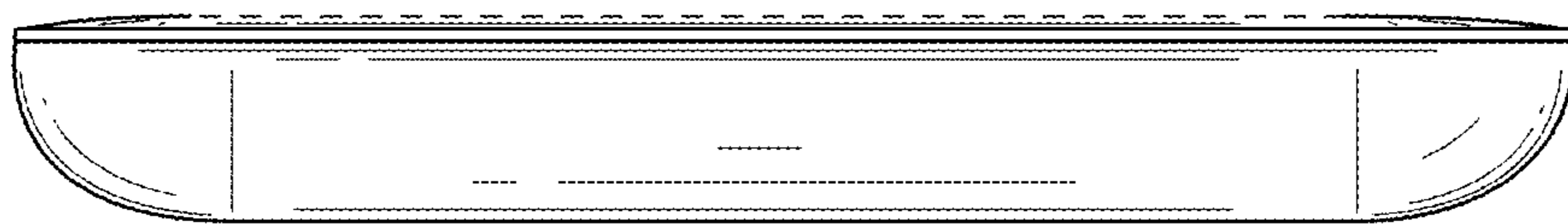


FIG. 6

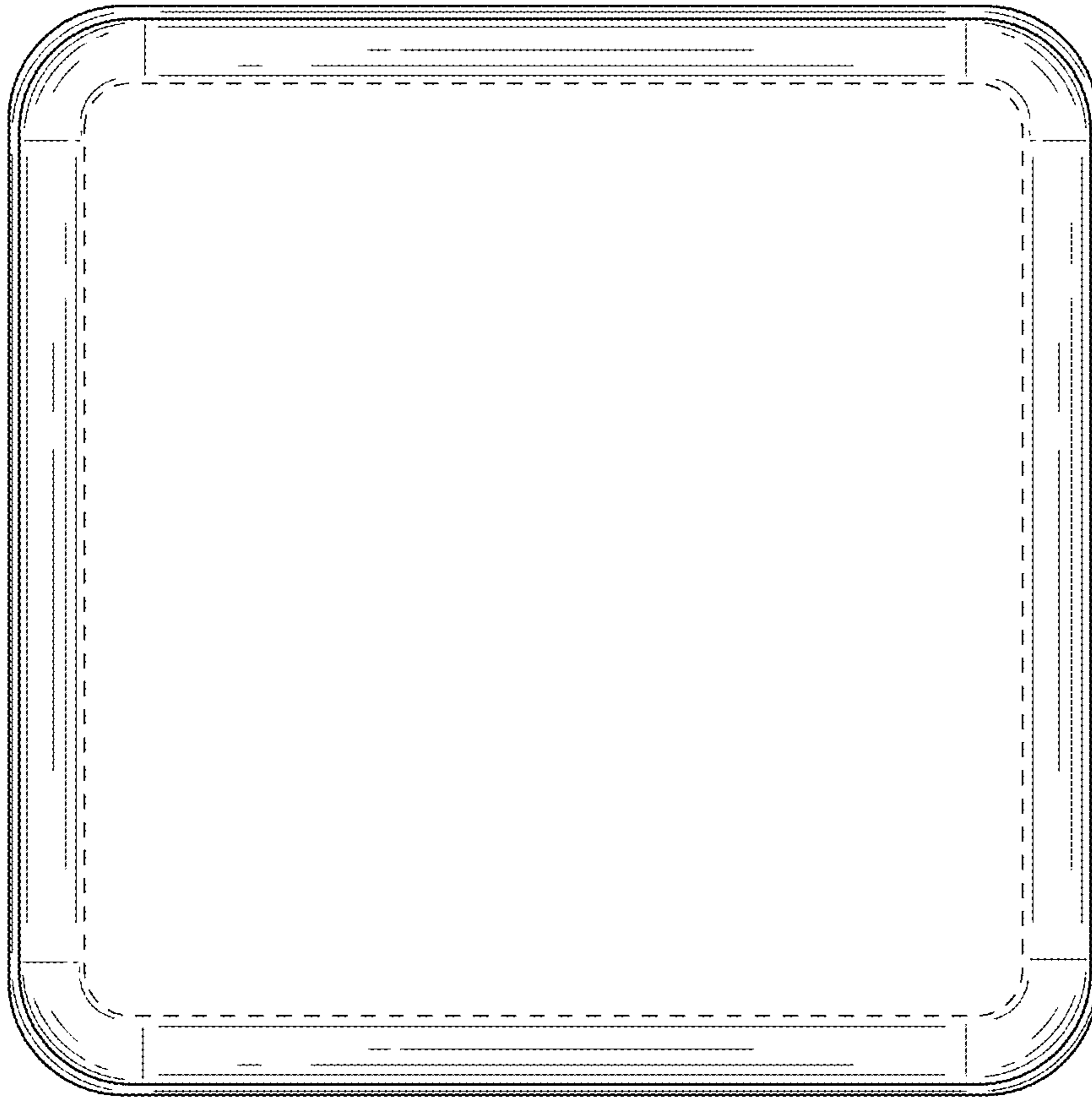


FIG. 7

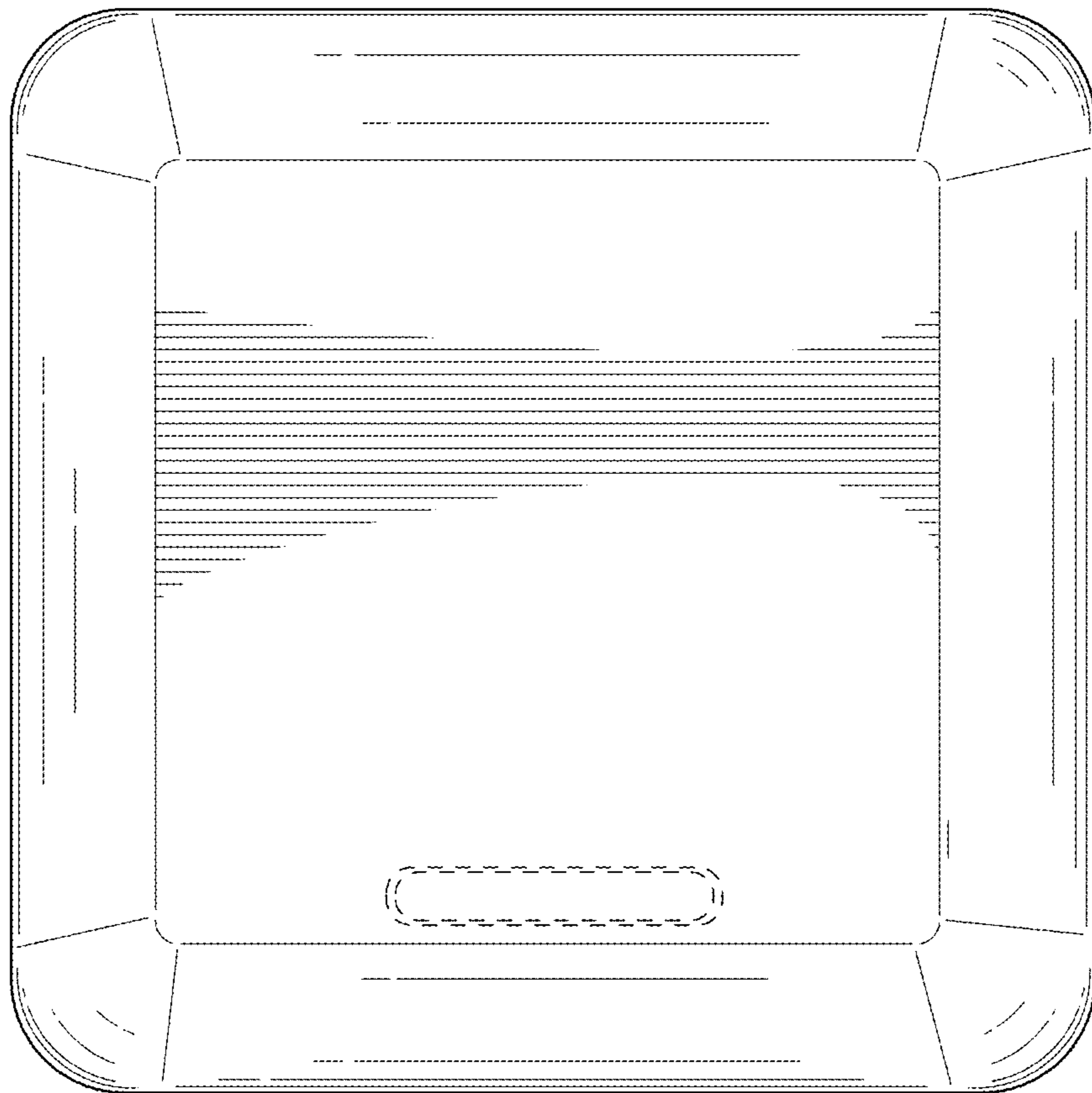


FIG. 8

UNITED STATES PATENT AND TRADEMARK OFFICE
CERTIFICATE OF CORRECTION

PATENT NO. : D797,101 S
APPLICATION NO. : 29/536740
DATED : September 12, 2017
INVENTOR(S) : Wieser et al.

Page 1 of 1

It is certified that error appears in the above-identified patent and that said Letters Patent is hereby corrected as shown below:

On the Title Page

The first paragraph of the "DESCRIPTION" section in Item (57) should read:

Cross reference is made to copending U.S. design patent application Ser. No. 29/536,724 entitled "Apparatus for Recording, Transmission or Processing of Information" by Wieser et al., filed on even date herewith; U.S. design patent application Ser. No. 29/536,734 entitled "Apparatus for Recording, Transmission or Processing of Information" by Wieser et al., filed on even date herewith; and U.S. design patent application Ser. No. 29/536,737 entitled "Apparatus for Recording, Transmission or Processing of Information" by Wieser et al., filed on even date herewith.

Signed and Sealed this
Twelfth Day of December, 2017



Joseph Matal

*Performing the Functions and Duties of the
Under Secretary of Commerce for Intellectual Property and
Director of the United States Patent and Trademark Office*