



US00D797098S

(12) **United States Design Patent**
Bang et al.

(10) **Patent No.:** **US D797,098 S**
(45) **Date of Patent:** **** Sep. 12, 2017**

- (54) **ELECTRONIC DEVICE**
- (71) Applicant: **Samsung Electronics Co., Ltd.**,
Suwon-si (KR)
- (72) Inventors: **Yongseok Bang**, Yongin-si (KR); **Miri Lee**,
Namyangju-si (KR); **In Sik Chung**, Seoul (KR); **Jaehyung Hong**,
Seoul (KR)
- (73) Assignee: **SAMSUNG ELECTRONICS CO., LTD.**,
Suwon-si (KR)
- (**) Term: **15 Years**
- (21) Appl. No.: **29/542,449**
- (22) Filed: **Oct. 14, 2015**
- (30) **Foreign Application Priority Data**

Aug. 13, 2015 (KR) 30-2015-0041027

- (51) **LOC (10) Cl.** **14-02**
- (52) **U.S. Cl.**
USPC **D14/344**

- (58) **Field of Classification Search**
USPC D14/344, 138 R, 144, 358; D24/167,
D24/169, 186-187; D11/3, 93-94;
D10/30-39, 70, 98; 379/433.1;
361/679.03
CPC G06F 1/163; G06F 1/1628; G06F 1/1626;
G06F 1/1635; G06F 1/08; G06F 1/10;
G06F 1/04; G06F 1/14; G06F 1/3203;
A41D 1/002; H04M 1/02; H04M 1/03;
H04M 1/04; H04M 1/05; H04M 1/667;
H04M 1/6058; Y02B 60/12; H04B 1/385;
H04B 1/3888; H04B 1/3833; G06Q
20/10; G06Q 20/108; G06Q 20/12; G06Q
20/145

See application file for complete search history.

(56) **References Cited**

U.S. PATENT DOCUMENTS

- D246,577 S * 12/1977 Inaba D10/30
- D323,124 S * 1/1992 Osawa D10/30

- D403,246 S 12/1998 Hanagata
- D478,012 S * 8/2003 Tavenas D10/39
- D501,641 S * 2/2005 Sugiura D10/39
- D502,413 S * 3/2005 Sugiura D10/39
- D502,879 S * 3/2005 Bernheim D10/32

(Continued)

OTHER PUBLICATIONS

King-Wear KW18 Smart Watch Phone CPU MTK2502C Metal Plating OGS Capacitive Screen with Anodic Oxidation Treatment Wrist Watch, posted Jun. 14, 2016, [retrieved Jun. 24, 2017]. Retrieved from Internet, <URL: <https://www.amazon.com/KING-WEAR-MTK2502C-Capacitive-Oxidation-Treatment/dp/B01FOECMMU>>.*

(Continued)

Primary Examiner — Karen Kearney
Assistant Examiner — Kristin E Reed
(74) *Attorney, Agent, or Firm* — McAndrews Held & Malloy, Ltd.

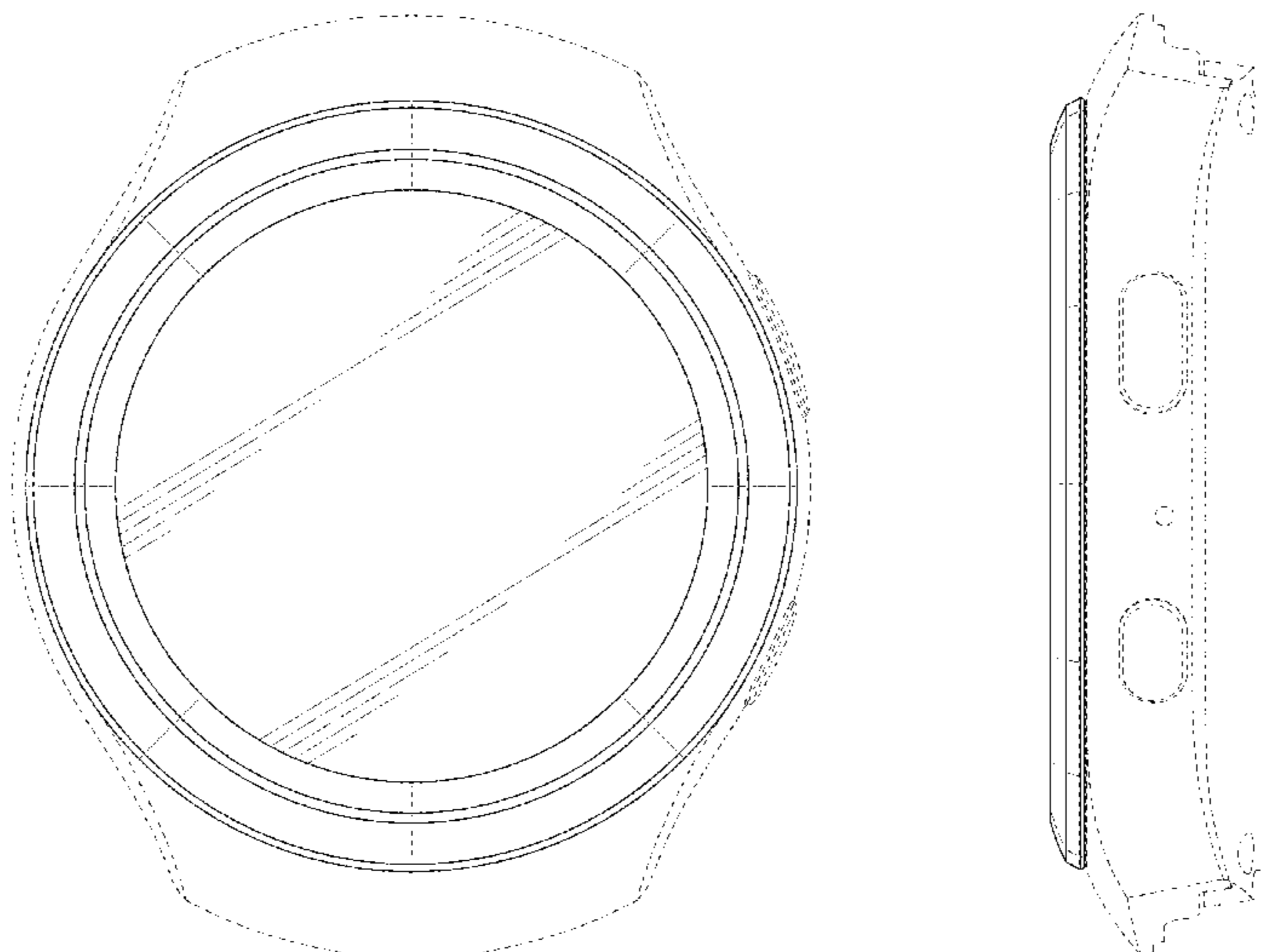
(57) **CLAIM**

The ornamental design for an electronic device, as shown and described.

DESCRIPTION

FIG. 1 is a front perspective view of an electronic device showing our new design;
FIG. 2 is a front elevation view thereof;
FIG. 3 is a rear elevation view thereof;
FIG. 4 is a left side elevation view thereof;
FIG. 5 is a right side elevation view thereof;
FIG. 6 is a top plan view thereof; and,
FIG. 7 is a bottom plan view thereof.
The dashed broken lines in the figures depict portions of the electronic device that form no part of the claimed design.

1 Claim, 7 Drawing Sheets



(56)

References Cited

U.S. PATENT DOCUMENTS

D502,880 S * 3/2005 Bernheim D10/32
 D536,266 S * 2/2007 Tomimatsu D10/38
 D536,997 S * 2/2007 Asakawa D10/38
 D538,181 S * 3/2007 Sugiura D10/31
 D569,741 S * 5/2008 Satou D10/39
 D583,682 S * 12/2008 Blank D10/32
 D594,351 S * 6/2009 Tonohori D10/32
 D594,765 S * 6/2009 Rieseler D10/39
 D611,841 S * 3/2010 Hatem D10/32
 D658,510 S * 5/2012 Wai Kei D10/32
 D661,206 S * 6/2012 Register D10/38
 D666,925 S * 9/2012 Ahlstrom D10/32
 D673,463 S * 1/2013 Dupont D10/32
 D681,482 S * 5/2013 Ramos, Jr. D10/38
 D695,637 S * 12/2013 Jacquerye D10/39
 D725,073 S * 3/2015 Ji D10/38
 D739,268 S * 9/2015 Lammers-Meis D10/30

D756,240 S * 5/2016 Register D10/30
 D756,805 S * 5/2016 Delhotal D10/30
 D762,492 S * 8/2016 Sugiura D10/126
 D767,566 S * 9/2016 Morgenroth D14/344
 D772,868 S * 11/2016 Park D10/39
 D779,342 S * 2/2017 Lintz D10/30

OTHER PUBLICATIONS

Google's smartwatches get one critical thing wrong, posted Oct. 1, 2015, [retrieved Jun. 24, 2017]. Retrieved from Internet, <URL: <http://www.businessinsider.com/android-wear-notifications-are-bad-on-smartwatches-2015-9> >.*
 Alcatel OneTouch's new device family has a pretty tempting smartwatch, posted Sep. 4, 2014, [retrieved Jun. 24, 2017]. Retrieved from Internet, <URL: <https://www.engadget.com/2014/09/04/alcatel-hero-2-hero-8-smartwatch/> >.*

* cited by examiner

FIG. 1

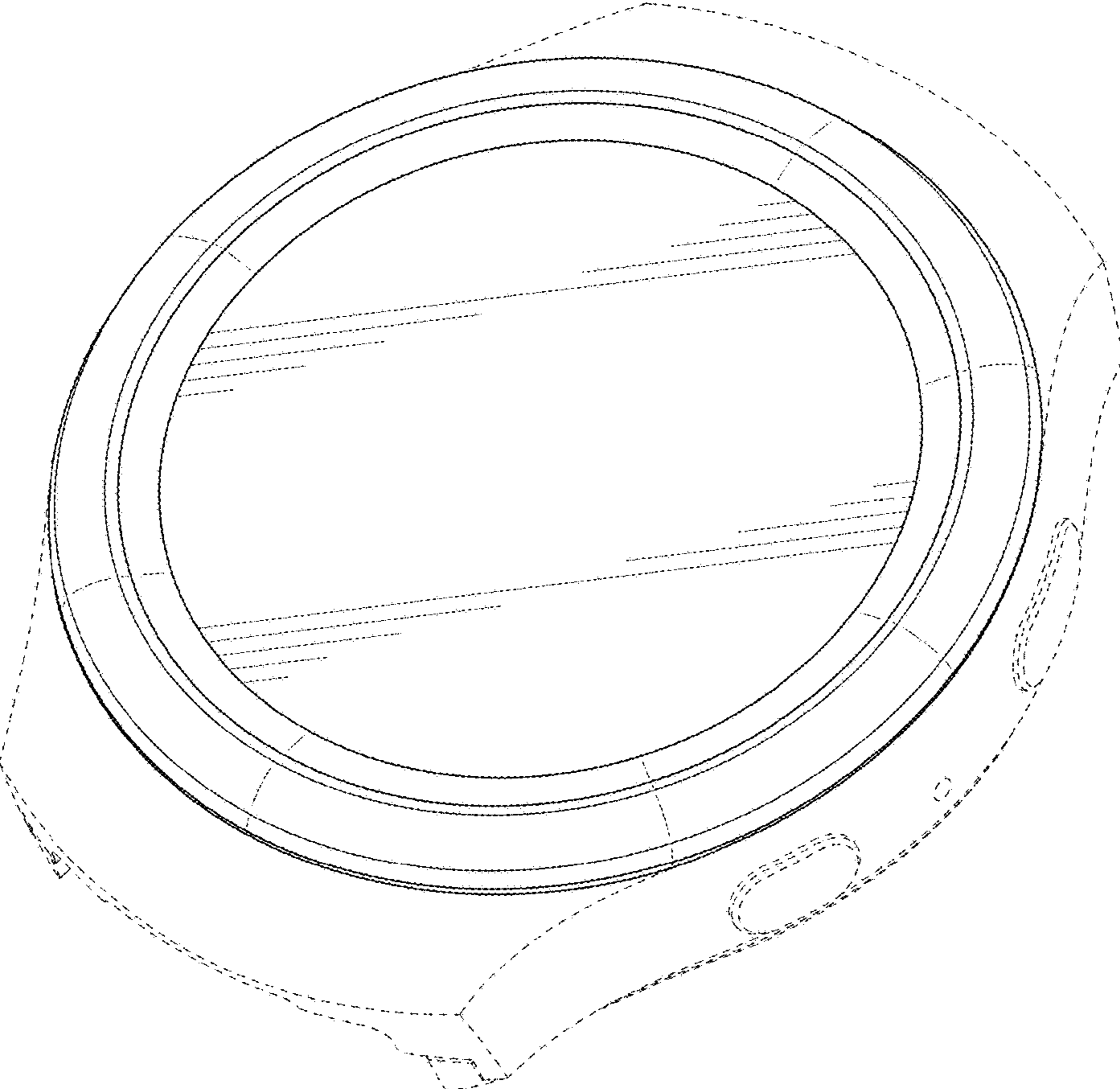


FIG. 2

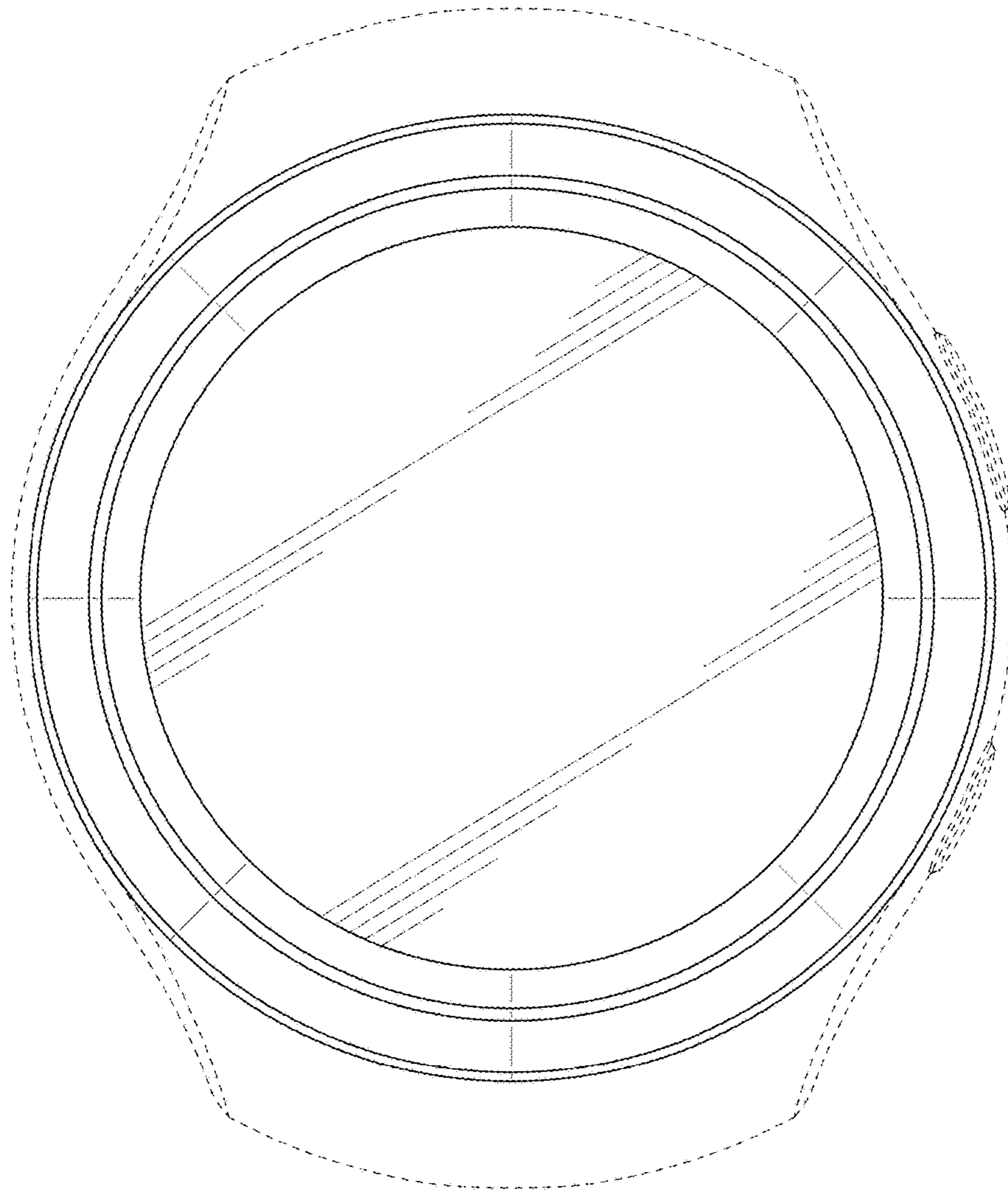


FIG. 3

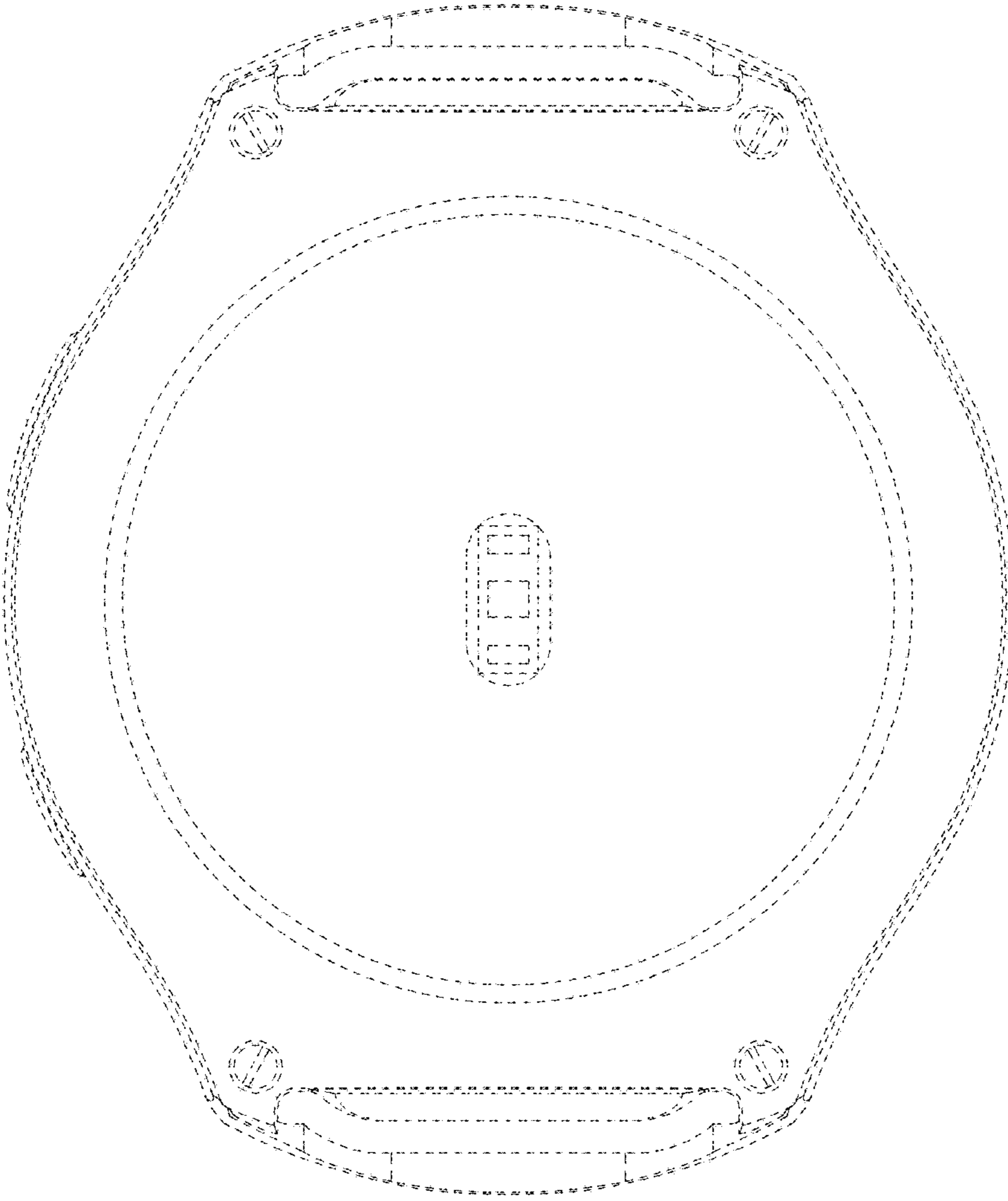


FIG. 4

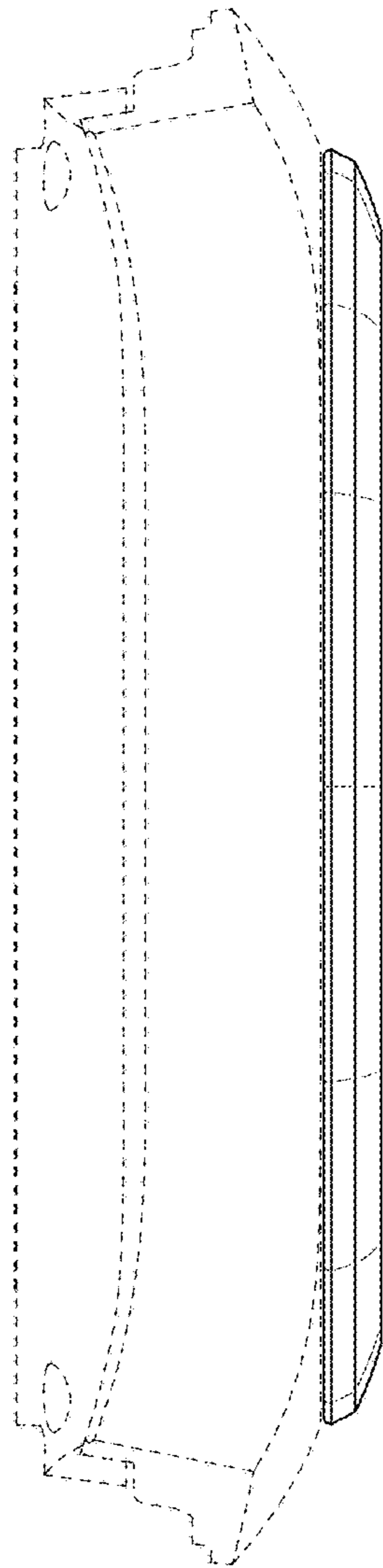


FIG. 5

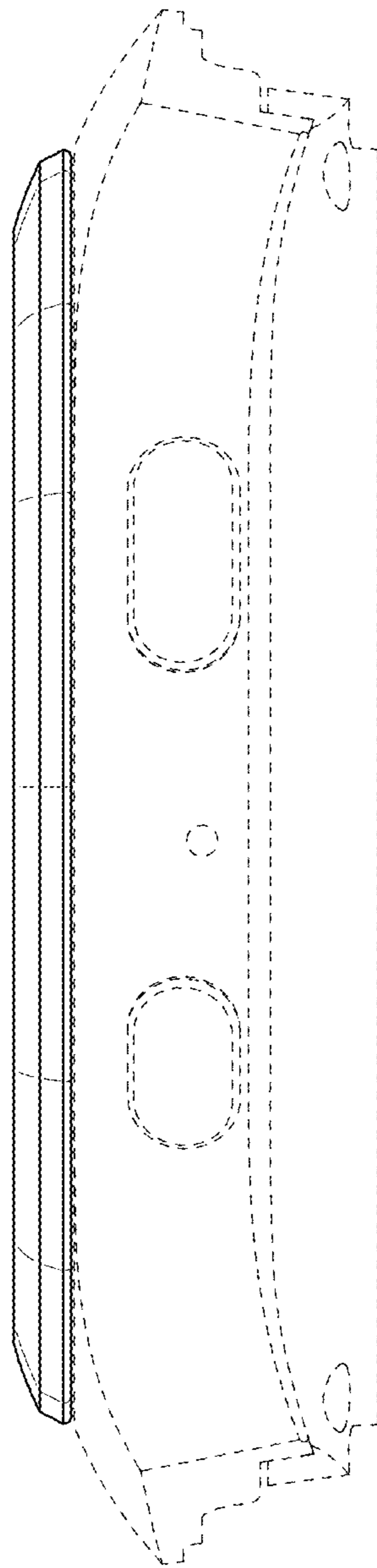


FIG. 6

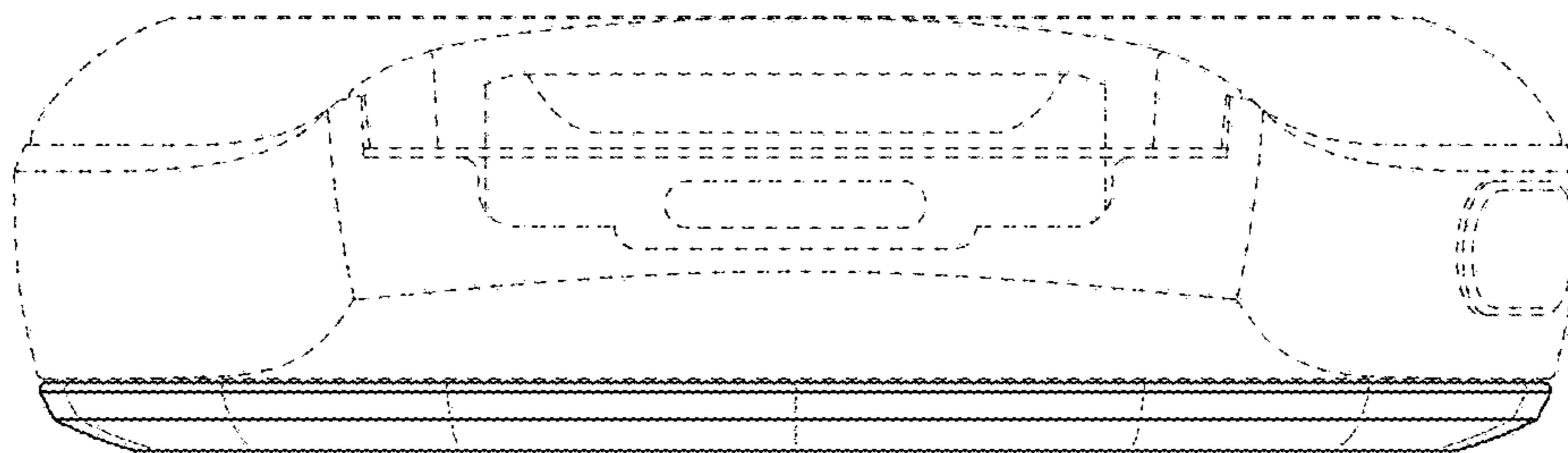


FIG. 7

