



US00D797096S

(12) **United States Design Patent** (10) **Patent No.:** **US D797,096 S**
Akana et al. (45) **Date of Patent:** **** Sep. 12, 2017**

(54) **ELECTRONIC DEVICE**

(71) Applicant: **Apple Inc.**, Cupertino, CA (US)

(72) Inventors: **Jody Akana**, San Francisco, CA (US);
Bartley K. Andre, Palo Alto, CA (US);
Jeremy Bataillou, San Francisco, CA (US);
Daniel J. Coster, San Francisco, CA (US);
Daniele De Iuliis, San Francisco, CA (US);
M. Evans Hankey, San Francisco, CA (US);
Julian Hoenig, San Francisco, CA (US);
Richard P. Howarth, San Francisco, CA (US);
Jonathan P. Ive, San Francisco, CA (US);
Duncan Robert Kerr, San Francisco, CA (US);
Matthew Dean Rohrbach, San Francisco, CA (US);
Peter Russell-Clarke, San Francisco, CA (US);
Benjamin Andrew Shaffer, San Jose, CA (US);
Mikael Silvano, San Francisco, CA (US);
Christopher J. Stringer, Woodside, CA (US);
Eugene Antony Whang, San Francisco, CA (US);
Rico Zörkendörfer, San Francisco, CA (US)

(73) Assignee: **Apple Inc.**, Cupertino, CA (US)

(**) Term: **15 Years**

(21) Appl. No.: **29/560,682**

(22) Filed: **Apr. 8, 2016**

Related U.S. Application Data

(63) Continuation of application No. 29/533,841, filed on Jul. 22, 2015, now Pat. No. Des. 772,861.

(51) **LOC (10) Cl.** **14-02**

(52) **U.S. Cl.**
USPC **D14/315**

(58) **Field of Classification Search**

USPC D14/315-327; D18/1, 2, 7, 11; 235/145 A, 145 R; 341/22, 23; 345/104,

(Continued)

(56) **References Cited**

U.S. PATENT DOCUMENTS

D293,467 S 12/1987 Elkerbout
D303,111 S 8/1989 Paley

(Continued)

OTHER PUBLICATIONS

Logitech—T650 Rechargeable Wireless USB Touchpad—Dark Gray, <<http://www.bestbuy.com/site/logitech-t650-rechargeable-wireless-usb-touchpad-dark-gray/6640676.p?skuId=6640676>>, available at least as early as Dec. 26, 2016.

(Continued)

Primary Examiner — Freda S Nunn

(74) *Attorney, Agent, or Firm* — Saidman DesignLaw Group, LLC

(57) **CLAIM**

The ornamental design for an electronic device, as shown and described.

DESCRIPTION

FIG. 1 is a top front perspective view of an electronic device showing our new design;

FIG. 2 is a top rear perspective view thereof;

FIG. 3 is a bottom rear perspective view thereof;

FIG. 4 is a bottom front perspective view thereof;

FIG. 5 is a front view thereof;

FIG. 6 is a rear view thereof;

FIG. 7 is a left side view thereof;

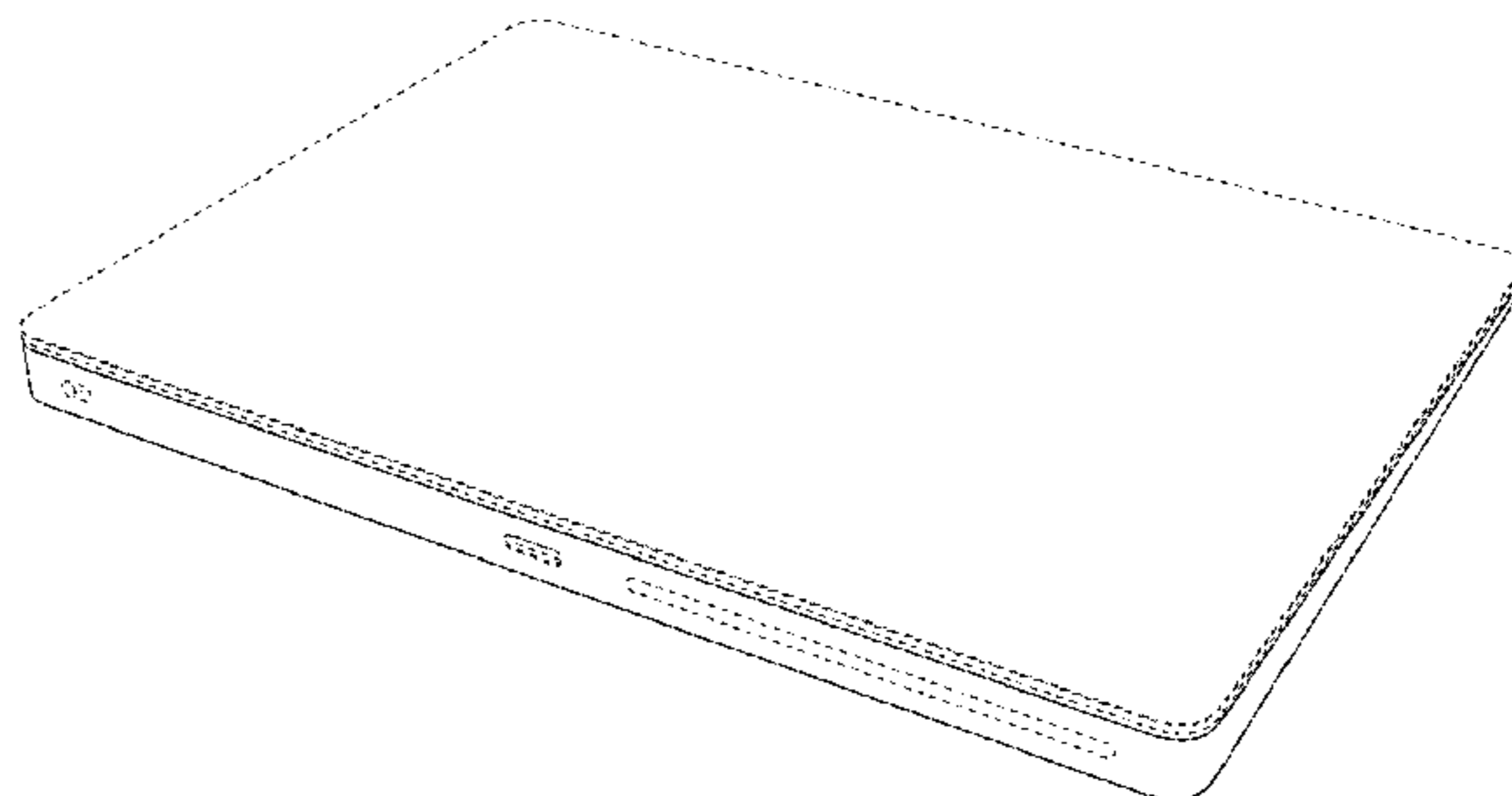
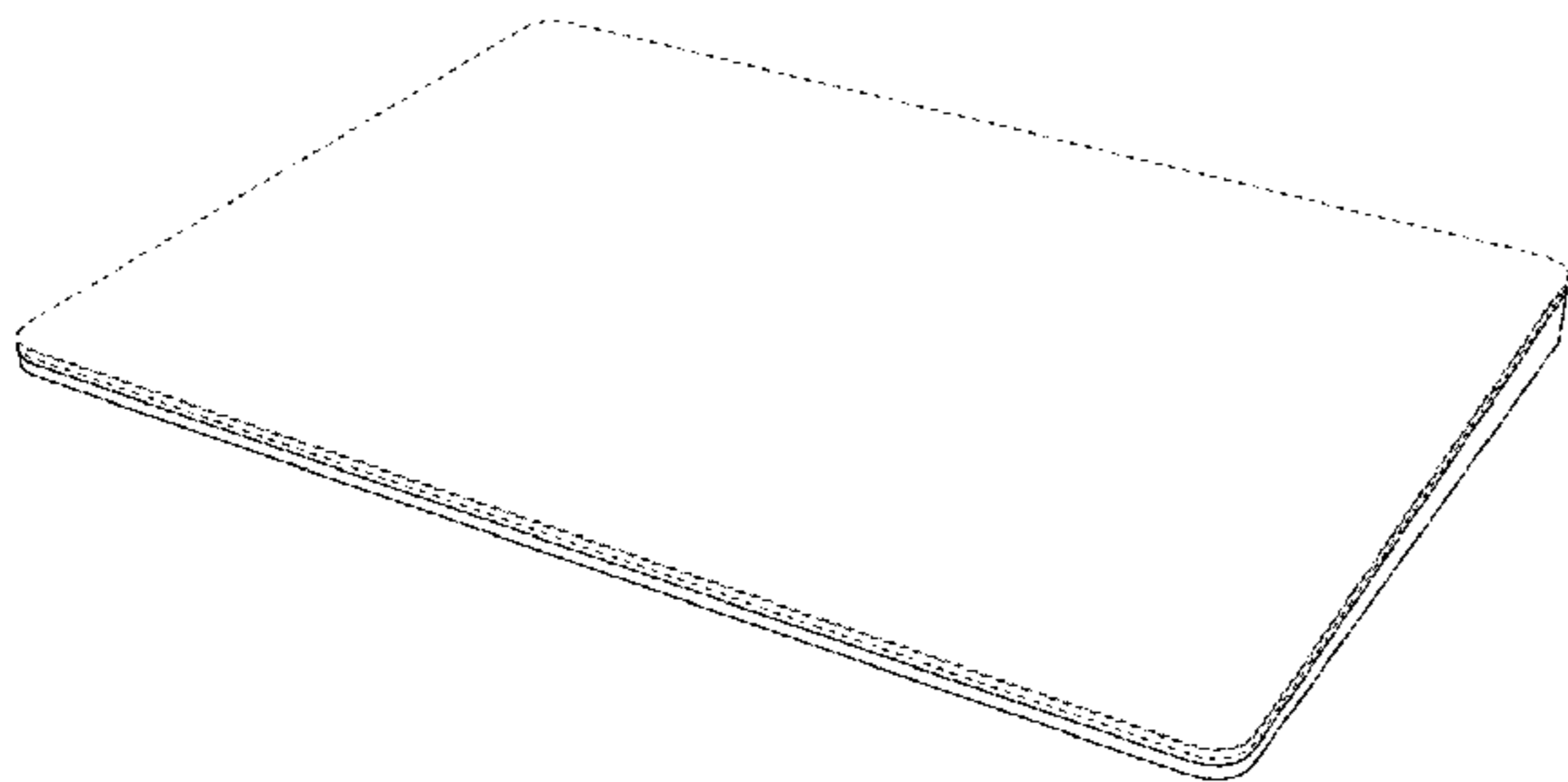
FIG. 8 is a right side view thereof;

FIG. 9 is a top view thereof; and,

FIG. 10 is a bottom view thereof.

The dashed broken lines represent structure or features that form no part of the claimed design.

1 Claim, 4 Drawing Sheets



(58) **Field of Classification Search**

USPC 345/156, 168, 169, 173; 361/679.08,
361/679.09, 679.11, 679.26, 679.27
CPC G06F 1/16; G06F 1/1616; G06F 1/1626;
G06F 1/1632; G06F 1/1613; G06F
1/1601; G06F 1/1618; G06F 1/162; G06F
1/166; G06F 1/1654; G06F 1/1681; G06F
1/1637; G06F 1/1688; G06F 1/1656;
H01R 35/02; H03M 11/00; G09B 13/04;
H03K 17/94; G09G 5/00; F16M 11/10;
H05K 5/00; H04M 1/0237

See application file for complete search history.

(56)

References Cited

U.S. PATENT DOCUMENTS

D310,209 S 8/1990 Kasprzycki
D316,549 S 4/1991 Hampf
D334,398 S 3/1993 Conard
D335,660 S 5/1993 Busch
D338,452 S 8/1993 Allgeier
D344,724 S 3/1994 Pangburn
D346,161 S 4/1994 Oh et al.
D348,875 S 7/1994 Wang
5,439,304 A 8/1995 Phillips et al.
5,717,430 A 2/1998 Copland et al.
D420,997 S 2/2000 Jordan
D430,875 S 9/2000 Beecroft
D436,951 S 1/2001 Andresen
D445,793 S 7/2001 Ji
D446,520 S 8/2001 Ji
D447,136 S 8/2001 Groves et al.
D454,566 S 3/2002 Andre et al.
D485,271 S 1/2004 Kamegi
D490,812 S 6/2004 Andre et al.
D501,472 S 2/2005 Kumano
D501,660 S 2/2005 Kumano
D514,098 S 1/2006 Huang et al.
D518,053 S 3/2006 Chen
D526,319 S 8/2006 Ohno
D529,910 S 10/2006 Ota
7,167,158 B2 1/2007 Silverbrook
D543,544 S 5/2007 Cheng
D556,758 S 12/2007 Nguyen et al.
D558,753 S 1/2008 Andre et al.
D572,246 S 7/2008 Andre et al.
D574,378 S 8/2008 Andre et al.
D579,450 S 10/2008 Ozolins et al.
D580,433 S 11/2008 Chiang et al.
D588,126 S 3/2009 Chiang et al.
7,548,220 B2 6/2009 Silverbrook
7,567,221 B2 7/2009 Silverbrook
D598,451 S 8/2009 Andre et al.
D600,688 S 9/2009 Andre et al.
D603,861 S 11/2009 Hong et al.
D604,289 S 11/2009 Andre et al.
D604,294 S 11/2009 Andre et al.
D604,300 S 11/2009 Andre et al.
D604,736 S 11/2009 Andre et al.
D606,068 S 12/2009 Hong et al.
D606,534 S 12/2009 Hong et al.
D607,450 S 1/2010 Morishita et al.
D611,469 S 3/2010 Andre et al.
D612,843 S 3/2010 Andre et al.

D612,844 S 3/2010 Andre et al.
D613,284 S 4/2010 Solomon et al.
D616,880 S 6/2010 Andre et al.
D616,881 S 6/2010 Andre et al.
D616,886 S 6/2010 Andre et al.
D621,402 S 8/2010 Andre et al.
D625,310 S 10/2010 Andre et al.
D625,717 S 10/2010 Andre et al.
D633,093 S 2/2011 Andre et al.
D633,498 S 3/2011 Andre et al.
D635,566 S 4/2011 Andre et al.
D640,695 S 6/2011 Andre et al.
D641,021 S 7/2011 Andre et al.
D642,172 S 7/2011 Akana et al.
D642,560 S 8/2011 Akana et al.
D649,549 S 11/2011 Andre et al.
D652,032 S 1/2012 Akana et al.
D655,704 S 3/2012 Akana et al.
D661,296 S 6/2012 Akana et al.
D662,497 S 6/2012 Akana et al.
D662,935 S 7/2012 Andre et al.
D664,144 S 7/2012 Akana et al.
D664,537 S 7/2012 Hu et al.
D667,404 S 9/2012 Akana et al.
D681,031 S 4/2013 Lee et al.
D685,784 S 7/2013 Ma
D687,030 S 7/2013 Andre et al.
D687,031 S 7/2013 Chen et al.
D691,129 S 10/2013 Akana et al.
D695,291 S 12/2013 Andre et al.
D696,244 S 12/2013 Akana et al.
D696,659 S 12/2013 Chen et al.
D696,660 S 12/2013 Chen et al.
D696,661 S 12/2013 Chen et al.
D706,772 S 6/2014 Koyama et al.
D708,179 S 7/2014 Andre et al.
D729,227 S 5/2015 Fukuoka
D772,861 S * 11/2016 Akana D14/315
2012/0099264 A1 4/2012 Degner et al.

OTHER PUBLICATIONS

Sony Vaio X505, available at least as early as May 8, 2005.
Sony X505 Keyboard, available at least as early as May 8, 2005.
Sony VAIO PCG-4G1L, available at least as early as May 8, 2006.
Olidata Altro, available at least as early as Jun. 1, 2009.
Olidata Altro, <http://notebookitalia.it/olidata-altro-italian-style-notebook-culv-5674.html>, published Mar. 3, 2009.
Rudi, 13-inch MacBook Air has a modern interior, Nov. 2, 2011, prohardver, 2pgs.
Logitech Touchpad T650, <<http://www.cnet.com/products/logitech-wireless-rechargeable-touchpad-t650/>>, available Dec. 17, 2012.
U.S. Appl. No. 29/361,525 to Jody Akana et al., titled "Electronic Device", filed May 12, 2010 (unpublished).
U.S. Appl. No. 29/476,137 to Jody Akana et al., titled "Electronic Device", filed Dec. 11, 2013 (unpublished).
U.S. Appl. No. 29/533,837 to Jody Akana et al., titled "Electronic Device", filed Jul. 22, 2015 (unpublished).
U.S. Appl. No. 29/560,697 to Jody Akana et al., titled "Electronic Device", filed Apr. 8, 2016 (unpublished).
U.S. Appl. No. 29/533,841 to Jody Akana et al., titled "Electronic Device", filed Jul. 22, 2015 (unpublished).
U.S. Appl. No. 29/560,693 to Jody Akana et al., titled "Electronic Device", filed Apr. 8, 2016 (unpublished).

* cited by examiner

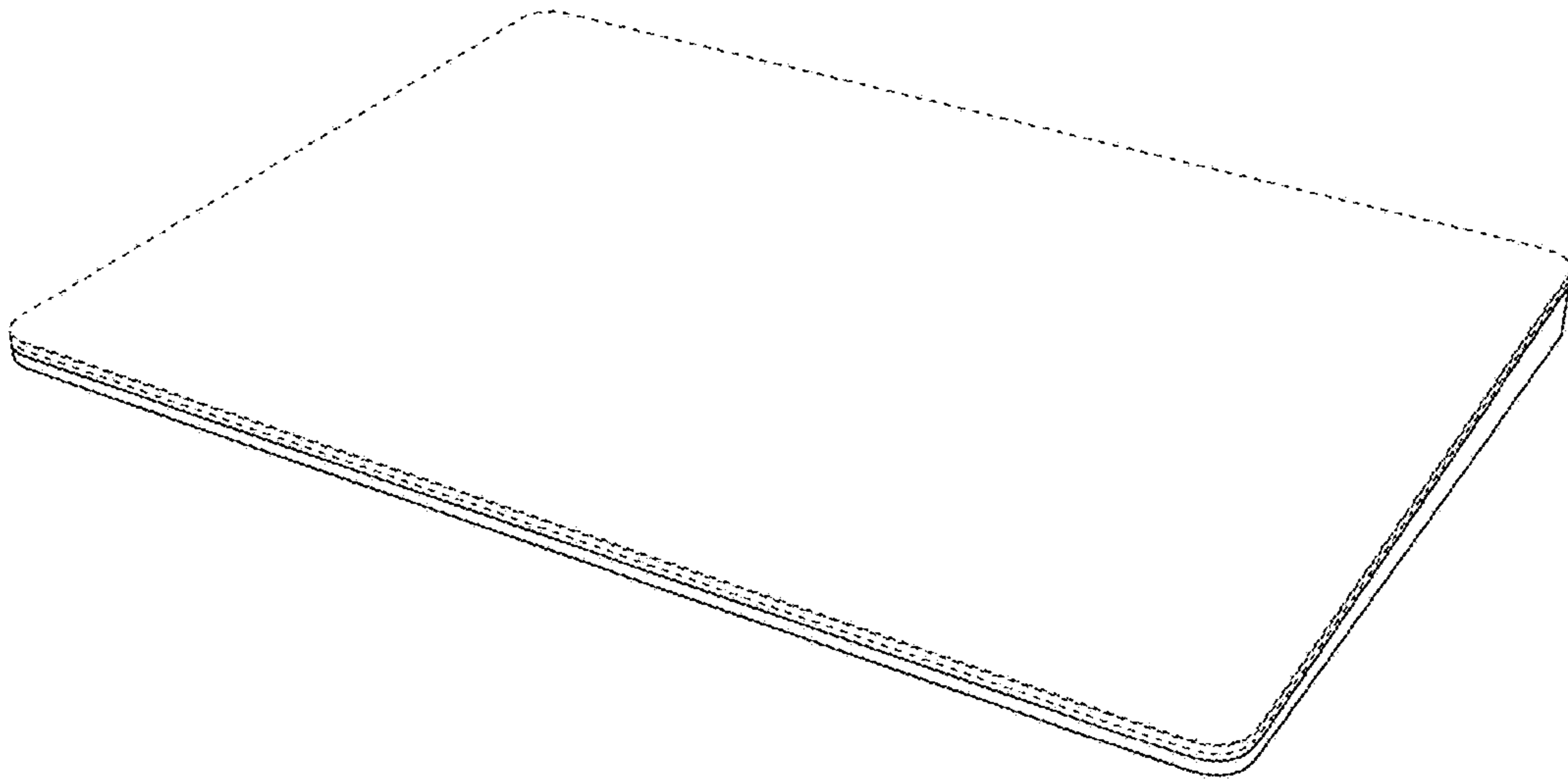


Fig. 1

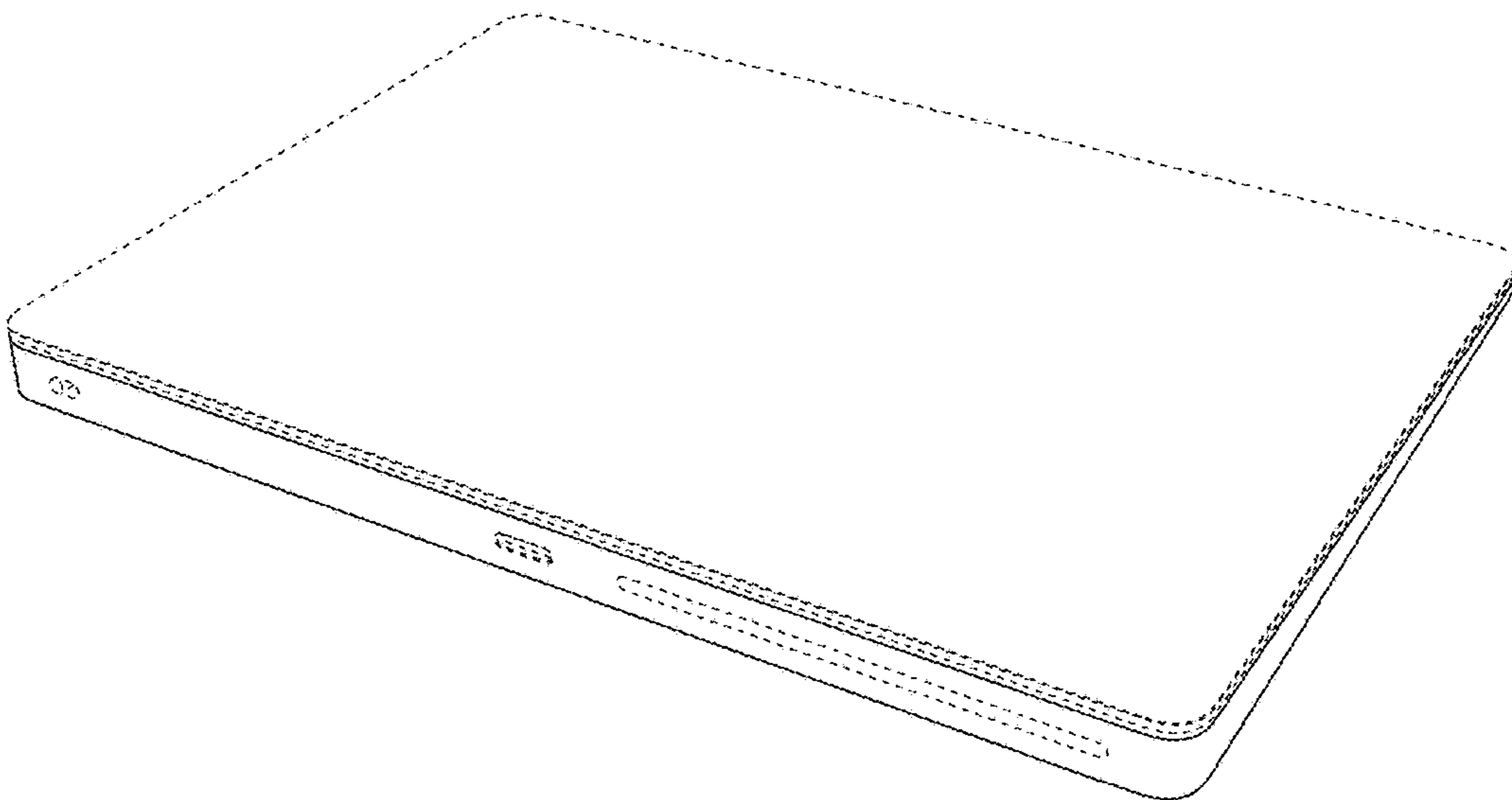


Fig. 2

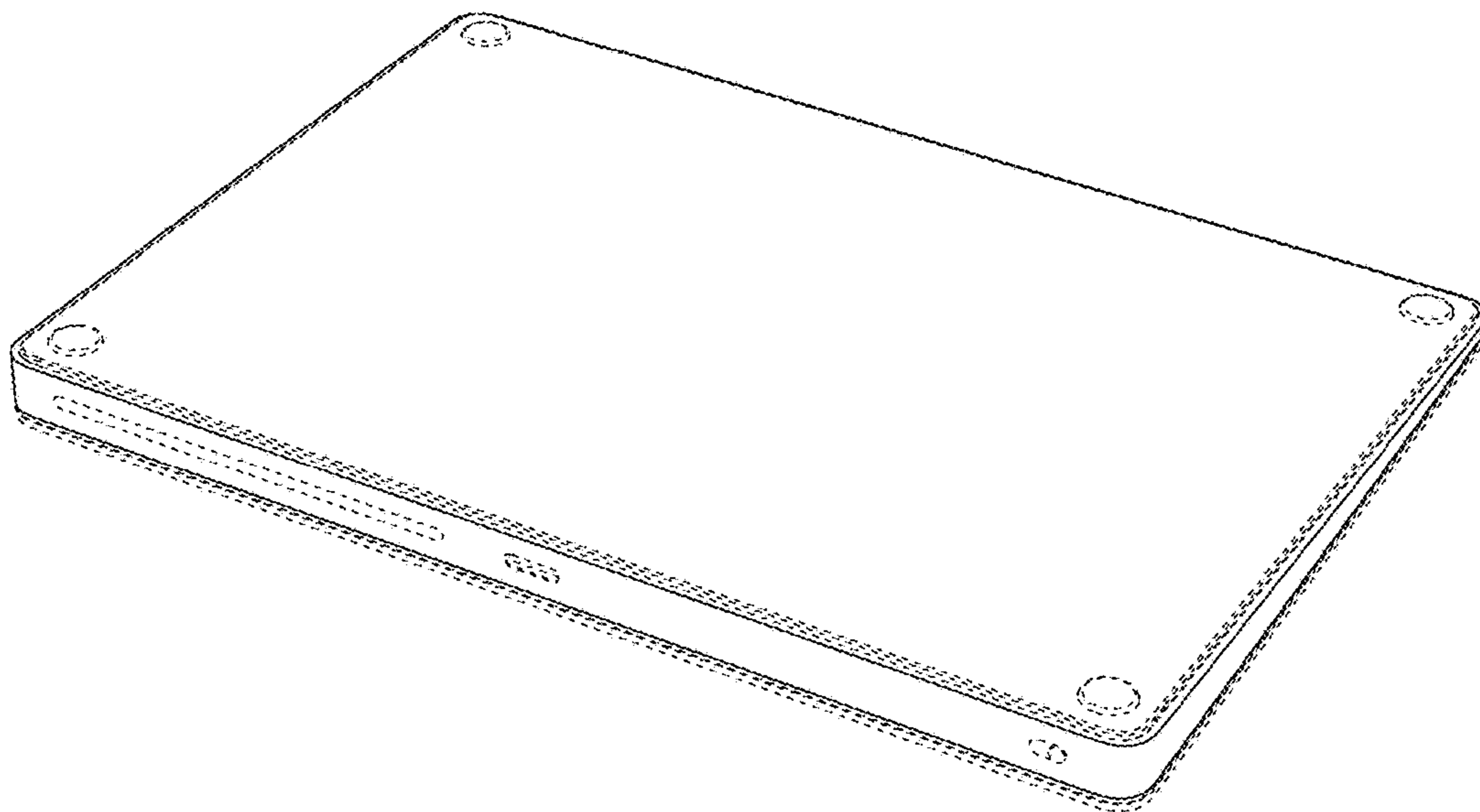


Fig. 3

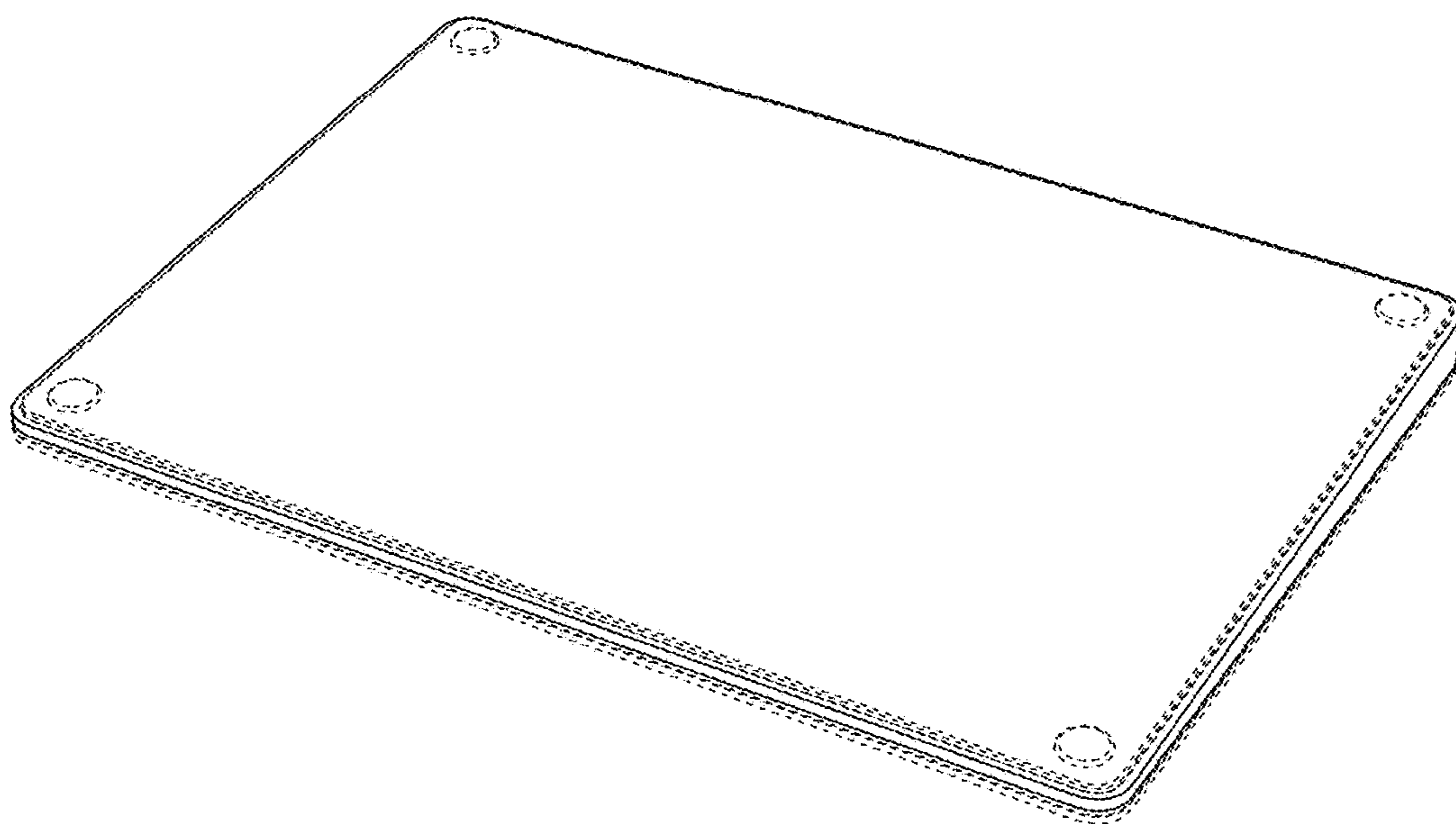


Fig. 4

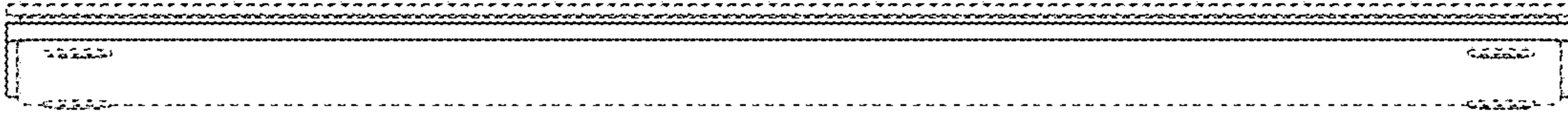


Fig. 5

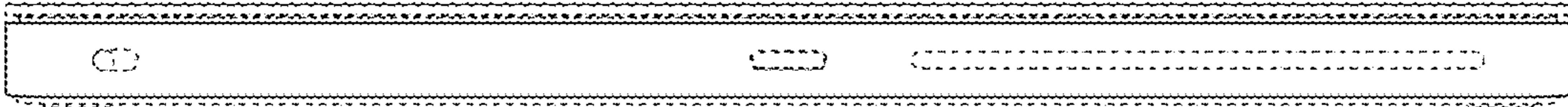


Fig. 6

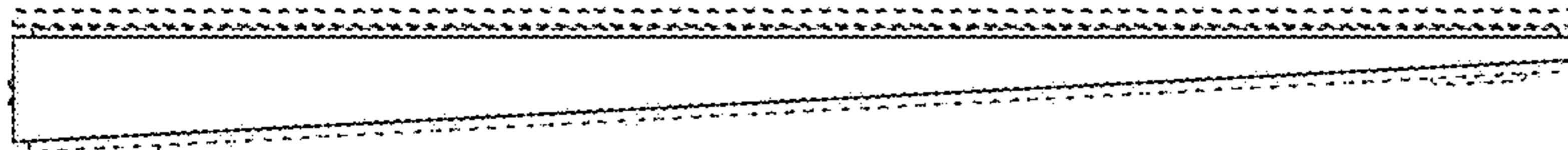


Fig. 7

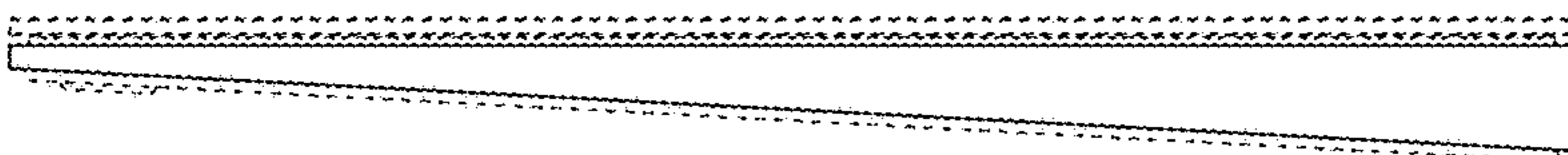


Fig. 8

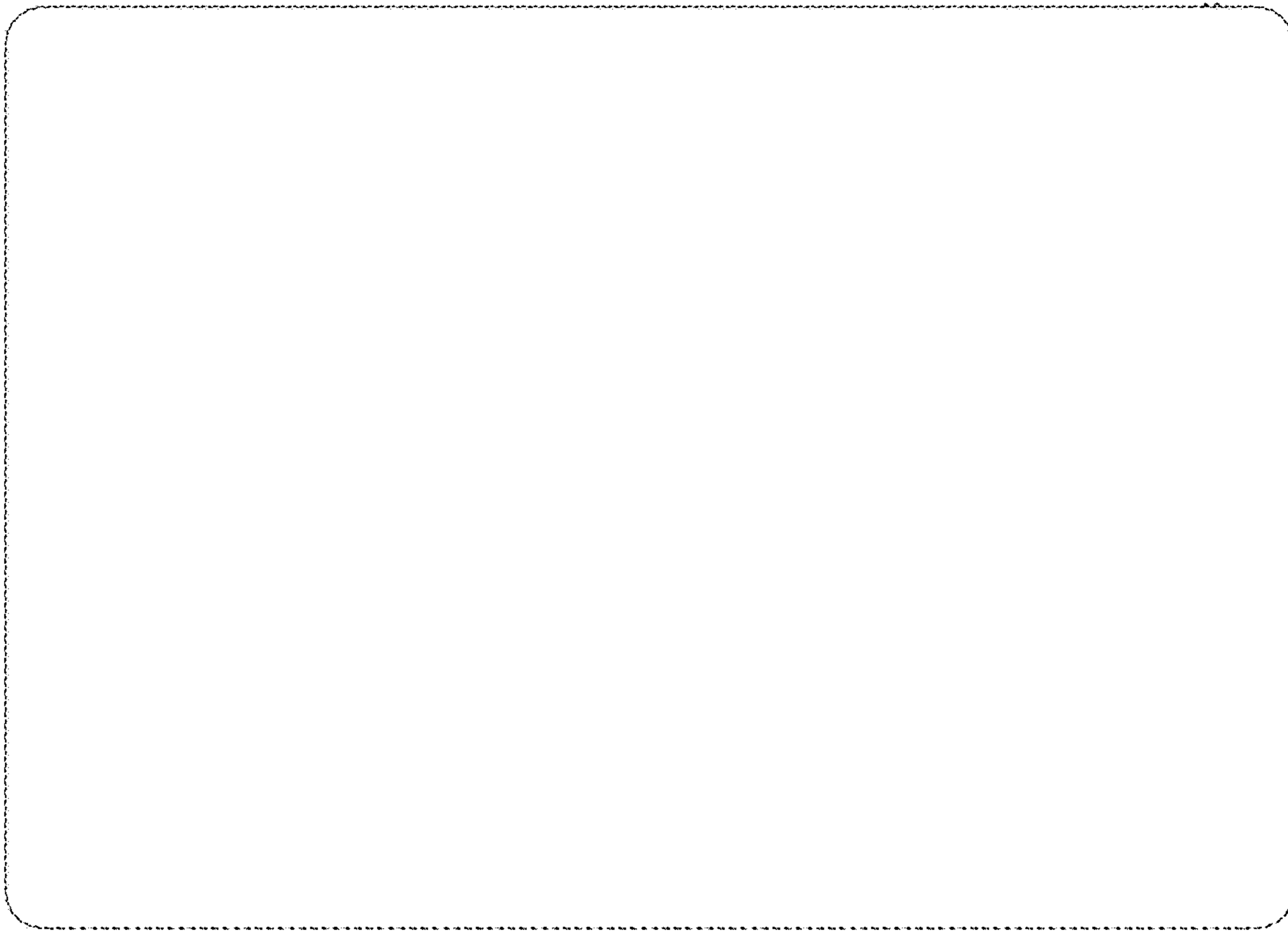


Fig. 9



Fig. 10