



US00D797091S

(12) **United States Design Patent** (10) **Patent No.:** **US D797,091 S**
To et al. (45) **Date of Patent:** **** *Sep. 12, 2017**

(54) **CASE FOR A MOBILE ELECTRONIC DEVICE**

(71) Applicant: **Mophie, Inc.**, Tustin, CA (US)

(72) Inventors: **Nguyen To**, Corona, CA (US); **Dat Dang**, Westminster, CA (US); **Ming Chiao Chiang**, Alhambra, CA (US); **Jiayong Ye**, Shenzhen (CN)

(73) Assignee: **mophie, inc.**, Tustin, CA (US)

(*) Notice: This patent is subject to a terminal disclaimer.

(**) Term: **14 Years**

(21) Appl. No.: **29/510,153**

(22) Filed: **Nov. 25, 2014**

(51) **LOC (10) Cl.** **14-01**

(52) **U.S. Cl.**
USPC **D14/250**

(58) **Field of Classification Search**
USPC D14/250–253, 440, 203.3–203.7, 217, D14/496, 248, 238.1, 240, 447, 230, 247,
(Continued)

(56) **References Cited**

U.S. PATENT DOCUMENTS

3,851,126 A 11/1974 Keller
4,028,515 A 6/1977 Desio et al.
(Continued)

FOREIGN PATENT DOCUMENTS

CN 201252577 Y 6/2009
CN 202364273 U 8/2012
(Continued)

OTHER PUBLICATIONS

Reexamination Control No. 90/013,319, including its prosecution history, Sep. 18, 2014, Huang et al.

(Continued)

Primary Examiner — Sandra Snapp

Assistant Examiner — Holly E Thurman

(74) *Attorney, Agent, or Firm* — Knobbe, Martens, Olson & Bear, LLP

(57) **CLAIM**

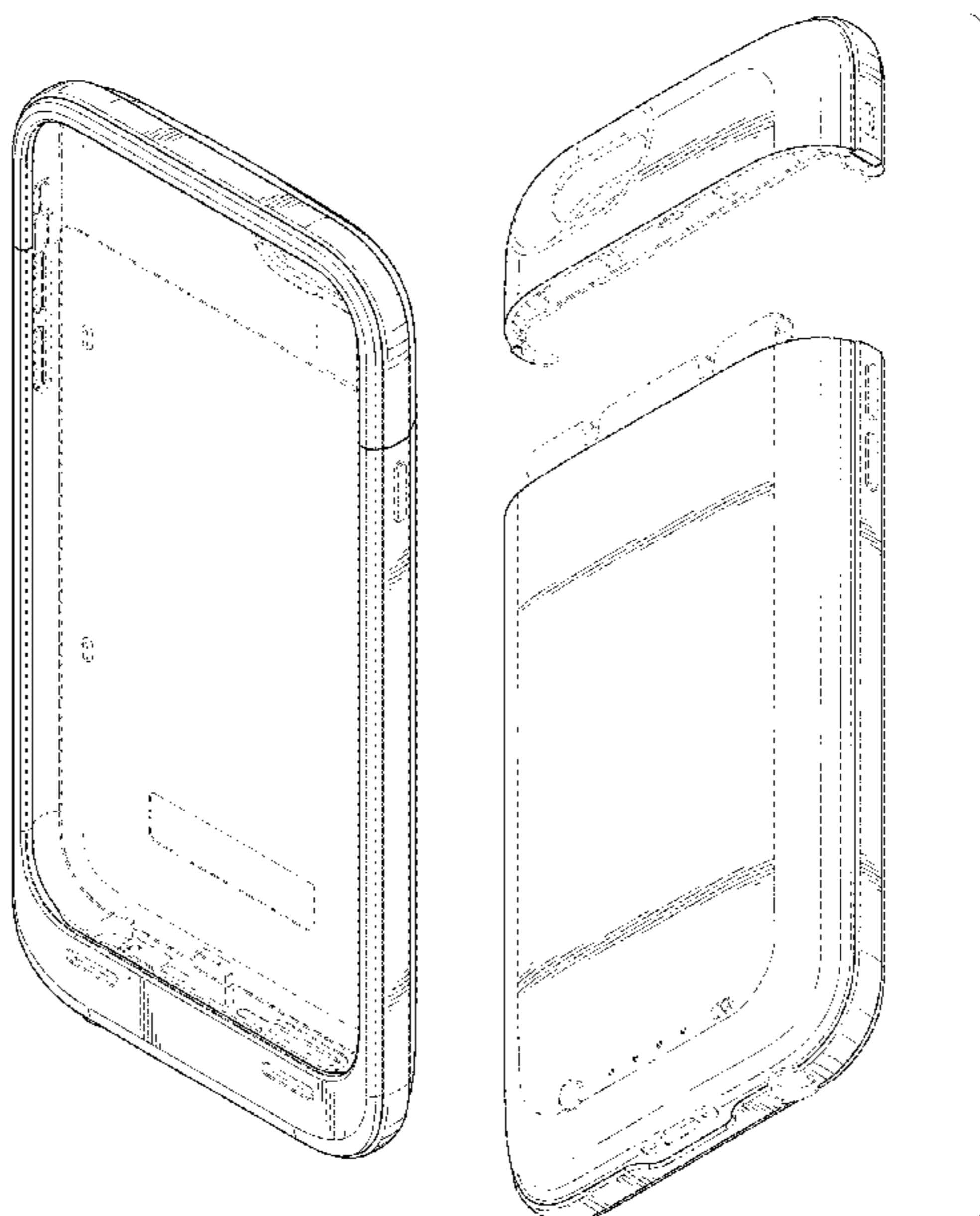
The ornamental design for a case for a mobile electronic device, as shown and described.

DESCRIPTION

FIG. 1 is a top-front perspective view of a design for a case for a mobile electronic device in a closed configuration; FIG. 2 is a bottom-rear perspective view thereof; FIG. 3 is a front view thereof; FIG. 4 is a rear view thereof; FIG. 5 is a left-side view thereof; FIG. 6 is a right-side view thereof; FIG. 7 is a top view thereof; FIG. 8 is a bottom view thereof; FIG. 9 is a top-front perspective view of the design for a case for a mobile electronic device in an open configuration; FIG. 10 is a bottom-rear perspective view thereof; FIG. 11 is a front view thereof; FIG. 12 is a rear view thereof; FIG. 13 is a left-side view thereof; FIG. 14 is a right-side view thereof; FIG. 15 is a top view thereof; and, FIG. 16 is a bottom view thereof.

The broken line portions in the drawings are shown to illustrate environment only and form no part of the claimed design.

1 Claim, 12 Drawing Sheets



(58) **Field of Classification Search**
 USPC D14/341, 345, 346, 439; D3/201, 218,
 D3/269, 301, 273, 303; D13/103,
 D13/107-108; 220/4.02; 248/309.1;
 361/679.56; 379/426, 433.11, 455;
 455/575.1, 575.8; 190/100; 206/305,
 206/320
 CPC . A45C 2011/002; A45C 11/00; A45C 13/002;
 A45C 2011/003; H04M 1/0283; H04M
 1/0202; H04M 1/185; H04B 1/3888
 See application file for complete search history.

(56) **References Cited**

U.S. PATENT DOCUMENTS

D267,795 S 2/1983 Mallon
 4,479,596 A 10/1984 Swanson
 4,515,272 A 5/1985 Newhouse
 D284,372 S 6/1986 Carpenter
 4,951,817 A 8/1990 Barletta et al.
 D312,534 S 12/1990 Nelson et al.
 5,001,772 A 3/1991 Holcomb et al.
 D322,719 S 12/1991 Jayez
 D327,868 S 7/1992 Oka
 5,360,108 A 11/1994 Alagia
 5,368,159 A 11/1994 Doria
 5,383,091 A 1/1995 Snell
 5,386,084 A 1/1995 Risko
 5,508,123 A 4/1996 Fan
 D372,896 S 8/1996 Nagele et al.
 5,586,002 A 12/1996 Notarianni
 5,604,050 A 2/1997 Brunette et al.
 5,610,979 A 3/1997 Yu
 D384,327 S 9/1997 Nakui
 5,708,707 A 1/1998 Halttunen et al.
 5,711,013 A 1/1998 Collett et al.
 D392,248 S 3/1998 Johansson
 D392,939 S 3/1998 Finke-Anlauff
 5,786,106 A 7/1998 Armani
 5,816,459 A 10/1998 Armistead
 D400,495 S 11/1998 Deslyper et al.
 D400,496 S 11/1998 Barber et al.
 5,859,481 A 1/1999 Banyas
 5,864,766 A 1/1999 Chiang
 D405,801 S 2/1999 Nagele et al.
 D407,063 S 3/1999 Reis et al.
 5,876,351 A 3/1999 Rohde
 D407,708 S 4/1999 Nagele et al.
 5,896,277 A 4/1999 Leon et al.
 5,932,855 A 8/1999 Wang et al.
 5,959,433 A 9/1999 Rohde
 5,973,477 A 10/1999 Chang
 D417,189 S 11/1999 Amero, Jr. et al.
 6,043,626 A 3/2000 Snyder et al.
 D424,512 S 5/2000 Ho
 6,069,332 A 5/2000 Suchanek et al.
 6,081,595 A 6/2000 Picaud
 D428,019 S 7/2000 Amron
 6,082,535 A 7/2000 Mitchell
 6,171,138 B1 1/2001 Lefebvre et al.
 D438,004 S 2/2001 Watson et al.
 6,184,654 B1 2/2001 Bachner, III et al.
 D439,218 S 3/2001 Yu
 6,201,867 B1 3/2001 Koike
 6,208,115 B1 3/2001 Binder
 6,266,539 B1 7/2001 Pardo
 D446,497 S 8/2001 Yu
 6,273,252 B1 8/2001 Mitchell
 D447,462 S 9/2001 Kosiba
 6,313,982 B1 11/2001 Hino
 6,317,313 B1 11/2001 Mosgrove et al.
 6,324,380 B1 11/2001 Kiuchi et al.
 6,346,791 B1 2/2002 Barguirdjian
 6,377,811 B1 4/2002 Sood et al.
 6,405,056 B1 6/2002 Altschul et al.
 D460,411 S 7/2002 Wang

D460,761 S 7/2002 Croley
 6,415,138 B2 7/2002 Sirola et al.
 6,434,371 B1 8/2002 Claxton
 6,434,404 B1 8/2002 Claxton et al.
 6,445,577 B1 9/2002 Madsen et al.
 6,471,056 B1 10/2002 Tzeng
 D469,427 S 1/2003 Ma et al.
 6,536,589 B2 3/2003 Chang
 6,538,413 B1 3/2003 Beard et al.
 D472,384 S 4/2003 Richardson
 6,552,513 B1 4/2003 Li
 6,555,990 B1 4/2003 Yang
 6,583,601 B2 6/2003 Simoes et al.
 6,594,472 B1 7/2003 Curtis et al.
 6,614,722 B2 9/2003 Polany et al.
 6,626,362 B1 9/2003 Steiner et al.
 D481,716 S 11/2003 He et al.
 D482,529 S 11/2003 Hardigg et al.
 6,646,864 B2 11/2003 Richardson
 D484,874 S 1/2004 Chang et al.
 D485,834 S 1/2004 Davetas
 6,681,003 B2 1/2004 Linder et al.
 6,701,159 B1 3/2004 Powell
 6,708,887 B1 3/2004 Garrett et al.
 6,714,802 B1 3/2004 Barvesten
 6,785,566 B1 8/2004 Irizarry
 6,819,549 B1 11/2004 Lammers-Meis et al.
 D500,041 S 12/2004 Tsujimoto
 D506,612 S 6/2005 Rosa et al.
 D508,495 S 8/2005 Bone et al.
 D513,123 S 12/2005 Richardson et al.
 6,980,777 B2 12/2005 Shepherd et al.
 D513,451 S 1/2006 Richardson et al.
 6,992,461 B2 1/2006 Liang et al.
 D514,808 S 2/2006 Morine et al.
 D516,309 S 3/2006 Richardson et al.
 D516,553 S 3/2006 Richardson et al.
 D516,554 S 3/2006 Richardson et al.
 D516,807 S 3/2006 Richardson et al.
 D517,007 S 3/2006 Yong-Jian et al.
 D520,744 S 5/2006 Pangrec et al.
 7,050,841 B1 5/2006 Onda
 7,069,063 B2 6/2006 Halkosaari et al.
 D525,582 S 7/2006 Chan
 7,072,699 B2 7/2006 Eiden
 7,079,879 B1 7/2006 Sylvester et al.
 7,081,736 B2 7/2006 Seil et al.
 D526,780 S 8/2006 Richardson et al.
 D526,958 S 8/2006 Shimizu
 D530,079 S 10/2006 Thomas et al.
 D535,252 S 1/2007 Sandnes
 7,158,376 B2 1/2007 Richardson et al.
 7,166,987 B2 1/2007 Lee et al.
 D537,063 S 2/2007 Kim et al.
 7,180,735 B2 2/2007 Thomas et al.
 7,180,754 B2 2/2007 Qin et al.
 7,194,291 B2 3/2007 Peng
 D540,539 S 4/2007 Gutierrez
 7,203,467 B2 4/2007 Siddiqui
 D542,286 S 5/2007 Taniyama et al.
 D542,524 S 5/2007 Richardson et al.
 D543,541 S 5/2007 Chung et al.
 D544,486 S 6/2007 Hussaini et al.
 7,230,823 B2 6/2007 Richardson et al.
 D547,056 S 7/2007 Griffin et al.
 D547,057 S 7/2007 Griffin et al.
 D550,455 S 9/2007 Barnhart
 D551,252 S 9/2007 Andre et al.
 7,266,391 B2 9/2007 Warren
 D551,856 S 10/2007 Ko et al.
 D553,857 S 10/2007 Pendergraph et al.
 D556,679 S 12/2007 Weinstein et al.
 D556,681 S 12/2007 Kim
 D557,205 S 12/2007 Kim
 D557,264 S 12/2007 Richardson et al.
 D557,494 S 12/2007 Mayette et al.
 D557,897 S 12/2007 Richardson et al.
 7,312,984 B2 12/2007 Richardson et al.
 D558,667 S 1/2008 Park et al.

(56)

References Cited

U.S. PATENT DOCUMENTS

D558,757 S	1/2008	Andre et al.	D618,231 S	6/2010	Fahrendorff et al.
D558,972 S	1/2008	Oh	7,733,637 B1	6/2010	Lam
D558,973 S	1/2008	Hussaini et al.	D619,573 S	7/2010	Khan et al.
D559,267 S	1/2008	Griffin	D619,574 S	7/2010	Richardson et al.
D560,229 S	1/2008	Yagi	D619,991 S	7/2010	Huang
D561,092 S	2/2008	Kim	D620,000 S	7/2010	Bau
7,336,973 B2	2/2008	Goldthwaite et al.	D620,487 S	7/2010	Richardson et al.
D563,093 S	3/2008	Nussberger	D621,394 S	8/2010	Richardson et al.
7,343,184 B2	3/2008	Rostami	D621,395 S	8/2010	Richardson et al.
D565,291 S	4/2008	Brandenburg et al.	D621,821 S	8/2010	Richardson et al.
7,397,658 B2	7/2008	Finke-Anlauff et al.	D621,822 S	8/2010	Richardson et al.
7,400,917 B2	7/2008	Wood et al.	7,778,023 B1	8/2010	Mohoney
D574,326 S	8/2008	Lim	7,782,610 B2	8/2010	Diebel et al.
D574,819 S	8/2008	Andre et al.	D623,179 S	9/2010	Richardson et al.
D575,056 S	8/2008	Tan	D623,180 S	9/2010	Diebel
7,428,427 B2	9/2008	Brunstrom et al.	D623,638 S	9/2010	Richardson et al.
D577,904 S	10/2008	Sasaki	D623,639 S	9/2010	Richardson et al.
D581,151 S	11/2008	Aipa	D623,640 S	9/2010	Freeman
D581,155 S	11/2008	Richardson et al.	D624,317 S	9/2010	Wenchel et al.
D581,421 S	11/2008	Richardson et al.	D624,533 S	9/2010	Richardson et al.
D582,149 S	12/2008	Tan	D624,908 S	10/2010	Huskinson
7,464,814 B2	12/2008	Carnevali	D624,909 S	10/2010	Huskinson
D584,732 S	1/2009	Cho et al.	D624,910 S	10/2010	Richardson et al.
7,479,759 B2	1/2009	Vilanov et al.	D625,303 S	10/2010	Kim
D587,008 S	2/2009	Richardson et al.	D626,120 S	10/2010	Richardson et al.
D587,896 S	3/2009	Aipa	D626,121 S	10/2010	Richardson et al.
D589,016 S	3/2009	Richardson et al.	D626,538 S	11/2010	Brown et al.
D589,953 S	4/2009	Turner	D626,539 S	11/2010	Brown et al.
7,536,099 B2	5/2009	Dalby et al.	D626,540 S	11/2010	Brown et al.
D593,319 S	6/2009	Richardson et al.	D626,964 S	11/2010	Richardson et al.
D593,746 S	6/2009	Richardson et al.	D628,568 S	12/2010	Richardson et al.
D594,849 S	6/2009	Ko	D628,994 S	12/2010	Griffin, Jr. et al.
7,555,325 B2	6/2009	Goros	7,859,222 B2	12/2010	Woud
D597,089 S	7/2009	Khan et al.	D631,246 S	1/2011	Boettner
7,562,813 B2	7/2009	Humphrey et al.	7,863,856 B2	1/2011	Sherman et al.
D597,301 S	8/2009	Richardson et al.	7,863,862 B2	1/2011	Idzik et al.
D598,407 S	8/2009	Richardson et al.	D631,877 S	2/2011	Rak et al.
7,577,462 B2	8/2009	Kumar	D632,648 S	2/2011	Yang
D600,640 S	9/2009	Stein et al.	D632,683 S	2/2011	Richardson et al.
D600,908 S	9/2009	Richardson et al.	D632,684 S	2/2011	Richardson et al.
D601,955 S	10/2009	Ekmekdje	D632,685 S	2/2011	Richardson et al.
D601,959 S	10/2009	Lee et al.	D632,686 S	2/2011	Magness et al.
D601,960 S	10/2009	Dai	7,889,489 B2	2/2011	Richardson et al.
7,609,512 B2	10/2009	Richardson et al.	7,889,498 B2	2/2011	Diebel et al.
D603,602 S	11/2009	Richardson et al.	D634,704 S	3/2011	Tieleman et al.
D603,603 S	11/2009	Laine et al.	D634,741 S	3/2011	Richardson et al.
7,612,997 B1	11/2009	Diebel et al.	7,899,397 B2	3/2011	Kumar
D605,850 S	12/2009	Richardson et al.	7,907,394 B2	3/2011	Richardson et al.
D606,528 S	12/2009	Khan et al.	7,911,530 B2	3/2011	Sawachi
D606,529 S	12/2009	Ferrari et al.	D636,386 S	4/2011	Richardson et al.
7,635,086 B2	12/2009	Spencer, II	D636,387 S	4/2011	Willes et al.
7,638,969 B2	12/2009	Woud	7,930,011 B2	4/2011	Shi et al.
7,647,082 B2	1/2010	Holmberg	7,933,122 B2	4/2011	Richardson et al.
D609,228 S	2/2010	Ferrari et al.	D637,588 S	5/2011	Richardson et al.
D609,463 S	2/2010	Bullen	D637,589 S	5/2011	Willes et al.
D610,538 S	2/2010	Wu et al.	D637,590 S	5/2011	Michie et al.
7,656,120 B2	2/2010	Neu et al.	D637,591 S	5/2011	Willes et al.
7,663,878 B2	2/2010	Swan et al.	D637,592 S	5/2011	Magness et al.
7,667,433 B1	2/2010	Smith	D637,952 S	5/2011	Tan
D610,807 S	3/2010	Bau	D638,005 S	5/2011	Richardson et al.
D611,042 S	3/2010	Ferrari et al.	D638,411 S	5/2011	Willes et al.
D611,478 S	3/2010	Richardson et al.	D638,413 S	5/2011	Magness et al.
7,669,829 B2	3/2010	Ogatsu	D638,414 S	5/2011	Magness et al.
D613,282 S	4/2010	Richardson et al.	D638,828 S	5/2011	Melanson et al.
D615,077 S	5/2010	Richardson et al.	D638,829 S	5/2011	Melanson et al.
D615,535 S	5/2010	Richardson et al.	D638,830 S	5/2011	Magness et al.
D615,536 S	5/2010	Richardson et al.	D639,731 S	6/2011	Sun
D615,967 S	5/2010	Richardson et al.	D640,679 S	6/2011	Willes et al.
D616,360 S	5/2010	Huang	D640,680 S	6/2011	Magness et al.
D616,361 S	5/2010	Huang	7,957,524 B2	6/2011	Chipping
D617,753 S	6/2010	Cheng	D641,013 S	7/2011	Richardson et al.
D617,784 S	6/2010	Richardson et al.	D641,014 S	7/2011	Smith et al.
D617,785 S	6/2010	Richardson et al.	D641,974 S	7/2011	Stampfli
D617,786 S	6/2010	Richardson et al.	D642,170 S	7/2011	Johnson et al.
D617,787 S	6/2010	Richardson et al.	D642,171 S	7/2011	Melanson et al.
			D642,558 S	8/2011	Magness
			D643,029 S	8/2011	Feng
			D643,424 S	8/2011	Richardson et al.
			D644,215 S	8/2011	Dong

(56)

References Cited

U.S. PATENT DOCUMENTS

D644,216 S	8/2011	Richardson et al.	8,483,758 B2	7/2013	Huang	
D644,219 S	8/2011	Sawada	D687,426 S	8/2013	Requa	
7,988,010 B2	8/2011	Yang et al.	D688,233 S	8/2013	Dong	
8,004,962 B2	8/2011	Yang et al.	8,499,933 B2	8/2013	Ziemba	
D644,635 S	9/2011	Richardson et al.	8,505,718 B2	8/2013	Griffin, Jr. et al.	
D644,639 S	9/2011	Weller et al.	8,509,864 B1	8/2013	Diebel	
D647,084 S	10/2011	Fathollahi	8,509,865 B1	8/2013	LaColla et al.	
D647,108 S	10/2011	Lee	8,531,833 B2	9/2013	Diebel et al.	
8,028,794 B1	10/2011	Freeman	D691,990 S	10/2013	Rayner	
8,046,039 B2	10/2011	Lee et al.	8,560,014 B1	10/2013	Hu et al.	
D648,714 S	11/2011	Jones, III et al.	D693,801 S	11/2013	Rayner	
D648,715 S	11/2011	Jones, III et al.	8,579,172 B2	11/2013	Monaco et al.	
D648,716 S	11/2011	Jones, III et al.	D696,234 S	12/2013	Wright	
D648,717 S	11/2011	Fahrendorff et al.	D697,502 S	1/2014	Chu et al.	
D649,143 S	11/2011	Jones, III et al.	D698,774 S	2/2014	Wardy	
D649,539 S	11/2011	Hong	D703,652 S	4/2014	Melanson et al.	
D650,810 S	12/2011	Lemelman et al.	D704,182 S	5/2014	Smith	
D652,827 S	1/2012	Fahrendorff et al.	D704,688 S	5/2014	Reivo et al.	
D652,828 S	1/2012	Fahrendorff et al.	D706,255 S	6/2014	Akana et al.	
D653,202 S	1/2012	Hasbrook et al.	D706,256 S	6/2014	Ward et al.	
D653,659 S	2/2012	Fahrendorff et al.	D706,272 S	6/2014	Poon	
D654,069 S	2/2012	Kwon	D709,058 S	7/2014	Hemesath et al.	
D654,483 S	2/2012	Richardson et al.	D709,439 S	7/2014	Ferber et al.	
D654,931 S	2/2012	Lemelman et al.	D709,485 S	7/2014	Bishop	
D655,281 S	3/2012	Turocy	D710,344 S	8/2014	Smith et al.	
D655,699 S	3/2012	Bau	D710,795 S	8/2014	Gupta et al.	
D656,495 S	3/2012	Andre et al.	D710,839 S	8/2014	Chang	
D658,165 S	4/2012	Freeman	D711,312 S	8/2014	Tien	
8,150,485 B2	4/2012	Lee	D711,362 S	8/2014	Poon	
D658,643 S	5/2012	Fahrendorff et al.	D711,863 S *	8/2014	Wen D14/250	
8,167,127 B2	5/2012	Martin et al.	D714,274 S	9/2014	Jung	
D662,923 S	7/2012	Piedra et al.	D714,278 S	9/2014	Case et al.	
D663,263 S	7/2012	Gupta et al.	8,837,156 B2	9/2014	Sun et al.	
D663,319 S	7/2012	Chen et al.	D716,784 S	11/2014	Wen	
D663,724 S	7/2012	Lee	D716,785 S	11/2014	White	
D664,091 S	7/2012	Pliner et al.	D718,230 S *	11/2014	To D13/103	
8,224,408 B2	7/2012	Tomasini et al.	D718,289 S *	11/2014	Brand D14/250	
D665,386 S	8/2012	Fathollahi	D718,291 S	11/2014	Hong	
D665,735 S	8/2012	Kang et al.	D718,293 S *	11/2014	Namminga D14/250	
8,245,842 B2	8/2012	Bau	D718,754 S *	12/2014	To D14/250	
8,247,102 B2	8/2012	Hua	D718,755 S *	12/2014	To D14/250	
D667,783 S	9/2012	Zhang et al.	8,917,506 B2	12/2014	Diebel et al.	
D670,281 S	11/2012	Corpuz et al.	D720,738 S	1/2015	Rodriguez et al.	
D670,689 S	11/2012	Wang	D720,740 S	1/2015	Wicks et al.	
D671,105 S	11/2012	Rothbaum et al.	D721,356 S	1/2015	Hasbrook et al.	
D671,106 S	11/2012	Rothbaum et al.	D721,685 S	1/2015	Hasbrook et al.	
D671,493 S	11/2012	Hasbrook et al.	D721,687 S	1/2015	To et al.	
8,321,619 B2	11/2012	Kular et al.	D722,312 S	2/2015	Tages et al.	
8,328,008 B2	12/2012	Diebel et al.	D723,018 S	2/2015	White	
D674,394 S	1/2013	Kajimoto	8,954,117 B2	2/2015	Huang	
8,342,325 B2	1/2013	Rayner	8,955,678 B2	2/2015	Murphy et al.	
D675,603 S	2/2013	Melanson et al.	D723,530 S *	3/2015	Namminga D14/250	
D676,032 S	2/2013	Stump et al.	D724,574 S	3/2015	Williams	
D676,432 S	2/2013	Hasbrook et al.	D725,091 S	3/2015	Wen	
8,367,235 B2	2/2013	Huang et al.	8,971,039 B2	3/2015	Huang et al.	
8,380,264 B2	2/2013	Hung et al.	D727,883 S *	4/2015	Brand D14/250	
D677,249 S	3/2013	Li et al.	D728,468 S	5/2015	Ferber et al.	
D678,869 S	3/2013	Diebel	D732,012 S *	6/2015	Tsai D14/250	
8,390,255 B1	3/2013	Fathollahi	D738,365 S	9/2015	Melanson et al.	
8,393,466 B2	3/2013	Rayner	D739,394 S	9/2015	Rayner et al.	
D679,271 S	4/2013	Liu	D740,797 S	10/2015	Daniel	
D679,684 S	4/2013	Baker et al.	D741,844 S	10/2015	Rayner et al.	
D679,699 S	4/2013	Piedra et al.	9,153,985 B1	10/2015	Gjøvik et al.	
D681,020 S	4/2013	Magness et al.	D744,472 S *	12/2015	Lerenthal D14/250	
D682,196 S	5/2013	Leung	D744,989 S	12/2015	Lee et al.	
D682,815 S	5/2013	Chang	D744,993 S *	12/2015	Diebel D14/250	
D683,338 S	5/2013	Wilson et al.	D744,995 S *	12/2015	Lerenthal D14/250	
8,439,191 B1	5/2013	Lu	D746,273 S	12/2015	Herbst	
8,452,242 B2	5/2013	Spencer, II	D746,275 S	12/2015	Mohammad	
D684,554 S	6/2013	Park	D746,801 S	1/2016	Pan	
8,457,701 B2	6/2013	Diebel	D748,612 S	2/2016	Chan et al.	
D685,356 S	7/2013	Diebel	D749,557 S	2/2016	Feng	
D686,152 S	7/2013	Lee et al.	D751,058 S	3/2016	Cocchia et al.	
D686,586 S	7/2013	Cho	D751,059 S	3/2016	Cocchia et al.	
D686,606 S	7/2013	Hong	D751,542 S	3/2016	Daniel	
			9,313,305 B1	4/2016	Diebel	
			9,356,267 B1	5/2016	To et al.	
			9,406,913 B2	8/2016	Huang et al.	
			D766,819 S	9/2016	Gjøvik et al.	

(56)

References Cited

U.S. PATENT DOCUMENTS

D767,485 S	9/2016	To et al.	2009/0108800 A1	4/2009	Woud	
9,495,375 B2	11/2016	Huang et al.	2009/0111543 A1	4/2009	Tai et al.	
2001/0054148 A1	12/2001	Hoornaert et al.	2009/0114556 A1	5/2009	Tai et al.	
2002/0065054 A1	5/2002	Humphreys et al.	2009/0117955 A1	5/2009	Lo	
2002/0111189 A1	8/2002	Chou	2009/0128092 A1	5/2009	Woud	
2002/0147035 A1	10/2002	Su	2009/0143104 A1	6/2009	Loh et al.	
2002/0193136 A1	12/2002	Halkosaari et al.	2009/0144456 A1	6/2009	Gelf et al.	
2002/0197965 A1	12/2002	Peng	2009/0146898 A1	6/2009	Akiho et al.	
2003/0000984 A1	1/2003	Vick, III	2009/0152089 A1	6/2009	Hanes	
2003/0096642 A1	5/2003	Bessa et al.	2009/0160399 A1	6/2009	Woud	
2003/0151890 A1	8/2003	Huang et al.	2009/0160400 A1	6/2009	Woud	
2003/0217210 A1	11/2003	Carau, Sr.	2009/0181729 A1	7/2009	Griffin, Jr. et al.	
2003/0218445 A1	11/2003	Behar	2009/0205983 A1	8/2009	Estlander	
2003/0228866 A1	12/2003	Pezeshki	2009/0247244 A1	10/2009	Mittleman et al.	
2004/0096054 A1	5/2004	Nuovo	2009/0284216 A1	11/2009	Bessa et al.	
2004/0097256 A1	5/2004	Kujawski	2009/0301289 A1	12/2009	Gynes	
2004/0104268 A1	6/2004	Bailey	2009/0312058 A9	12/2009	Wood et al.	
2004/0247113 A1	12/2004	Akatsu	2009/0314400 A1	12/2009	Liu	
2004/0268005 A1	12/2004	Dickie	2009/0325657 A1	12/2009	Ramsdell et al.	
2005/0049016 A1	3/2005	Cho et al.	2010/0005225 A1	1/2010	Honda et al.	
2005/0088141 A1	4/2005	Lee et al.	2010/0013431 A1	1/2010	Liu	
2005/0090301 A1	4/2005	Lange et al.	2010/0022277 A1	1/2010	An et al.	
2005/0093510 A1	5/2005	Seil et al.	2010/0026589 A1	2/2010	Dou et al.	
2005/0116684 A1	6/2005	Kim	2010/0048267 A1	2/2010	Lin	
2005/0130721 A1	6/2005	Gartrell	2010/0056054 A1	3/2010	Yamato et al.	
2005/0231159 A1	10/2005	Jones et al.	2010/0064883 A1	3/2010	Gynes	
2005/0247787 A1	11/2005	Von Mueller et al.	2010/0078343 A1	4/2010	Hoellwarth et al.	
2005/0248312 A1	11/2005	Cao et al.	2010/0088439 A1	4/2010	Ang et al.	
2005/0286212 A1	12/2005	Brignone et al.	2010/0093412 A1	4/2010	Serra et al.	
2006/0003709 A1	1/2006	Wood	2010/0096284 A1	4/2010	Bau	
2006/0010588 A1	1/2006	Schuster et al.	2010/0113106 A1	5/2010	Supran	
2006/0052064 A1	3/2006	Goradesky	2010/0132724 A1	6/2010	Seidel et al.	
2006/0058073 A1	3/2006	Kim	2010/0154062 A1	6/2010	Baram et al.	
2006/0063569 A1	3/2006	Jacobs et al.	2010/0195279 A1	8/2010	Michael	
2006/0099999 A1	5/2006	Park	2010/0200456 A1	8/2010	Parkinson	
2006/0105722 A1	5/2006	Kumar	2010/0203931 A1	8/2010	Hynecek et al.	
2006/0105824 A1	5/2006	Kim et al.	2010/0224519 A1	9/2010	Kao	
2006/0125445 A1	6/2006	Cao et al.	2010/0243516 A1	9/2010	Martin et al.	
2006/0140461 A1	6/2006	Kim	2010/0302716 A1	12/2010	Gandhi	
2006/0197674 A1	9/2006	Nakajima	2010/0328203 A1	12/2010	Hsu	
2006/0205447 A1	9/2006	Park et al.	2011/0021255 A1	1/2011	Kim et al.	
2006/0255493 A1	11/2006	Fouladpour	2011/0034221 A1	2/2011	Hung et al.	
2007/0004450 A1	1/2007	Parikh	2011/0049005 A1	3/2011	Wilson et al.	
2007/0019804 A1	1/2007	Kramer	2011/0050164 A1	3/2011	Partovi et al.	
2007/0093140 A1	4/2007	Begic et al.	2011/0055447 A1	3/2011	Costa	
2007/0123316 A1	5/2007	Little	2011/0084081 A1	4/2011	Chung et al.	
2007/0142097 A1	6/2007	Hamasaki et al.	2011/0090626 A1	4/2011	Hoellwarth et al.	
2007/0152633 A1	7/2007	Lee	2011/0117974 A1	5/2011	Spitalnik et al.	
2007/0161404 A1	7/2007	Yasujima et al.	2011/0136555 A1	6/2011	Ramies et al.	
2007/0167190 A1	7/2007	Moosavi et al.	2011/0159324 A1	6/2011	Huang et al.	
2007/0187563 A1	8/2007	Ogatsu	2011/0199041 A1	8/2011	Yang	
2007/0223182 A1	9/2007	Swan et al.	2011/0253569 A1	10/2011	Lord	
2007/0225031 A1	9/2007	Bodkin et al.	2011/0259664 A1	10/2011	Freeman	
2007/0236180 A1	10/2007	Rodgers	2011/0261511 A1	10/2011	Alderson et al.	
2007/0261978 A1	11/2007	Sanderson	2011/0297578 A1	12/2011	Stiehl et al.	
2007/0297149 A1	12/2007	Richardson et al.	2011/0309728 A1*	12/2011	Diebel H04B 1/3888 312/293.1	
2008/0007214 A1	1/2008	Cheng	2012/0013295 A1	1/2012	Yeh	
2008/0026794 A1	1/2008	Warren	2012/0071214 A1	3/2012	Ash, Jr. et al.	
2008/0026803 A1	1/2008	Demuynck	2012/0088555 A1	4/2012	Hu	
2008/0032758 A1	2/2008	Rostami	2012/0088558 A1	4/2012	Song	
2008/0053770 A1	3/2008	Tynyk	2012/0106037 A1	5/2012	Diebel et al.	
2008/0058010 A1	3/2008	Lee	2012/0115551 A1	5/2012	Cho et al.	
2008/0096620 A1	4/2008	Lee et al.	2012/0119695 A1	5/2012	Pin	
2008/0108395 A1	5/2008	Lee et al.	2012/0122520 A1	5/2012	Phillips	
2008/0119244 A1	5/2008	Malhotra	2012/0161696 A1	6/2012	Cook et al.	
2008/0123287 A1	5/2008	Rossell et al.	2012/0177967 A1	7/2012	Wang	
2008/0132289 A1	6/2008	Wood et al.	2012/0209745 A1	8/2012	Spencer, II	
2008/0139258 A1	6/2008	Park et al.	2012/0282977 A1	11/2012	Haleluk	
2008/0150367 A1	6/2008	Oh et al.	2012/0303520 A1	11/2012	Huang	
2009/0009945 A1	1/2009	Johnson et al.	2012/0305422 A1	12/2012	Vandiver	
2009/0017883 A1	1/2009	Lin	2012/0320501 A1	12/2012	Ackloo	
2009/0051319 A1	2/2009	Fang et al.	2012/0325637 A1	12/2012	Kikuchi	
2009/0069050 A1	3/2009	Jain et al.	2013/0023313 A1	1/2013	Kim	
2009/0073650 A1	3/2009	Huang et al.	2013/0045775 A1	2/2013	Heywood	
2009/0096417 A1	4/2009	Idzik et al.	2013/0082662 A1	4/2013	Carre et al.	
			2013/0084799 A1	4/2013	Marholev et al.	
			2013/0088815 A1	4/2013	Hu et al.	

(56)

References Cited

U.S. PATENT DOCUMENTS

2013/0098790	A1*	4/2013	Hong	A45C 11/00 206/320
2013/0125251	A1	5/2013	Johnson	
2013/0146491	A1	6/2013	Ghali et al.	
2013/0189923	A1	7/2013	Lewin	
2013/0210475	A1	8/2013	Nylund	
2013/0248339	A1	9/2013	Koepsell	
2013/0273983	A1	10/2013	Hsu	
2013/0307818	A1	11/2013	Pope et al.	
2013/0314030	A1	11/2013	Fathollahi	
2013/0314880	A1	11/2013	Sun et al.	
2013/0318282	A1	11/2013	Wakutsu et al.	
2014/0035511	A1	2/2014	Ferber et al.	
2014/0065948	A1	3/2014	Huang	
2014/0069825	A1	3/2014	Macrina et al.	
2014/0141838	A1	5/2014	Cai et al.	
2014/0165379	A1	6/2014	Diebel et al.	
2014/0239916	A1*	8/2014	To	H02J 7/0042 320/137
2014/0268519	A1	9/2014	Huang et al.	
2014/0375182	A1	12/2014	Li et al.	
2014/0375186	A1	12/2014	Tarnow et al.	
2015/0010806	A1	1/2015	Huang et al.	
2015/0141090	A1	5/2015	Hwan et al.	
2015/0194648	A1	7/2015	Fathollahi et al.	
2015/0214993	A1	7/2015	Huang	
2015/0281410	A1	10/2015	Takahashi	
2015/0289615	A1	10/2015	Welsch	
2015/0303722	A1	10/2015	Li	
2015/0364875	A1	12/2015	Ginsberg	
2015/0381226	A1	12/2015	Mogol	
2016/0004896	A1	1/2016	Pope et al.	
2016/0043764	A1	2/2016	Huang	
2016/0064962	A1	3/2016	Huang et al.	
2016/0064963	A1	3/2016	Huang et al.	
2016/0064979	A1	3/2016	Huang et al.	
2016/0112085	A1	4/2016	Johnson	
2016/0267313	A1	9/2016	Pope et al.	

FOREIGN PATENT DOCUMENTS

CN	202535667	U	11/2012
CN	302510329	S	7/2013
CN	302573150	S	9/2013
DE	10 2007 021 988		11/2008
EP	1732291	A1	12/2006
JP	62-014133		1/1987
JP	8-18637		1/1996
JP	2000-175720		6/2000
KR	10-2005-0027961		3/2005
KR	10-2008-0017688		2/2008
KR	20-2010-0005030		5/2010
KR	10-2010-0132724		12/2010
KR	10-2011-0005507		1/2011
KR	10-2011-0062089		6/2011
KR	30-0650361		7/2012
TW	D150044		11/2012
TW	D156538		10/2013
WO	WO 95/15619		6/1995
WO	WO 97/33497		9/1997
WO	WO 03/065227	A1	8/2003
WO	WO 2008/151362	A2	12/2008

OTHER PUBLICATIONS

U.S. Appl. No. 14/517,492 including its prosecution history, filed Oct. 17, 2014, Huang et al.
 U.S. Appl. No. 14/517,428 including its prosecution history, filed Oct. 17, 2014, Huang et al.
 U.S. Appl. No. 14/569,229 including its prosecution history, filed Dec. 12, 2014, Huang et al.
 U.S. Appl. No. 14/547,060 including its prosecution history, filed Nov. 18, 2014, Huang.

U.S. Appl. No. 14/546,761 including its prosecution history, filed Nov. 18, 2014, Huang.
 U.S. Appl. No. 14/187,046 Including its prosecution history, filed Feb. 21, 2014, To et al.
 U.S. Appl. No. 14/205,024 Including its prosecution history, filed Mar. 11, 2014, Huang et al.
 U.S. Appl. No. 14/205,167 Including its prosecution history, filed Mar. 11, 2014, Huang et al.
 U.S. Appl. No. 29/427,724 Including its prosecution history, filed Jul. 20, 2012, Brand et al.
 U.S. Appl. No. 29/382,515 Including its prosecution history, filed Jan. 4, 2011, Gallouzi et al.
 U.S. Appl. No. 29/406,346 Including its prosecution history, filed Nov. 11, 2011, Brand.
 U.S. Appl. No. 29/433,665 Including its prosecution history, filed Oct. 3, 2012, Namminga et al.
 U.S. Appl. No. 29/464,620 Including its prosecution history, filed Aug. 19, 2013, Tsai.
 U.S. Appl. No. 29/438,697 Including its prosecution history, filed Nov. 30, 2012, Namminga et al.
 U.S. Appl. No. 29/451,703 Including its prosecution history, filed Apr. 6, 2013, Tsai et al.
 U.S. Appl. No. 29/435,907 Including its prosecution history, filed Oct. 30, 2012, To et al.
 U.S. Appl. No. 29/438,877 Including its prosecution history, filed Dec. 4, 2012, To et al.
 U.S. Appl. No. 29/440,062 Including its prosecution history, filed Dec. 18, 2012, To et al.
 U.S. Appl. No. 29/478,391 Including its prosecution history, filed Jan. 3, 2014, Namminga et al.
 U.S. Appl. No. 29/478,390 Including its prosecution history, filed Jan. 3, 2014, Dang et al.
 U.S. Appl. No. 29/478,383 Including its prosecution history, filed Jan. 3, 2014, Dang et al.
 U.S. Appl. No. 29/478,388 Including its prosecution history, filed Jan. 3, 2014, Kim et al.
 U.S. Appl. No. 29/499,868 Including its prosecution history, filed Aug. 19, 2014, Mophie, Inc.
 U.S. Appl. No. 29/510,154 Including its prosecution history, filed Nov. 25, 2014, Mophie, Inc.
 U.S. Appl. No. 29/510,839 Including its prosecution history, filed Dec. 3, 2014, Mophie, Inc.
 International Search Report and Written Opinion of the International Searching Authority for PCT/US2011/037244, dated Jul. 19, 2011.
 International Preliminary Report on Patentability for PCT/US2011/037244, dated Nov. 29, 2012.
 International Search Report and Written Opinion of the International Searching Authority for PCT/US2011/037249, dated Jul. 13, 2011.
 International Preliminary Report on Patentability for PCT/US2011/037249, dated Nov. 29, 2012.
 International Search Report and Written Opinion of the International Searching Authority for PCT/US2011/037254, dated Jul. 13, 2011.
 International Preliminary Report on Patentability for PCT/US2011/037254, dated Nov. 29, 2012.
 International Search Report and Written Opinion of the International Searching Authority for PCT/US2011/037257, dated Sep. 22, 2011.
 International Preliminary Report on Patentability for PCT/US2011/037257, dated Nov. 29, 2012.
 International Search Report and Written Opinion of the International Searching Authority for PCT/US2012/041768, dated Feb. 27, 2013.
 International Preliminary Report on Patentability for PCT/US2012/041768, dated Dec. 27, 2013.
 International Search Report and Written Opinion of the International Searching Authority for PCT/US2013/057276, dated Dec. 10, 2013.
 International Search Report and Written Opinion of the International Searching Authority for PCT/US2014/017781, dated Jun. 8, 2014.

(56)

References Cited

OTHER PUBLICATIONS

International Search Report and Written Opinion of the International Searching Authority for PCT/US2014/023592, dated Aug. 28, 2014.

Mophie Pulse for iPod Touch 4G, http://www.mophie.com/pulse-iPod-Touch-4th-Gen-vibrating-gaming-case-p/2015_PUL-T4-GRY.htm.

“Sandberg BatteryCase for iPhone 4/4S delivers more band for your buck,” dated Mar. 15, 2012, <http://www.gizmag.com/sanberg-battery-case-iphone/21839>.

Shawn Brown, “Incase Power Slider battery doubles as a case,” dated Nov. 19, 2008, <http://www.iphonebuzz.com/incase-power-slider-battery-doubles-as-a-case-195224.php>.

Nick Guy, “Incipio offGRID Battery Case for iPhone 5/5s,” dated Oct. 9, 2013, <http://www.ilounge.com/index.php/reviews/entry/incipio-offgrid-battery-case-for-iphone5-5s/>.

Jeremy Horwitz, “Mophie Juice Pack Plus for iPhone 5,” dated May 21, 2013, <http://www.ilounge.com/index.php/reviews/entry/mophie-juice-pack-plus-for-iphone-5/>.

Nick Guy, “RND Power Solutions Sync & Charge Dock with Lightning Connector,” dated Nov. 18, 2013, <http://www.ilounge.com/index.php/reviews/entry/tylt-energi-sl>.

Jeremy Horwitz, “Kensington Mini Battery Pack and Charger for iPhone and iPod,” dated May 16, 2008, <http://www.ilounge.com/index.php/reviews/entry/kensington-mini-battery-pack-and-charger-for-iphone-and-ipod/>.

Kensington Mini Battery Pack and Charger for iPhone and iPod, dated Sep. 30, 2008, 1 Page.

Sven Rafferty, “Mybat External Battery for iPhone and iPod,” dated May 18, 2008, <http://svenontech.com/reviews/?p=74>.

Dave Rees, “Richard Solo Backup Battery for iPhone / iPod Review,” dated Jun. 16, 2008, http://the-gadgeteer.com/2008/06/16/richard_solo_backup_battery_for_iphone_ipod/.

Devin Coldewey, “Combination iPhone battery pack and flash from FastMac,” dated Nov. 4, 2008, <http://crunchgear.com/2008/11/04/combination-iphone-battery-pack-and-flash-from-fastmac/>.

“Cheap DIY iPhone External Battery,” dated Jul. 22, 2008, <http://fastdad.wordpress.com/2008/07/22/cheap-diy-iphone-external-battery/>.

Jeremy Horwitz, “iLuv i603 / i604 Rechargeable Lithium Polymer Batteries with Silicone Skin,” dated Jun. 27, 2006, <http://www.ilounge.com/index.php/reviews/entry/iluv-i603-rechargeable-lithium-polymer-battery-with-silicone-skin/>.

Julie Strietelmeier, “Seidio INNODock Desktop Cradle for Treo 650,” dated Jul. 28, 2005, http://the-gadgeteer.com/2005/07/28/seidio_innodock_desktop_cradle_for_treo_650/.

Brian Nyhuis, “Mophie Juice Pack Battery Case for Samsung Galaxy S III Review,” dated Nov. 28, 2012, http://www.legitreviews.com/mophie-juice-pack-battery-case-for-samsung-galaxy-s-iii-review_2084.

“PowerSkin Samsung Galaxy S3 Case with Backup Battery,” dated Aug. 19, 2012, <http://gadgetsins.com/powerskin-samsung-galaxy-s-case-with-backup-battery.htm>.

“iPhone 4 Case with Battery Pack,” dated Sep. 28, 2010, <http://gadgetsins.com/iphone-4-case-with-battery-pack.htm>.

Jonathan Pena, “iPhone 5 Cases, Round 3,” dated Sep. 16, 2012, <http://www.technologytell.com/apple/103833/iphone-5-cases-round-3/>.

Jeremy Horwitz, “Mophie Juice Pack for iPhone,” dated Dec. 7, 2007, <http://www.ilounge.com/index.php/reviews/entry/mophie-juice-pack-for-iphone/>.

Dr. Macenstein, “Review: Mophie Juice Pack for iPhone,” dated Apr. 27, 2008, <http://macenstein.com/default/archives/1314>.

Wayne Schulz, “iPhone Extended Battery Review—Mophie Juice Pack,” dated Jun. 17, 2008, <http://www.geardiary.com/2008/06/17/iphone-extended-battery-review-mophie-juice-pack/>.

Mophie Juice Pack iPhone 1G Product—Figures 1-7—Retrieved from <http://www.mophie.com/products/juice-pack> on Apr. 10, 2009.

Mophie Juice Pack iPhone 1G Product—Figure 8—Retrieved from <http://www.mophie.com/pages/information/> on Apr. 10, 2009.

Mophie Juice Pack iPhone 1G Product—Figures 9-14—Retrieved from http://www.mophie.com/blogs/Juice_Pack_FAQ on Apr. 10, 2009.

Mophie Juice Pack iPhone 1G Product—Figures 15-16—Retrieved from http://mophie.com/blogs/Juice_Pack_FAQ on Apr. 20, 2009. Figure 16 is dated May 1, 2008.

Tomas Ratas, “Mophie Juice Pack—iPhone 3G,” dated Dec. 9, 2008, <http://www.testfreaks.com/blog/review/mophie-juice-pack-iphone-3g/>.

Dr. Macenstein, “Review: Mophie Juice Pack 3G for iPhone,” dated Nov. 27, 2008, <http://macenstein.com/default/archives/1820>.

Ewdison Then, “Mophie Juice Pack iPhone 3G Review,” dated Nov. 12, 2008, <http://www.slashgear.com/mophie-juice-pack-iphone-3g-review-1222446/>.

Mophie Juice Pack iPhone 3G Product—Figures 1-8—Retrieved from <http://www.mophie.com/products/juice-pack-iphone-3g> on Apr. 10, 2009.

Mophie Juice Pack iPhone 3G Product—Figures 9-10—Retrieved from <http://www.mophie.com/pages/iphone-3g-details> on Apr. 10, 2009.

Mophie Juice Pack iPhone 3G Product—Figures 11-14—Retrieved from http://mophie.com/blogs/Juice_Pack_3G_FAQ on Apr. 10, 2009.

Mophie Juice Pack iPhone 3G Product—Figures 15-16—Retrieved from <http://mophie.com/blogs/press> on Apr. 20, 2009. Figure 15 is dated Aug. 4, 2008, and Figure 16 is dated Nov. 10, 2008.

Mophie Juice Pack iPhone 3G User Manual—Retrieved from http://static3.shopify.com/s/files/1/0008/4942/assets/mophie_juice_pack_3G_manual_rl.pdf on Apr. 10, 2009.

Panasonic Lithium Ion Batteries Technical Handbook, dated 2007.

Chris Foresman, “Several Backup Batteries Can Extend Your Daily iPhone 3G Use,” dated Jul. 18, 2008, <http://arstechnica.com/apple/2008/07/several-backup-batteries-can-extend-your-daily-iphone-3g-use/>.

Using Your Treo 650 Smartphone by palmOne, dated 2005.

Lisa Gade, “Palm Treo 750,” dated Jan. 17, 2007, <http://www.mobiletechreview.com/phones/Treo-750.htm>.

Incase Power Slider 3G for iPhone 3G Product Reference, alleged by Incase to be available on Nov. 28, 2008.

iPhone User’s Guide, 2007.

“Power Slider,” Web Archive Date Dec. 4, 2008, <https://web.archive.org/web/20081204105303/http://goincase.com/products/detail/power-slider-ec20003/>.

Azadeh Ensha, “A Case for Filling the iPhone 3G’s Power Vacuum,” Dated Nov. 27, 2008.

Joseph Flatley, “Incase Power Slider for iPhone 3G Doubles the Juice, Lets You Sync,” dated Nov. 17, 2008.

Darren Quick, “Mophie Juice Pack for iPhone 3G now shipping,” dated Nov. 10, 2008, <http://www.gizmag.com/mophie-juice-pack-iphone-3g/10342/>.

Otterbox Catalog, 2006.

Jeremy Horowitz, “PhoneSuit MiLi Power Pack for iPhone,” Jan. 29, 2009, <http://www.ilounge.com/index.php/reviews/entry/phonesuit-mili-power-pack-for-iphone/>.

Jeremy Horowitz, “FastMac TruePower iV Universal Battery Charger,” Dec. 11, 2008, <http://www.ilounge.com/index.php/reviews/entry/fastmac-truepower-iv-universal-battery-charger/>.

Jeremy Horowitz, “Konnet PowerKZ Extended Power for iPhone,” Apr. 2, 2009, <http://www.ilounge.com/index.php/reviews/entry/konnet-powerkz-extended-power-for-iphone/>.

“Test: Batterie iPhone SKPAD” with Machine English Translation, Feb. 2, 2009, <http://iphonesofa.com/2009/02/02/test-batterie-iphone-skpad>.

Kanamori et al., “USB battery-charger designs meet new industry standards,” EDN pp. 63-70, dated February 21, 2008.

AVR458: Charging Lithium-Ion Batteries with ATAVRBC100, which appear to include a date of Aug. 2008.

Battery Charging Specification, dated Apr. 15, 2009.

BCM2033 Product Brief, 2 pages, dated Nov. 1, 2002.

(56)

References Cited

OTHER PUBLICATIONS

“USB battery charger detector intelligently powers mobiles,” Dec. 17, 2007, http://www.eetasia.com/ART_8800493819_765245_NP_10b171b6.HTMce#.

Webpage Archive, Mophie.com, Nov. 25, 2007.

Ben Kaufman, “Behind the Invention: The mophie Juice Pack,” dated Dec. 31, 2013, <https://medium.com/@benkaufman/behind-the-invention-the-mophie-juice-pack-a0620f74efcf>.

Mophie Relo Recharge, dated Feb. 7, 2006, <http://songsling.com/recharge.html>.

Case-Ari, LLC v. mStation, Inc., Case No. 1:2010-CV-01874 in the United States District Court for the Northern District of Georgia, filed Jun. 17, 2010 (Docket).

Daniel Huang v. GC Technology, LLC, Case No. CV10-4705 CAS (VBKx) in the United States District Court for the Central District of California, filed Jun. 24, 2010 (Docket).

Hali-Power, Inc. v. mStation Corp., Case No. 1:2010-CV-00773 in the United States District Court for the Northern District of New York, filed Jun. 30, 2010 (Docket).

Mophie, Inc. v. Loza & Loza, LLP, Case No. SACV11-00539 DOC (MLGx) in the United States District Court for the Central District of California, filed Apr. 7, 2011 (Docket).

Mophie’s Complaint, filed Apr. 7, 2011 in *Mophie, Inc. v. Loza & Loza, LLP*, Case No. SACV11-00539 DOC (MLGx) in the United States District Court for the Central District of California.

Mophie, Inc. v. Foreign Trade Corporation, Case No. 8:12-CV-00292-JST-RNB in the United States District Court for the Central District of California, filed Feb. 24, 2012 (Docket).

Mophie, Inc. v. Kdlinks Inc., Case No. 2:2012-CV-02639 in the United States District Court for the Central District of California, filed Mar. 27, 2012 (Docket).

Otter Products, LLC v. Mophie, LLC, Case No. 1:2012-CV-01969 in the United States District Court for the District of Colorado, filed Jul. 27, 2012 (Docket).

Mophie’s Answer, filed Oct. 15, 2012 in *Otter Products, LLC v. Mophie, LLC*, Case No. 1:2012-CV-01969 in the United States District Court for the District of Colorado.

Otter’s Motion for Summary Judgment of Infringement and Declaration in Support Thereof, filed May 13, 2013 in *Otter Products, LLC v. Mophie, LLC*, Case No. 1:2012-CV-01969 in the United States District Court for the District of Colorado.

Mophie’s Opposition to Motion for Summary Judgment of Infringement, filed Jun. 6, 2013 in *Otter Products, LLC v. Mophie, LLC*, Case No. 1:2012-CV-01969 in the United States District Court for the District of Colorado.

Mophie’s Claim Construction Brief, filed Jun. 14, 2013 in *Otter Products, LLC v. Mophie, LLC*, Case No. 1:2012-CV-01969 in the United States District Court for the District of Colorado.

Otter’s Claim Construction Brief, filed Jun. 14, 2013 in *Otter Products, LLC v. Mophie, LLC*, Case No. 1:2012-CV-01969 in the United States District Court for the District of Colorado.

Mophie’s Brief in Response to Otter’s Claim Construction Brief, filed Jun. 24, 2013 in *Otter Products, LLC v. Mophie, LLC*, Case No. 1:2012-CV-01969 in the United States District Court for the District of Colorado.

Otter’s Rebuttal Brief for Construction of Claim Terms and Declaration, filed Jun. 24, 2013 in *Otter Products, LLC v. Mophie, LLC*, Case No. 1:2012-CV-01969 in the United States District Court for the District of Colorado.

Otter’s Reply in Support of Motion for Summary Judgment of Infringement, filed Jun. 24, 2013 in *Otter Products, LLC v. Mophie, LLC*, Case No. 1:2012-CV-01969 in the United States District Court for the District of Colorado.

Joint Claim Construction Statement, filed Jun. 26, 2013 in *Otter Products, LLC v. Mophie, LLC*, Case No. 1:2012-CV-01969 in the United States District Court for the District of Colorado.

Incase Designs, Inc. v. Mophie, Inc., Case No. 3:2013-CV-00602 in the United States District Court for the Northern District of California, filed Feb. 12, 2013 (Docket).

Mophie’s Amended Answer and Counterclaims, filed May 8, 2013 in *Incase Designs, Inc. v. Mophie, Inc.*, Case No. 3:2013-CV-00602 in the United States District Court for the Northern District of California.

Mophie’s Opposition to Motion to Strike Amended Affirmative Defenses, Filed Jun. 12, 2013 in *Incase Designs, Inc. v. Mophie, Inc.*, Case No. 3:2013-CV-00602 in the United States District Court for the Northern District of California.

Mophie’s Reply in Support of Motion to Stay and Supporting Declaration, filed Sep. 3, 2103 in *Incase Designs, Inc. v. Mophie, Inc.*, Case No. 3:2013-CV-00602 in the United States District Court for the Northern District of California.

Incase Designs, Inc. v. Mophie, Inc., Case No. 3:2013-CV-03356 in the United States District Court for the Northern District of California, filed Jul. 18, 2013 (Docket).

Incase Designs, Corp. v. Mophie, Inc., Case No. 3:2013-CV-04314 in the United States District Court for the Northern District of California, filed Sep. 18, 2013 (Docket).

Mophie Motion 1—To Be Accorded Benefit, filed Nov. 20, 2013 in Patent Interference No. 105,946(RES).

Declaration of John Feland, Ph.D, in Support of Mophie Motion 1 to Be Accorded Benefit, dated Nov. 20, 2013, in Patent Interference No. 105,946(RES).

Mophie Motion 2—for Judgment that Incase’s Involved Claims Are Unpatentable, filed Nov. 20, 2013 in Patent Interference No. 105,946(RES).

Declaration of John Feland, Ph.D, In Support of Mophie Motion 2 for Judgement That Incase’s Involved Claims Are Unpatentable, dated Nov. 20, 2013, in Patent Interference No. 105,946(RES).

Incuse Motion 1—Motion for Benefit, filed Nov. 20, 2013 in Patent Interference No. 105,946(RES).

Incuse Motion 2—Motion to Undesignate Claims, filed Nov. 20, 2013 in Patent Interference No. 105,946(RES).

Incuse Motion 3—Motion for Judgment Based on Lack of Written Description, filed Nov. 20, 2013 in Patent Interference No. 105,946(RES).

Incuse Motion 4—Motion for Unpatentability of Mophie Claims, filed Nov. 20, 2013 in Patent Interference No. 105,946(RES).

Declaration of Andrew Wolfe, filed Nov. 20, 2013 in Patent Interference No. 105,946(RES).

Declaration of Thomas Overthun, filed Nov. 20, 2013 in Patent Interference No. 105,946(RES).

Declaration of Gabriel Dan, filed Nov. 20, 2013 in Patent Interference No. 105,946(RES).

Mophie’s Third Amended Complaint, filed Jun. 27, 2014, in *Mophie, Inc. v. Source Vista*, Case No. 8:13-CV-01321 in the United States District Court for the Central District of California.

LivingSocial’s Answer to Mophie’s Fifth Amended Complaint and Counterclaims, filed Sep. 24, 2014, in *Mophie, Inc. v. Source Vista*, Case No. 8:13-CV-01321 in the United States District Court for the Central District of California.

Shah’s Answer, Affirmative Defenses, and Counterclaims to Plaintiff’s Fifth Amended Complaint, filed Sep. 24, 2014, in *Mophie, Inc. v. Source Vista*, Case No. 8:13-CV-01321 in the United States District Court for the Central District of California.

Expert Report of Dr. David Munson, dated Aug. 28, 2014, in *Mophie, Inc. v. Source Vista*, Case No. 8:13-CV-01321 in the United States District Court for the Central District of California.

Expert Report of John Feland, Ph.D, dated Aug. 28, 2014, in *Mophie, Inc. v. Source Vista*, Case No. 8:13-CV-01321 in the United States District Court for the Central District of California.

Rebutal Expert Report of John Feland, Ph.D, dated Sep. 25, 2014, in *Mophie, Inc. v. Source Vista*, Case No. 8:13-CV-01321 in the United States District Court for the Central District of California.

Rebutal Expert Report of Dr. David Munson, dated Sep. 25, 2014, in *Mophie, Inc. v. Source Vista*, Case No. 8:13-CV-01321 in the United States District Court for the Central District of California.

Mophie’s Second Amended Response to LivingSocial’s Interrogatory No. 1[21], dated Aug. 28, 2014, in *Mophie, Inc. v. Source Vista*, Case No. 8:13-CV-01321 in the United States District Court for the Central District of California.

Mophie’s Second Amended Response to LivingSocial’s Interrogatory No. 1[21], dated Aug. 28, 2014, in *Mophie, Inc. v. Source Vista*, Case No. 8:13-CV-01321 in the United States District Court for the Central District of California.

(56)

References Cited

OTHER PUBLICATIONS

Mophie's Second Amended Response to Serve Global's Interrogatory No. 2, dated Aug. 28, 2014, in *Mophie, Inc. v. Source Vista*, Case No. 8:13-CV-01321 in the United States District Court for the Central District of California.

Defendant's Memorandum in Support of Motion for Partial Summary Judgment, dated Sep. 23, 2014, in *Mophie, Inc. v. Source Vista*, Case No. 8:13-CV-01321 in the United States District Court for the Central District of California.

Declaration of David Munson in Support of Defendant's Motion for Partial Summary Judgment, dated Sep. 22, 2014, in *Mophie, Inc. v. Source Vista*, Case No. 8:13-CV-01321 in the United States District Court for the Central District of California.

John Feland, Ph.D. Deposition Transcript, dated Sep. 30, 2014, in *Mophie, Inc. v. Source Vista*, Case No. 8:13-CV-01321 in the United States District Court for the Central District of California.

Matthew Brand Deposition Transcript, dated Jul. 23, 2014, in *Mophie, Inc. v. Source Vista*, Case No. 8:13-CV-01321 in the United States District Court for the Central District of California.

Dharmesh Shah Deposition Transcript, dated Jul. 11, 2014, in *Mophie, Inc. v. Source Vista*, Case No. 8:13-CV-01321 in the United States District Court for the Central District of California.

Defendants' Statement of Uncontroverted Material Fact and Contentions of Law, filed Sep. 22, 2014 in *Mophie, Inc. v. Source Vista*, Case No. 8:13-CV-01321 in the United States District Court for the Central District of California.

Memorandum of Points and Authorities in Support of Mophie's Motion for Summary Judgment, filed Sep. 22, 2014, in *Mophie, Inc. v. Source Vista*, Case No. 8:13-CV-01321 in the United States District Court for the Central District of California.

Statement of Uncontroverted Facts and Conclusions of Law in Support of Mophie's Motion for Summary Judgment, filed Sep. 22, 2014, in *Mophie, Inc. v. Source Vista*, Case No. 8:13-CV-01321 in the United States District Court for the Central District of California.

Mophie's Opposition to Shah and Serve Global's Motion for Partial Summary Judgment, dated Oct. 3, 2014, in *Mophie, Inc. v. Source Vista*, Case No. 8:13-CV-01321 in the United States District Court for the Central District of California.

Statement of Genuine Disputes of Material Fact in Opposition to Shah and Serve Global's Motion for Partial Summary Judgment, filed Oct. 3, 2014, in *Mophie, Inc. v. Source Vista*, Case No. 8:13-CV-01321 in the United States District Court for the Central District of California.

Opposition of LivingSocial to Mophie's Motion for Summary Judgment, dated Oct. 3, 2014, in *Mophie, Inc. v. Source Vista*, Case No. 8:13-CV-01321 in the United States District Court for the Central District of California.

Defendants' Opposition to Plaintiff's Motion for Summary Judgment, filed Oct. 3, 2014, in *Mophie, Inc. v. Source Vista*, Case No. 8:13-CV-01321 in the United States District Court for the Central District of California.

Defendants' Response to Plaintiff's Statement of Uncontroverted Material Fact and Contentions of Law, filed Oct. 3, 2014, in *Mophie, Inc. v. Source Vista*, Case No. 8:13-CV-01321 in the United States District Court for the Central District of California.

David Munson Deposition Transcript, dated Sep. 29, 2014, in *Mophie, Inc. v. Source Vista*, Case No. 8:13-CV-01321 in the United States District Court for the Central District of California.

Mophie's First Amended Complaint, filed Jun. 25, 2014, in *Mophie, Inc. v. UNU Electronics Inc.*, Case No. 8:13-CV-01705 in the United States District Court for the Central District of California.

Unu's Answer and Counterclaims, filed Jul. 10, 2014, in *Mophie, Inc. v. UNU Electronics Inc.*, Case No. 8:13-CV-01705 in the United States District Court for the Central District of California.

Mophie's Responses to Defendant's Third Set of Interrogatories (No. 12), dated Aug. 21, 2014, in *Mophie, Inc. v. UNU Electronics Inc.*, Case No. 8:13-CV-01705 in the United States District Court for the Central District of California.

Mophie's Responses to Defendant's First set of Requests for Admissions (Nos. 1-46), dated Aug. 19, 2014, in *Mophie, Inc. v. UNU Electronics Inc.*, Case No. 8:13-CV-01705 in the United States District Court for the Central District of California.

Mophie's Responses to Defendant's Second set of Requests for Admissions (Nos. 47-109), dated Aug. 19, 2014, in *Mophie, Inc. v. UNU Electronics Inc.*, Case No. 8:13-CV-01705 in the United States District Court for the Central District of California.

Request for Ex Parte Reexamination of U.S. Pat. No. 8,367,235, filed Aug. 14, 2014.

Corrected Request for Ex Parte Reexamination of U.S. Pat. No. 8,367,235, filed Sep. 18, 2014.

Declaration of John Feland, Ph.D. In Support of Mophie's Opposition to Defendants Motion for Partial Summary Judgment, filed Oct. 3, 2014, in *Mophie, Inc. v. Source Vista*, Case No. 8:13-CV-01321 in the United States District Court for the Central District of California.

LivingSocial's Reply in Support of Motion for Summary Judgment, Filed Oct. 10, 2014, in *Mophie, Inc. v. Source Vista*, Case No. 8:13-CV-01321 in the United States District Court for the Central District of California.

Defendants' Reply in Support of Motion for Partial Summary Judgment, Filed Oct. 10, 2014, in *Mophie, Inc. v. Source Vista*, Case No. 8:13-CV-01321 in the United States District Court for the Central District of California.

Reply in Support of Mophie's Motion for Summary Judgment, Filed Oct. 10, 2014, in *Mophie, Inc. v. Source Vista*, Case No. 8:13-CV-01321 in the United States District Court for the Central District of California.

Mophie's Reply to Counterclaims of LivingSocial, filed Oct. 14, 2014, in *Mophie, Inc. v. Source Vista*, Case No. 8:13-CV-01321 in the United States District Court for the Central District of California.

Mophie's Reply to Counterclaims of Shah, filed Oct. 14, 2014, in *Mophie, Inc. v. Source Vista*, Case No. 8:13-CV-01321 in the United States District Court for the Central District of California.

Defendant's Response to Mophie's Fourth Set of Interrogatories, dated Sep. 23, 2014, in *Mophie, Inc. v. UNU Electronics Inc.*, Case No. 8:13-CV-01705 in the United States District Court for the Central District of California.

Plaintiff Mophie's Preliminary Claim Constructions and Identification of Extrinsic Evidence, dated Oct. 14, 2014, in *Mophie, Inc. v. UNU Electronics Inc.*, Case No. 8:13-CV-01705 in the United States District Court for the Central District of California.

Defendant's Preliminary Claim Constructions and Extrinsic Evidence, dated Oct. 14, 2014, in *Mophie, Inc. v. UNU Electronics Inc.*, Case No. 8:13-CV-01705 in the United States District Court for the Central District of California.

Plaintiff Mophie's Opening Brief on Claim Construction, filed Oct. 29, 2014, in *Mophie, Inc. v. UNU Electronics Inc.*, Case No. 8:13-CV-01705 in the United States District Court for the Central District of California.

Declaration of John Feland, Ph.D. In Support of Plaintiff's Preliminary Claim Constructions, filed Oct. 29, 2014, in *Mophie, Inc. v. UNU Electronics Inc.*, Case No. 8:13-CV-01705 in the United States District Court for the Central District of California.

Supplemental Declaration of John Feland, Ph.D. in Support of Plaintiff's Claim Constructions, filed Oct. 29, 2014, in *Mophie, Inc. v. UNU Electronics Inc.*, Case No. 8:13-CV-01705 in the United States District Court for the Central District of California.

Declaration of Sheila N. Swaroop in Support of Mophie's Opening Claim Construction Brief, filed Oct. 29, 2014, in *Mophie, Inc. v. UNU Electronics Inc.*, Case No. 8:13-CV-01705 in the United States District Court for the Central District of California.

Transcript of Deposition of John Feland, dated Oct. 21, 2014, in *Mophie, Inc. v. UNU Electronics Inc.*, Case No. 8:13-CV-01705 in the United States District Court for the Central District of California.

Defendant's Opening Claim Construction Brief, dated Oct. 29, 2014, in *Mophie, Inc. v. UNU Electronics Inc.*, Case No. 8:13-CV-01705 in the United States District Court for the Central District of California.

(56)

References Cited

OTHER PUBLICATIONS

Order Granting Request for Ex Parte Reexamination of U.S. Pat. No. 8,367,235, in Reexamination Control No. 90/013,319, dated Oct. 24, 2014.

Order Re LivingSocial's Motion for Summary Judgment, Mophie's Motion for Summary Judgment, Source Vista and Shah's Motion for Partial Summary Judgment, and Mophie's Motion to Bifurcate, dated Nov. 12, 2014, in *Mophie, Inc. v. Source Vista*, Case No. 8:13-CV-01321 in the United States District Court for the Central District of California.

Mophie's Memorandum in Support of its Motion for Reconsideration, filed Nov. 19, 2014, in *Mophie, Inc. v. Source Vista*, Case No. 8:13-CV-01321 in the United States District Court for the Central District of California.

Declaration of Sheila N. Swaroop in Support of Mophie's Motion for Reconsideration, filed Nov. 19, 2014, in *Mophie, Inc. v. Source Vista*, Case No. 8:13-CV-01321 in the United States District Court for the Central District of California.

Order Denying Plaintiff's Motion for Reconsideration, dated Nov. 21, 2014, in *Mophie, Inc. v. Source Vista*, Case No. 8:13-CV-01321 in the United States District Court for the Central District of California.

U.S. Appl. No. 15/130,196 including its prosecution history, filed Apr. 15, 2016, Huang.

U.S. Appl. No. 29/539,419 Including its prosecution history, filed Sep. 14, 2015, Dang et al.

U.S. Appl. No. 29/523,209 Including its prosecution history, filed Apr. 7, 2015, Mophie, Inc.

U.S. Appl. No. 29/528,266 Including its prosecution history, filed May 27, 2015, Gjøvik et al.

U.S. Appl. No. 29/534,901 Including its prosecution history, filed Jul. 31, 2015, Dang et al.

U.S. Appl. No. 15/223,683 Including its prosecution history, filed Jul. 29, 2016, Huang et al.

U.S. Appl. No. 15/223,735 Including its prosecution history, filed Jul. 29, 2015, Diebel et al.

International Preliminary Report on Patentability for PCT/US2013/057276, dated Mar. 3, 2015.

International Preliminary Report on Patentability for PCT/US2014/017781, dated Aug. 25, 2015.

International Preliminary Report on Patentability for PCT/US2014/023592, dated Sep. 15, 2015.

International Search Report and Written Opinion for PCT/US2014/067470, dated Mar. 31, 2015.

International Preliminary Report of Patentability for PCT/US2014/067470, dated Jun. 9, 2016.

International Search Report and Written Opinion for PCT/US2015/065800, dated Apr. 21, 2016.

Amazon.com, "Galaxy S6 Battery Case, i-Blason External Protective Battery Case/Cover for Samsung Galaxy S6 2015 Release." Customer Review published Mar. 29, 2015. Retrieved from internet at <<http://www.amazon.com/Case-i-Blason-External-Protective-Versions/dp/B00SNS4LME>>, Apr. 28, 2016. 7 pages.

Defendants Dharmesh Shah and Serve Global, LLC's Memorandum of Points and Authorities in Support of Defendants's Motion for Attorney's Fees, filed Mar. 21, 2015, in *Mophie, Inc. v. Source Vista*, Case No. 8:13-CV-01321 in the United States District Court for the Central District of California.

Memorandum of Points and Authorities in Support of Livingsocial, Inc.'s Motion for Legal Fees and Costs, filed Mar. 20, 2015, in *Mophie, Inc. v. Source Vista*, Case No. 8:13-CV-01321 in the United States District Court for the Central District of California.

Plaintiff Mophie, Inc.'s Opposition to Defendants Dharmesh Shah and Serve Global, LLC's Motion for Attorneys' Fees, filed Apr. 3, 2015, in *Mophie, Inc. v. Source Vista*, Case No. 8:13-CV-01321 in the United States District Court for the Central District of California.

Plaintiff Mophie, Inc.'s Opposition to Defendant Livingsocial, Inc.'s Motion for Attorneys' Fees, filed Apr. 3, 2015, in *Mophie, Inc. v. Source Vista*, Case No. 8:13-CV-01321 in the United States District Court for the Central District of California.

Reply to Plaintiff's Opposition to Defendants Dharmesh Shah and Serve Global, LLC's Motion for Attorney's Fees, filed Apr. 10, 2015, in *Mophie, Inc. v. Source Vista*, Case No. 8:13-CV-01321 in the United States District Court for the Central District of California.

Reply in Support of Livingsocial, Inc.'s Motion for Legal Fees and Costs, filed Apr. 10, 2015, in *Mophie, Inc. v. Source Vista*, Case No. 8:13-CV-01321 in the United States District Court for the Central District of California.

Amended Final Judgment and Permanent Injunction, dated Dec. 11, 2015, in *Mophie, Inc. v. Source Vista*, Case No. 8:13-CV-01321 in the United States District Court for the Central District of California.

Order Re Motions for Attorneys' Fees, Motion to Amend Permanent Injunction, Motions for Judgment as a Matter of Law, Motion for Relief From Judgment, and Motion for New Trial, dated Dec. 11, 2015, in *Mophie, Inc. v. Source Vista*, Case No. 8:13-CV-01321 in the United States District Court for the Central District of California.

Mophie's Complaint, filed Dec. 16, 2015, in *Mophie, Inc. v. Cute Mobile Inc.*, Case No. 8:15-cv-02086 in the United States District Court for the Central District of California.

Daniel Huang Deposition Transcript (Redacted) with Exhibit 121, dated Aug. 21, 2014, in *Mophie, Inc. v. Source Vista*, Case No. 8:13-CV-01321 in the United States District Court for the Central District of California.

Mophie's First Amended Complaint, filed May 25, 2016 in *Mophie, Inc. v. Cute Mobile Inc.*, Case No. 8:15-cv-02086 in the United States District Court for the Central District of California.

U.S. Appl. No. 29/556,805 Including its prosecution history, filed Mar. 3, 2016, Dang et al.

U.S. Appl. No. 29/556,807 Including its prosecution history, filed Mar. 3, 2016, Dang et al.

U.S. Appl. No. 29/556,809 Including its prosecution history, filed Mar. 3, 2016, Dang et al.

* cited by examiner

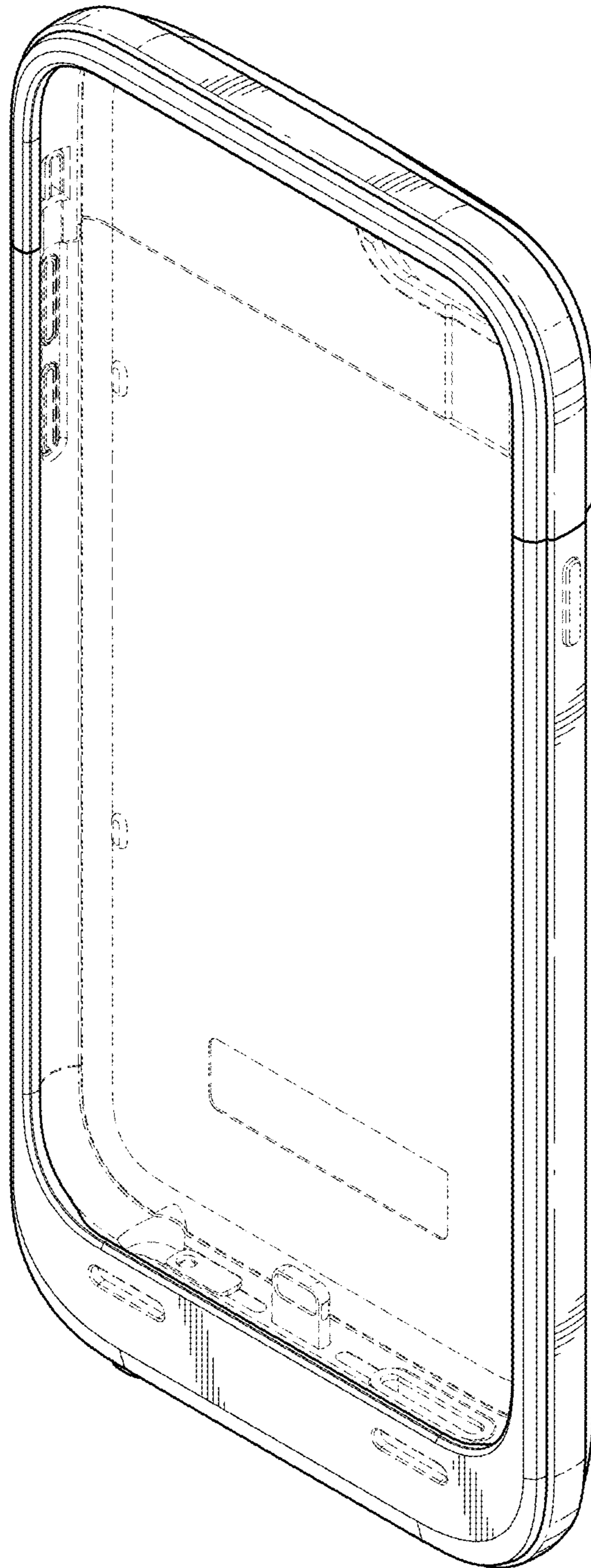


FIG. 1

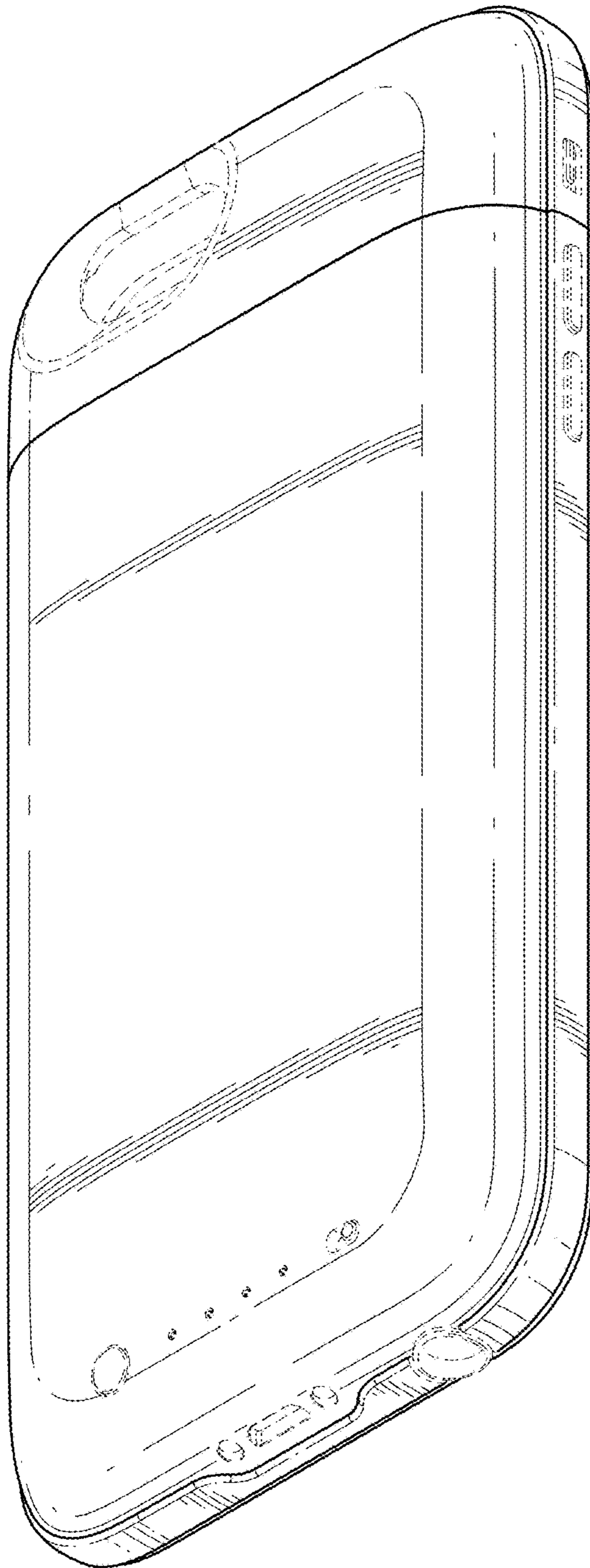


FIG. 2

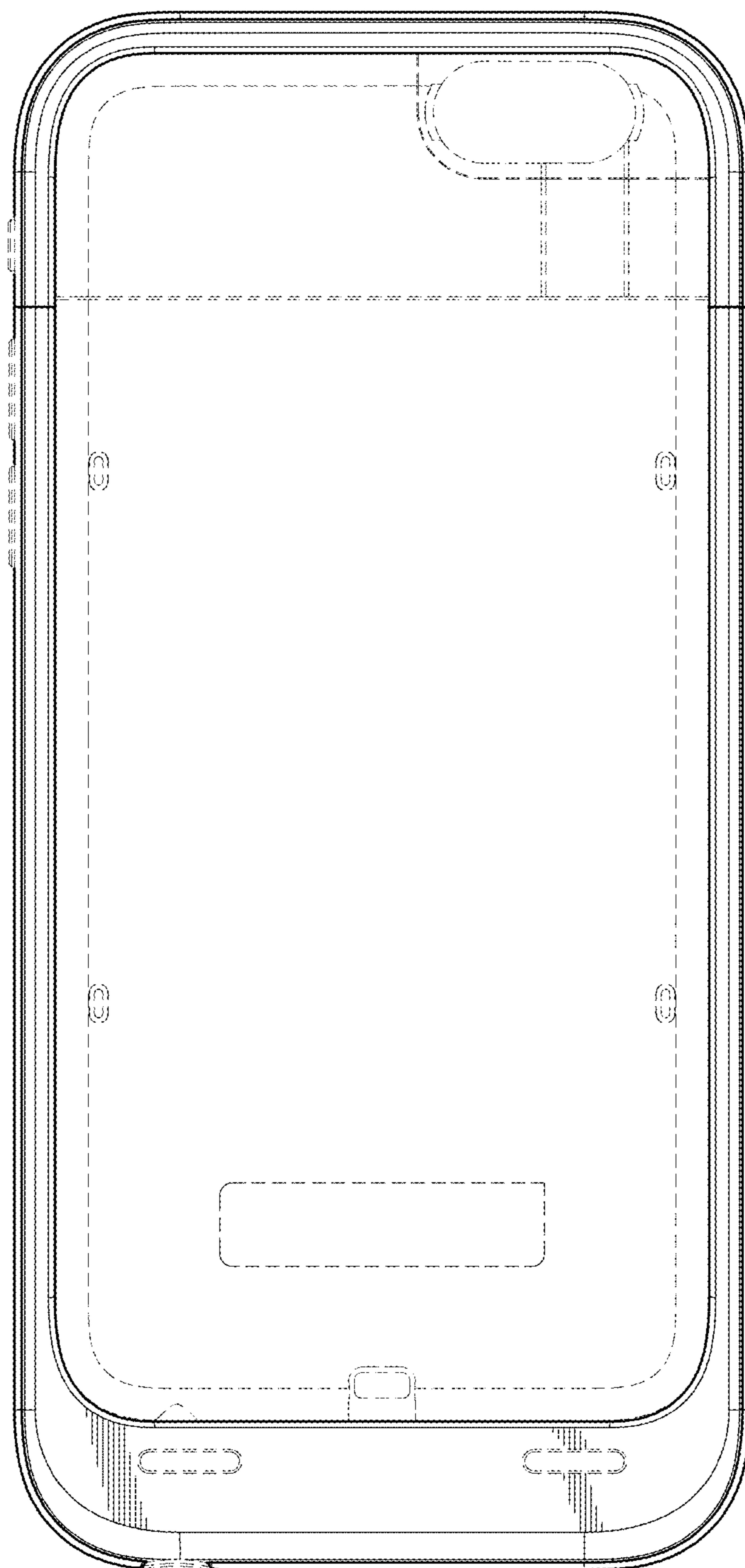


FIG. 3

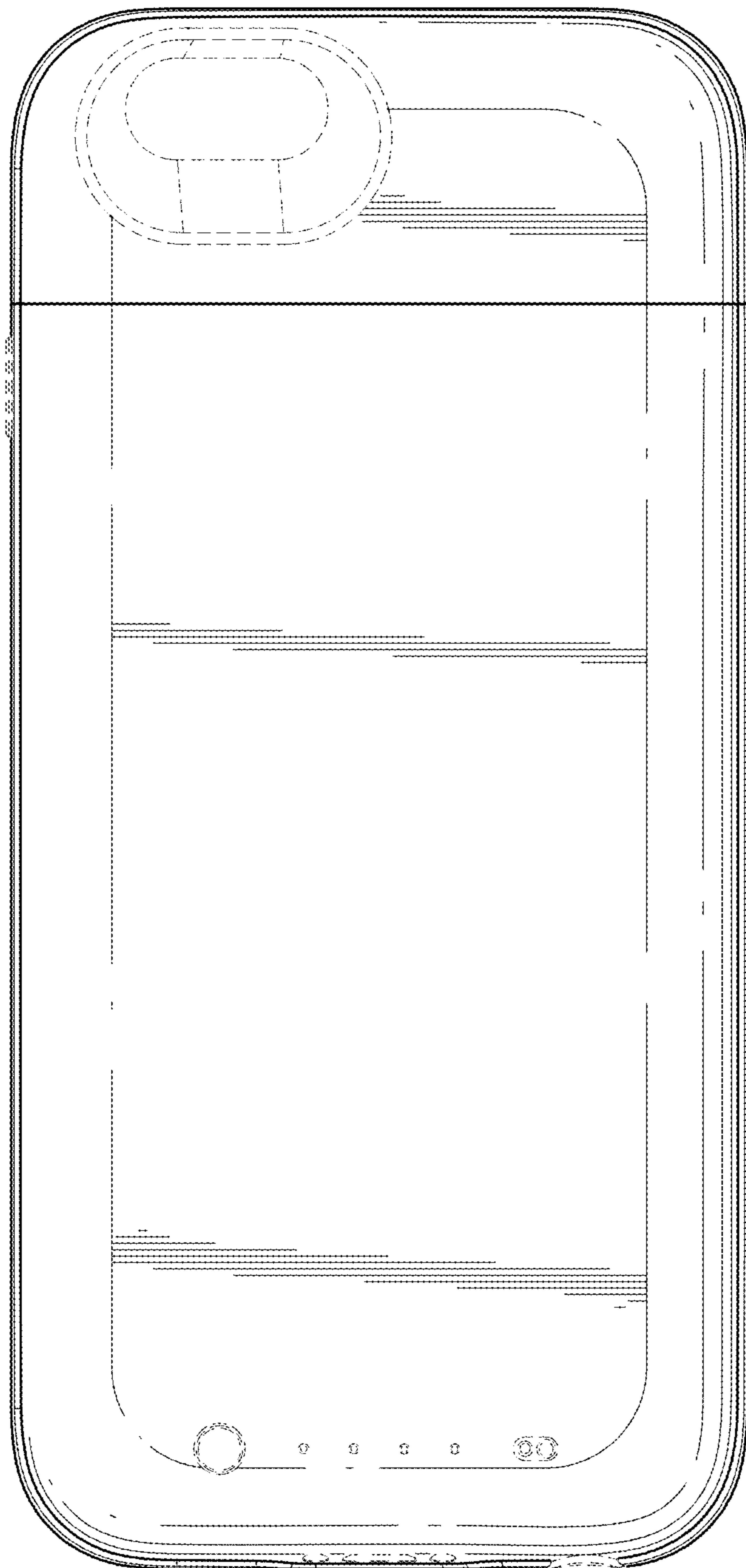


FIG. 4

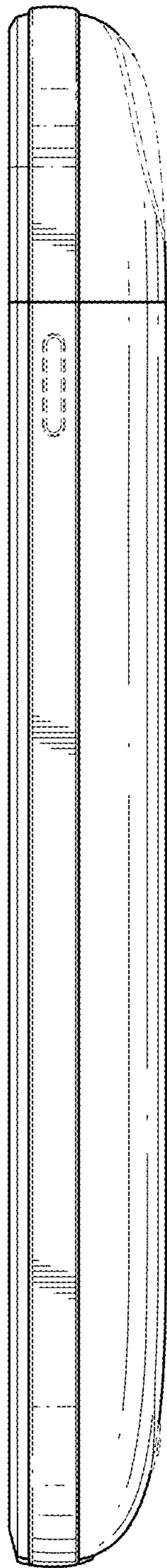


FIG. 5

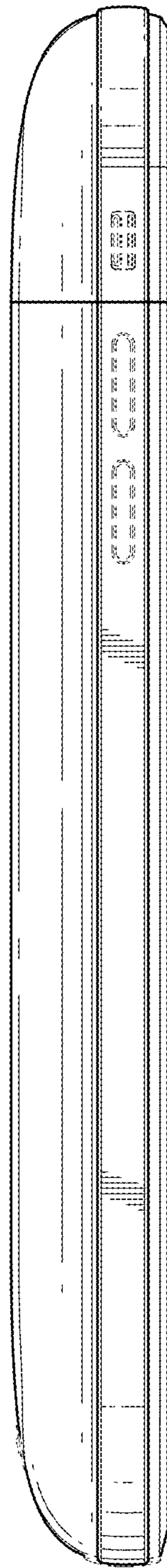


FIG. 6

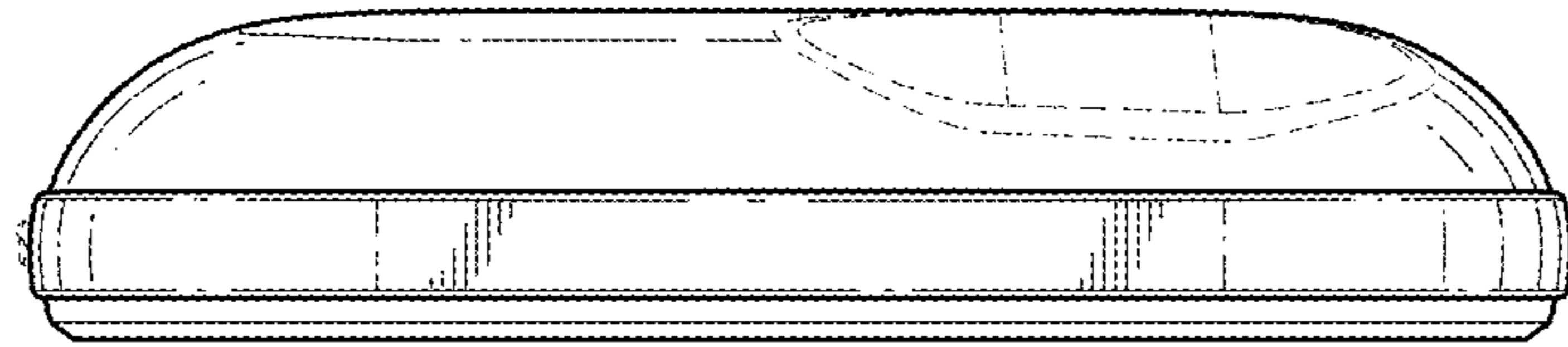


FIG. 7

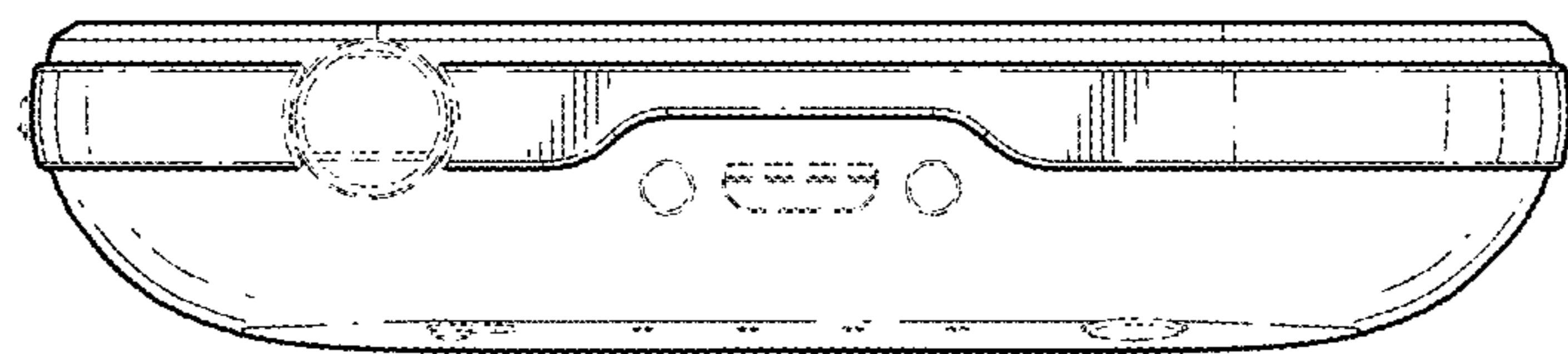


FIG. 8

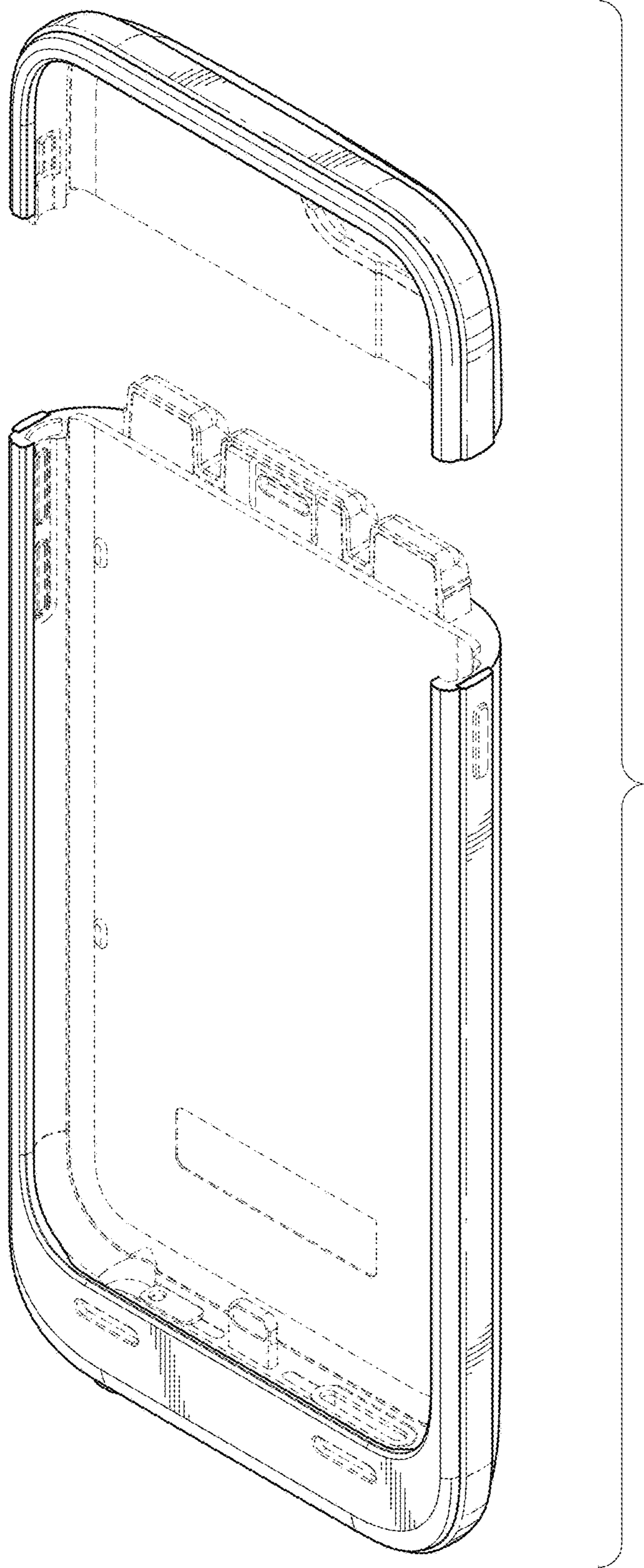


FIG. 9

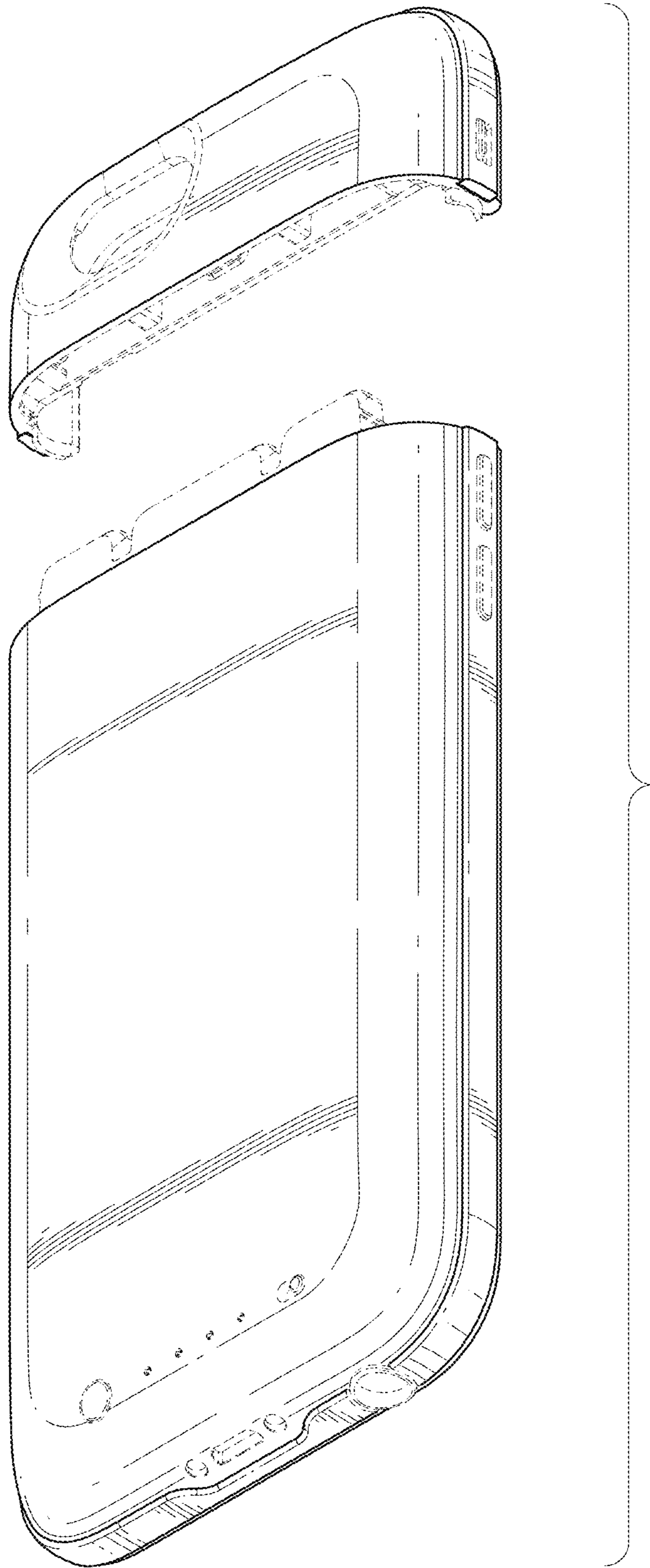


FIG. 10

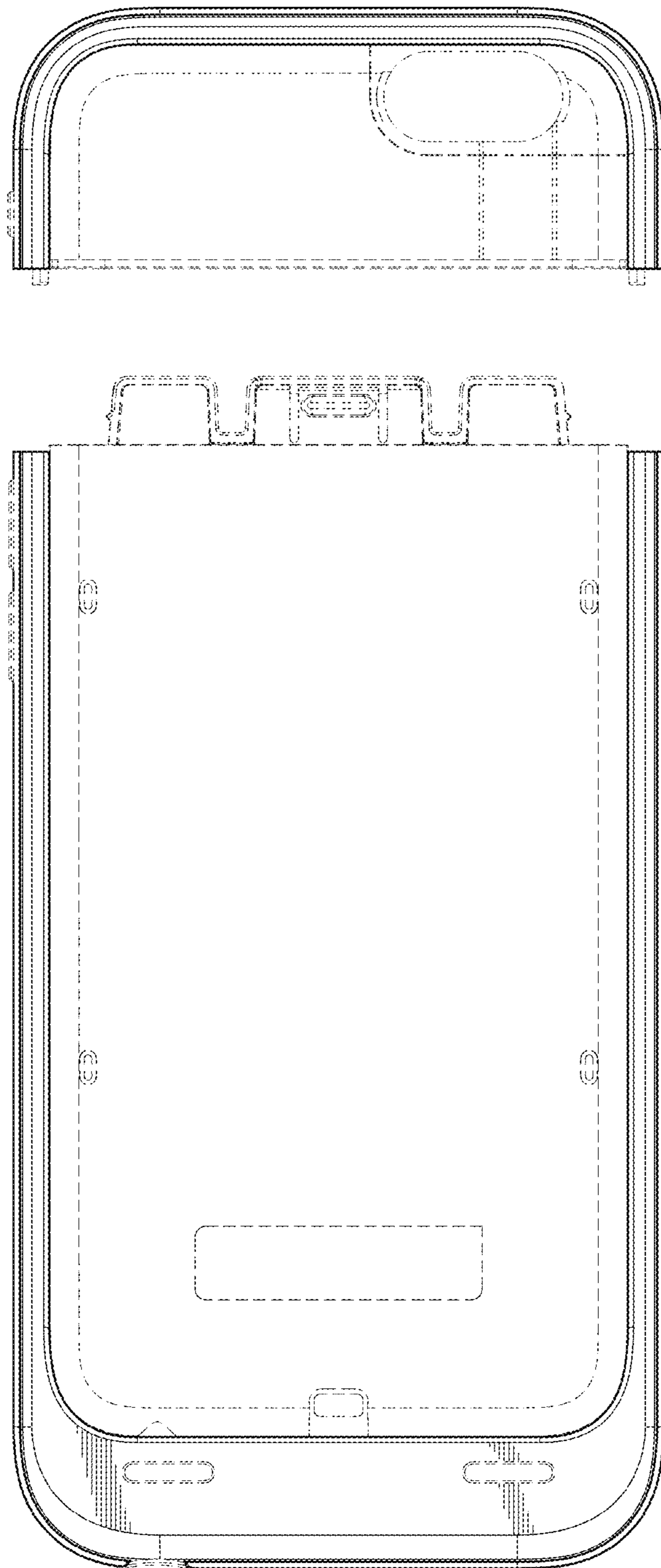


FIG. 11

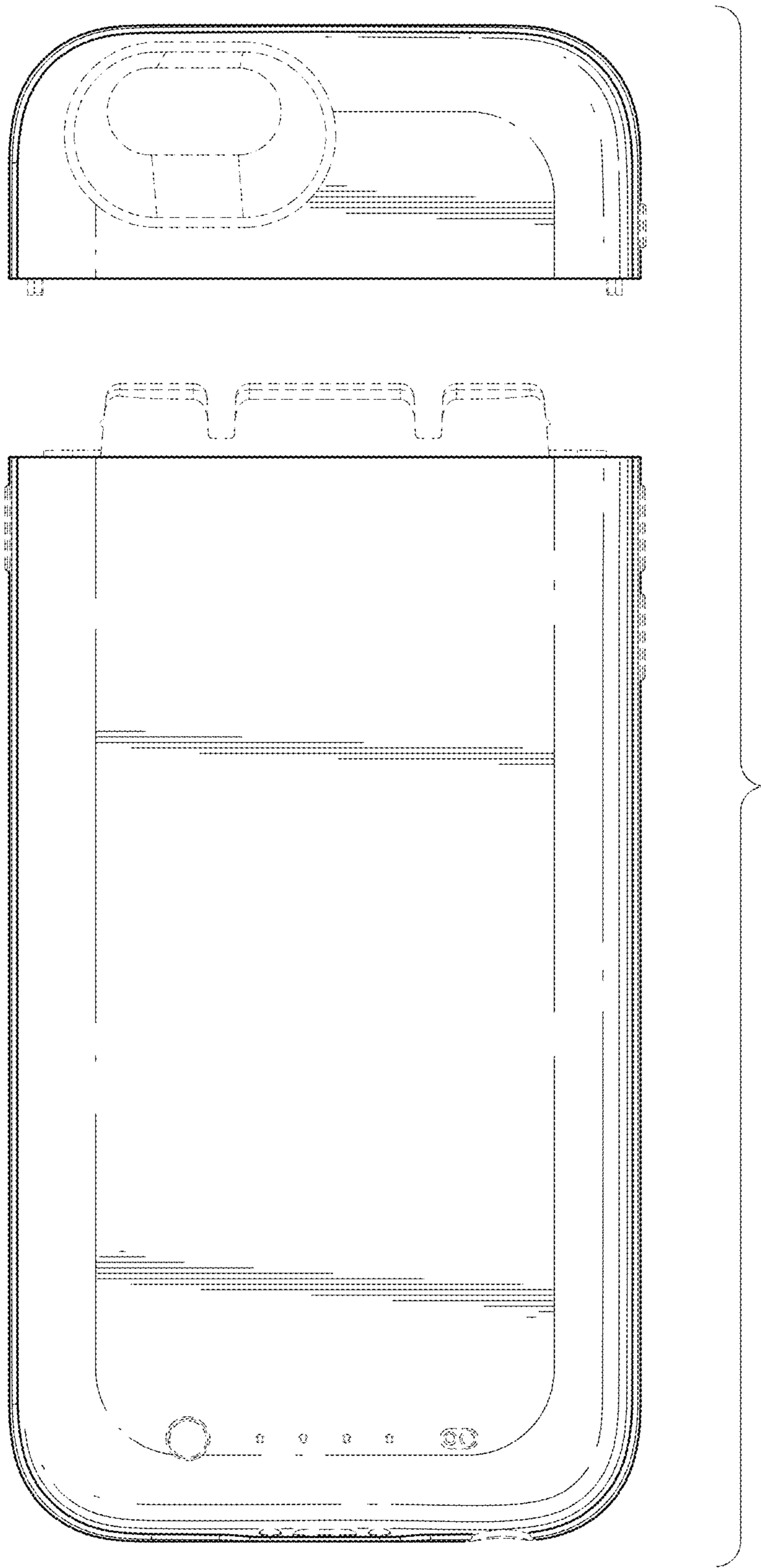


FIG. 12

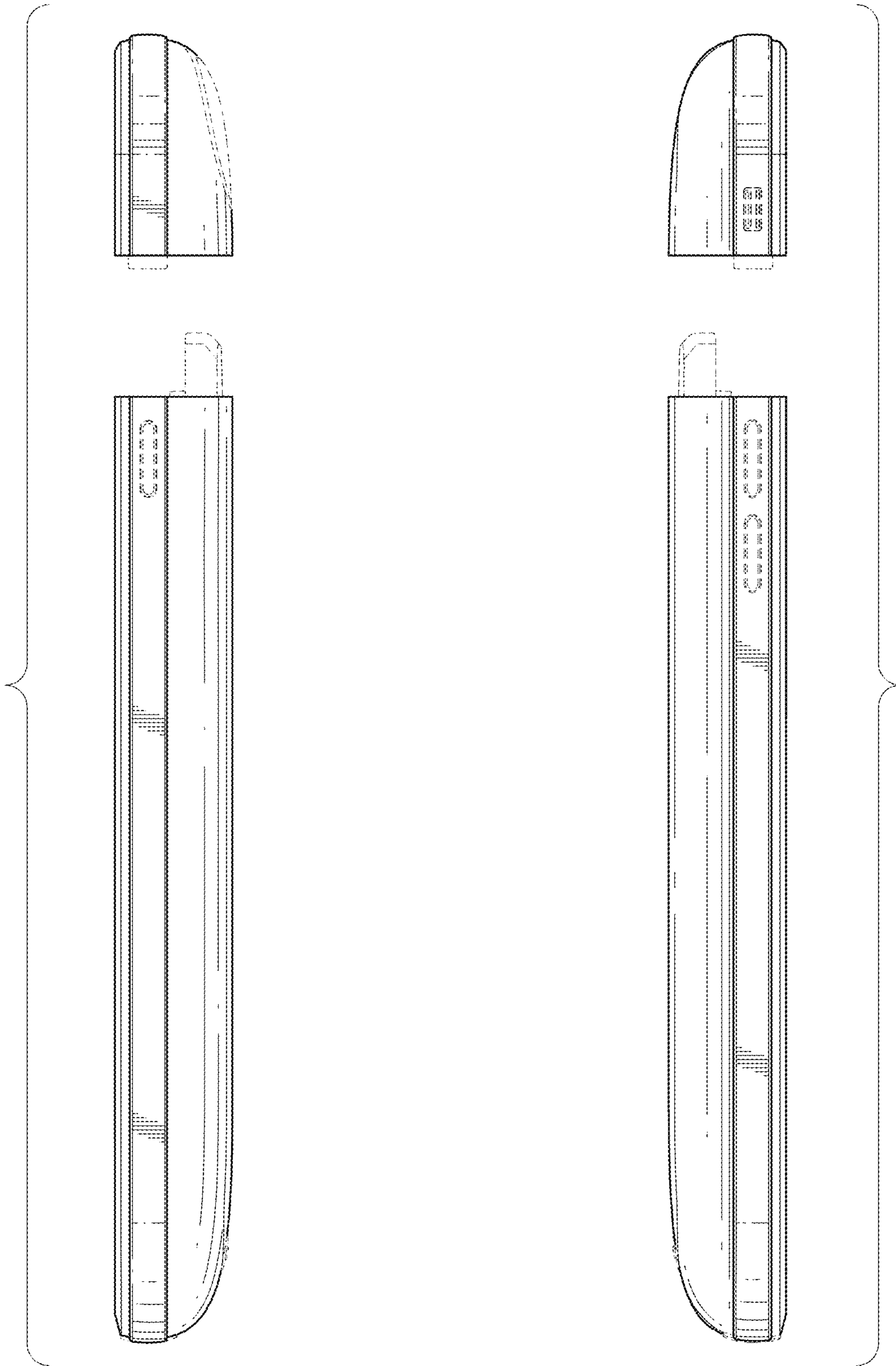


FIG. 13

FIG. 14

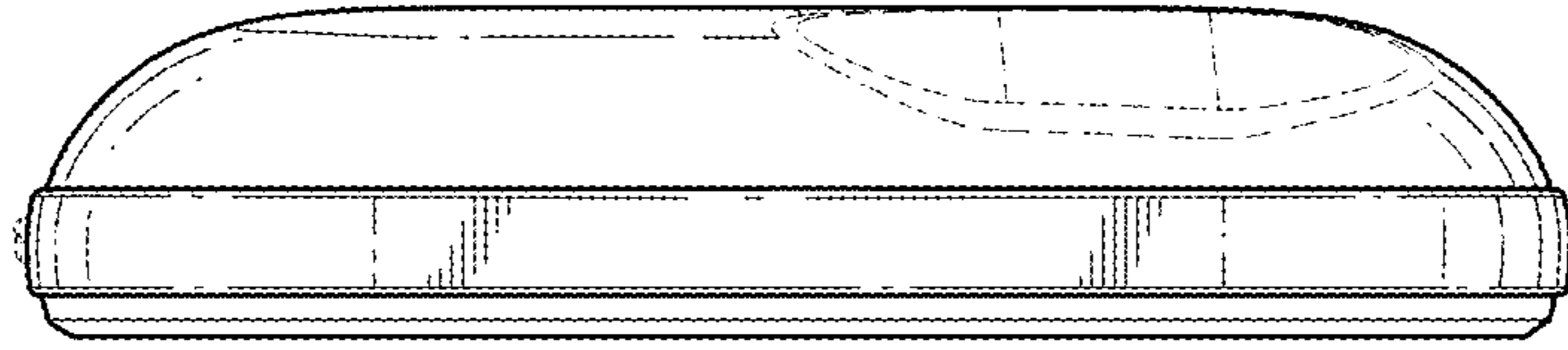


FIG. 15

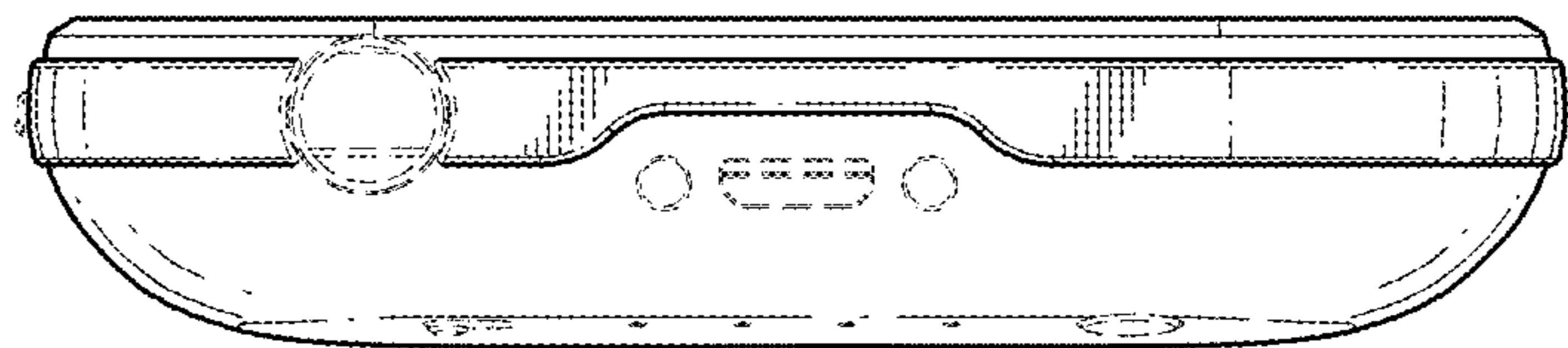


FIG. 16