



US00D797086S

(12) **United States Design Patent** (10) **Patent No.:** **US D797,086 S**
Lu (45) **Date of Patent:** **** *Sep. 12, 2017**

- (54) **BLUETOOTH CONNECTOR**
- (71) Applicant: **Aukey E-Business Co., Ltd.**, Shenzhen (CN)
- (72) Inventor: **Haichuan Lu**, Shenzhen (CN)
- (73) Assignee: **Aukey E-Business Co., Ltd.**, Shenzhen (CN)
- (*) Notice: This patent is subject to a terminal disclaimer.
- (**) Term: **14 Years**
- (21) Appl. No.: **29/525,743**
- (22) Filed: **May 1, 2015**
- (51) **LOC (10) Cl.** **14-03**
- (52) **U.S. Cl.**
USPC **D14/240**
- (58) **Field of Classification Search**
USPC D14/240, 242, 357, 358, 140-140.9, 155, D14/137, 139, 243, 433
CPC H04L 12/00; H03K 17/00; H04W 88/00; H04W 88/005; H04W 88/02; H04W 88/08; H04W 88/085; H04W 88/10; H04W 88/12; H04W 88/14; H04B 1/38
See application file for complete search history.

D704,177 S *	5/2014	Chun	D14/240
D704,178 S *	5/2014	Kwak	D14/240
D725,088 S *	3/2015	Kwak	D14/240
D730,349 S *	5/2015	Burmeister-Brown	D14/240
D751,538 S *	3/2016	Koehler	D14/240
2013/0028457 A1 *	1/2013	Yeh	H04R 1/10 381/334

FOREIGN PATENT DOCUMENTS

CN	303266240	*	7/2015
CN	303670218	*	5/2016

OTHER PUBLICATIONS

Philips USA. <URL: http://www.usa.philips.com/c-p/AEA2000_37/bluetooth-hi-fi-adapter>. Visited Sep. 13, 2016. Bluetooth® Hi-Fi adapter.*

* cited by examiner

Primary Examiner — Bridget L Eland
Assistant Examiner — Lauren McVey
(74) *Attorney, Agent, or Firm* — Schmeiser, Olsen & Watts LLP

(57) **CLAIM**

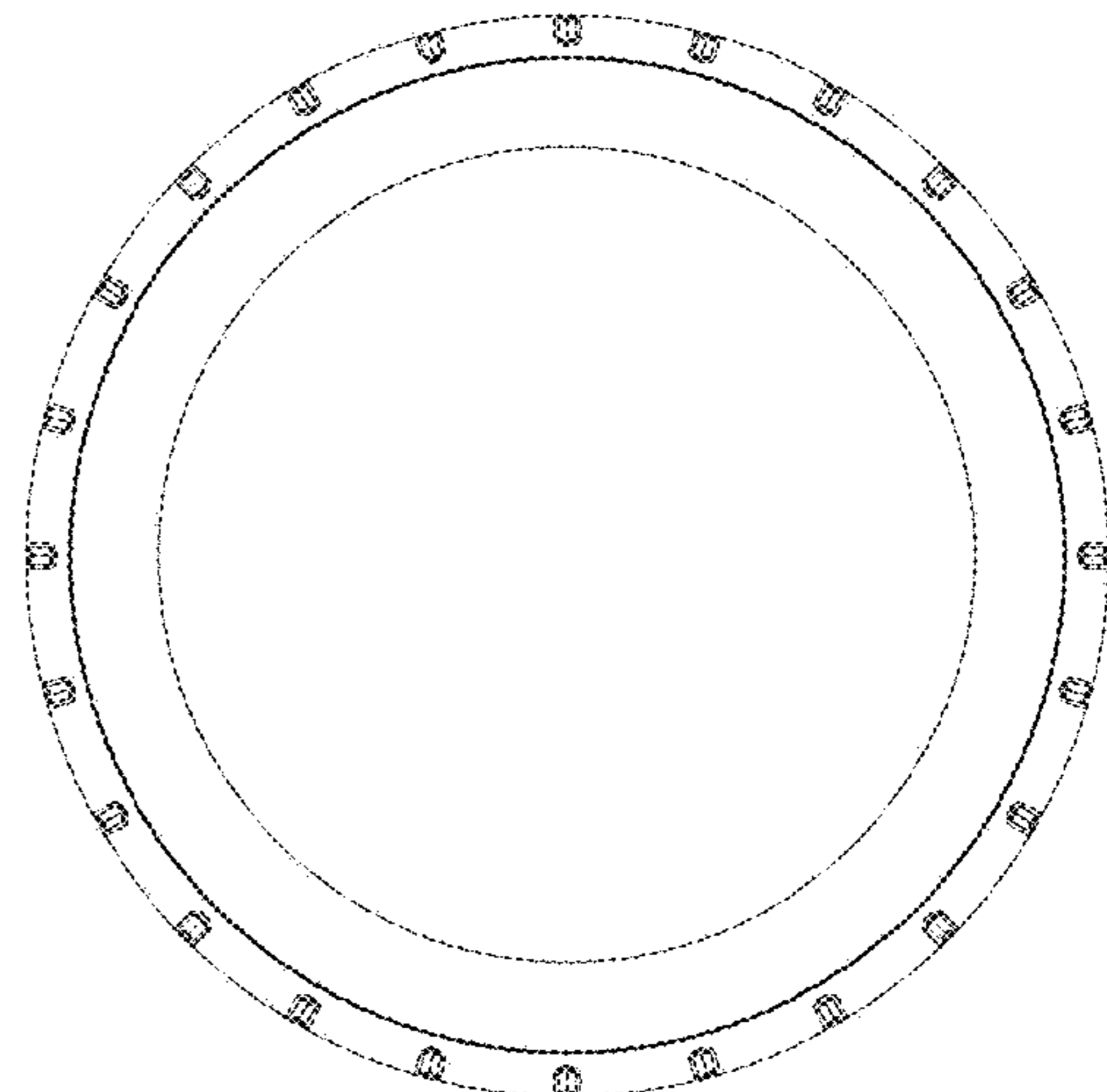
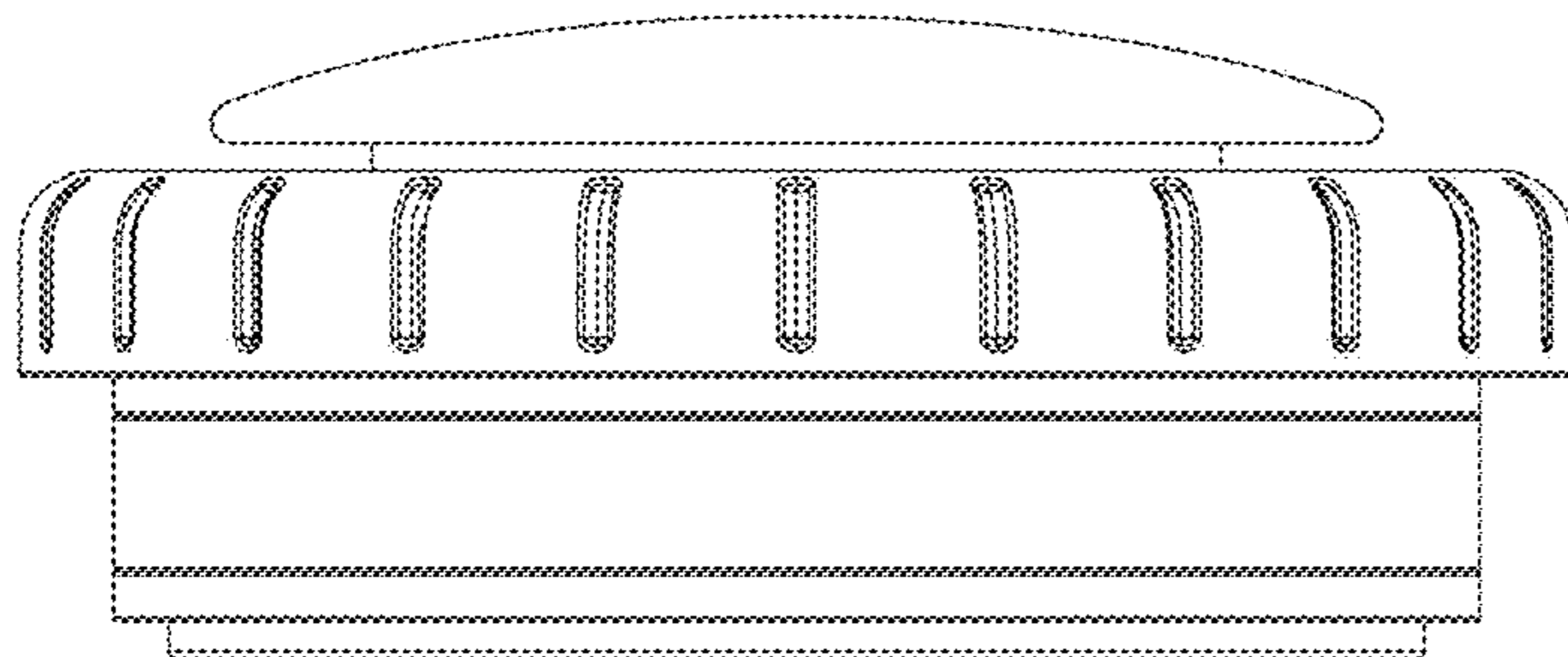
The ornamental design for bluetooth connector, as shown and described.

DESCRIPTION

FIG. 1 is a Front elevation view of bluetooth connector showing my new design;
FIG. 2 is a rear elevation view thereof;
FIG. 3 is a bottom plan view thereof;
FIG. 4 is a top plan view thereof;
FIG. 5 is a left side elevation view thereof;
FIG. 6 is a right side elevation view thereof; and,
FIG. 7 is a perspective view thereof.

1 Claim, 7 Drawing Sheets

- (56) **References Cited**
U.S. PATENT DOCUMENTS
D304,944 S * 12/1989 Behringer D14/188
D418,039 S * 12/1999 Correia D14/240
7,128,213 B2 * 10/2006 Tung A61J 7/04
206/538
D602,915 S * 10/2009 Song D14/218
D645,818 S * 9/2011 Guccione D13/108
D658,640 S * 5/2012 Ivaskevicius D14/242
D687,009 S * 7/2013 Song D14/155



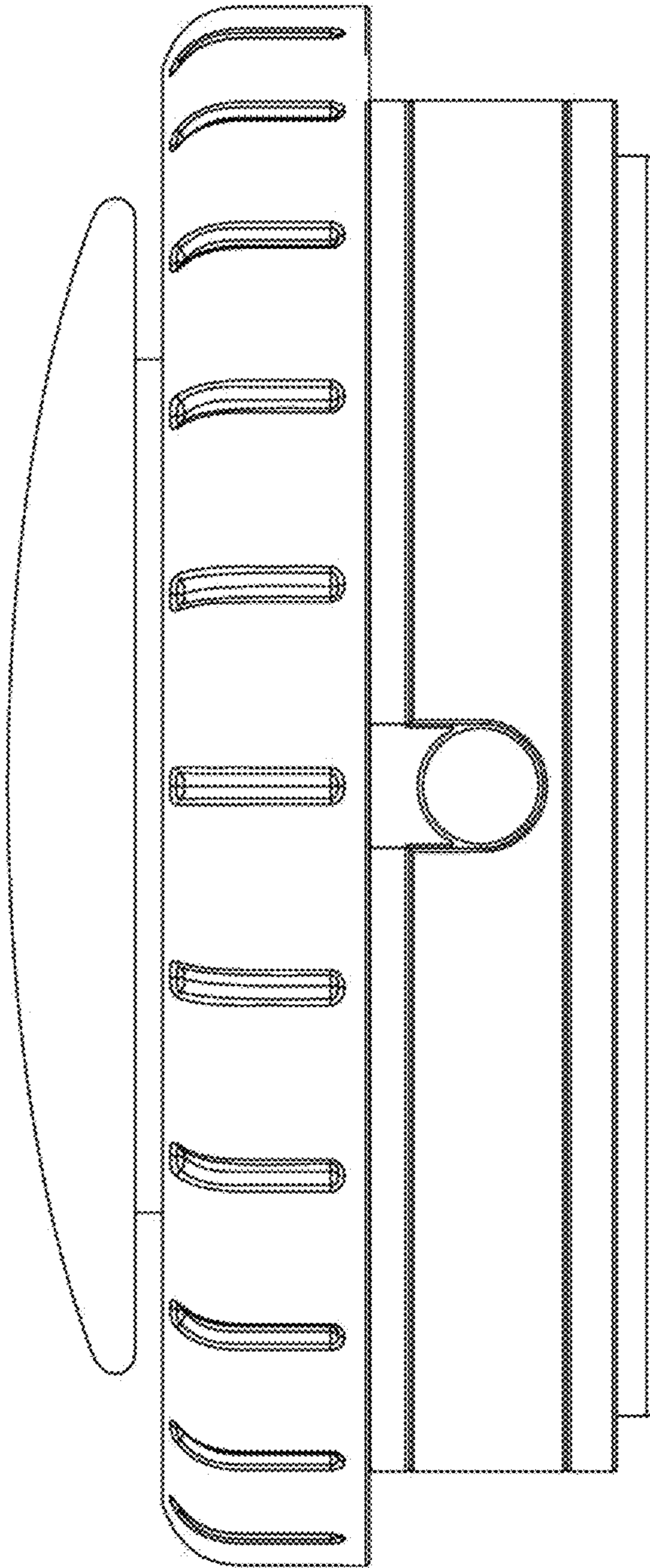


Figure 1

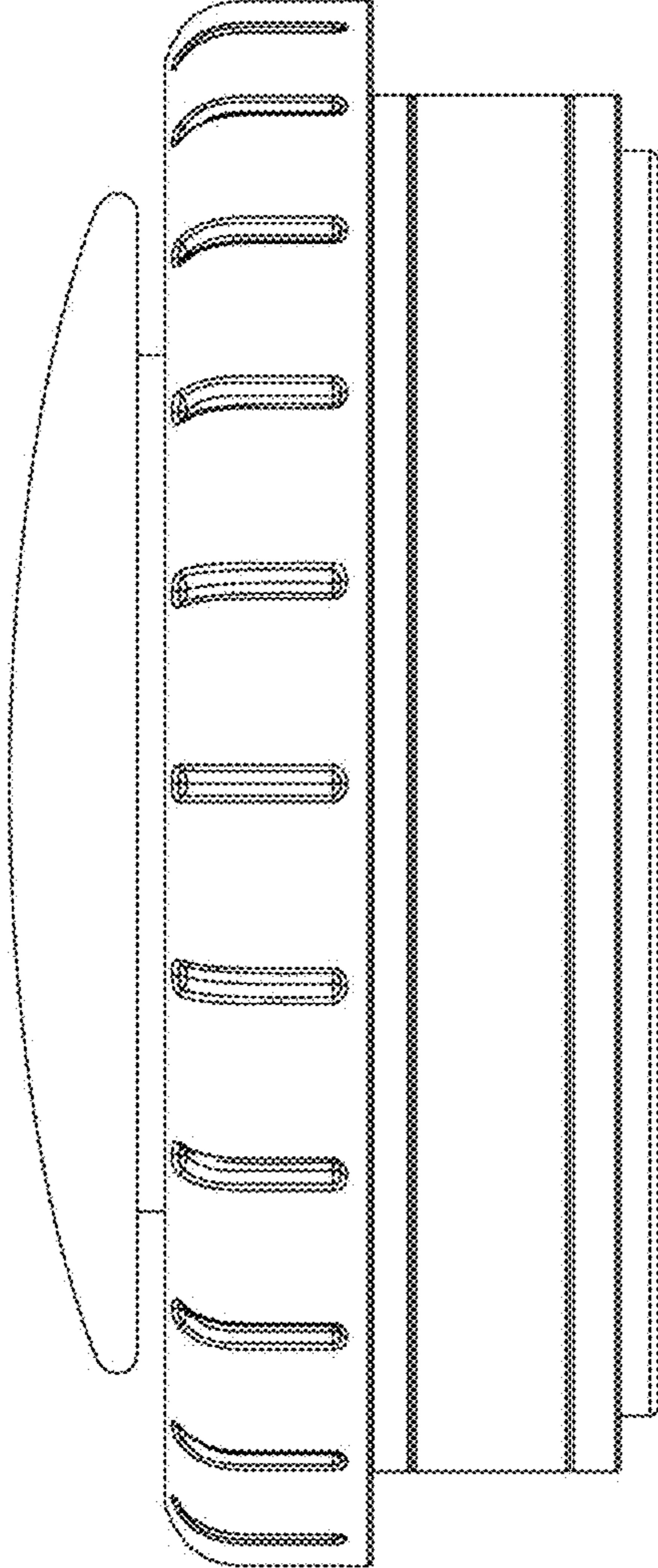


Figure 2

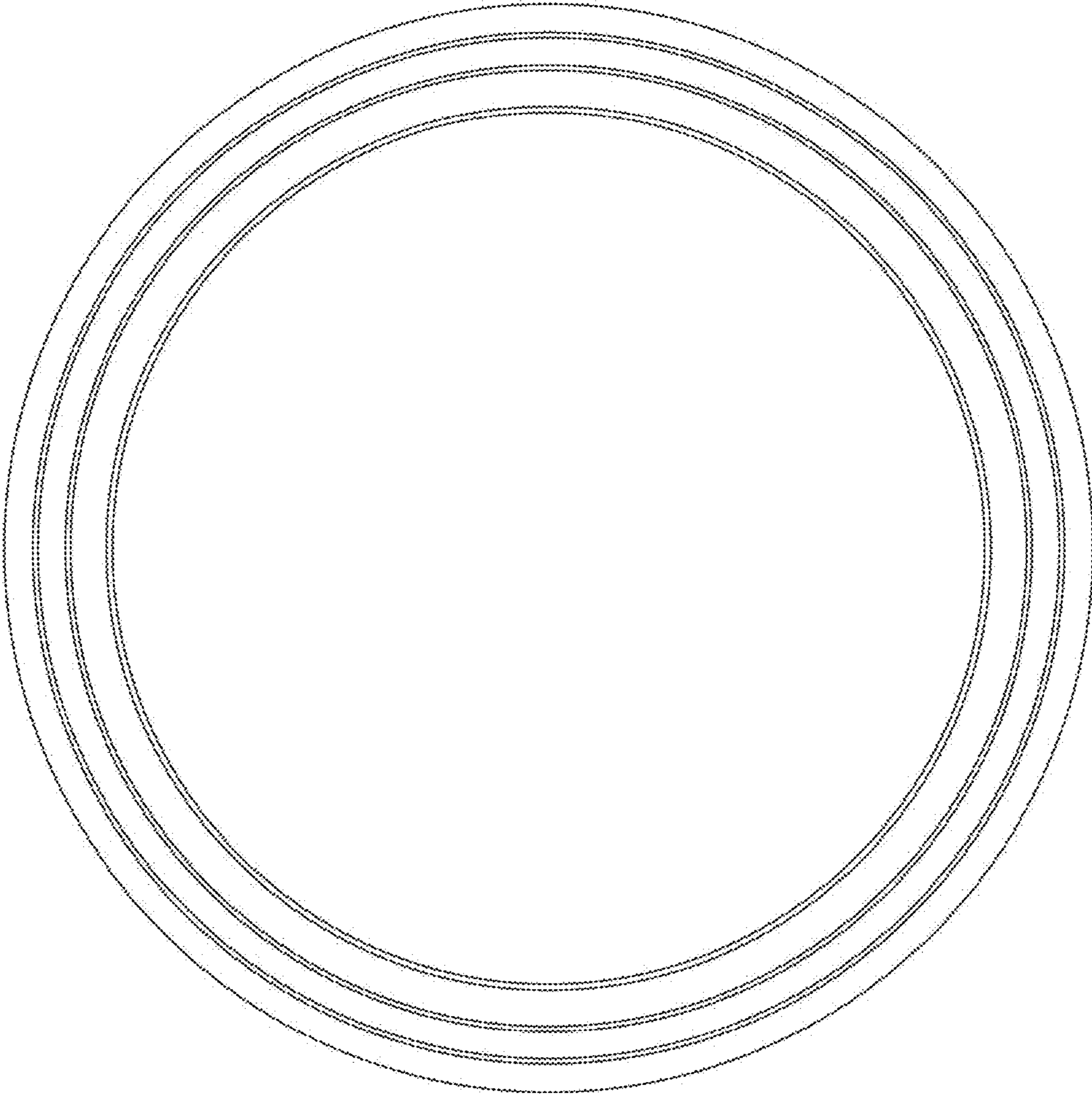


Figure 3

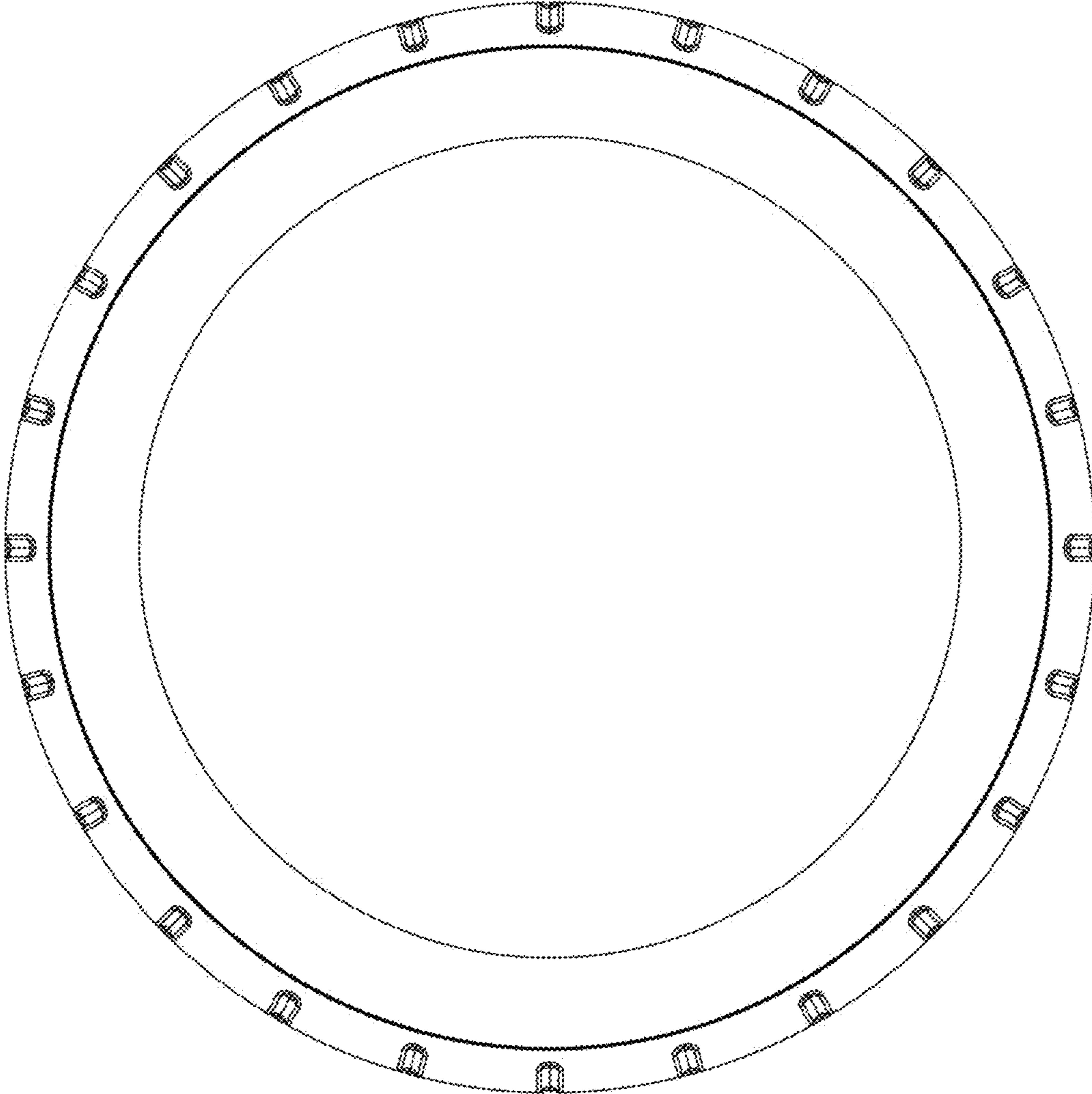


Figure 4

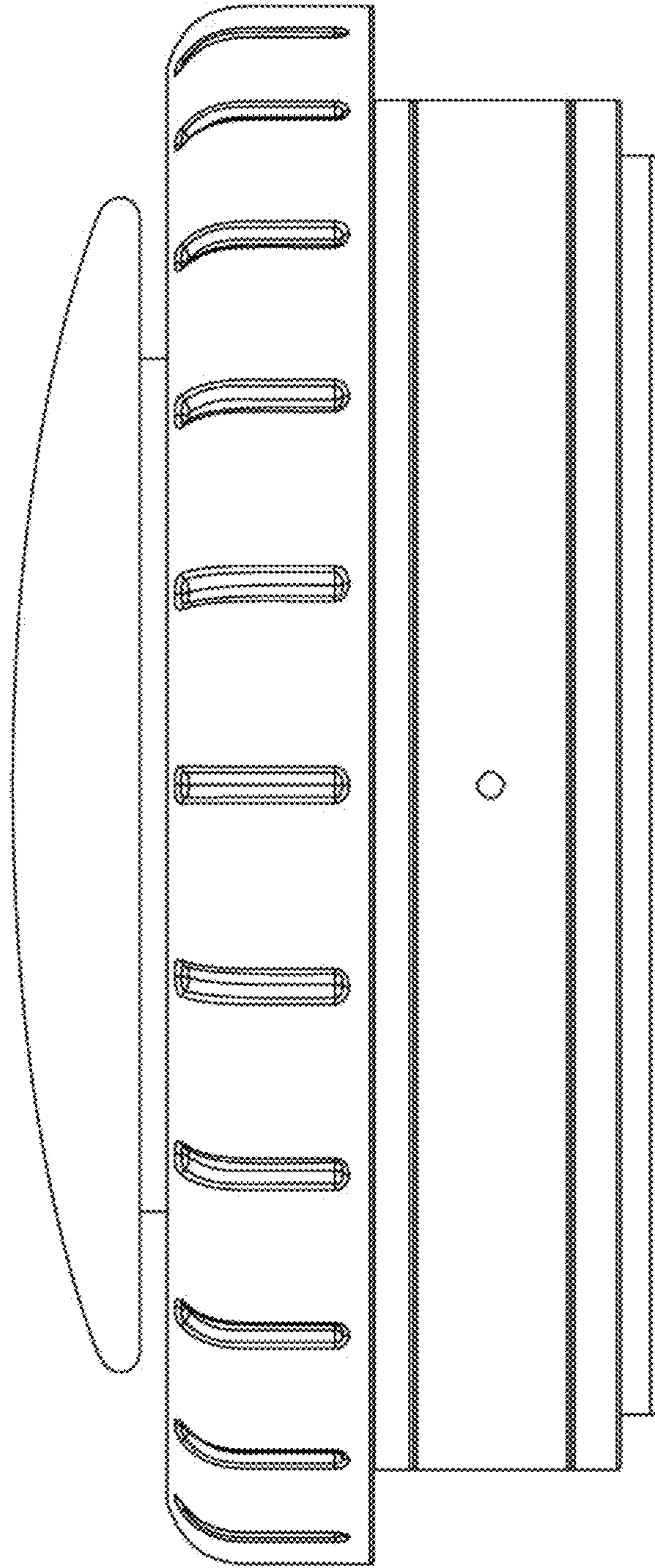


Figure 5

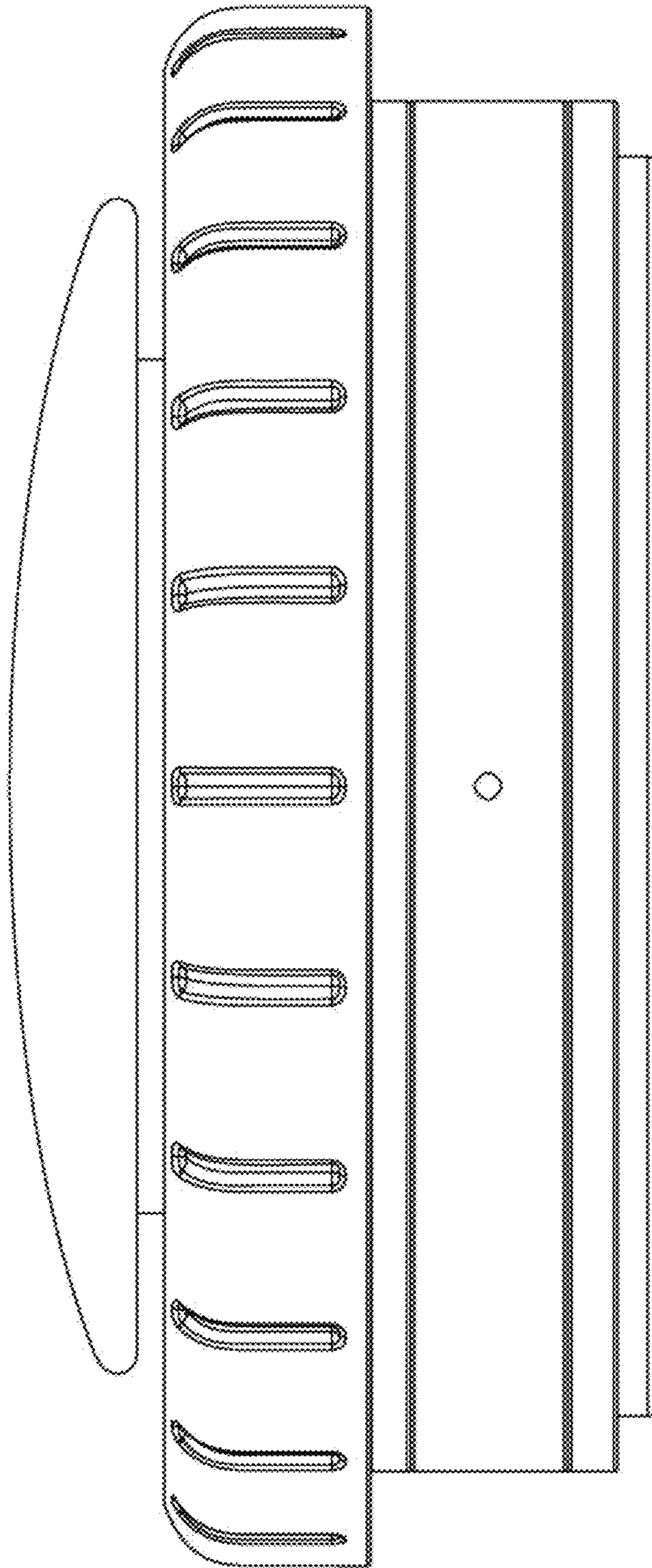


Figure 6

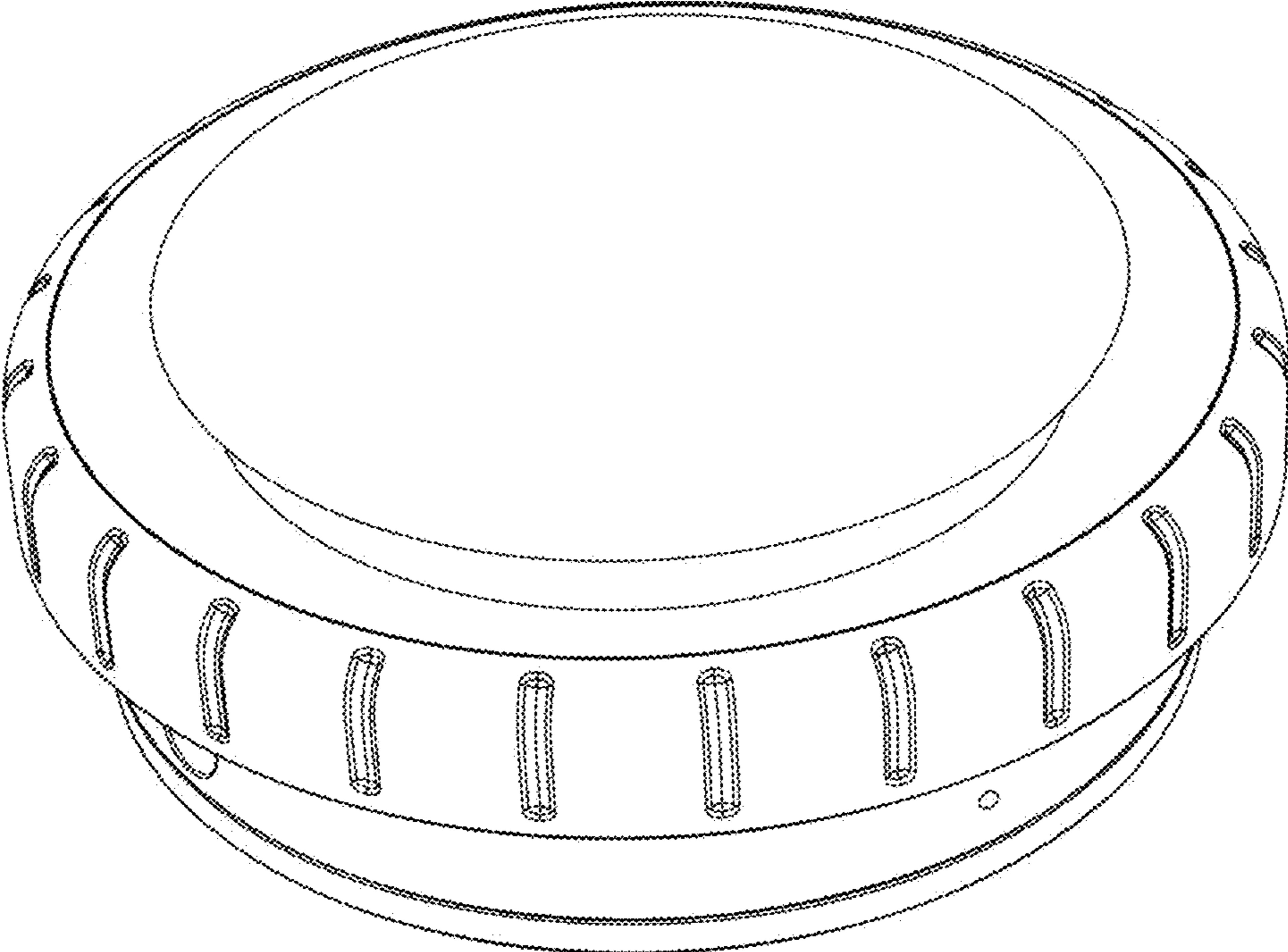


Figure 7