



US00D797082S

(12) **United States Design Patent**  
**Chen et al.**

(10) **Patent No.:** **US D797,082 S**  
(45) **Date of Patent:** **\*\* Sep. 12, 2017**

(54) **ANTENNA**  
(71) Applicant: **Cheng Uei Precision Industry Co., Ltd., New Taipei (TW)**  
(72) Inventors: **Guan Yi Chen, New Taipei (TW); Wen Bing Hsu, New Taipei (TW); Kuo Wei Chang, New Taipei (TW)**  
(73) Assignee: **Cheng Uei Precision Industry Co., Ltd., New Taipei (TW)**

D636,764 S \* 4/2011 Mi ..... D14/230  
D649,534 S \* 11/2011 Mi ..... D14/230  
8,206,188 B1 \* 6/2012 Zhang ..... H01R 12/57  
439/862  
D678,254 S \* 3/2013 Ennabli ..... D14/230  
D678,255 S \* 3/2013 Ko ..... D14/230  
8,657,636 B2 \* 2/2014 Wu ..... H01R 13/113  
439/862  
D707,665 S \* 6/2014 Chu ..... D14/230  
8,974,257 B1 \* 3/2015 Xie ..... H01R 12/57  
439/862  
9,189,023 B2 \* 11/2015 Lim ..... G06F 1/163

(\*\*) Term: **15 Years**

\* cited by examiner

(21) Appl. No.: **29/568,464**

*Primary Examiner* — Manpreet Matharu

(22) Filed: **Jun. 17, 2016**

*Assistant Examiner* — Mojtaba Tehrani

(51) **LOC (10) Cl.** ..... **14-03**

(74) *Attorney, Agent, or Firm* — Lin & Associates  
Intellectual Property, Inc.

(52) **U.S. Cl.**  
USPC ..... **D14/230**

(58) **Field of Classification Search**  
USPC ..... D14/138, 230, 231, 232, 233, 234, 235,  
D14/236, 237, 238, 238.1, 299, 358;  
D13/175, 182  
CPC ..... G01R 29/10; G01S 2013/0245; G01S  
2013/0254; G01S 2013/0263; G01S  
7/4026; G05B 2219/45001; G06K  
19/07773; G06K 19/07775; G06K  
19/07777; G08B 13/2468; G08B 13/2477;  
H01Q 1/088  
See application file for complete search history.

(57) **CLAIM**

The ornamental design for an antenna, as shown and described.

**DESCRIPTION**

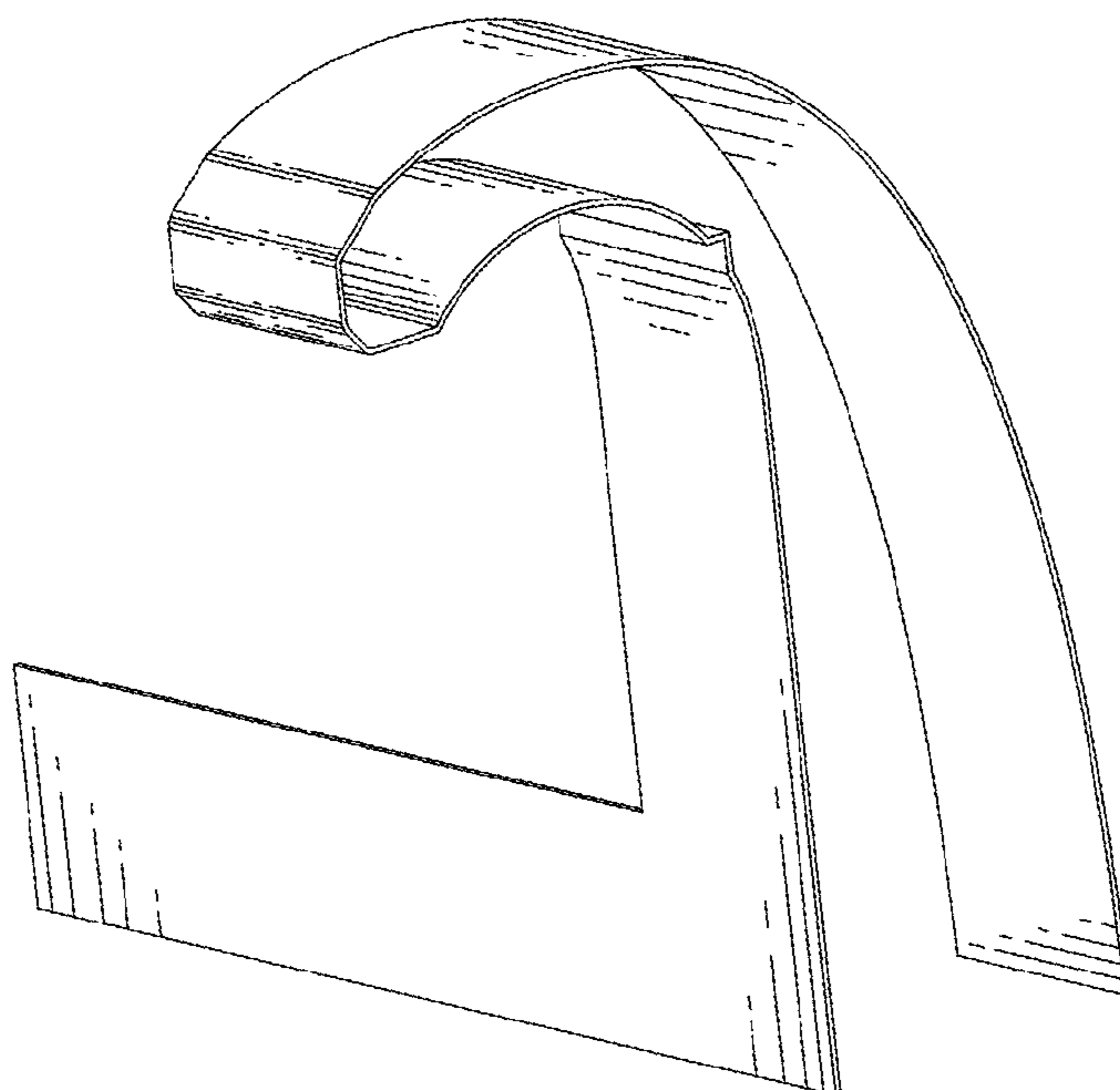
FIG. 1 is a perspective view of an antenna showing our new design;  
FIG. 2 is a front elevational view thereof;  
FIG. 3 is a rear elevational view thereof;  
FIG. 4 is a left side elevational view thereof;  
FIG. 5 is a right side elevational view thereof;  
FIG. 6 is a top plan view thereof; and,  
FIG. 7 is a bottom plan view thereof.

(56) **References Cited**

**U.S. PATENT DOCUMENTS**

D484,857 S \* 1/2004 Hsu ..... D13/182  
D606,055 S \* 12/2009 Wu ..... D14/230

**1 Claim, 7 Drawing Sheets**



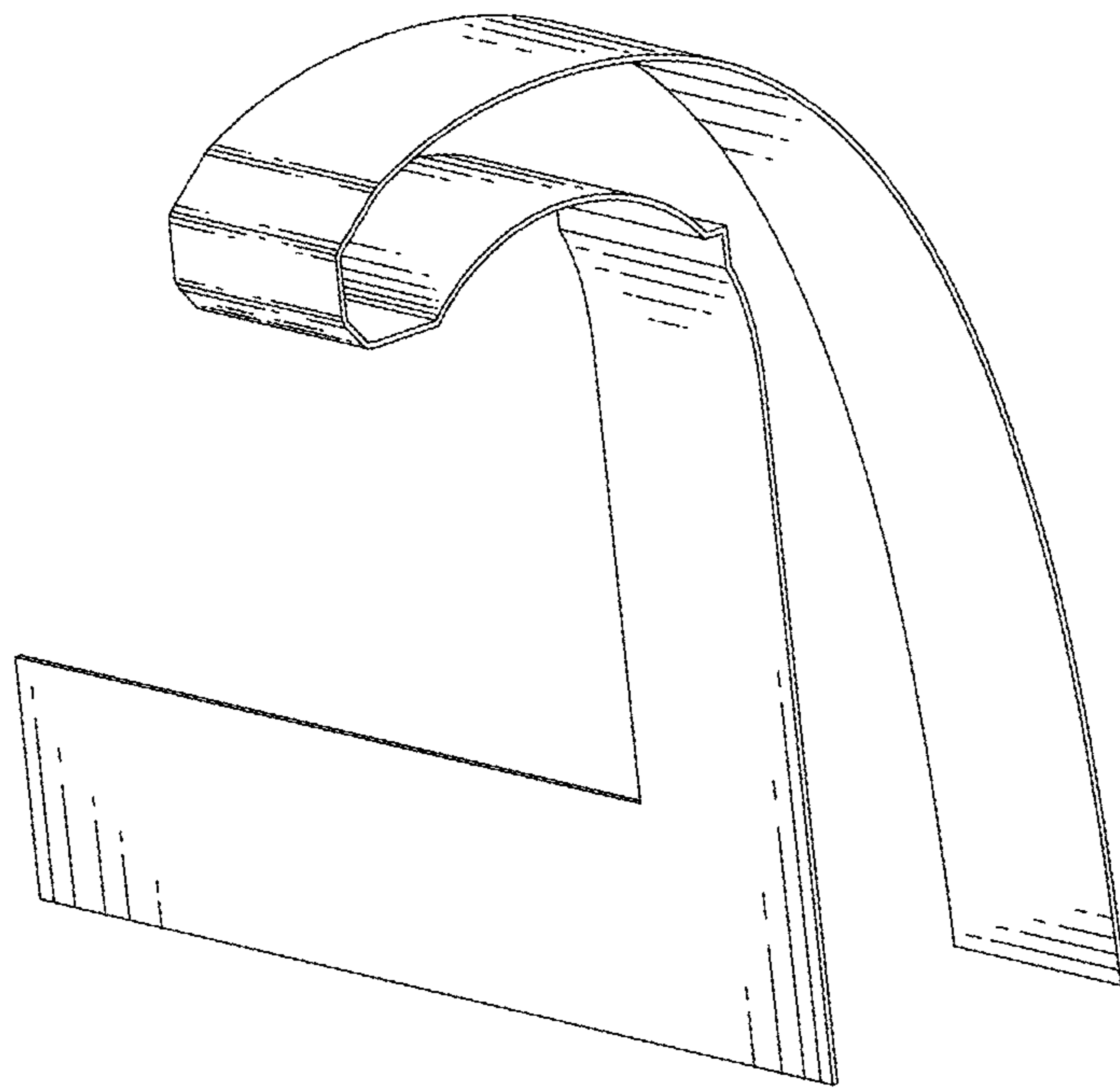


FIG. 1



FIG. 2

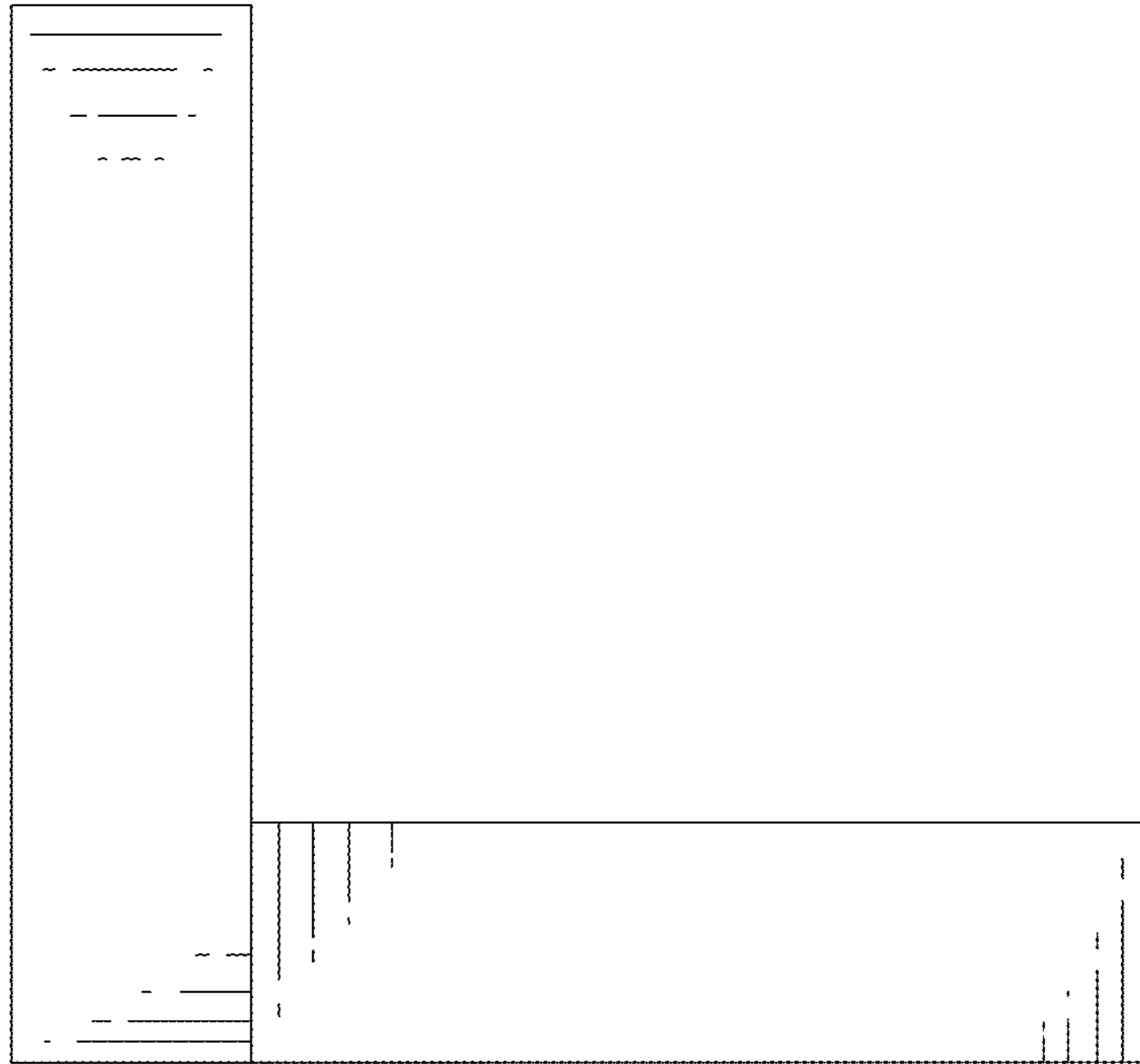


FIG. 3

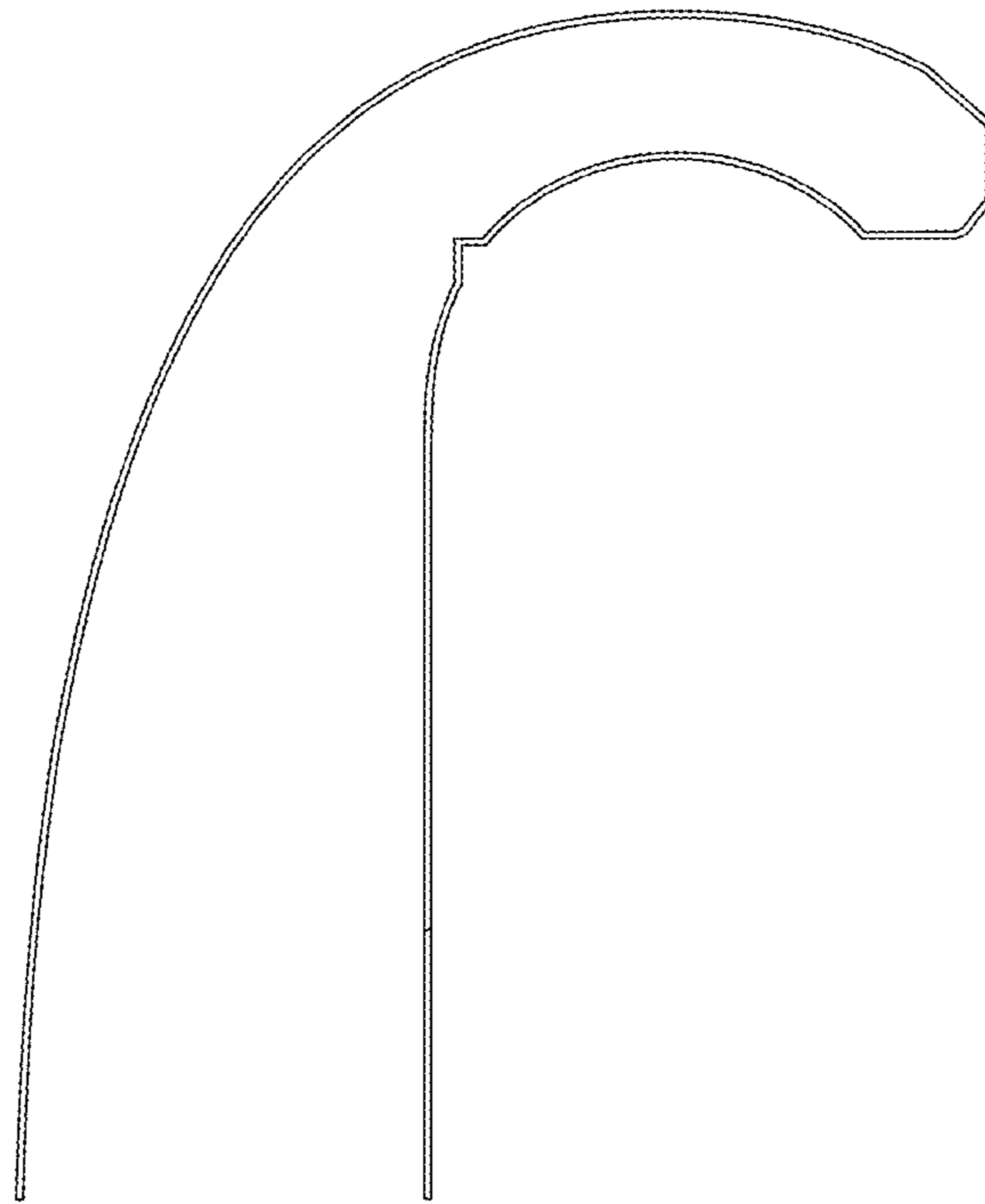


FIG. 4

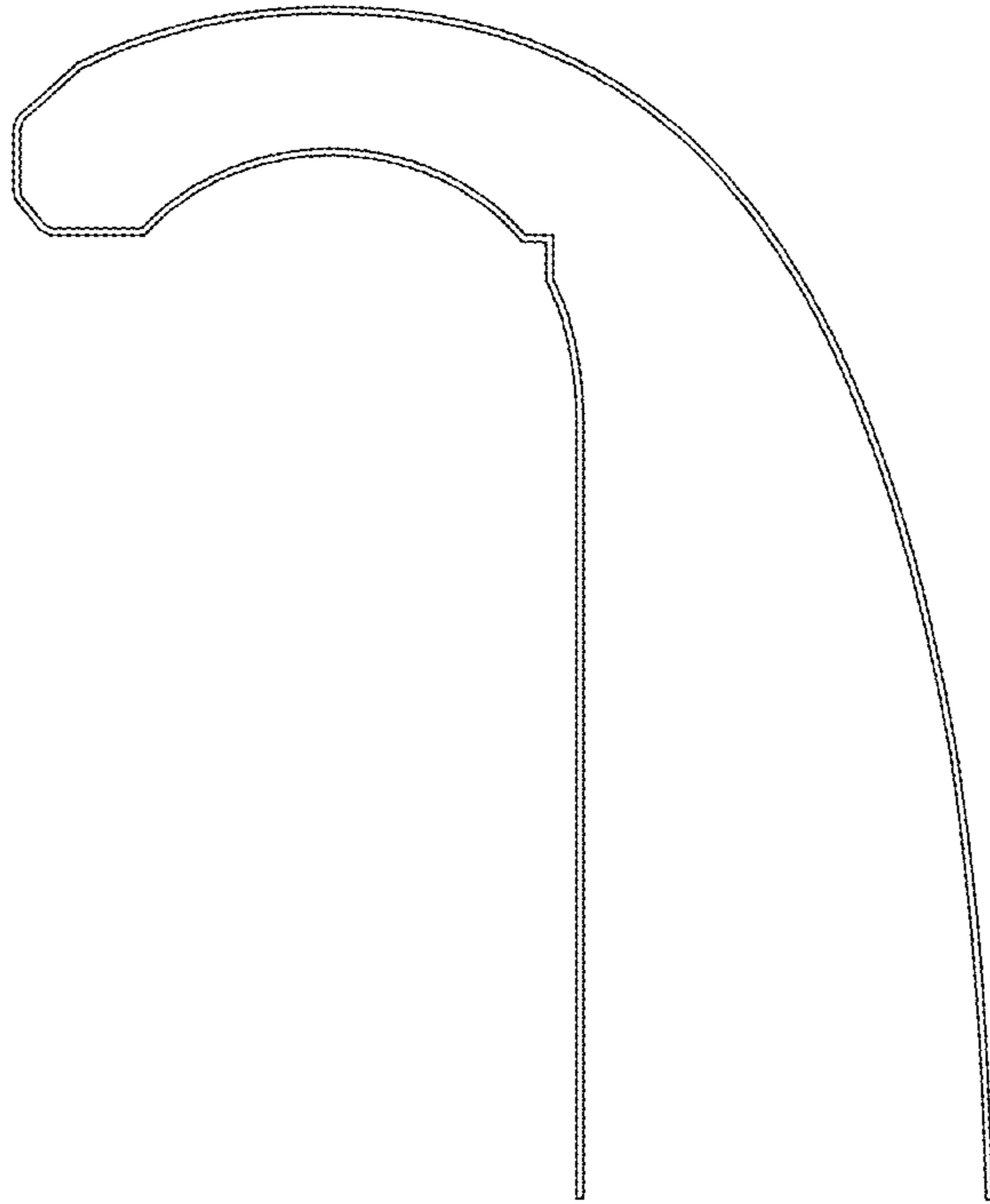


FIG. 5

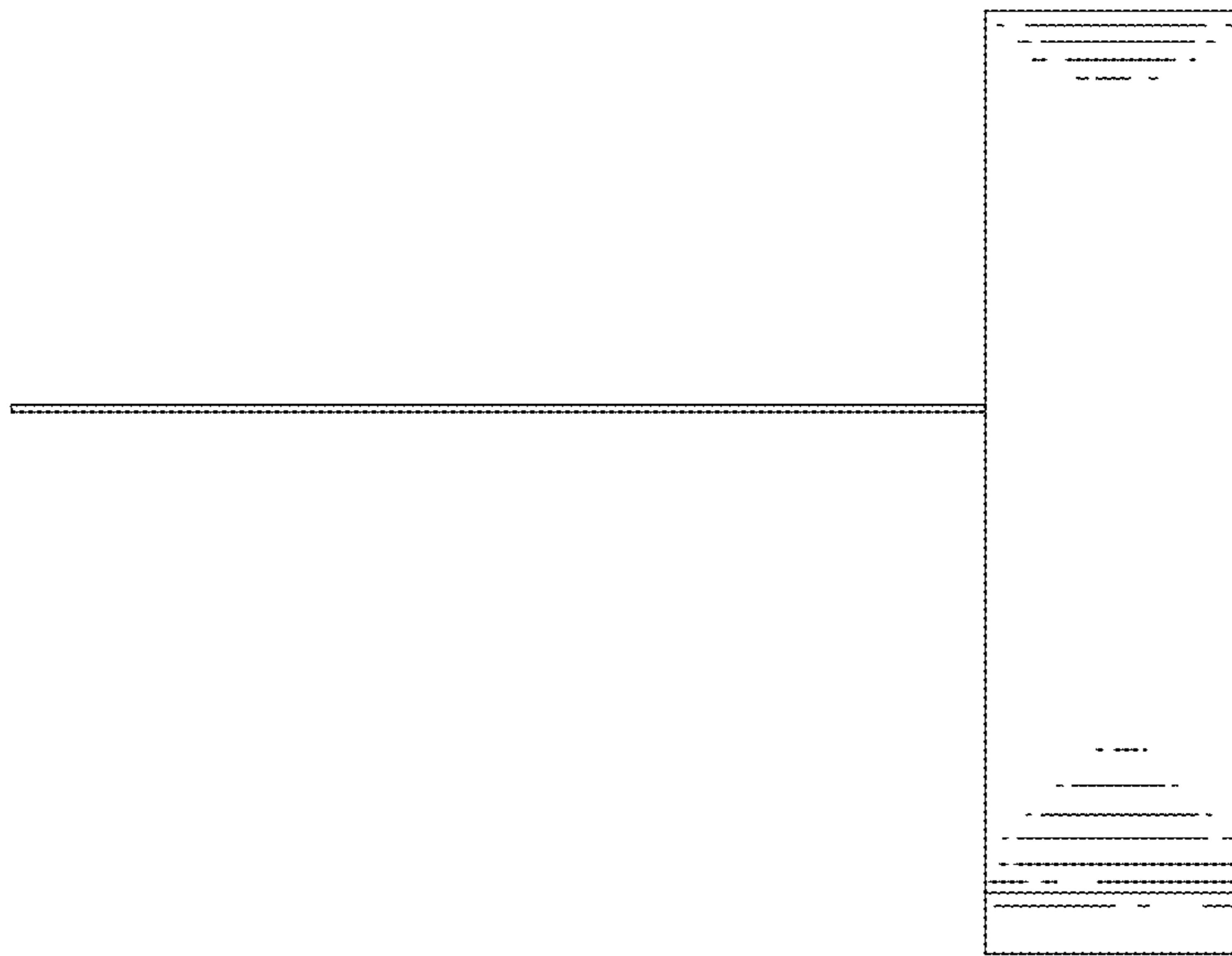


FIG. 6



FIG. 7