



US00D797080S

(12) **United States Design Patent** (10) **Patent No.:** **US D797,080 S**  
**Podduturi** (45) **Date of Patent:** **\*\* Sep. 12, 2017**

(54) **AUTOMOTIVE DUAL BAND WI-FI ANTENNA**

(71) Applicant: **World Products, Inc.**, Sonoma, CA (US)

(72) Inventor: **Bharadvaj R. Podduturi**, American Canyon, CA (US)

(73) Assignee: **World Products, Inc.**, Sonoma, CA (US)

(\*\*) Term: **14 Years**

(21) Appl. No.: **29/510,405**

(22) Filed: **Nov. 26, 2014**

(51) **LOC (10) Cl.** ..... **14-03**

(52) **U.S. Cl.**  
USPC ..... **D14/230**

(58) **Field of Classification Search**  
USPC ..... D14/230, 231, 232, 233, 234, 235, 236, D14/237, 238, 138, 299, 358; D12/42, D12/43

CPC ..... H01Q 7/00; H01Q 1/38; H01Q 9/285; H01Q 19/30; H01Q 19/12; H01Q 1/36; H01Q 1/42; H01Q 1/242; H01Q 1/243; H01Q 1/2266; H01Q 13/10

See application file for complete search history.

(56) **References Cited**

**U.S. PATENT DOCUMENTS**

6,476,769 B1 \* 11/2002 Lehtola ..... H01Q 1/243 343/700 MS  
7,705,783 B2 \* 4/2010 Rao ..... H01Q 1/243 343/700 MS  
D695,279 S \* 12/2013 Yang ..... D14/230

D702,216 S 4/2014 Podduturi  
D707,663 S 6/2014 Podduturi  
D747,297 S \* 1/2016 He ..... D14/230  
D750,049 S \* 2/2016 Podduturi ..... D14/230  
D766,221 S \* 9/2016 Zheng ..... D14/230  
D766,883 S \* 9/2016 Yang ..... D14/230  
D767,544 S \* 9/2016 Yang ..... D14/230  
2003/0231139 A1 \* 12/2003 Tai ..... H01Q 1/241 343/795  
2004/0051673 A1 \* 3/2004 Moren ..... H01Q 1/243 343/702  
2004/0183728 A1 \* 9/2004 Zinanti ..... H01Q 1/085 343/700 MS  
2005/0062655 A1 \* 3/2005 Suganthan ..... H01Q 1/243 343/702  
2005/0190108 A1 \* 9/2005 Lin ..... H01Q 9/42 343/702

\* cited by examiner

*Primary Examiner* — Karen S Acker

*Assistant Examiner* — Jerry Hsu

(74) *Attorney, Agent, or Firm* — Patterson Thuent Pedersen, P.A.

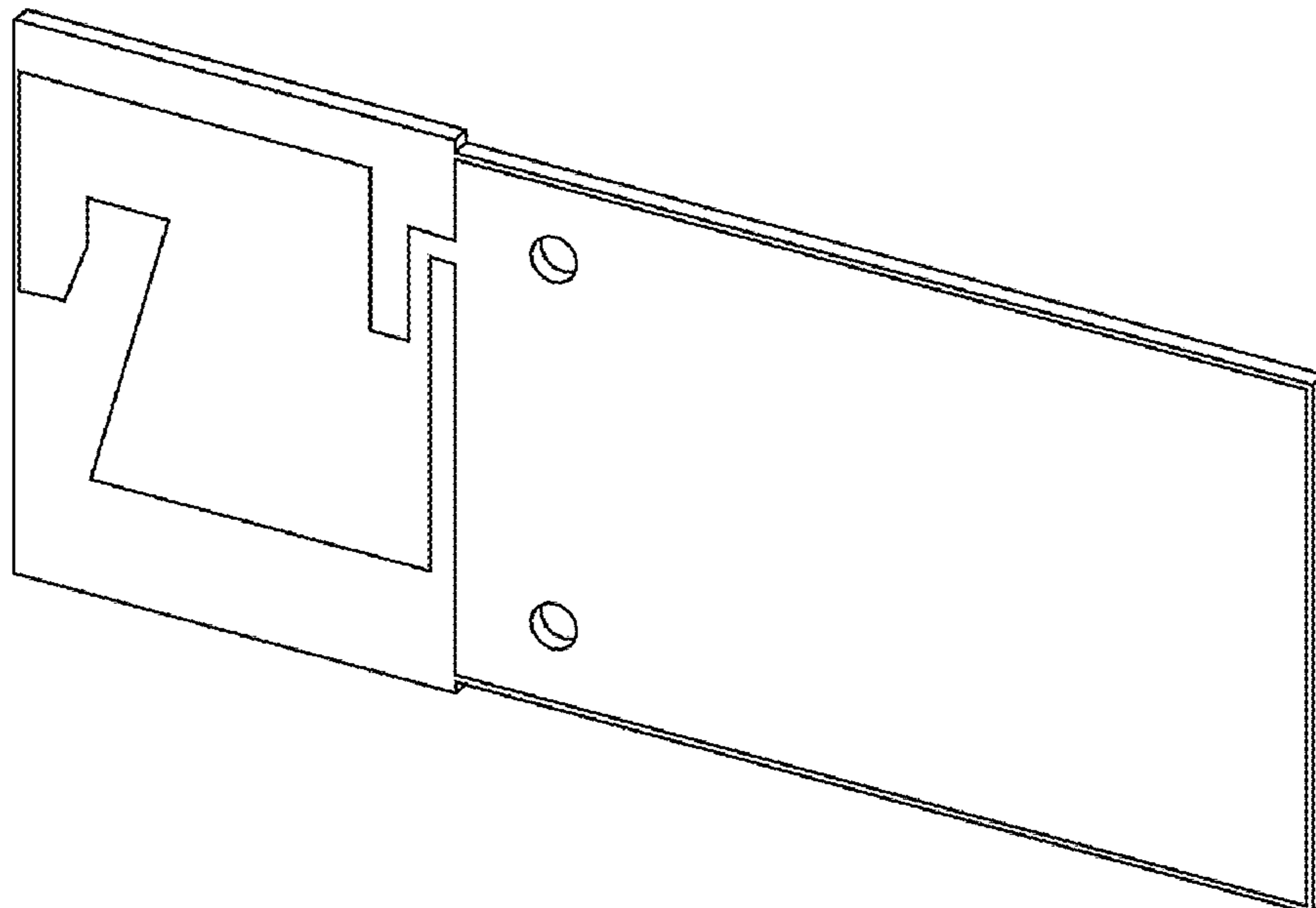
(57) **CLAIM**

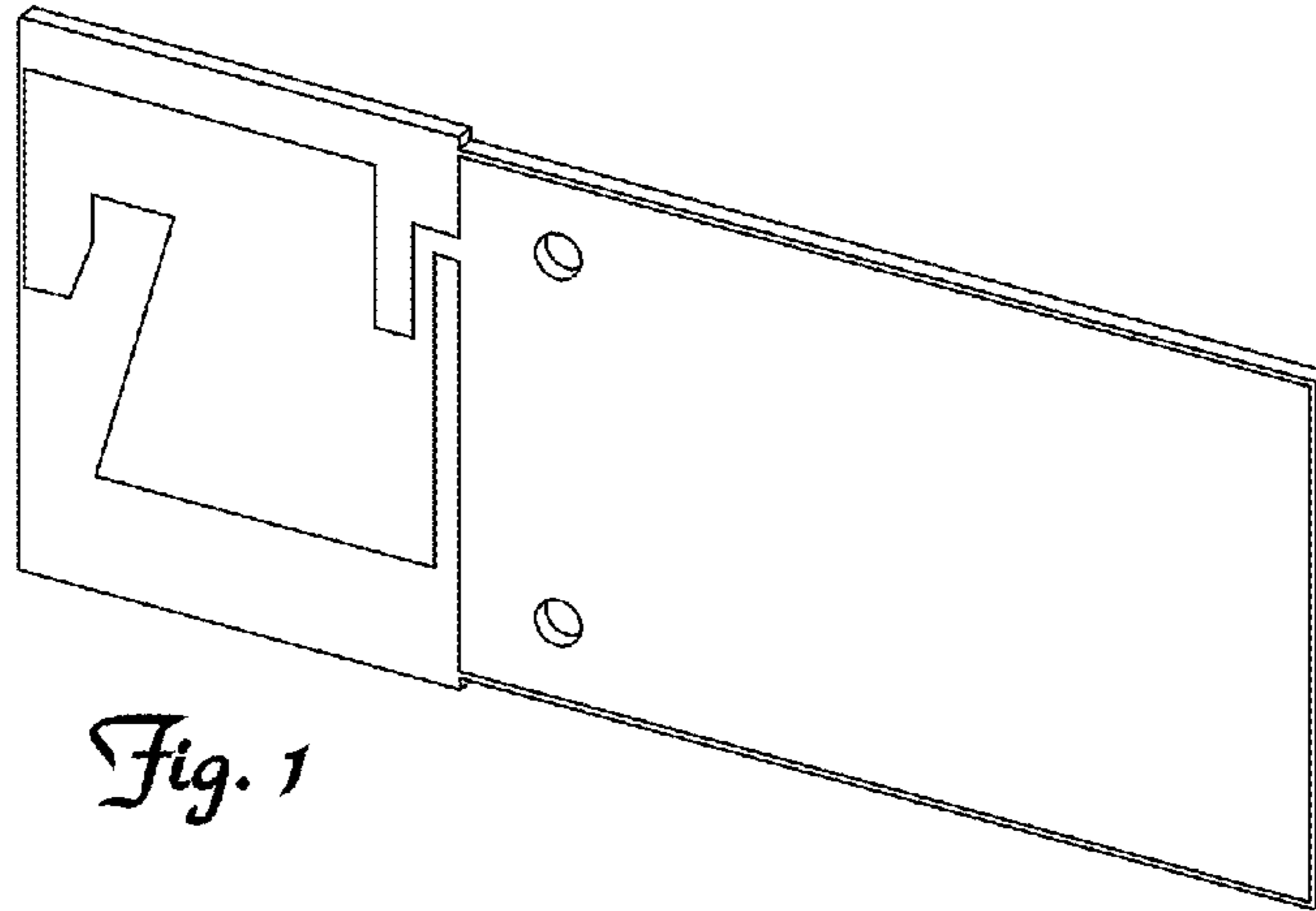
I claim the ornamental design for an automotive dual band WI-FI antenna, as shown.

**DESCRIPTION**

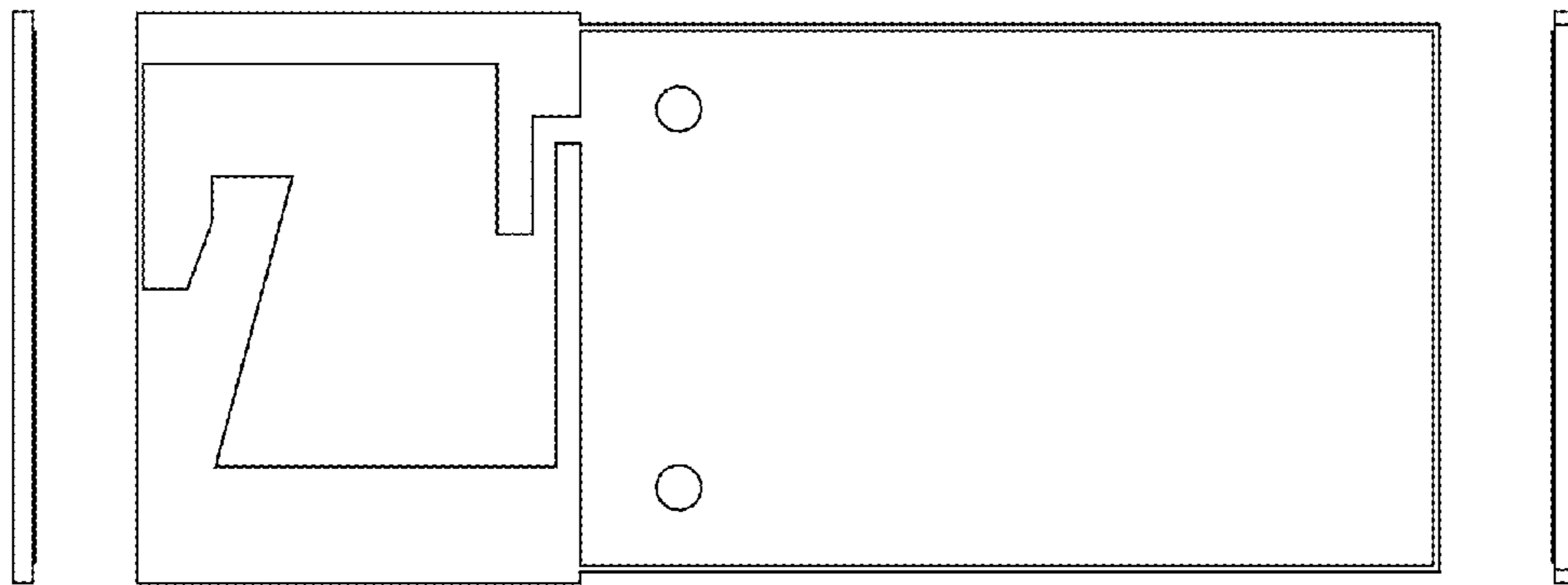
FIG. 1 is a perspective view of an automotive dual band WI-FI antenna, depicting my new design;  
FIG. 2 is a top plan view thereof;  
FIG. 3 is a bottom plan view thereof;  
FIG. 4 is a left side elevation view thereof;  
FIG. 5 is a right side elevation view thereof;  
FIG. 6 is a front elevation view thereof; and,  
FIG. 7 is a rear elevation view thereof.

**1 Claim, 1 Drawing Sheet**





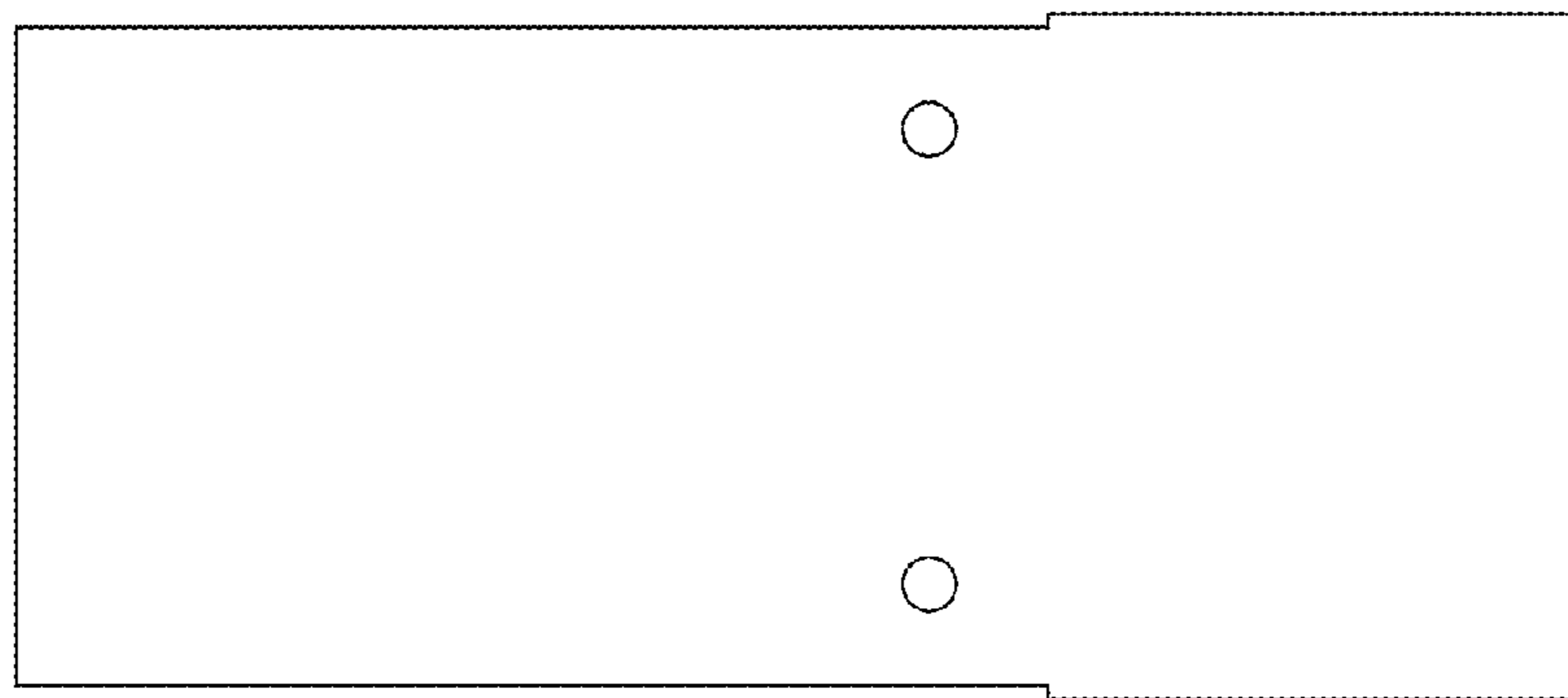
*Fig. 1*



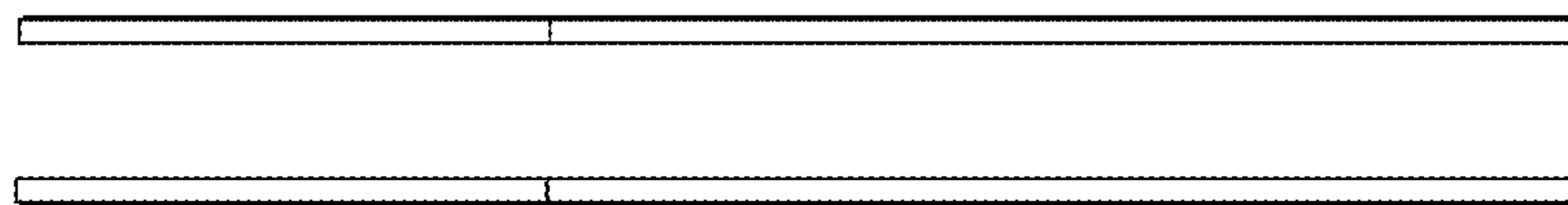
*Fig. 4*

*Fig. 2*

*Fig. 5*



*Fig. 3*



*Fig. 6*

*Fig. 7*