



US00D797079S

(12) **United States Design Patent**
Houle

(10) **Patent No.:** **US D797,079 S**

(45) **Date of Patent:** **** Sep. 12, 2017**

(54) **WIRELESS EARBUD**

(71) Applicant: **Phazon Inc.**, Shaker Heights, OH (US)

(72) Inventor: **Christian Houle**, Montreal (CA)

(**) Term: **15 Years**

(21) Appl. No.: **29/542,981**

(22) Filed: **Oct. 20, 2015**

(51) **LOC (10) Cl.** **14-01**

(52) **U.S. Cl.**
USPC **D14/223**

(58) **Field of Classification Search**
USPC D14/223, 205; D24/174, 106; 128/865,
128/866, 864; 181/129, 130, 135;
379/430, 431; 381/380, 381, 328, 322,
381/324, 330, 318, 370, 374; 455/90.3,
455/575.1
CPC H04R 25/00; H04R 1/10; H04R 25/02;
H04R 1/1016; H04R 1/105; H04R 5/033;
H04R 5/0335

See application file for complete search history.

(56) **References Cited**

U.S. PATENT DOCUMENTS

2,248,837	A *	7/1941	Walters	H04R 25/652
					181/130
2,325,590	A *	7/1943	Carlisle	H04R 11/06
					381/322
2,430,229	A *	11/1947	Kelsey	H04R 1/1058
					181/130
D153,747	S *	5/1949	Anderson	D11/24
2,521,414	A *	9/1950	Schier	H04R 25/656
					181/135
2,971,065	A *	2/1961	Busse	H04R 25/456
					381/104
3,061,689	A *	10/1962	McCarrell	H04R 25/45
					381/328
D206,665	S *	1/1967	Sanzone	D24/174

3,440,365	A *	4/1969	Hazell	H04M 1/05
					379/430
4,069,400	A *	1/1978	Johanson	H04R 25/60
					381/322
D266,271	S *	9/1982	Johanson	D24/174
D276,143	S *	10/1984	Williams	D11/121
D287,765	S *	1/1987	Topholm	D24/174
D289,040	S *	3/1987	Olsen	D14/212

(Continued)

FOREIGN PATENT DOCUMENTS

JP	2006 222492	A	8/2006
WO	2006/104981	A2	10/2006
WO	2010/127265	A2	11/2010

Primary Examiner — Paula Greene

(74) *Attorney, Agent, or Firm* — Renner, Otto, Boisselle & Sklar, LLP

(57) **CLAIM**

The ornamental design for a wireless earbud, as shown and described.

DESCRIPTION

FIG. 1 is a top-rear perspective view of a first embodiment of a wireless earbud in accordance with the present invention;

FIG. 2 is a bottom-front perspective view of the wireless earbud in FIG. 1;

FIG. 3 is a top view thereof;

FIG. 4 is a bottom view thereof;

FIG. 5 is a front view thereof;

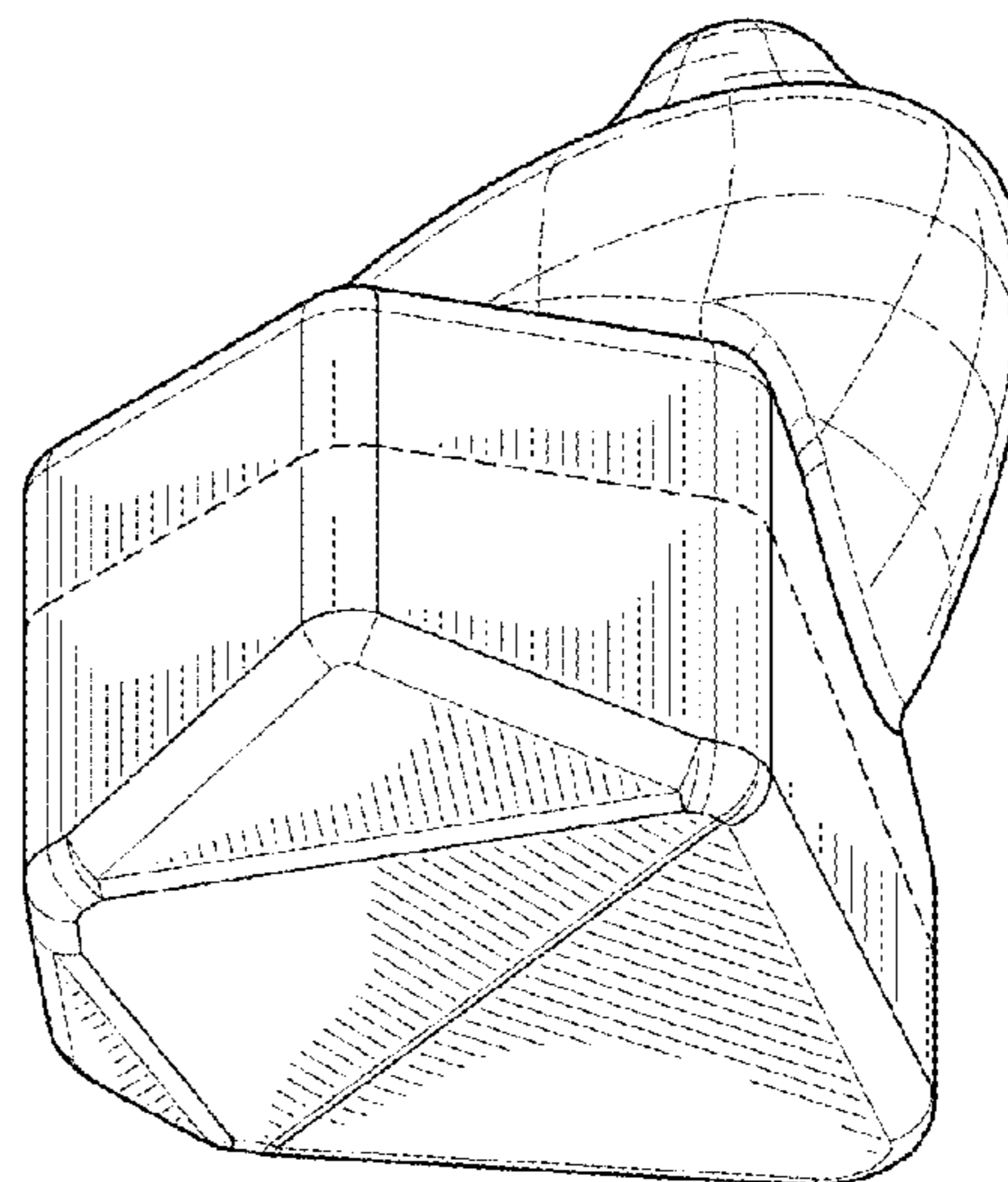
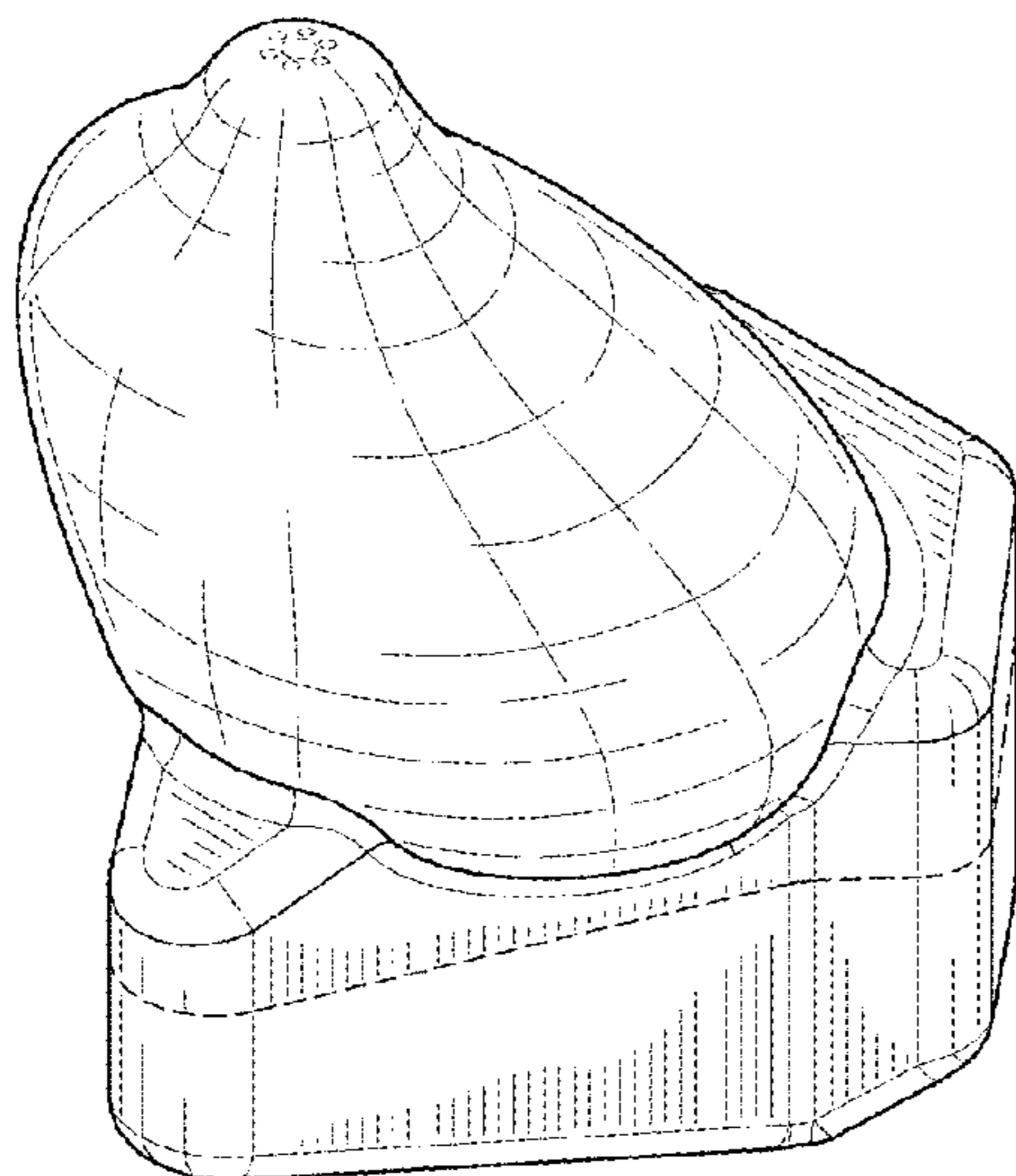
FIG. 6 is a rear view thereof;

FIG. 7 is a left side view thereof; and,

FIG. 8 is a right side view thereof.

The broken line showing that extends around the housing of the wireless earbud is for illustrating an unclaimed seam that forms no part of the claimed design, and all other broken line showings are for the purpose of illustrating portions of the wireless earbud that form no part of the claimed design.

1 Claim, 3 Drawing Sheets



(56)

References Cited

U.S. PATENT DOCUMENTS

D367,113	S *	2/1996	Weeks	D24/174	8,391,526	B2	3/2013	Dahl
5,659,156	A	8/1997	Mauney et al.			8,401,218	B2	3/2013	Son et al.
5,692,059	A *	11/1997	Kruger	H04R 1/1016	8,406,447	B2	3/2013	Kromann et al.
						8,526,657	B2	9/2013	Yanagishita et al.
						8,548,186	B2 *	10/2013	Alwicker
									H04R 1/1058
									381/371
D427,994	S *	7/2000	Pirelli	D14/223	8,666,102	B2	3/2014	Bruckhoff et al.
6,386,314	B1 *	5/2002	Sheehan	B62D 1/166	8,731,228	B2	5/2014	Burgett et al.
						8,737,669	B2	5/2014	Monahan et al.
						D711,356	S *	8/2014	Yang
									D14/223
						8,873,786	B2	10/2014	Larsen et al.
D468,301	S *	1/2003	Fushimi	D14/223	D716,769	S *	11/2014	Lee
6,688,421	B2 *	2/2004	Dyer	A61F 11/08	D719,139	S *	12/2014	Henry
									D14/223
						8,976,995	B2	3/2015	Berg
						8,989,426	B2	3/2015	Silvestri et al.
6,810,987	B1	11/2004	DeKalb			D735,169	S *	7/2015	Shieh
6,819,762	B2	11/2004	Jones et al.						D14/223
D519,487	S *	4/2006	Knight	D14/188	9,088,846	B2 *	7/2015	Blanchard
D550,657	S *	9/2007	Gan	D14/223				H04R 1/1016
D559,837	S *	1/2008	Nakano	D14/223	9,106,996	B2	8/2015	Burgett et al.
7,356,156	B2	4/2008	Rüegg			D764,445	S *	8/2016	Czaniecki
D574,814	S *	8/2008	Hammond	D14/205				D14/223
7,536,008	B2	5/2009	Howes et al.			2006/0050912	A1 *	3/2006	Kidd
D596,624	S *	7/2009	Hong	D14/223				H04R 25/656
7,708,110	B2	5/2010	Leong et al.						381/322
D618,219	S	6/2010	Burgett et al.			2006/0067556	A1	3/2006	Bailey et al.
D627,337	S *	11/2010	Wu	D14/223	2007/0253587	A1	11/2007	Ostrowski
D632,677	S *	2/2011	Brown	D14/223	2008/0013774	A1	1/2008	Hosaka et al.
7,916,888	B2	3/2011	Sapiejewski et al.			2008/0025539	A1	1/2008	Bailey et al.
D641,010	S *	7/2011	Kwon	D14/223	2008/0144877	A1	6/2008	Ham et al.
D641,736	S *	7/2011	Brunner	D14/205	2011/0002498	A1	1/2011	Wong et al.
8,111,861	B2	2/2012	Lowry			2011/0155147	A1 *	6/2011	McIntosh
8,116,501	B2	2/2012	Kusuda et al.						A61F 11/08
8,121,325	B2	2/2012	Atamaniuk et al.						128/864
D660,292	S *	5/2012	Rautiainen	D14/223	2011/0255729	A1	10/2011	Tan et al.
D660,826	S *	5/2012	Brunner	D14/223	2012/0027242	A1	2/2012	Son et al.
8,311,253	B2	11/2012	Silvestri et al.			2012/0039500	A1	2/2012	Silvestri et al.
D673,531	S *	1/2013	Lee	D14/223	2012/0087532	A1 *	4/2012	Yang
D673,532	S *	1/2013	Lee	D14/223				H04R 1/10
D676,026	S *	2/2013	Lee	D14/223				381/380
						2012/0155692	A1	6/2012	Chen
						2013/0177193	A1	7/2013	Orzel et al.
						2013/0343595	A1	12/2013	Zorkendorfer et al.
						2014/0211977	A1	7/2014	Armstrong

* cited by examiner

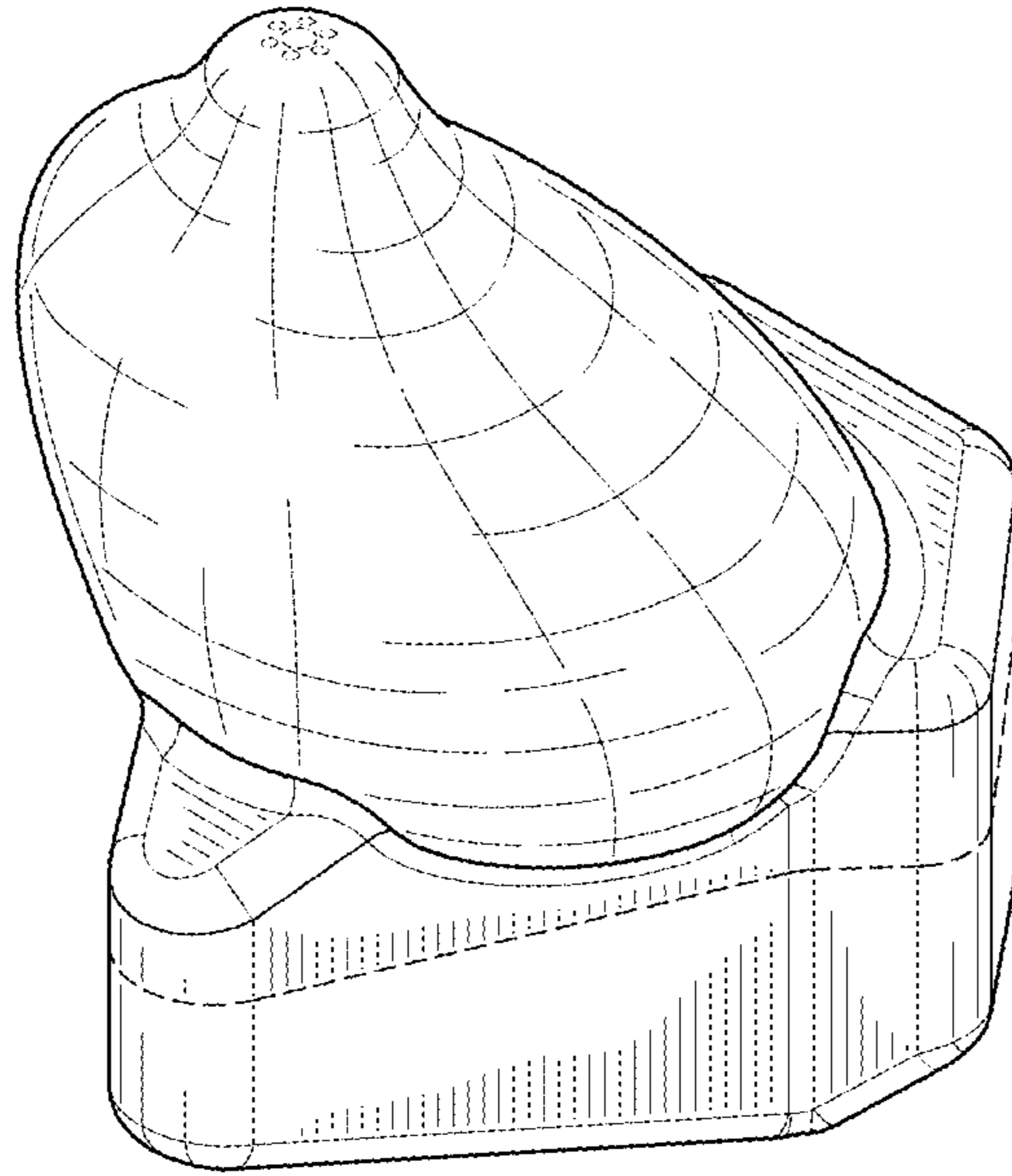


FIG. 1

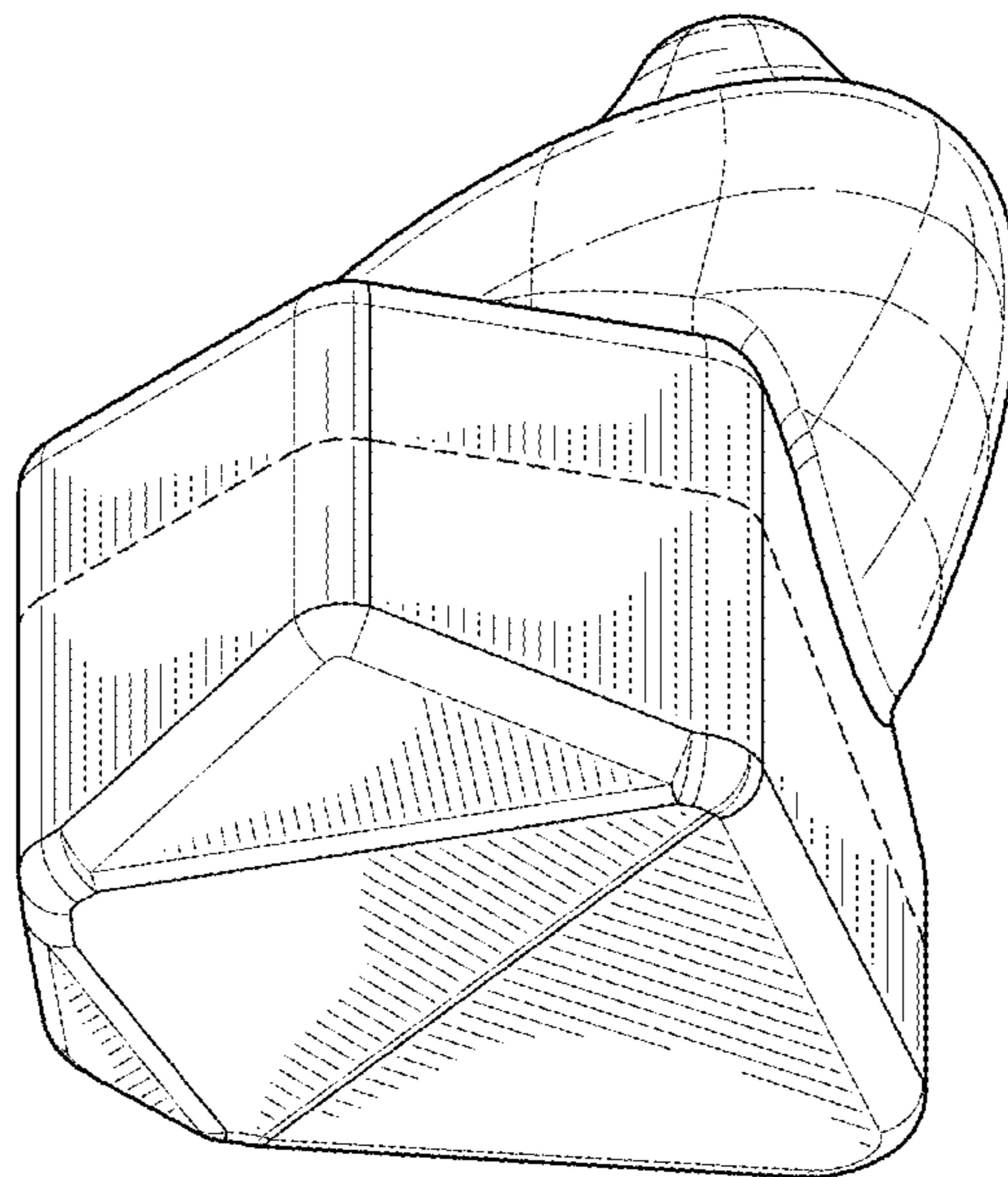


FIG. 2

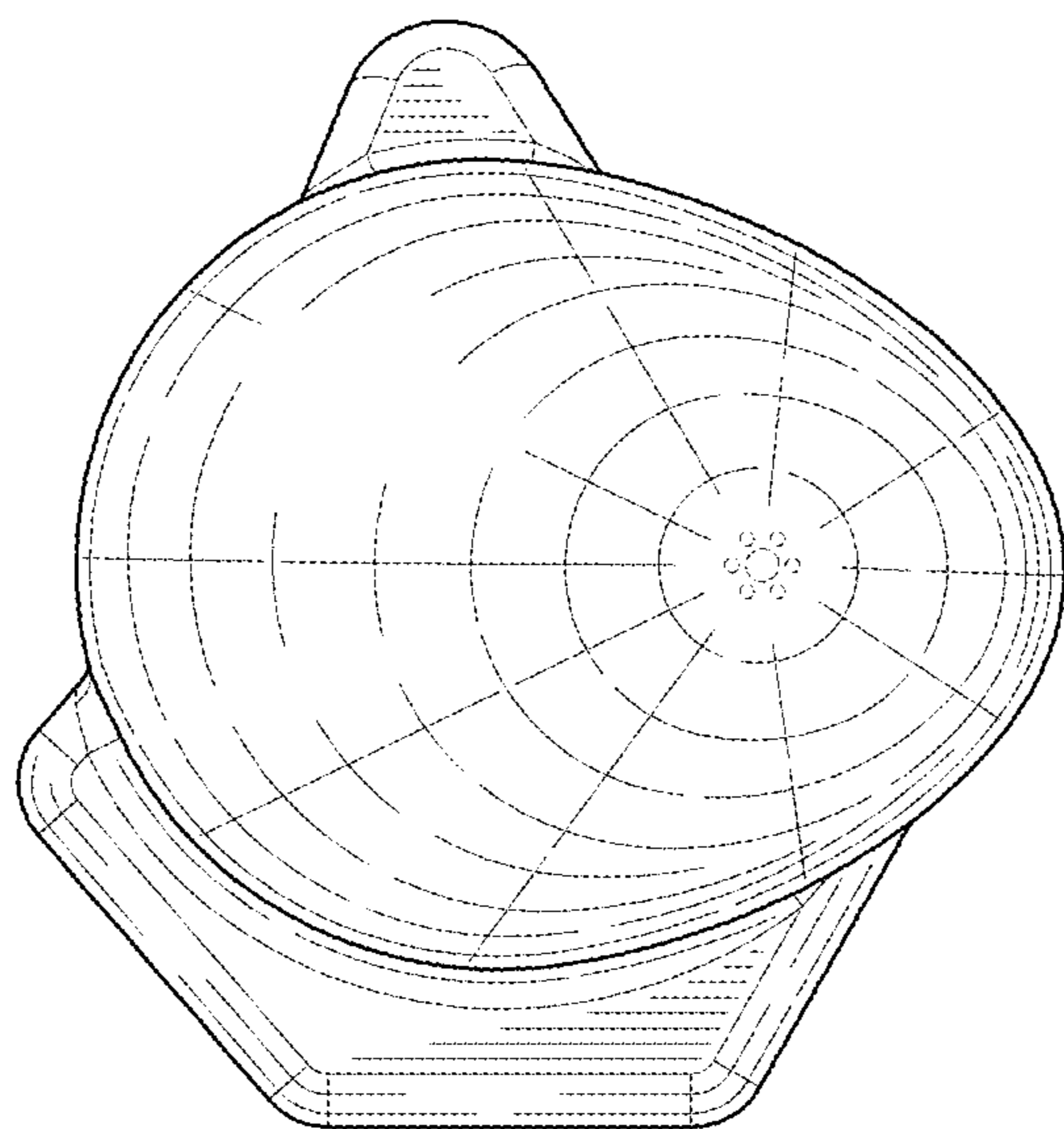


FIG. 3

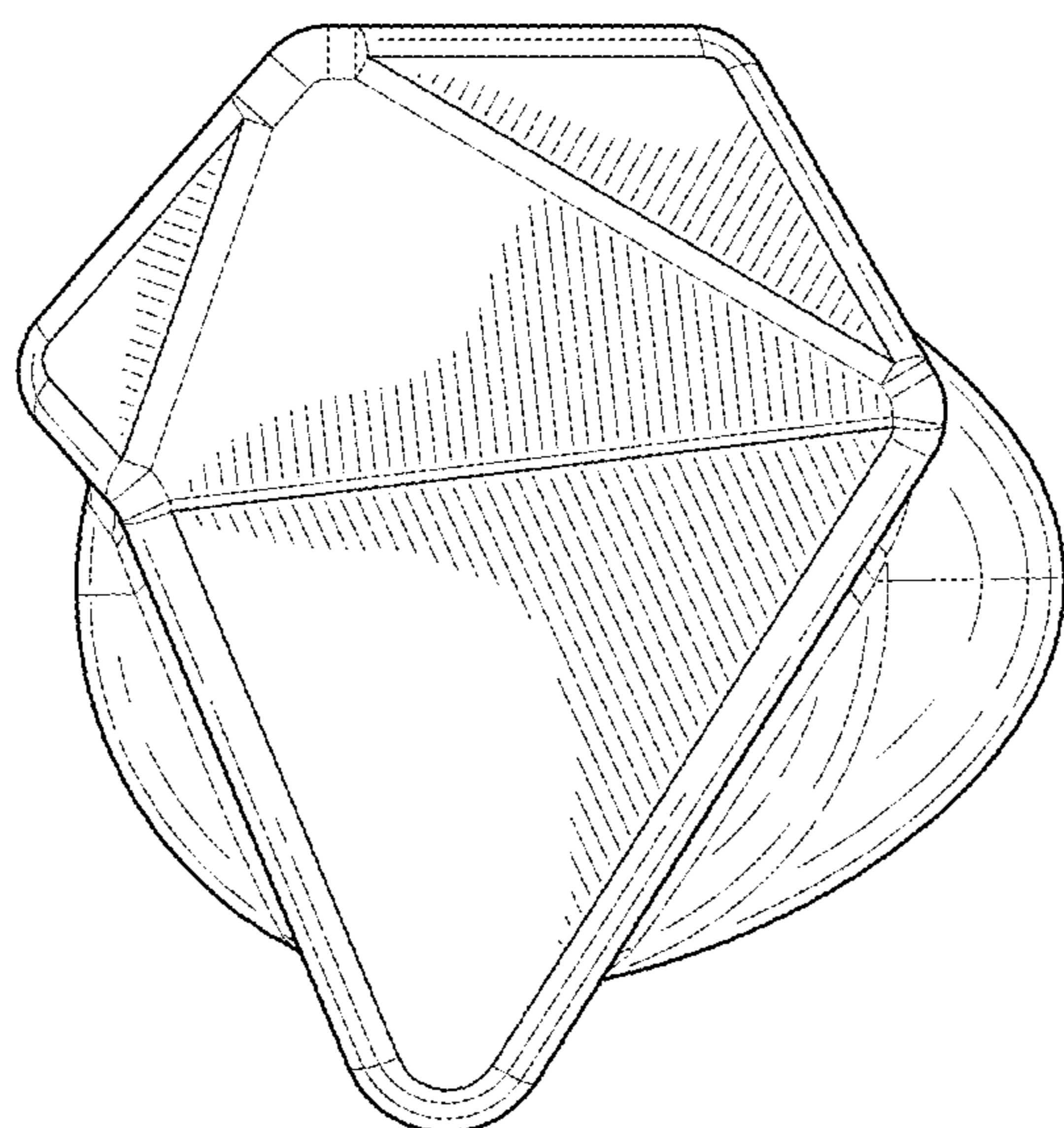


FIG. 4

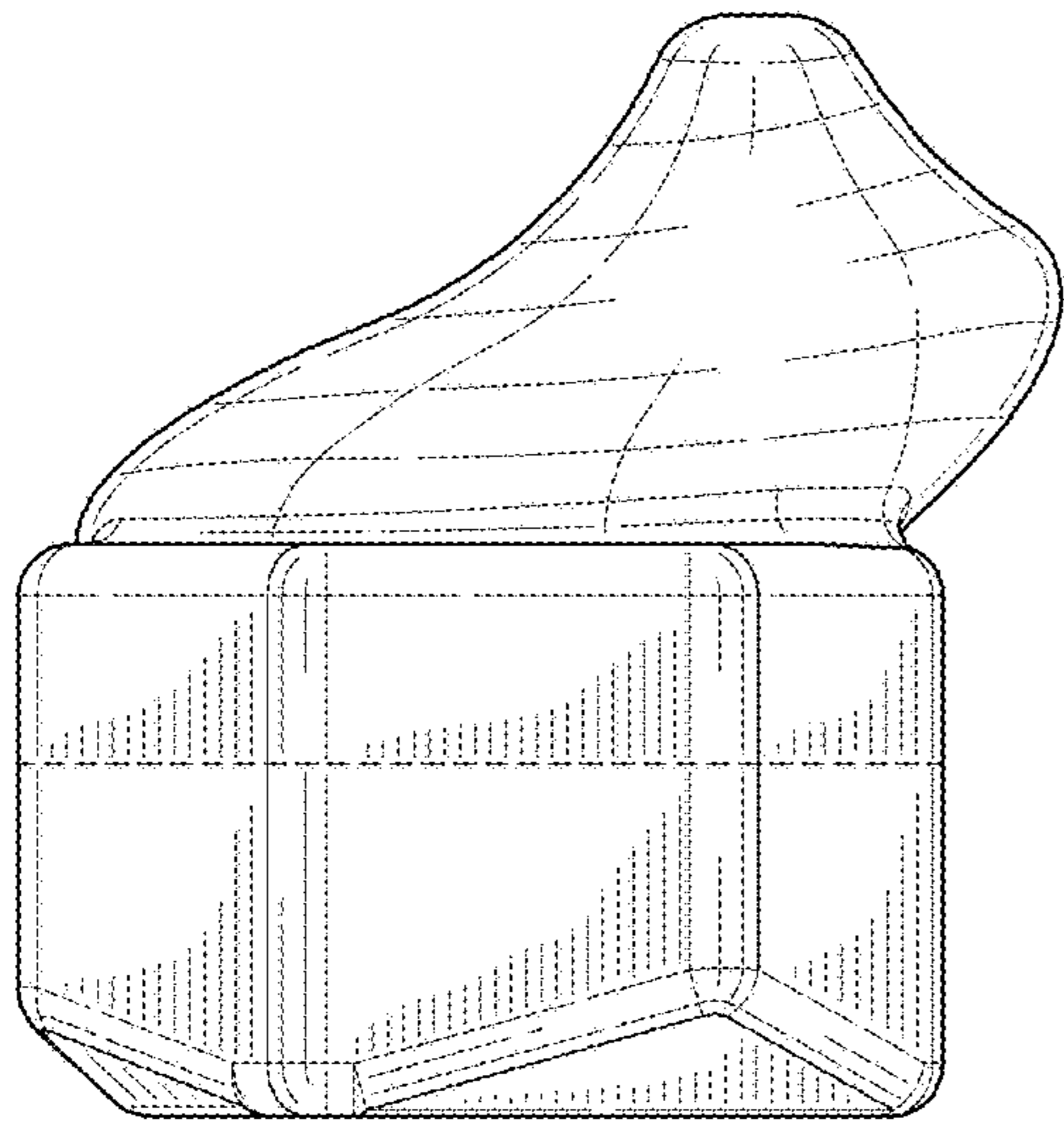


FIG. 5

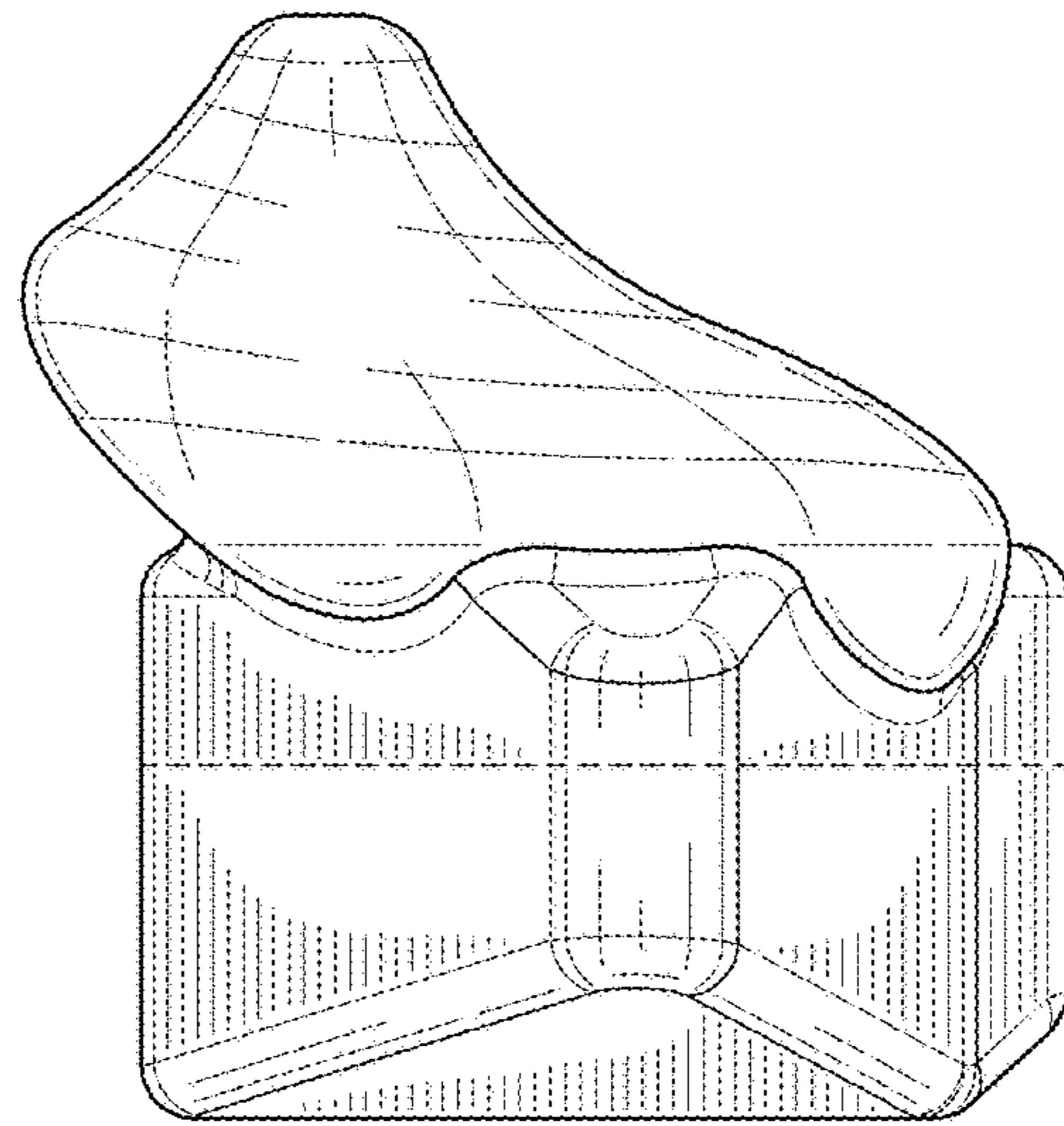


FIG. 6

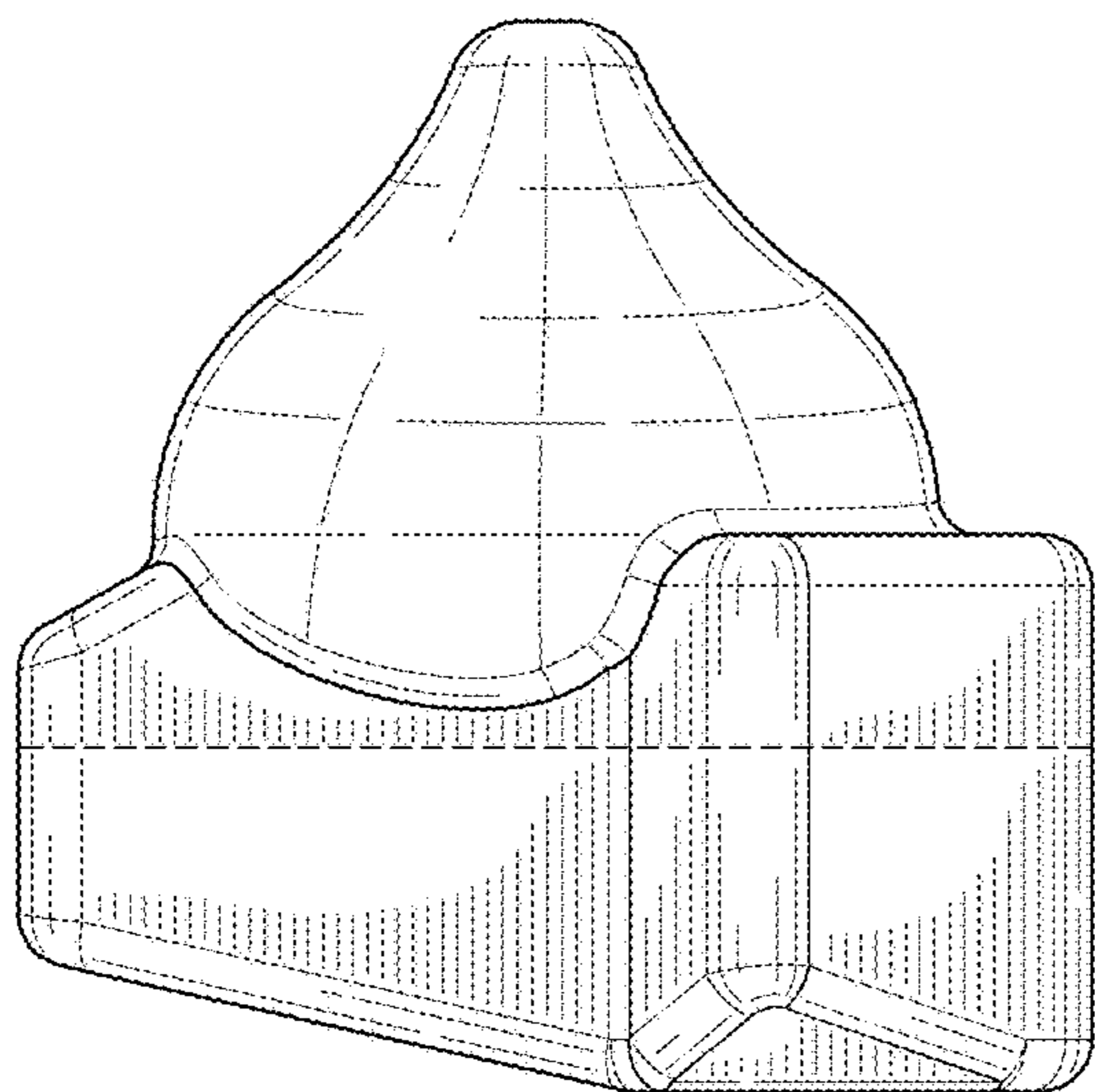


FIG. 7

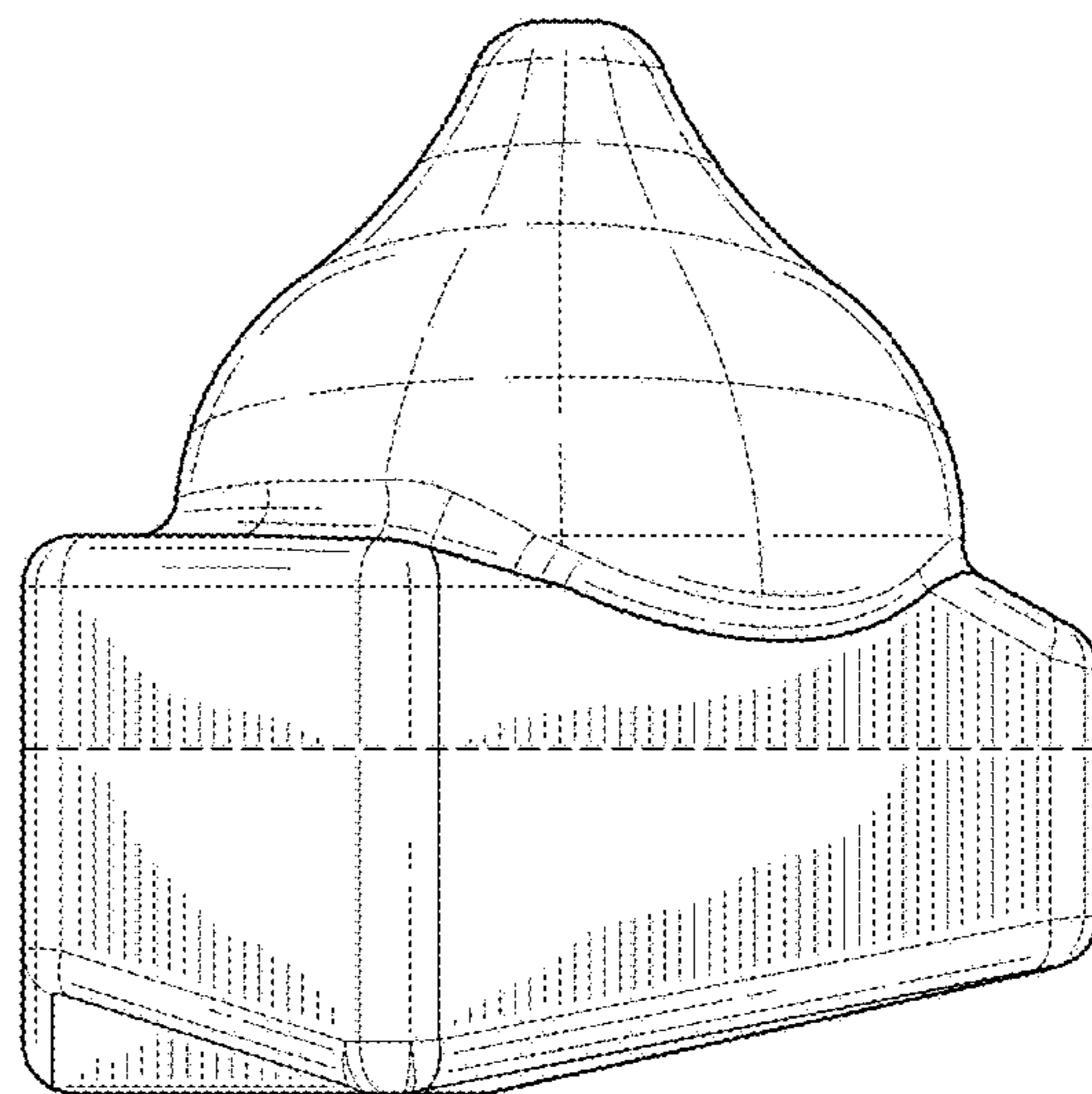


FIG. 8