

US00D797078S

(12) **United States Design Patent** (10) **Patent No.:** **US D797,078 S**
Nugent et al. (45) **Date of Patent:** **** Sep. 12, 2017**

(54) **LOUDSPEAKER SYSTEM**

(71) Applicant: **Harman International Industries, Incorporated**, Northridge, CA (US)

(72) Inventors: **Tim Nugent**, Santa Monica, CA (US);
Andy Flint, Santa Clarita, CA (US)

(73) Assignee: **Harman International Industries, Incorporated**, Northridge, CA (US)

(**) Term: **15 Years**

(21) Appl. No.: **29/551,710**

(22) Filed: **Jan. 15, 2016**

(51) **LOC (10) Cl.** **14-03**

(52) **U.S. Cl.**
USPC **D14/214**

(58) **Field of Classification Search**
USPC ... D14/214, 204, 217, 208, 209.1, 210, 212,
D14/213, 215, 216, 218, 240, 496, 228,
D14/191, 195, 196, 203.6, 203.8;
D13/184; 181/143, 144, 147, 148, 150,
181/153, 157, 198, 199; 381/361-364,
381/386-388
CPC H04R 1/02; H05K 5/00; A47B 1/06; A47B
81/06
See application file for complete search history.

(56) **References Cited**

U.S. PATENT DOCUMENTS

2,230,104	A *	1/1941	Bostwick	H04R 9/02 381/170
3,207,257	A *	9/1965	Wilson	H04R 1/02 181/147
D249,684	S *	9/1978	Rams	D14/214
D261,883	S *	11/1981	Russell	D14/214
D268,673	S *	4/1983	Iijima	D14/214
4,805,730	A *	2/1989	O'Neill	H04R 1/02 181/145
D319,445	S *	8/1991	Yamakawa	D14/210

D322,072	S *	12/1991	Yamamoto	D14/210
D335,497	S *	5/1993	Patterson, Jr.	D14/211
D347,225	S *	5/1994	Lowy	D14/204
D362,667	S *	9/1995	Sohn	D14/214
D390,234	S *	2/1998	Ito	D14/208
D392,976	S *	3/1998	Fenner	D14/211
D397,115	S *	8/1998	Gremchuck	D14/214
D399,509	S *	10/1998	Renk	D14/211
6,035,962	A *	3/2000	Lin	H04R 1/02 181/148
D422,593	S *	4/2000	Ito	D14/214
D431,815	S *	10/2000	Masui	D14/214

(Continued)

Primary Examiner — Paula Greene

(74) *Attorney, Agent, or Firm* — Plumsea Law Group, LLC

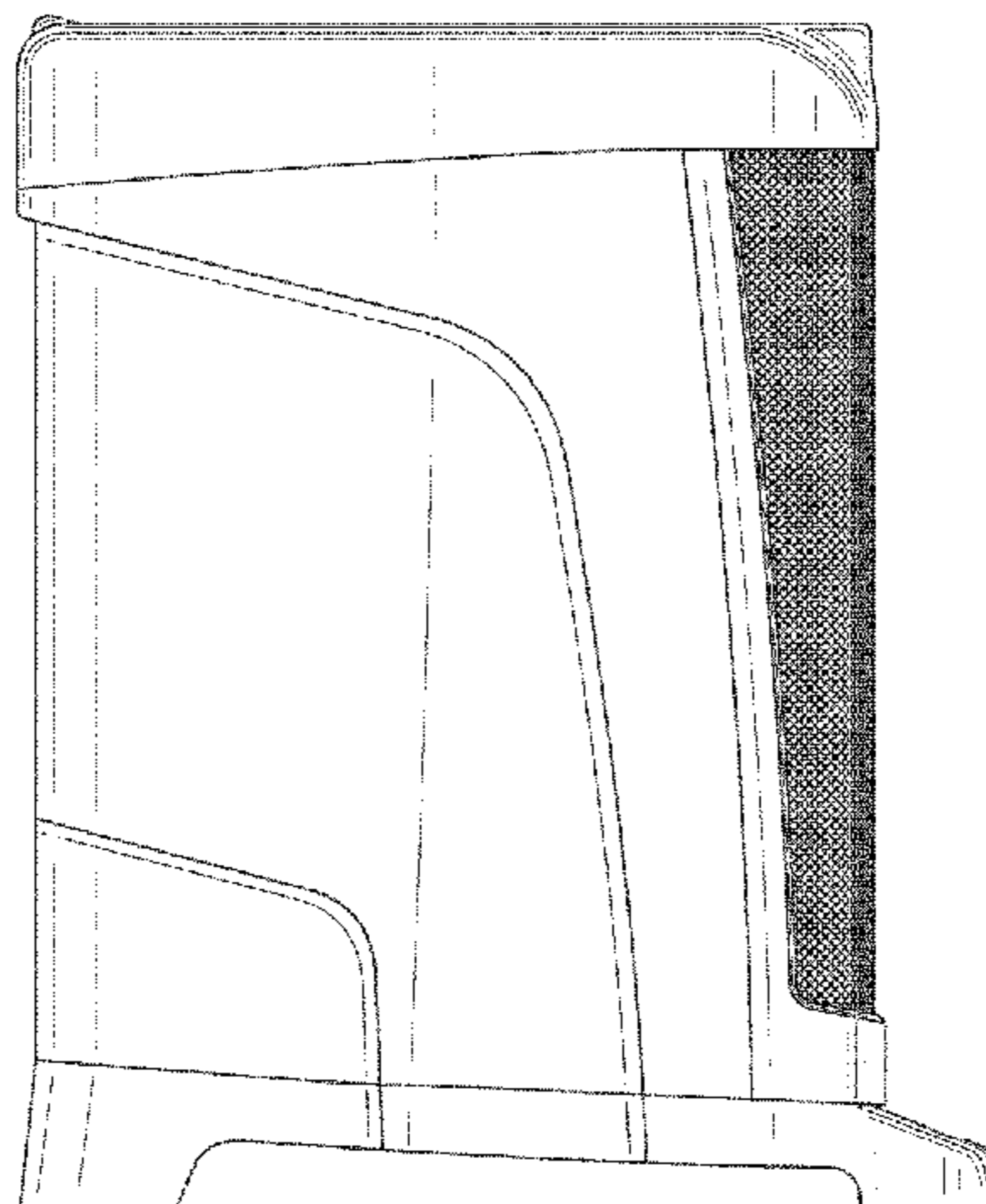
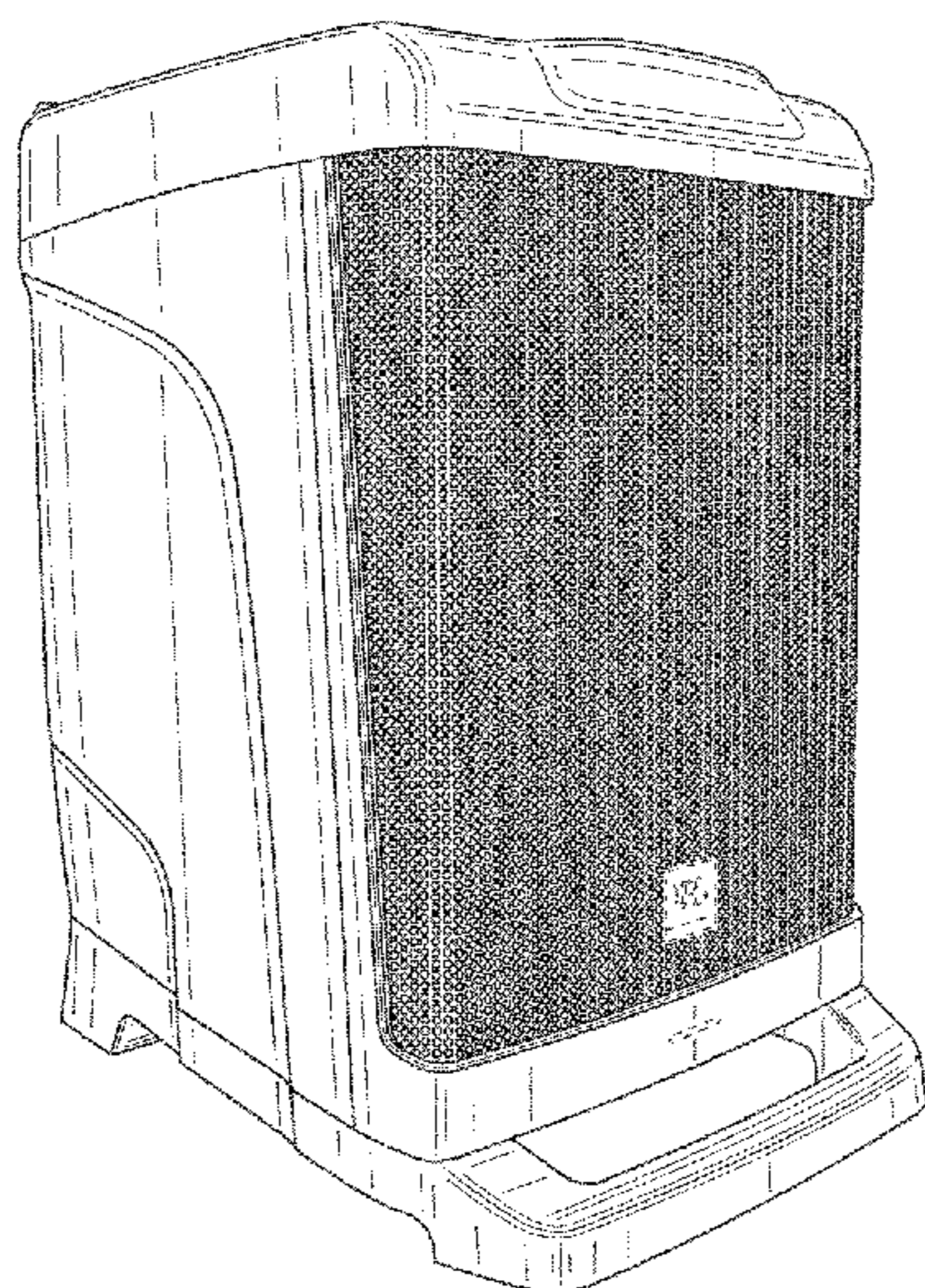
(57) **CLAIM**

The ornamental design for a loudspeaker system, as shown and described.

DESCRIPTION

FIG. 1 is a perspective view of a loudspeaker system showing our new design;
 FIG. 2 is a rear perspective view thereof;
 FIG. 3 is a front elevational view thereof;
 FIG. 4 is a rear elevational view thereof;
 FIG. 5 is a side elevational view thereof, the opposite side elevational view being a mirror image thereof;
 FIG. 6 is a top view thereof;
 FIG. 7 is a top view thereof, shown with the top cover in a pivoted open position;
 FIG. 8 is a rear elevational view thereof shown with the top cover in a pivoted open position; and,
 FIG. 9 is a perspective view of another embodiment of a loudspeaker system showing our new design, shown with a column tweeter mounted on the main body housing, and the top cover in a closed position.
 The broken line showing depicts environmental features and forms no part of the claimed design.

1 Claim, 9 Drawing Sheets



(56)

References Cited

U.S. PATENT DOCUMENTS

D439,238	S	*	3/2001	Mackie	D14/214
D451,494	S	*	12/2001	Oikawa	D14/211
D471,891	S	*	3/2003	Oikawa	D14/211
6,561,311	B2	*	5/2003	Chuang	H04R 1/02 181/148
D475,991	S	*	6/2003	Hisatsune	D14/211
D497,899	S	*	11/2004	Weikel	D14/211
D518,817	S	*	4/2006	Ching	D14/214
D525,615	S	*	7/2006	Tanaka	D14/211
D552,492	S	*	10/2007	Wang	D10/38
D562,307	S	*	2/2008	Warden	D14/211
D582,892	S	*	12/2008	Baird	D14/214
D609,216	S	*	2/2010	Davies	D14/214
D611,452	S	*	3/2010	Warden	D14/211
D660,286	S	*	5/2012	Lee	D14/214
D695,269	S	*	12/2013	Carpenter	D14/209.1
D778,872	S	*	2/2017	Yang	D14/204

* cited by examiner

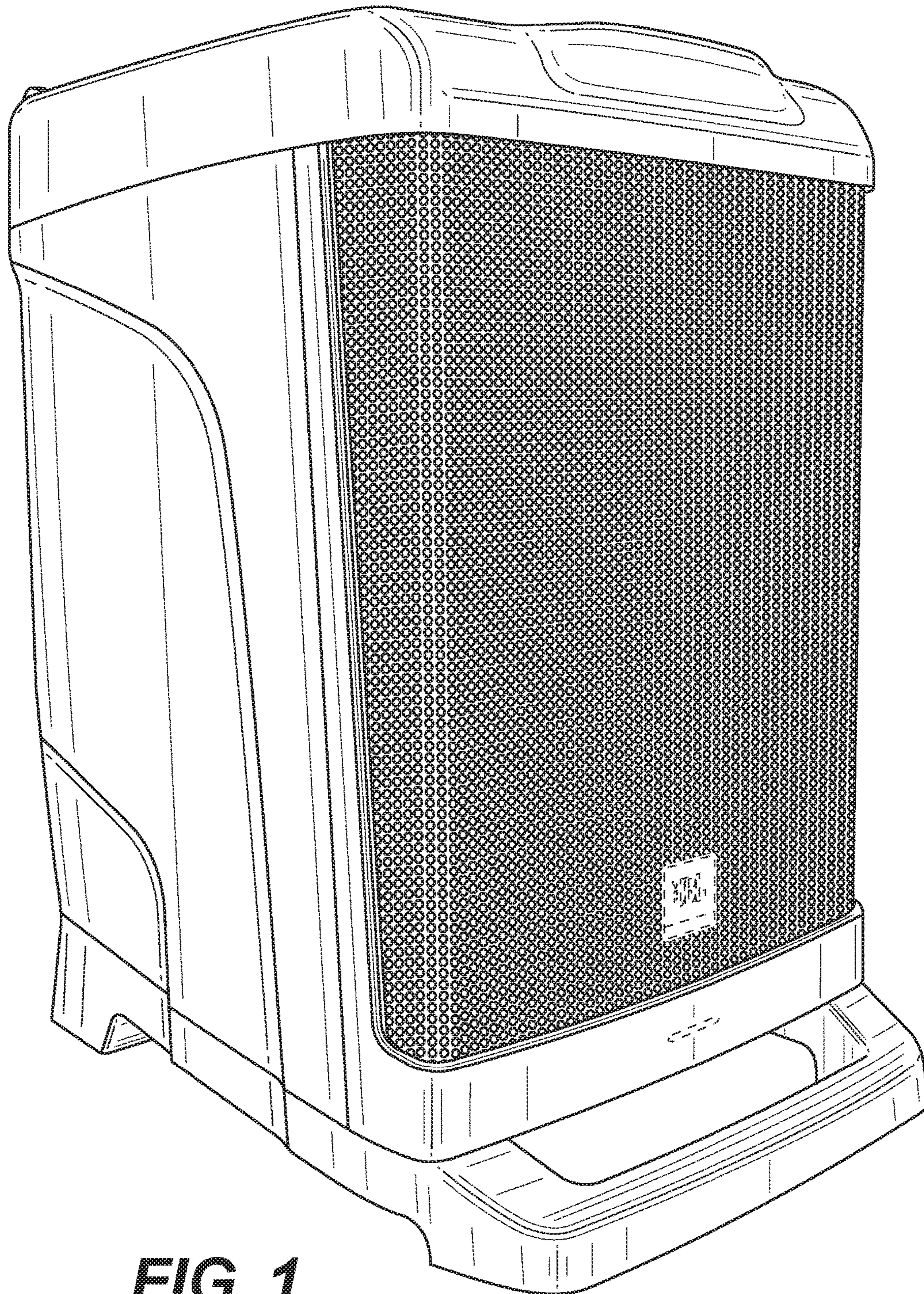


FIG. 1

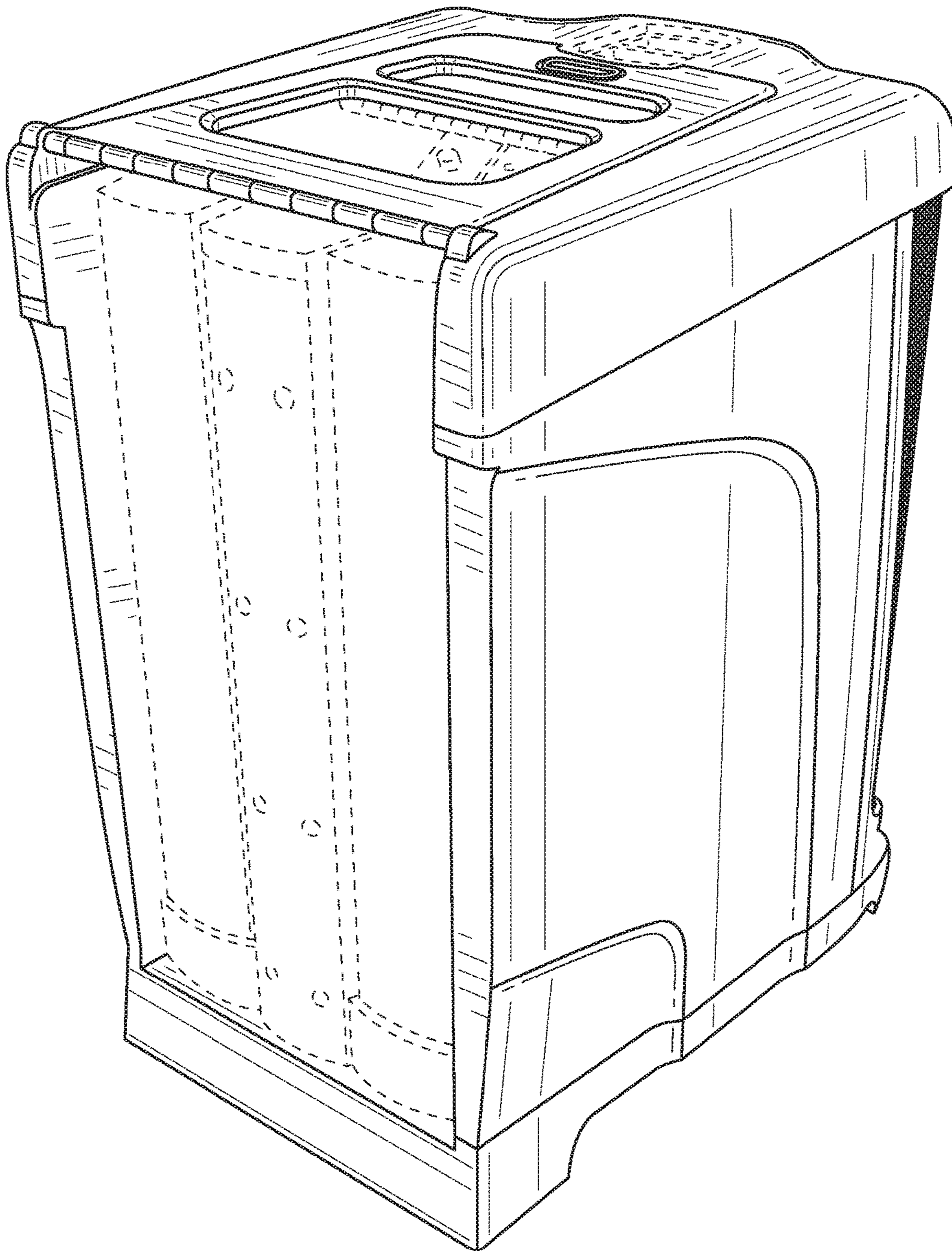


FIG. 2

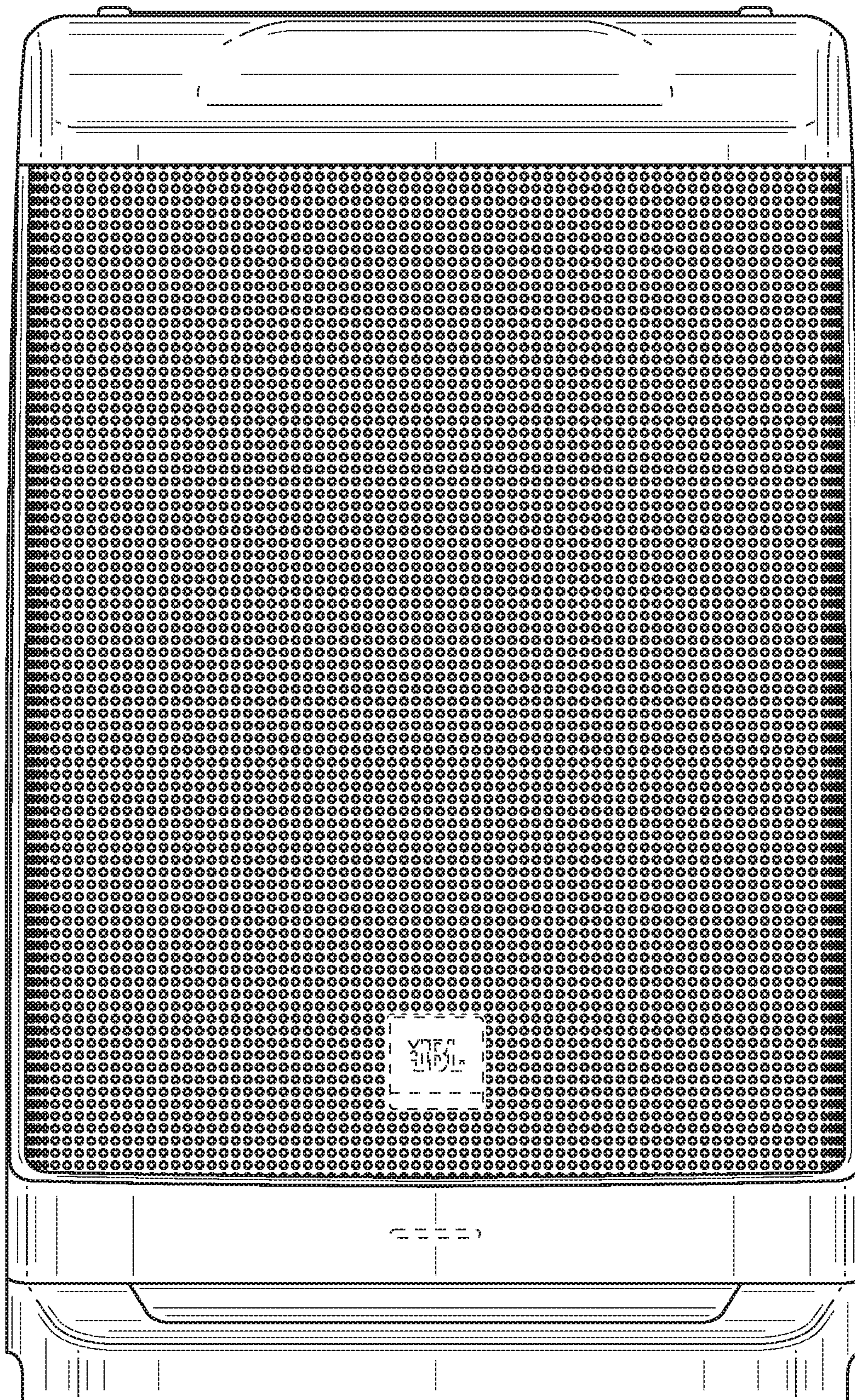


FIG. 3

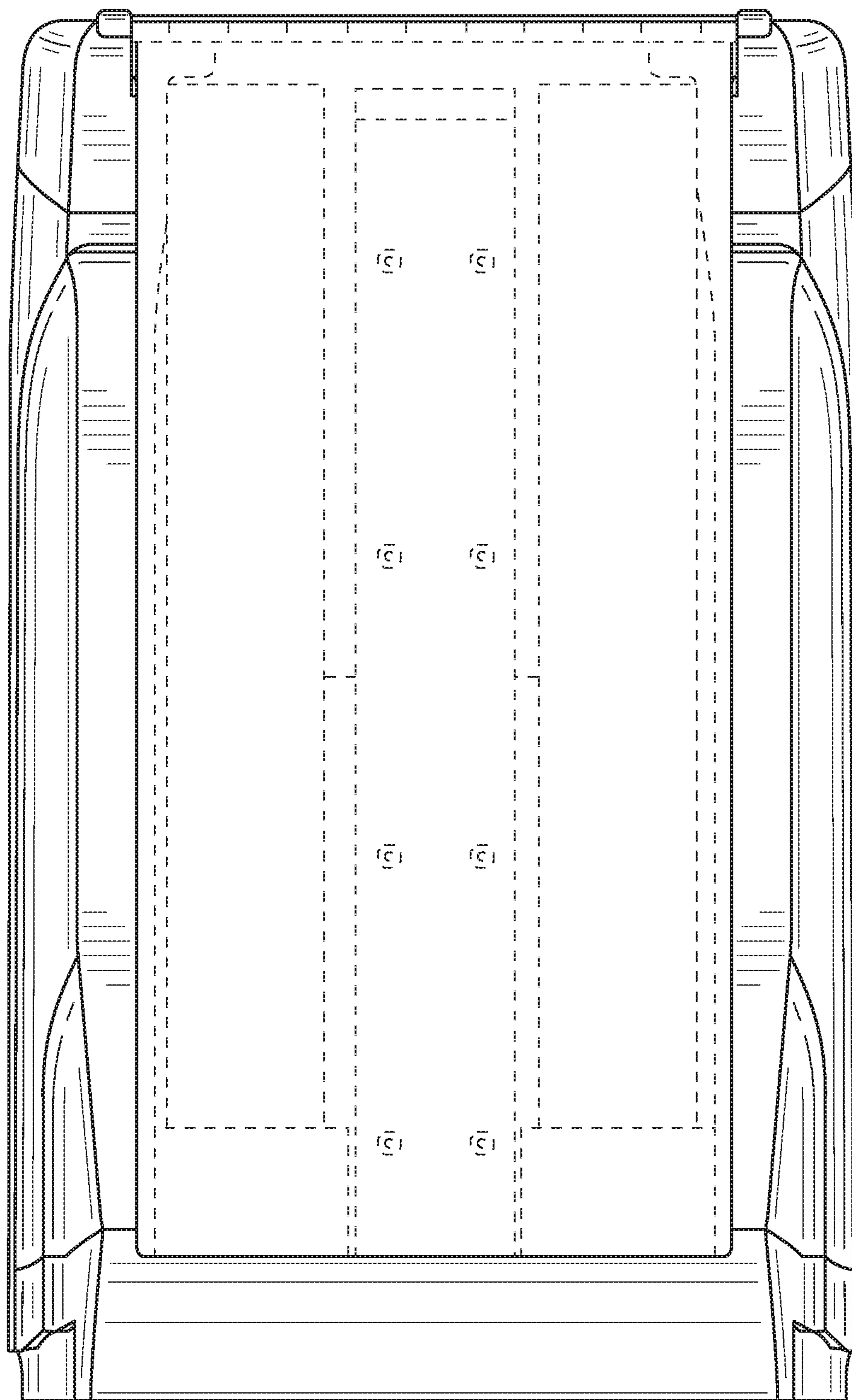


FIG. 4

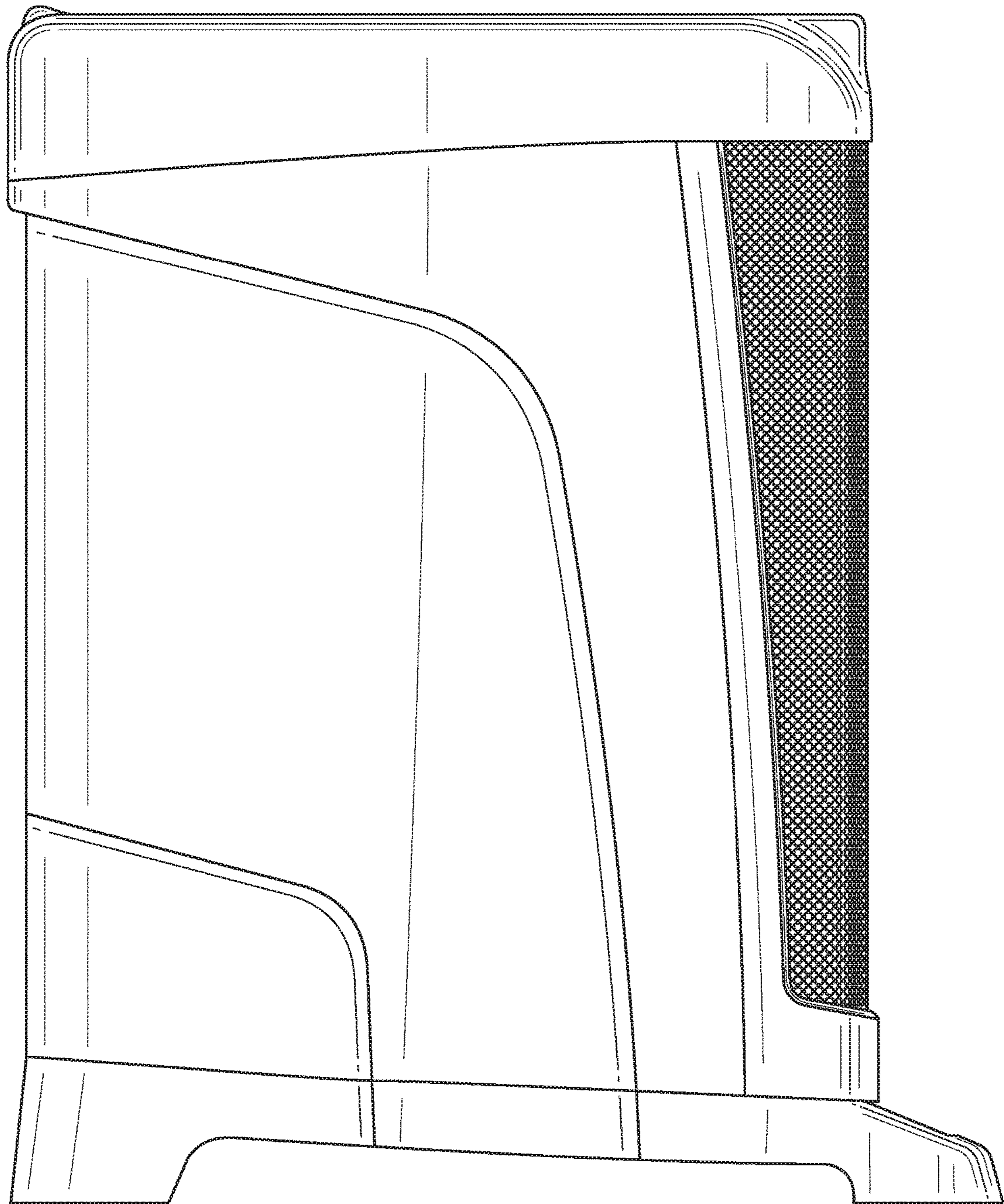


FIG. 5

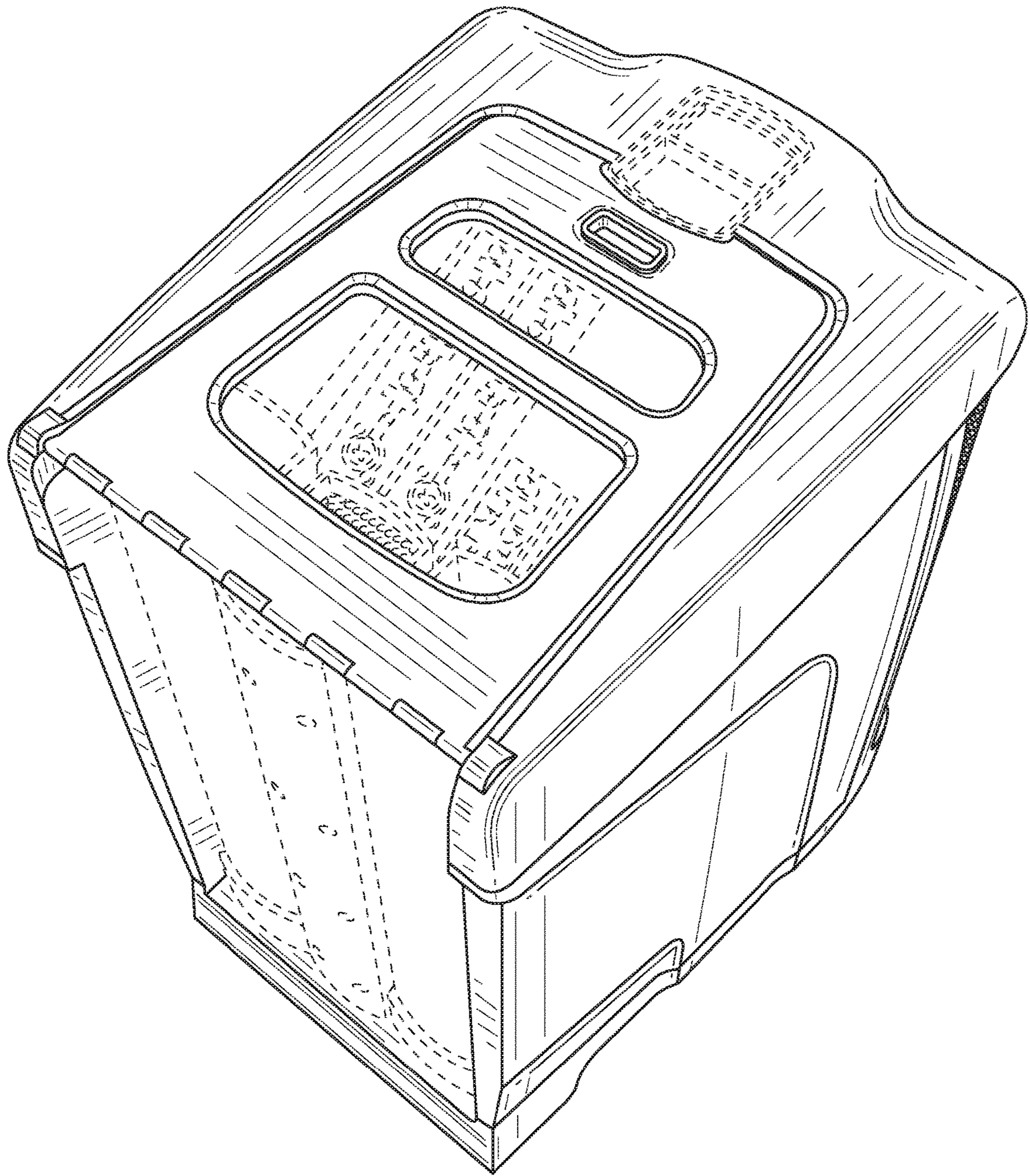


FIG. 6

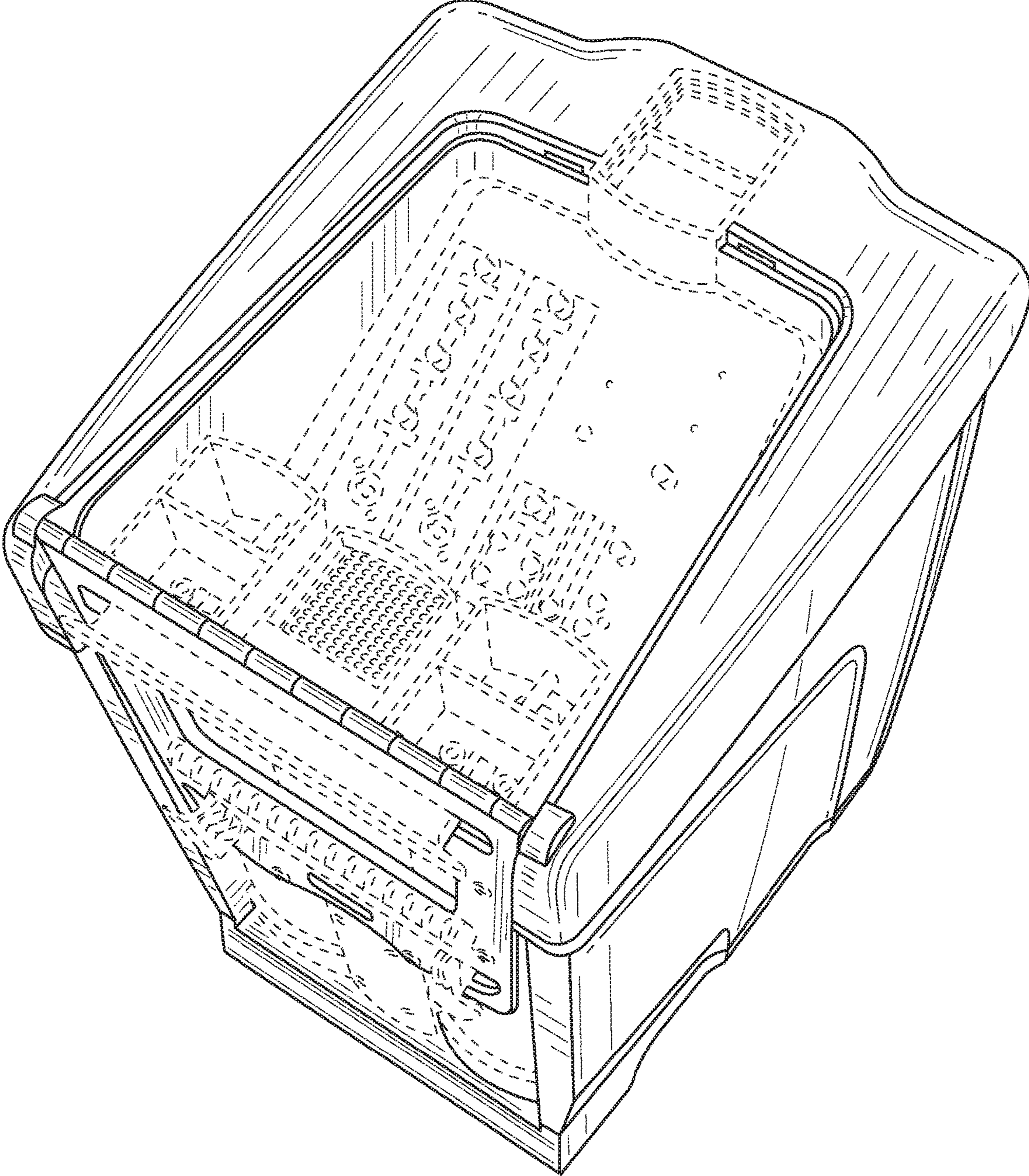


FIG. 7

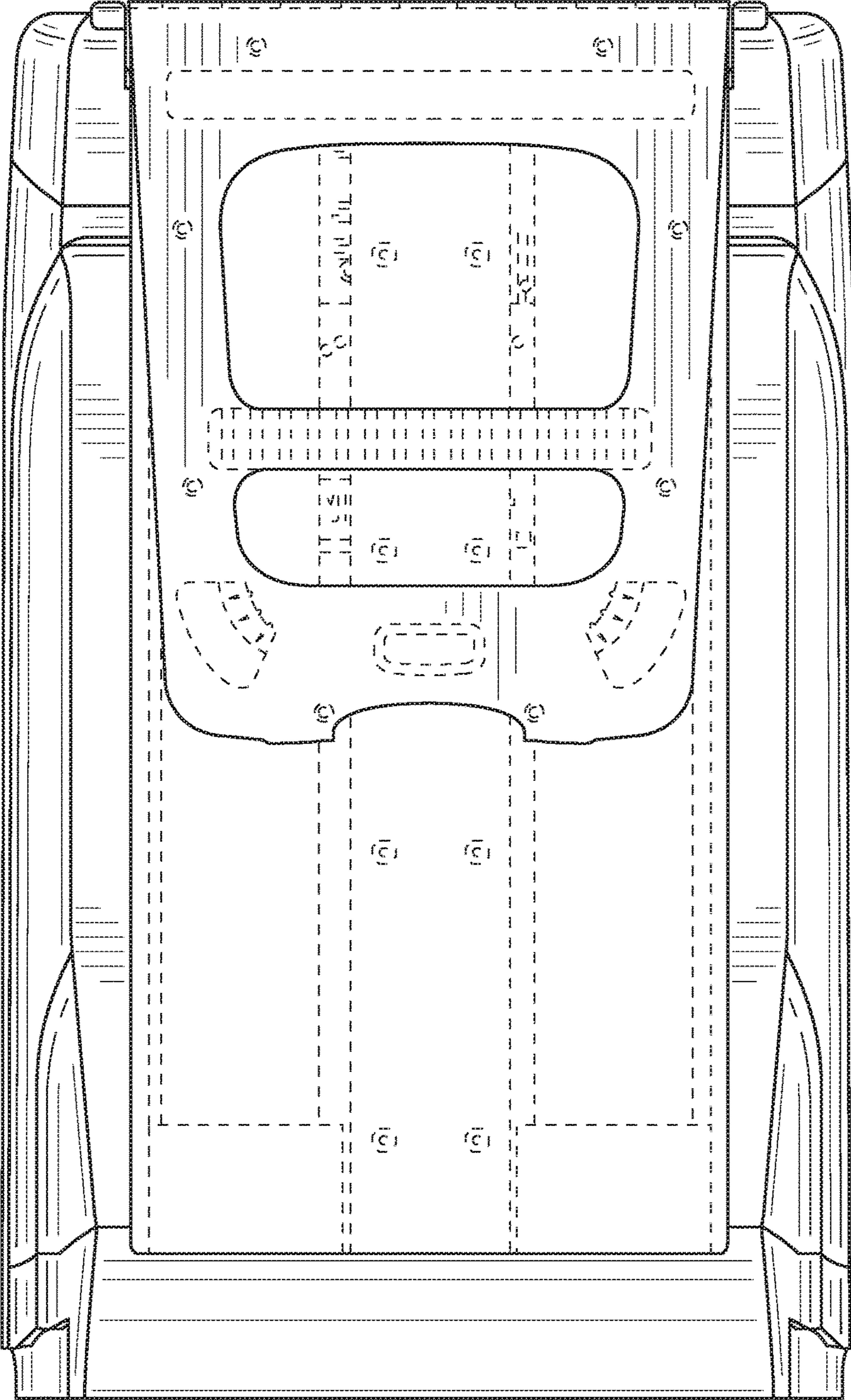


FIG. 8

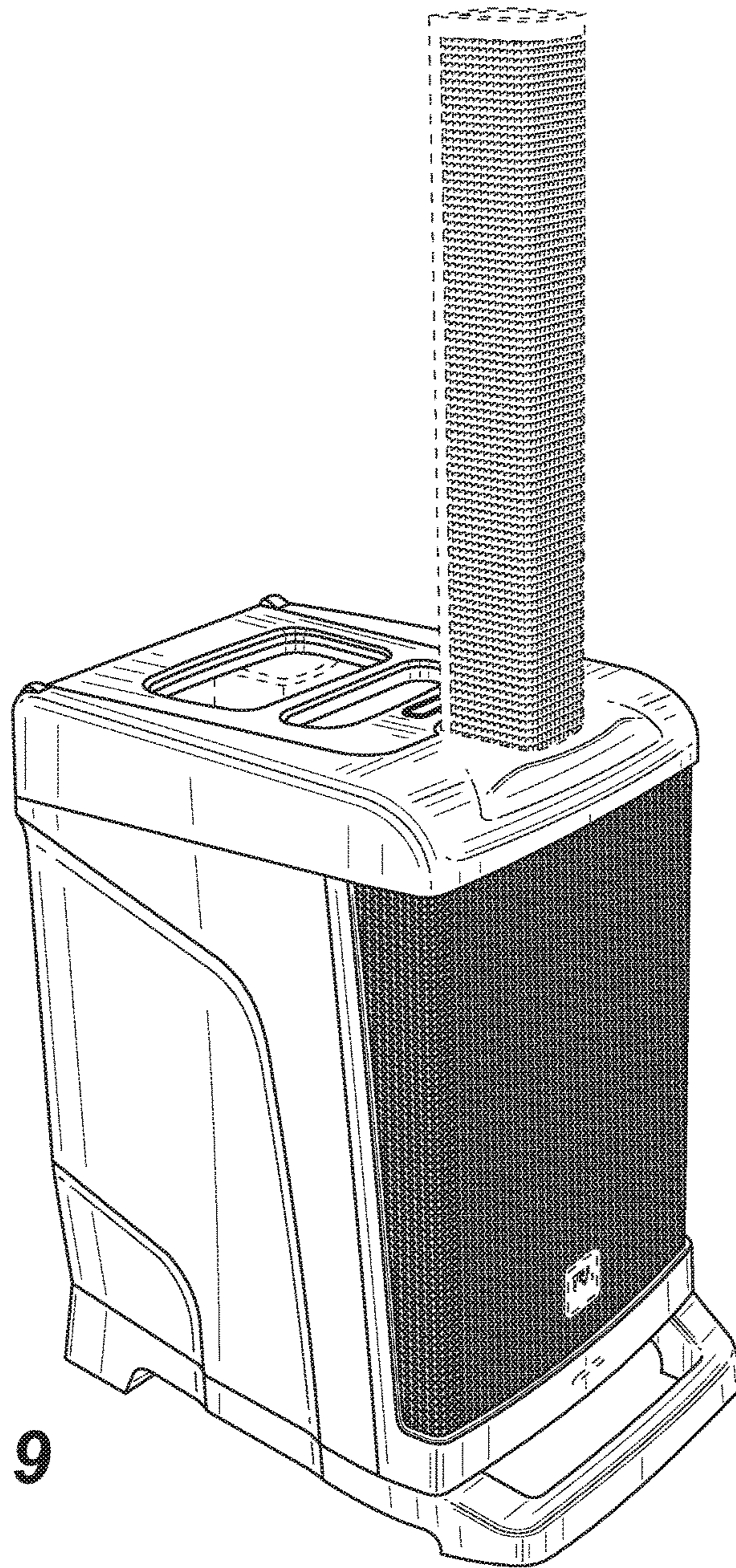


FIG. 9