



US00D797076S

(12) **United States Design Patent**  
**Zhang**

(10) **Patent No.:** **US D797,076 S**

(45) **Date of Patent:** **\*\* Sep. 12, 2017**

(54) **WIRELESS HEADSET**

(71) Applicant: **Shenzhen Liangzi Zhineng Technology Co.,Ltd.**, Shenzhen (CN)

(72) Inventor: **PengRui Zhang**, Shenzhen (CN)

(73) Assignee: **SHENZHEN LIANGZI ZHINENG TECHNOLOGY CO., LTD**, Shenzhen (CN)

(\*\*) Term: **15 Years**

(21) Appl. No.: **29/574,677**

(22) Filed: **Aug. 18, 2016**

(51) **LOC (10) Cl.** ..... **14-01**

(52) **U.S. Cl.**  
USPC ..... **D14/206; D14/223**

(58) **Field of Classification Search**  
USPC ..... D14/206, 223, 225, 188, 192; D24/174;  
181/129, 130, 135; 379/430, 431;  
381/380, 381, 322, 323, 312, 375, 330,  
381/370, 374, 379, 324; 455/90.2, 575.1,  
455/569.1

CPC ..... H04R 1/10; H04R 1/1066; H04R 1/1016;  
H04R 25/00; H04R 1/105; H04R 5/033;  
H04R 5/0335

See application file for complete search history.

(56) **References Cited**

**U.S. PATENT DOCUMENTS**

D354,568 S \* 1/1995 Araki ..... D24/174  
6,041,128 A \* 3/2000 Narisawa ..... H04R 25/602  
381/322  
6,101,260 A \* 8/2000 Jensen ..... H04M 1/05  
379/430  
D455,417 S \* 4/2002 Bey ..... D14/206  
D455,732 S \* 4/2002 Skulley ..... D14/206  
D457,635 S \* 5/2002 Dittli ..... D24/174

D478,574 S \* 8/2003 Ming ..... D14/223  
D480,711 S \* 10/2003 Kuan ..... D14/223  
D487,078 S \* 2/2004 Chen ..... D14/206  
D504,673 S \* 5/2005 Dyer ..... D14/205  
D510,082 S \* 9/2005 Olson ..... D14/206  
D512,984 S \* 12/2005 Ham ..... D14/205  
D516,216 S \* 2/2006 Portmann ..... D24/174  
D518,473 S \* 4/2006 Gwee ..... D14/205  
D519,498 S \* 4/2006 Ham ..... D14/225  
D521,492 S \* 5/2006 Ham ..... D14/205  
7,089,042 B2 \* 8/2006 Bodley ..... H04M 1/05  
381/104  
D537,815 S \* 3/2007 Bentley ..... D14/206  
D539,266 S \* 3/2007 Bentley ..... D14/205  
D541,787 S \* 5/2007 Ma ..... D14/205  
D557,255 S \* 12/2007 Shintani ..... D14/206  
D572,234 S \* 7/2008 Reda ..... D14/205  
D584,719 S \* 1/2009 Brennwald ..... D14/205  
D603,372 S \* 11/2009 Bentley ..... D14/206  
D612,840 S \* 3/2010 Yang ..... D14/206  
D647,877 S \* 11/2011 Son ..... D14/206  
D657,347 S \* 4/2012 Chung ..... D14/206  
D670,267 S \* 11/2012 Maddern ..... D14/206  
D681,014 S \* 4/2013 Ham ..... D14/206

(Continued)

*Primary Examiner* — Paula Allen Greene

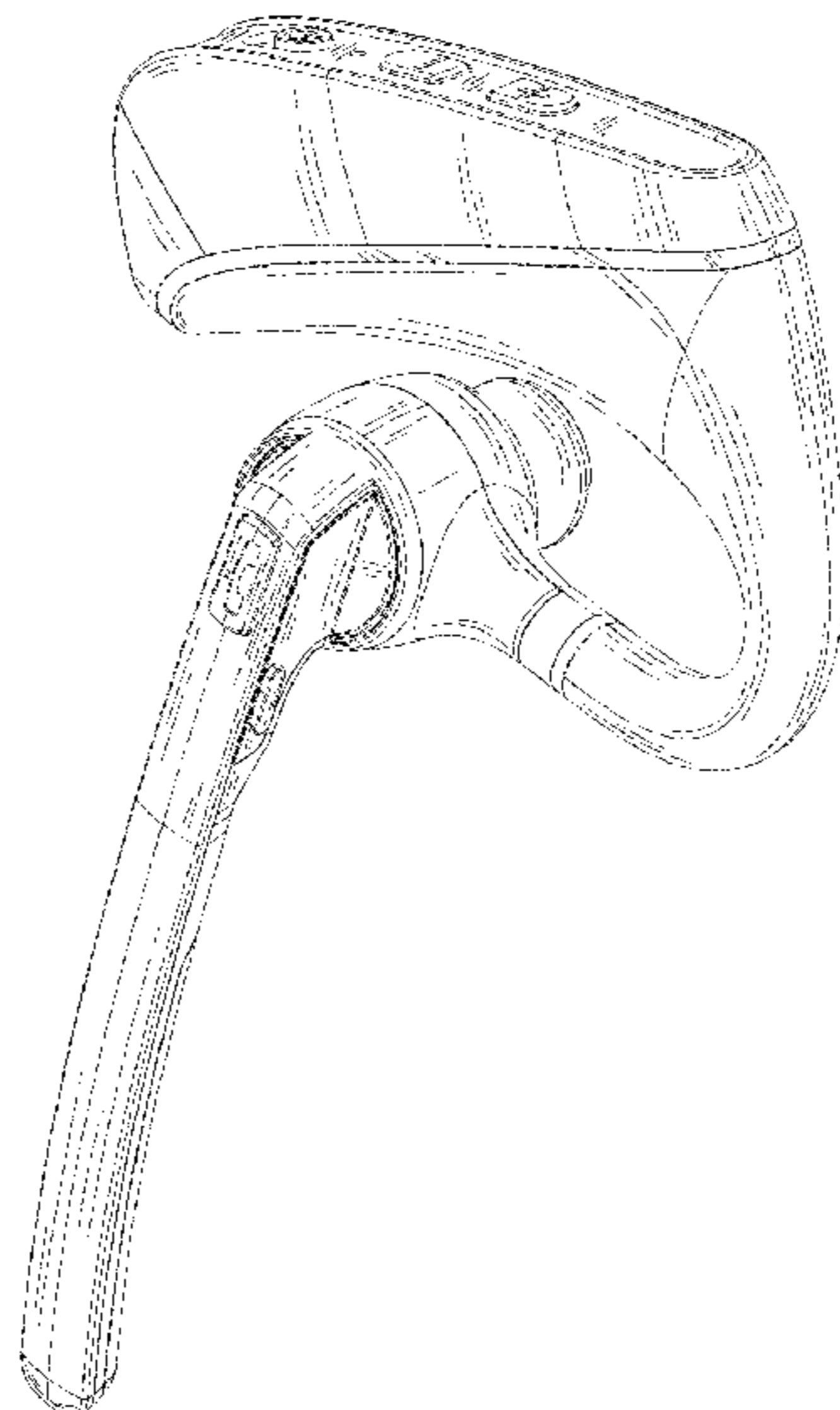
(57) **CLAIM**

The ornamental design for a wireless headset, as shown and described.

**DESCRIPTION**

FIG. 1 is a perspective view of a wireless headset showing my new design;  
FIG. 2 is a front elevational view thereof;  
FIG. 3 is a rear elevational view thereof;  
FIG. 4 is a left side elevational view thereof;  
FIG. 5 is a right side elevational view thereof;  
FIG. 6 is a top plan view thereof; and,  
FIG. 7 is a bottom plan view thereof.

**1 Claim, 7 Drawing Sheets**



(56)

**References Cited**

U.S. PATENT DOCUMENTS

8,437,860 B1 \* 5/2013 Crawford ..... H04R 25/60  
607/1  
D705,936 S \* 5/2014 Lockenwitz ..... D24/174  
D750,043 S \* 2/2016 Birger ..... D14/206  
9,307,311 B2 \* 4/2016 Tran ..... H04R 1/10  
D784,290 S \* 4/2017 Paterson ..... D14/205  
D784,291 S \* 4/2017 Paterson ..... D14/206  
2004/0062410 A1 \* 4/2004 Wagner ..... H04R 25/65  
381/330  
2005/0008178 A1 \* 1/2005 Joergensen ..... H01H 13/84  
381/322  
2005/0259812 A1 \* 11/2005 Chen ..... H04M 1/6066  
379/431  
2010/0290655 A1 \* 11/2010 Takeda ..... H04R 25/602  
381/323

\* cited by examiner

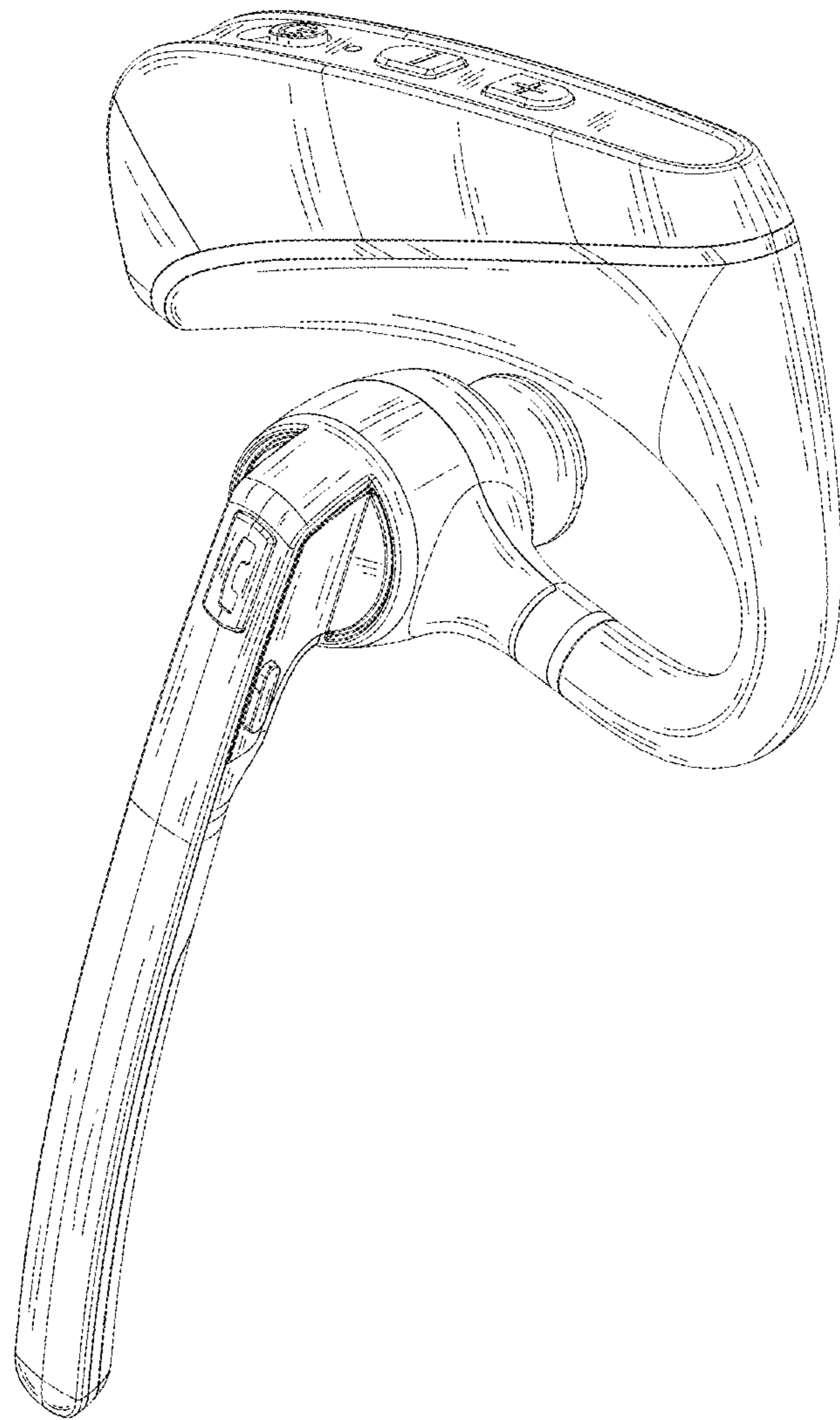


FIG.1

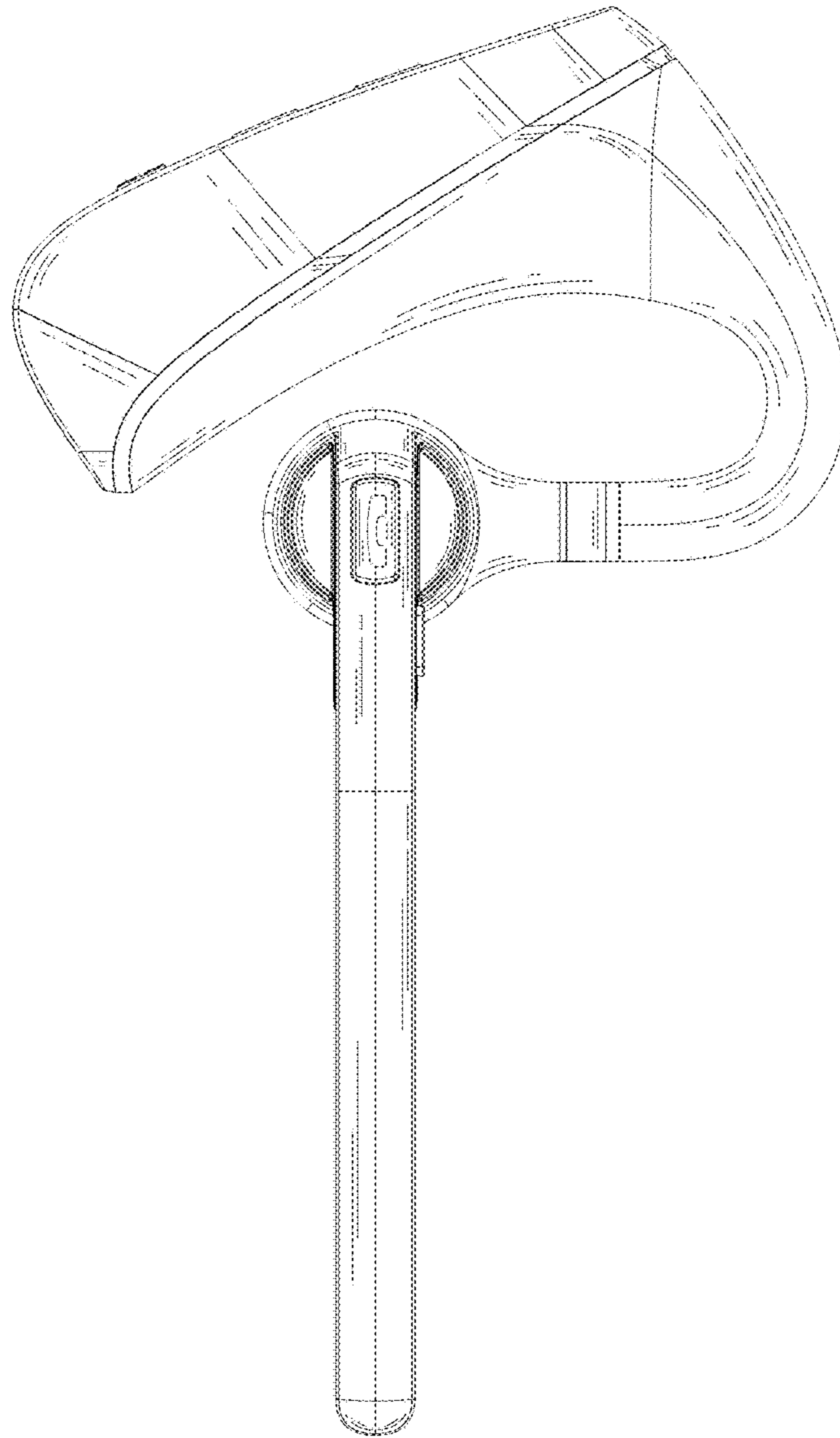


FIG.2

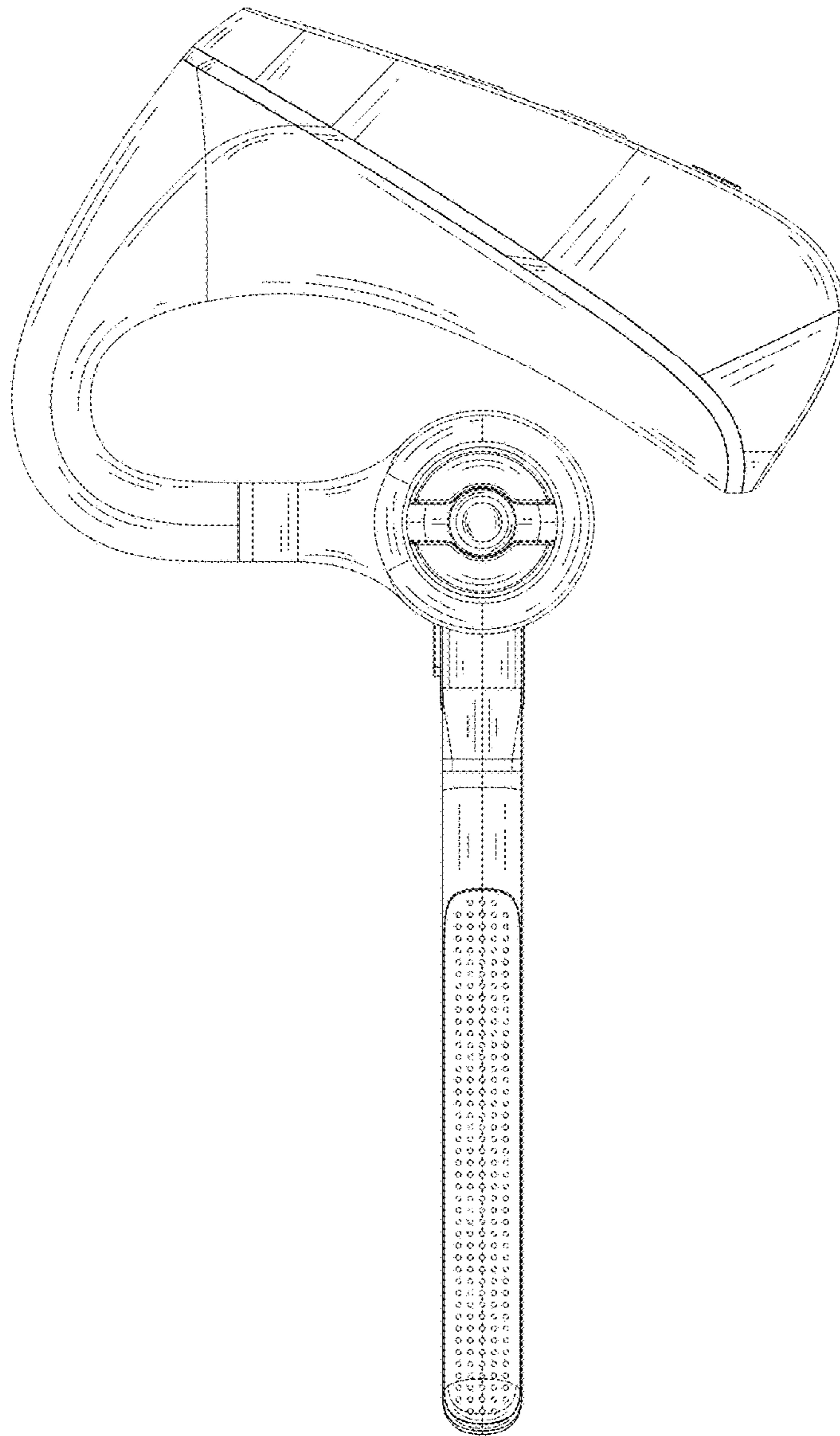


FIG.3

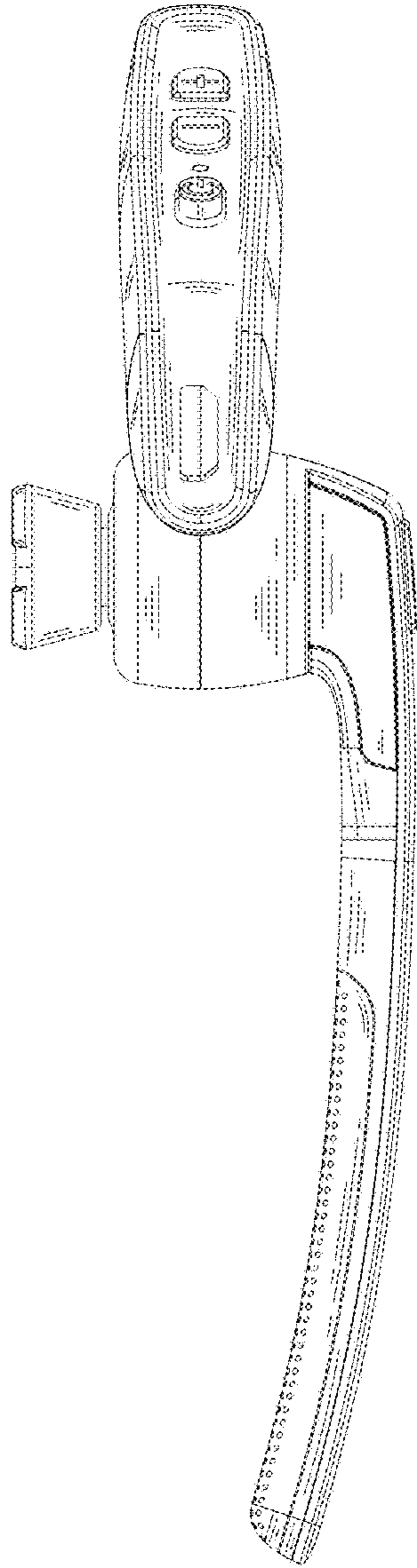


FIG.4

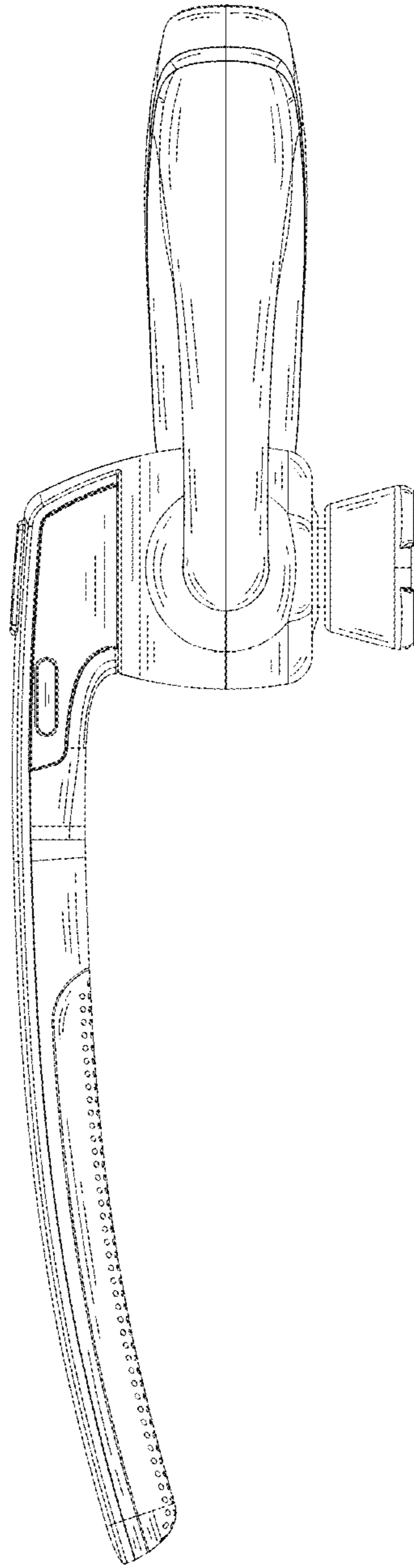


FIG.5

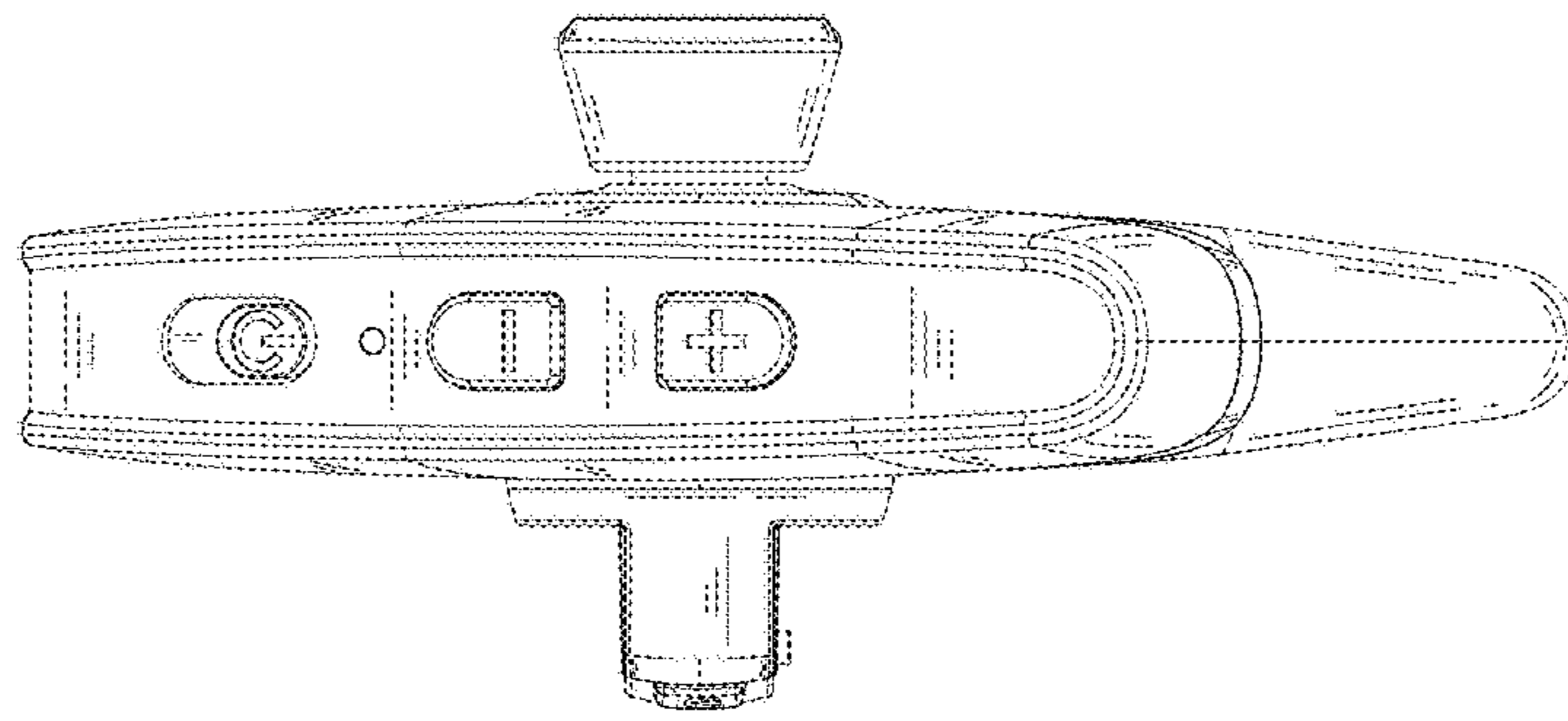


FIG.6



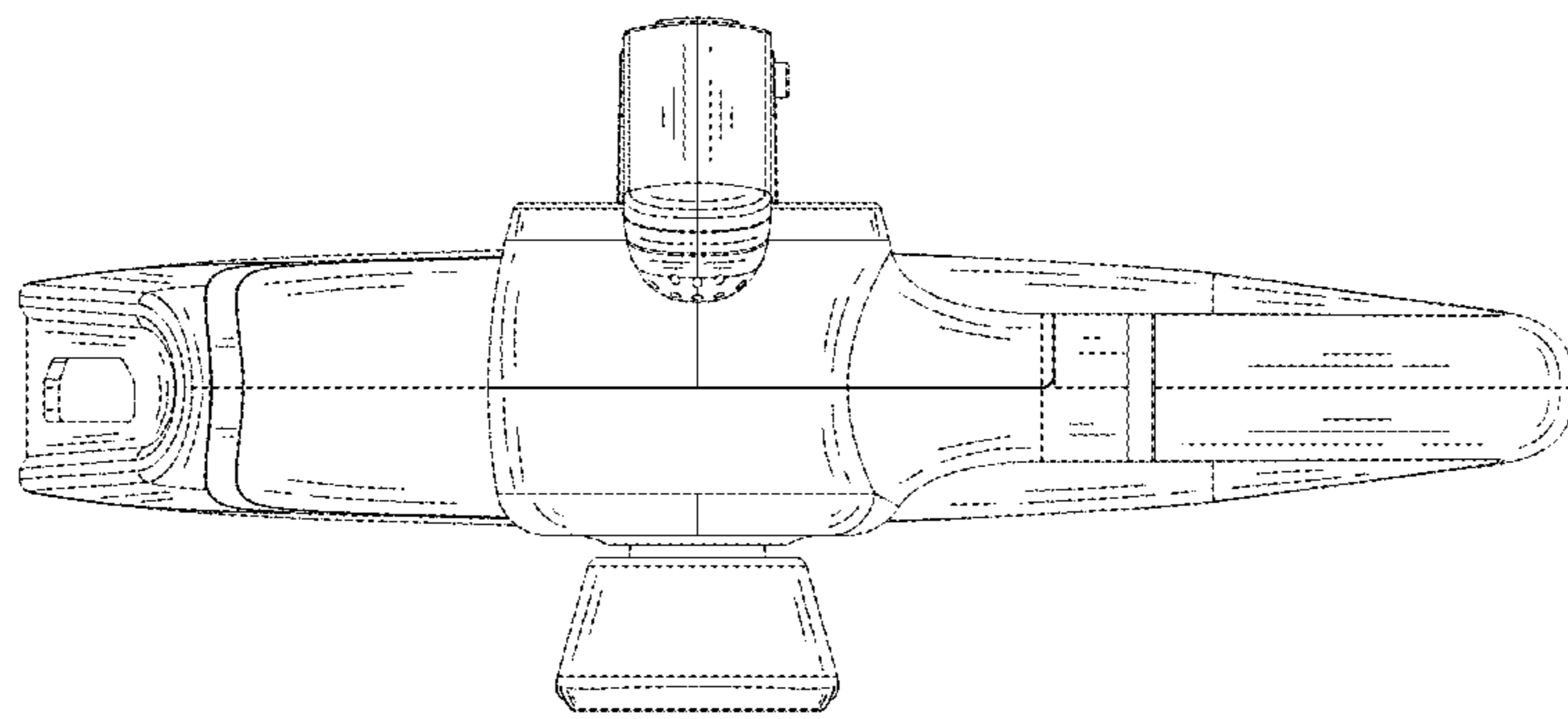


FIG.7