



US00D797075S

(12) **United States Design Patent**
Mauro

(10) **Patent No.:** **US D797,075 S**

(45) **Date of Patent:** **** Sep. 12, 2017**

(54) **HEADPHONE**

(71) Applicant: **Mauro New Media, Inc.**, New York, NY (US)

(72) Inventor: **Charles Lee Mauro**, New York, NY (US)

(73) Assignee: **Mauro New Media, Inc.** NY (US)

(**) Term: **15 Years**

(21) Appl. No.: **29/565,453**

(22) Filed: **May 20, 2016**

(51) **LOC (10) Cl.** **14-01**

(52) **U.S. Cl.**
USPC **D14/205**

(58) **Field of Classification Search**
USPC D14/205, 206, 188, 192; D29/112;
2/209; 181/129, 130, 135; 379/430, 431,
379/370, 375; 381/74, 380, 381, 374,
381/375, 370, 384, 398, 383, 378, 151;
455/90.3, 575.2, 569.1
CPC H04R 1/1066; H04R 1/1016; H04R 5/033;
H04R 5/0335; H04R 1/10; H04R 25/00
See application file for complete search history.

(56) **References Cited**

U.S. PATENT DOCUMENTS

1,555,997 A * 10/1925 Lidberg H04R 1/1066
381/374
1,606,165 A * 11/1926 Glenn H01B 7/04
123/633
1,648,832 A * 11/1927 Urban H04R 1/1008
181/129
1,651,623 A * 12/1927 Obergfell H04R 1/1066
381/374
2,978,543 A * 4/1961 Kennedy H04S 5/00
381/17
3,562,816 A * 2/1971 Hutchinson A61F 11/14
2/209

3,796,840 A * 3/1974 Ohta H04R 1/1075
381/19
3,984,885 A * 10/1976 Yoshimura H04R 1/1075
381/19
D254,616 S * 4/1980 Tabata D14/205
D270,634 S * 9/1983 Ungar D14/205
D287,849 S * 1/1987 O'Malley D14/206
4,689,822 A * 8/1987 Houng H04R 1/1066
381/371
D292,205 S * 10/1987 Kikutani 381/378

(Continued)

OTHER PUBLICATIONS

“Studio Headphones | Beats Studio with Built-In Remote,” Beats Studio, Feb. 9, 2014, pp. 1-2, available at: <https://web.archive.org/web/20140209193423/http://www.beatsbydre.com/headphones/studio/black/900-00059-01.html>.

(Continued)

Primary Examiner — Paula Greene

(74) *Attorney, Agent, or Firm* — Finnegan, Henderson, Farabow, Garrett, Dunner, LLP

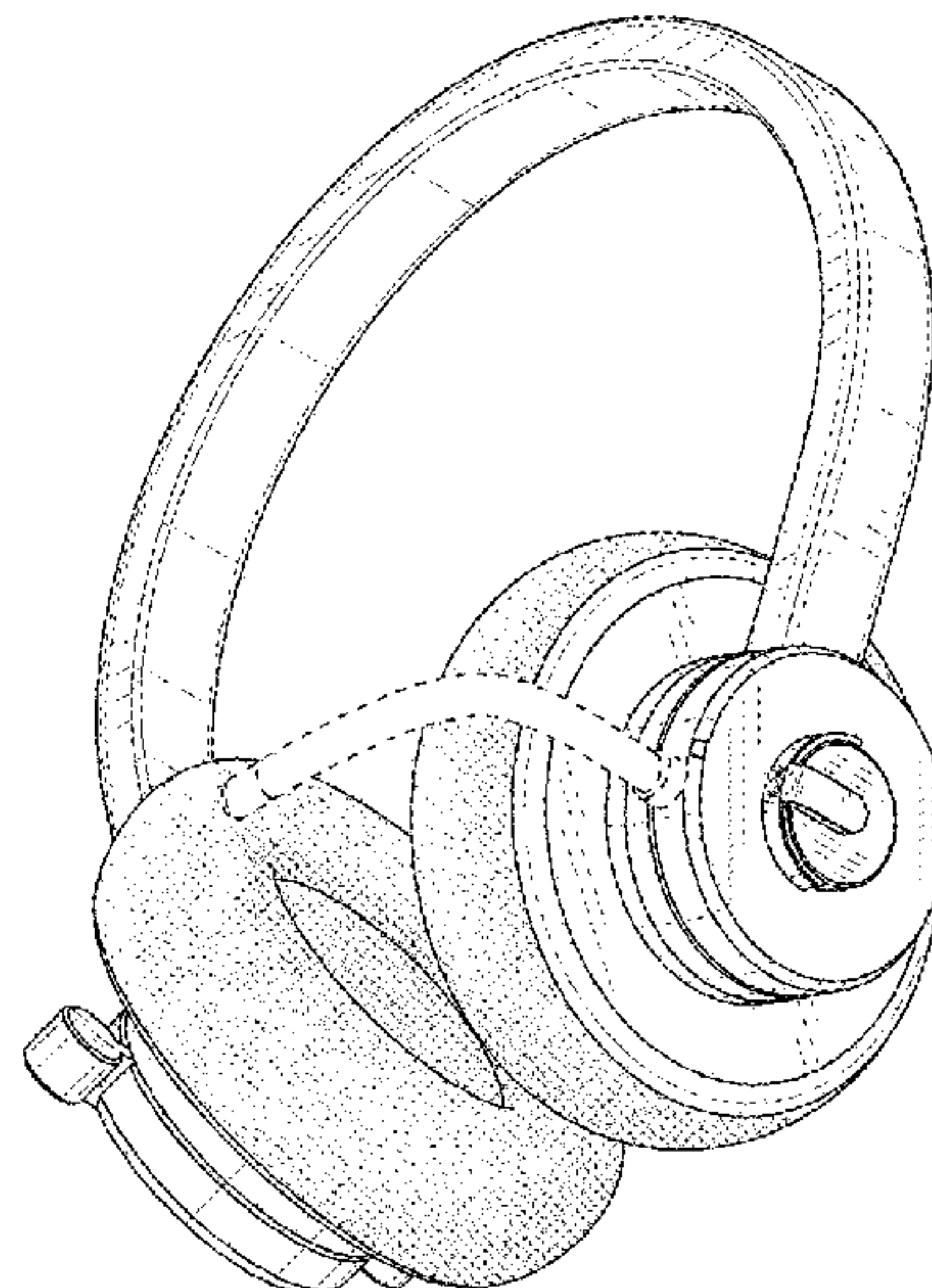
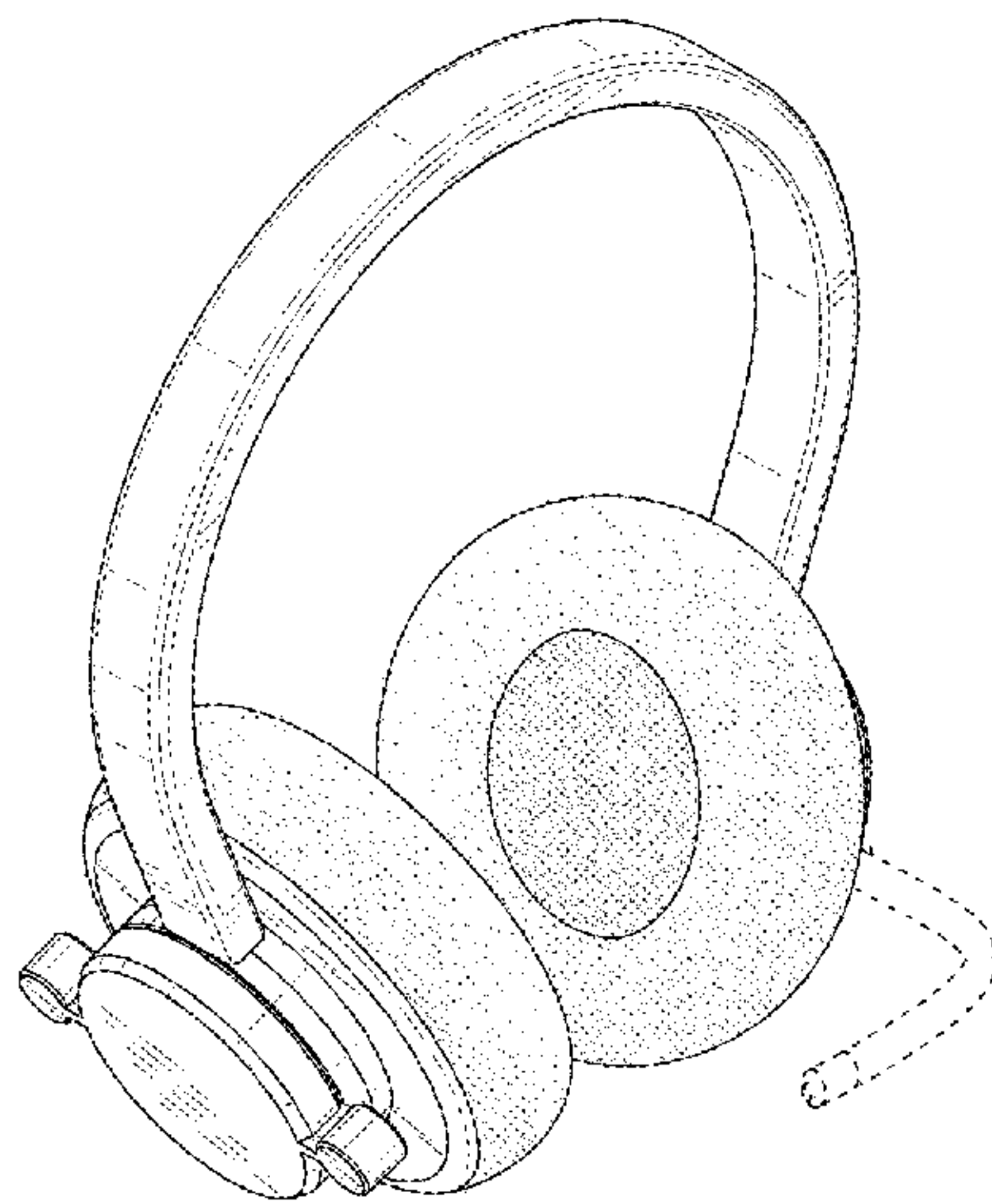
(57) **CLAIM**

The ornamental design for headphone, as shown and described.

DESCRIPTION

FIG. 1 is a top, front, left perspective view of headphone showing my new design;
FIG. 2 is a bottom, front, right perspective view thereof;
FIG. 3 is a front elevation view thereof;
FIG. 4 is a rear elevation view thereof;
FIG. 5 is a left elevation view thereof;
FIG. 6 is a right elevation view thereof;
FIG. 7 is a top plan view thereof; and,
FIG. 8 is a bottom plan view thereof.
The dash-dash broken lines shown in the drawings represent parts of the headphone that form no part of the claimed design.

1 Claim, 8 Drawing Sheets



(56)

References Cited

U.S. PATENT DOCUMENTS

D297,324 S * 8/1988 Kohno D14/205
 D301,715 S * 6/1989 Camens D14/192
 D319,241 S * 8/1991 Daido D14/205
 D321,879 S * 11/1991 Emmerling D14/188
 5,095,382 A * 3/1992 Abe H04B 10/114
 320/107
 D345,162 S * 3/1994 Yamatogi D14/205
 5,369,857 A * 12/1994 Sacherman H04R 5/0335
 29/594
 5,640,458 A * 6/1997 Nishiguchi G11C 7/16
 381/2
 D386,181 S * 11/1997 Fisher D14/192
 5,740,254 A * 4/1998 Thompson H04R 1/1041
 381/151
 D394,062 S * 5/1998 Chun D14/192
 D402,659 S * 12/1998 Suzuki D14/192
 D405,449 S * 2/1999 Nakamura D14/205
 D449,034 S * 10/2001 Weikel D14/205
 D453,015 S * 1/2002 Yuyama D14/192
 D476,639 S * 7/2003 Bergeron D14/205
 D484,485 S * 12/2003 Matsuoka D14/205
 D491,163 S * 6/2004 Green D14/205
 D504,414 S * 4/2005 Yoshida D14/192
 D510,335 S * 10/2005 Suzuki D14/205
 D540,302 S * 4/2007 Hagiwara D14/205
 D549,688 S * 8/2007 Suzuki D14/205
 D557,684 S * 12/2007 Pundsack D14/205
 7,406,172 B2 * 7/2008 Amae H04M 1/05
 379/430
 D583,800 S * 12/2008 Jaakkola D14/205
 D592,182 S * 5/2009 Sanguinetti D14/205
 D592,640 S * 5/2009 Tkachuk D14/205

D597,070 S * 7/2009 Zheng D14/205
 7,720,246 B2 * 5/2010 Wang H04R 5/0335
 381/370
 D625,705 S * 10/2010 Ohori D14/205
 D632,668 S * 2/2011 Brunner D14/205
 7,940,924 B2 * 5/2011 Amae H04M 1/05
 379/430
 D662,912 S * 7/2012 Iijima D14/205
 D664,118 S * 7/2012 Tappeiner D14/205
 D673,522 S * 1/2013 Iijima D14/205
 D678,860 S * 3/2013 Hagelin D14/205
 D684,559 S * 6/2013 Groset D14/205
 D710,822 S * 8/2014 Gan H04R 1/1066
 D14/205
 D711,347 S * 8/2014 Gan H04R 1/1066
 D14/205
 D757,680 S * 5/2016 Kelly D14/205
 2005/0220318 A1 * 10/2005 Han H04R 1/1008
 381/371

OTHER PUBLICATIONS

“On-Ear Headphones | NewBeats Solo Colours with Built-In Mic,”
 Beats SoloHd, Feb. 9, 2014, pp. 1-2 available at: <https://web.archive.org/web/20140209184816/http://www.beatsbydre.com/headphones/matte-solohd/matte-black/900-00153-01.html>.
 “Noise Cancelling Headphones | Tune Out the Noise with Beats Pro,”
 Beats Pro, Feb. 9, 2014, pp. 1-2, available at: <https://web.archive.org/web/20140209185019/http://www.beatsbydre.com/headphones/pro/beats-pro.html>.
 “Product Comparison Tool | Beats by Dr. Dre,” Jan. 7, 2014, p. 1,
 available at: https://web.archive.org/web/20140107050453/http://www.beatsbydre.com/product_comparison.html#tab1.

* cited by examiner

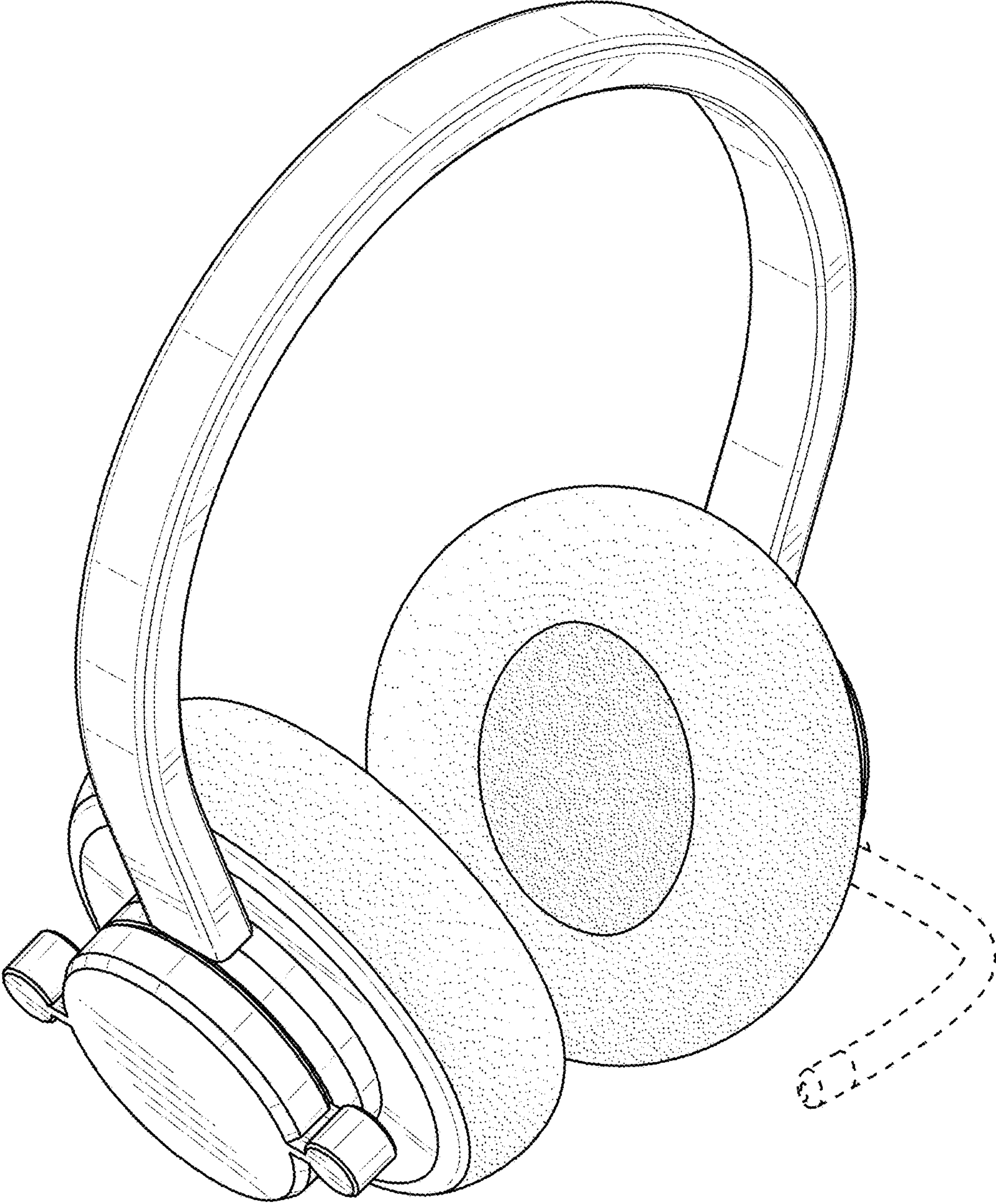


FIG. 1

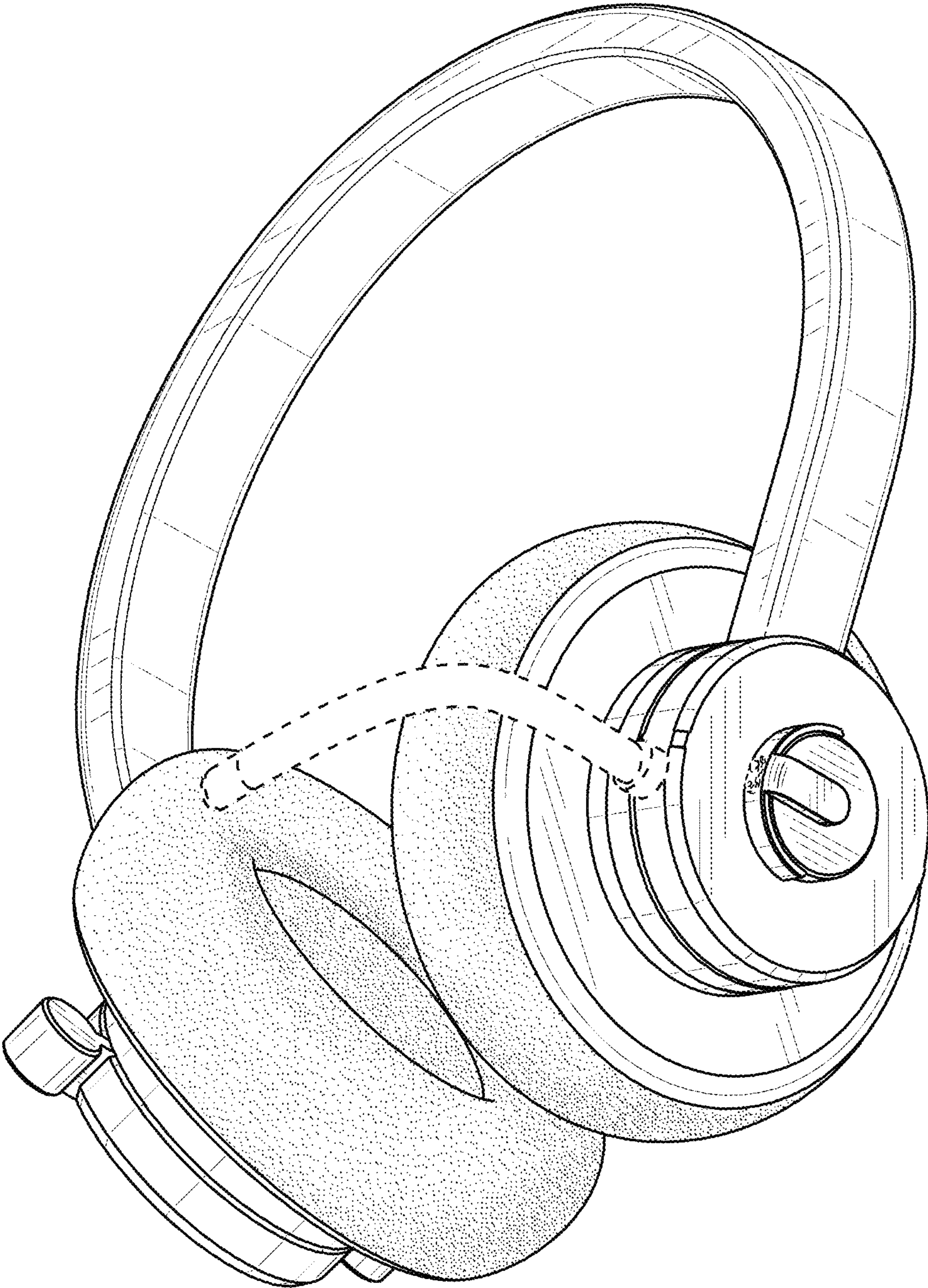


FIG. 2

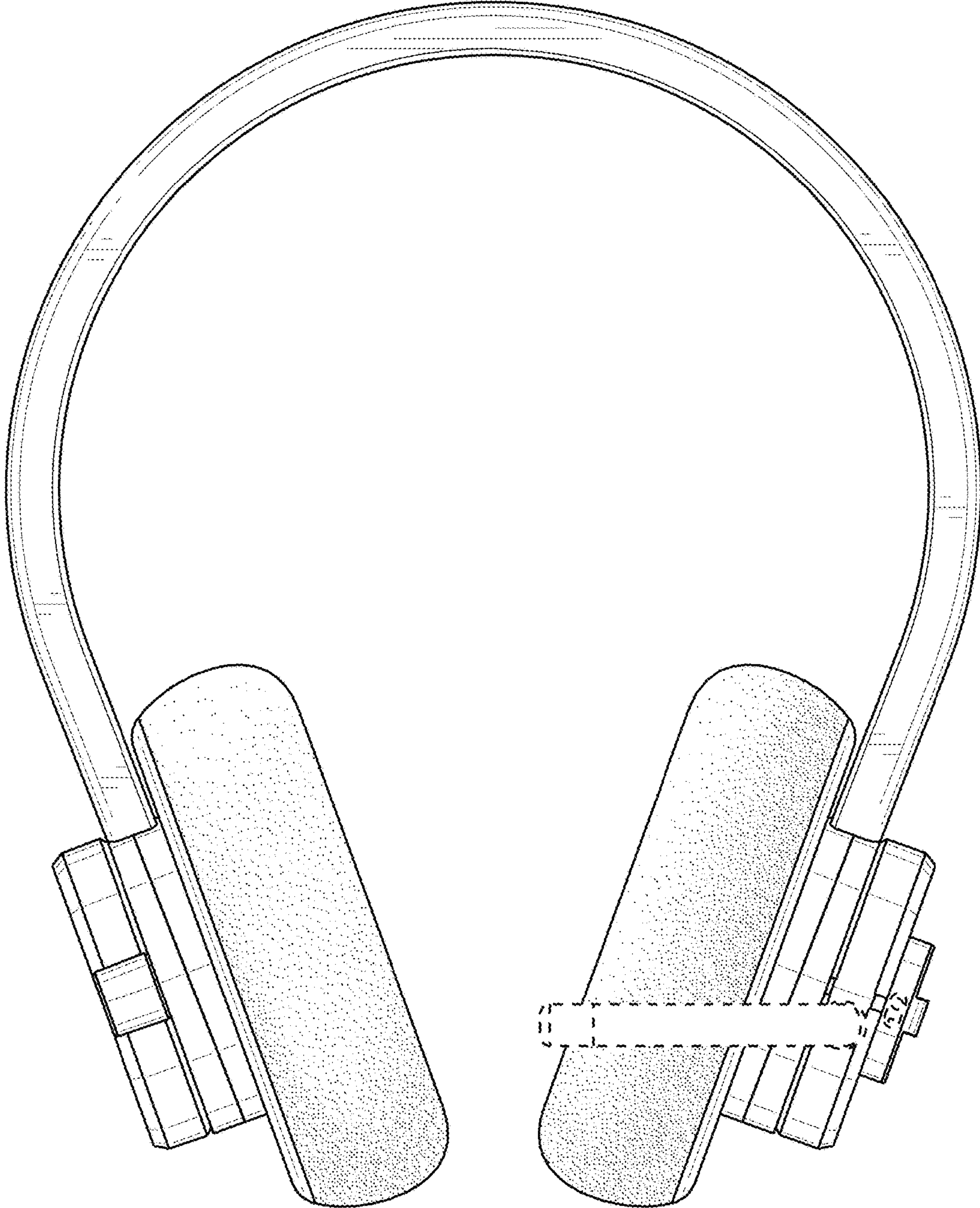


FIG. 3

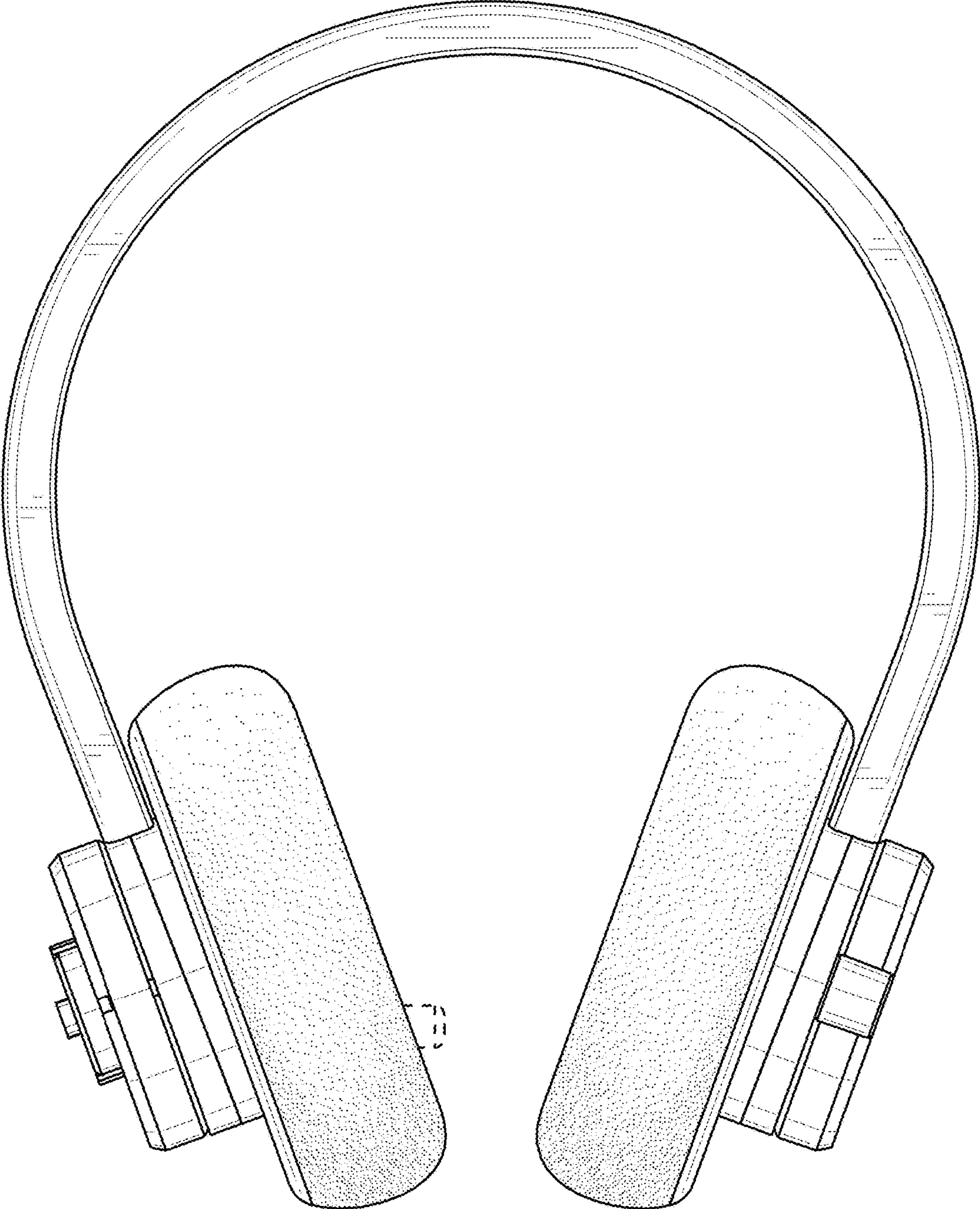


FIG. 4

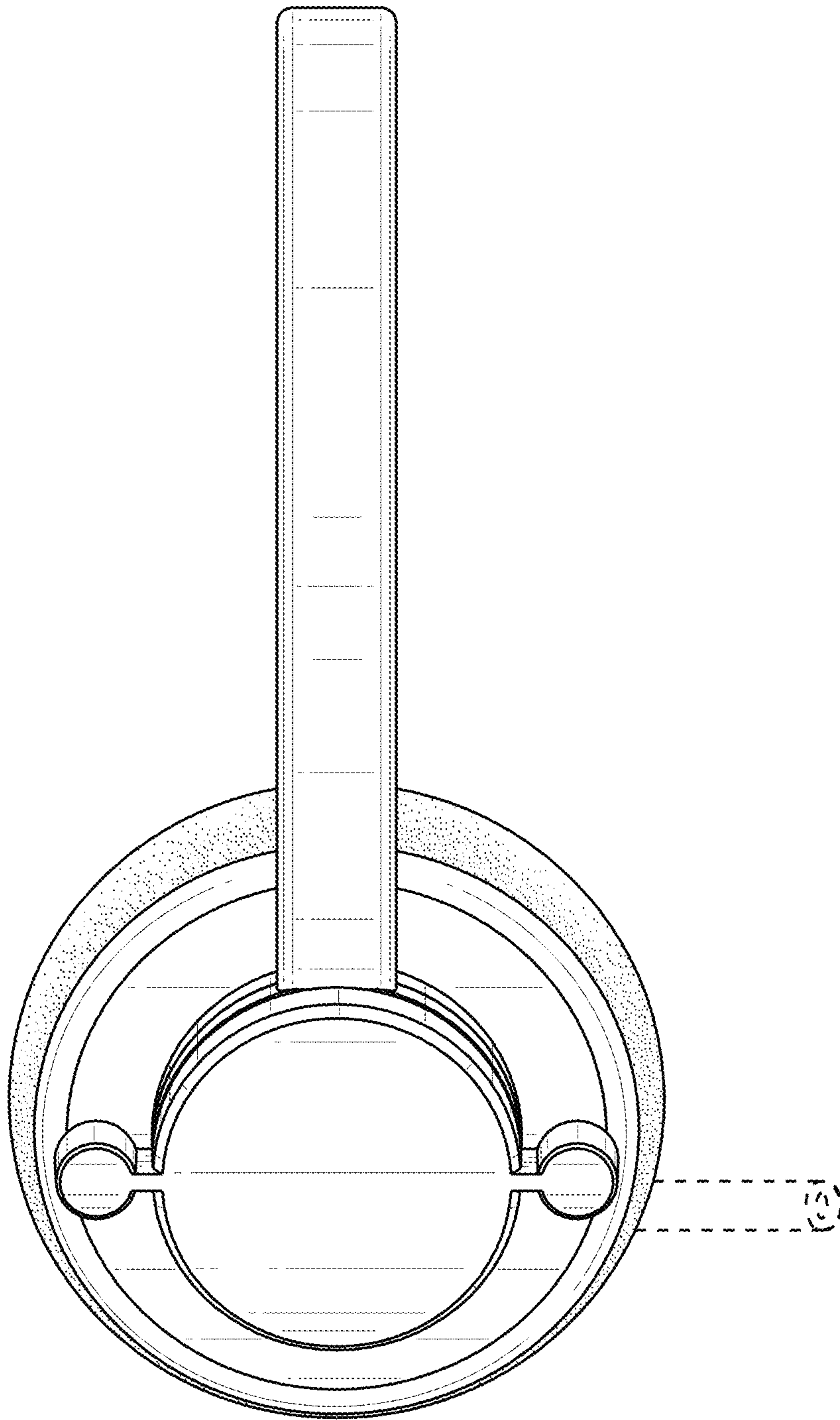


FIG. 5

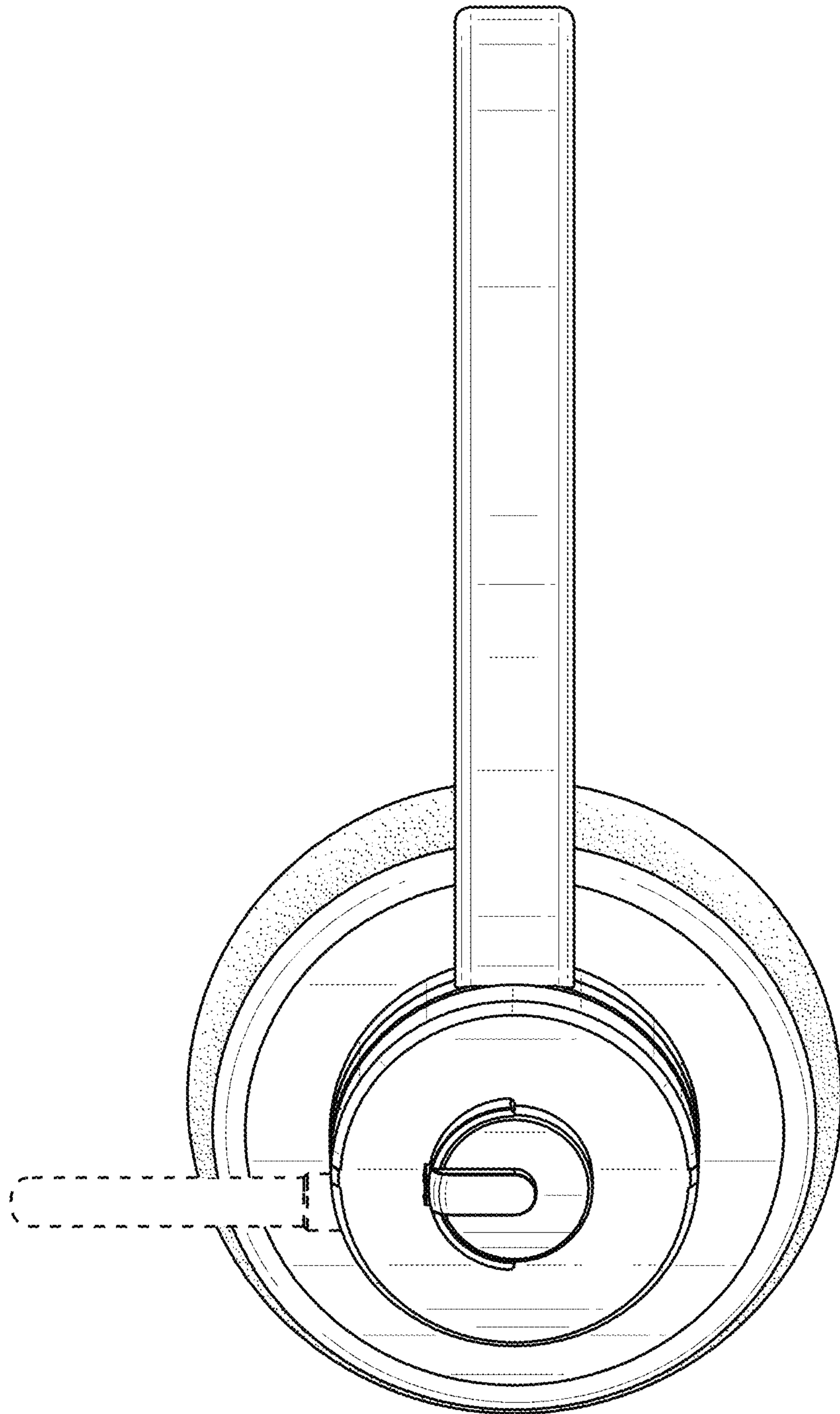


FIG. 6

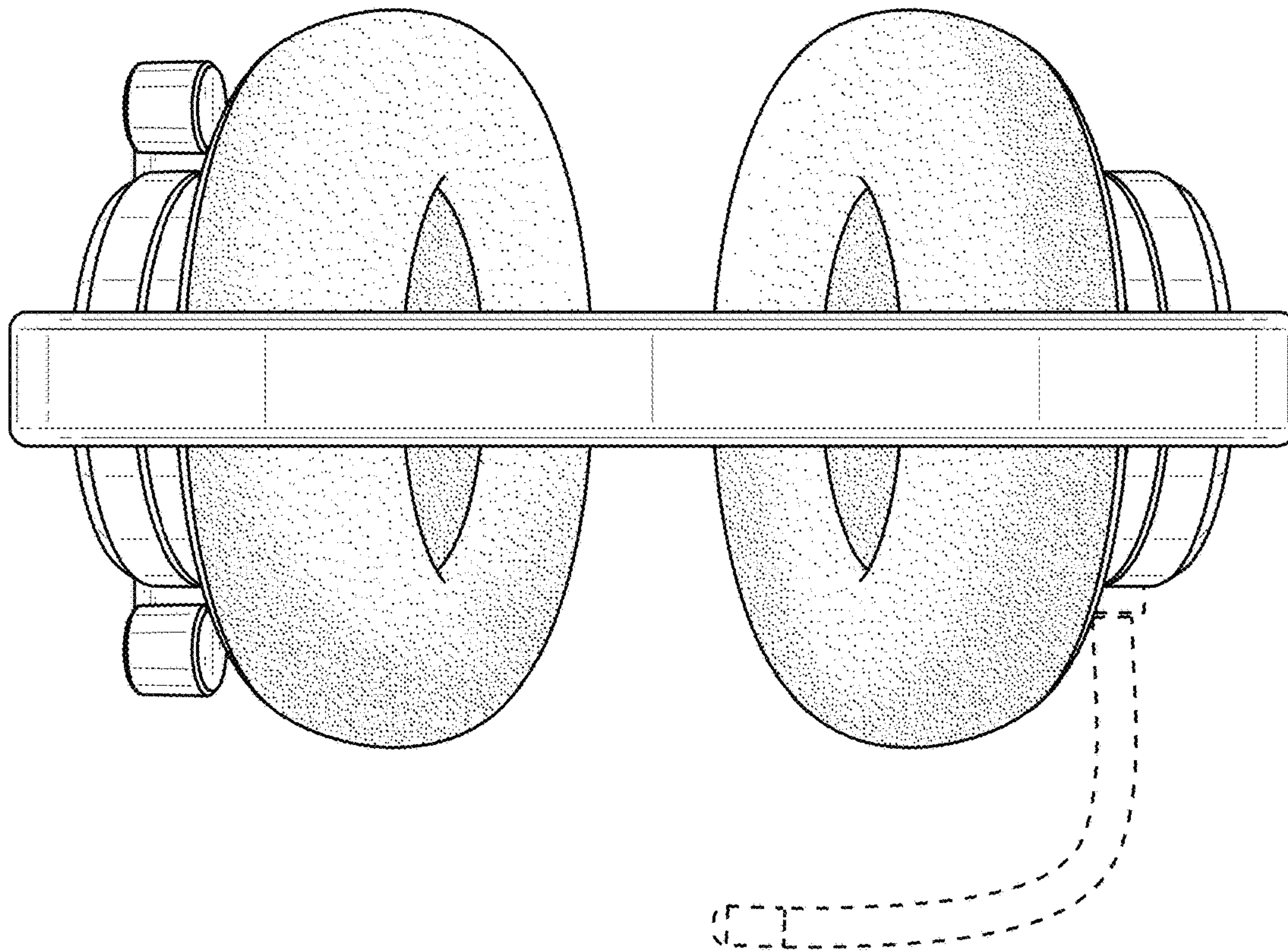


FIG. 7

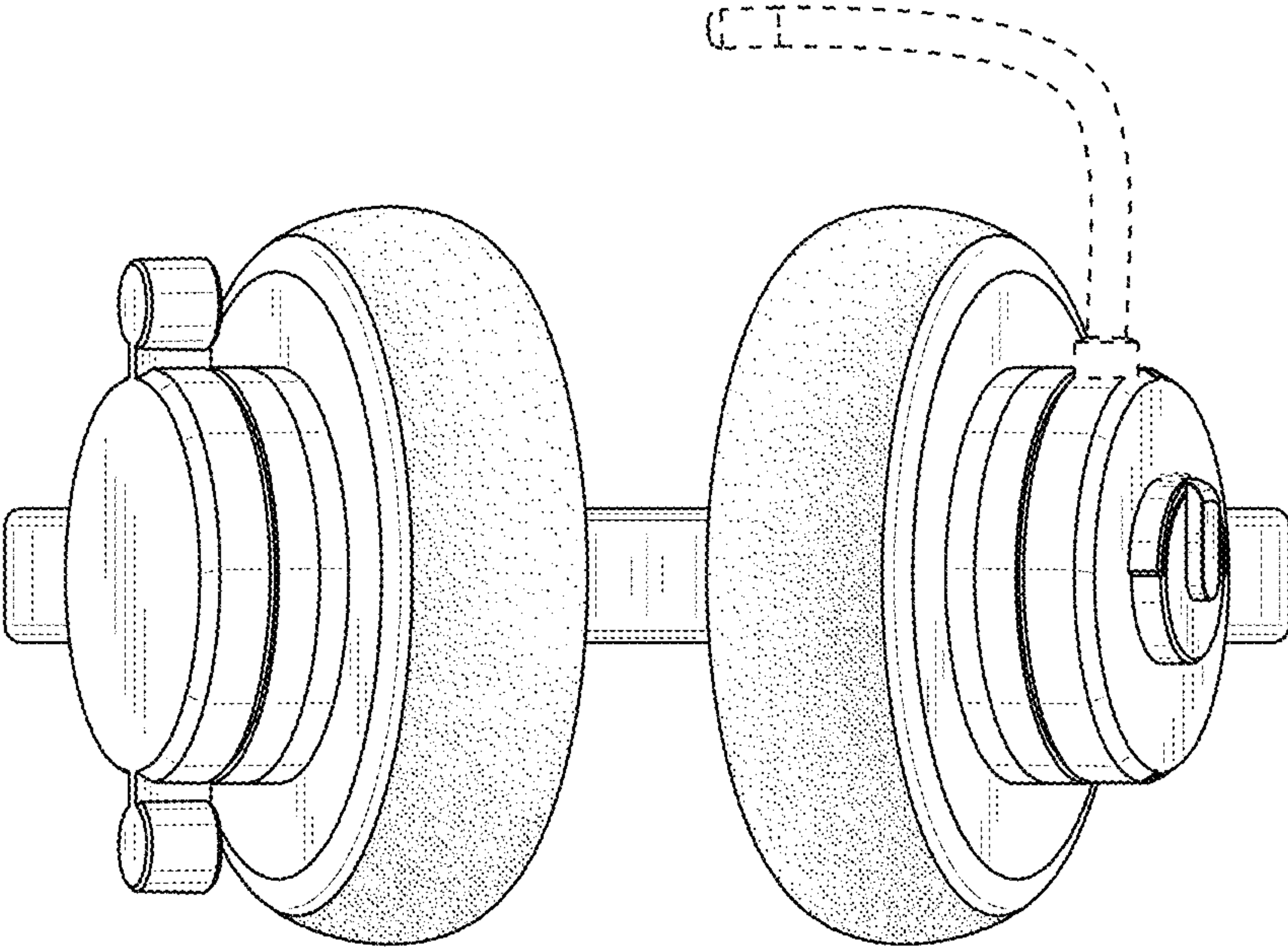


FIG. 8