



US00D797074S

(12) **United States Design Patent**
Martin et al.

(10) **Patent No.:** **US D797,074 S**
(45) **Date of Patent:** **** Sep. 12, 2017**

- (54) **BIOINTERFACE HEADSET**
- (71) Applicant: **Halo Neuro, Inc.**, San Francisco, CA (US)
- (72) Inventors: **Matty Martin**, San Francisco, CA (US); **Tal Bar-Or**, San Francisco, CA (US); **Colin Davis**, San Francisco, CA (US); **Victoria Hammett**, San Francisco, CA (US); **Daniel Chao**, San Francisco, CA (US); **Brett Wingeier**, San Francisco, CA (US); **David Kaufman**, San Francisco, CA (US)
- (73) Assignee: **Halo Neuro, Inc.**, San Francisco, CA (US)
- (**) Term: **15 Years**
- (21) Appl. No.: **29/553,513**
- (22) Filed: **Feb. 2, 2016**
- (51) **LOC (10) Cl.** **14-01**
- (52) **U.S. Cl.**
USPC **D14/205**
- (58) **Field of Classification Search**
USPC D14/205; D29/112; 2/209; 181/129, 181/130, 135; 379/430, 431; 381/380, 381/381, 374, 370, 74; 600/13, 15, 544
CPC H04R 1/1066; H04R 25/00; H04R 1/02; H04R 1/10; H04R 1/105; H04R 1/1016; H04R 5/0335; A61N 2/00; A61N 2/006
See application file for complete search history.

(56) **References Cited**

U.S. PATENT DOCUMENTS

- 1,606,165 A * 11/1926 Glenn H01B 7/04
123/633
- 3,104,398 A * 9/1963 Palmaer A61F 11/14
2/209
- 3,796,840 A * 3/1974 Ohta H04R 1/1075
381/19

- 3,984,636 A * 10/1976 Turner H04R 5/033
381/19
- 3,984,885 A * 10/1976 Yoshimura H04R 5/033
381/19
- D286,632 S * 11/1986 Teunis D14/205
- D358,390 S * 5/1995 Hayashi D14/205
- 5,740,254 A * 4/1998 Thompson H04R 1/1041
381/151
- D406,140 S * 2/1999 Hall D14/205
- 6,081,604 A * 6/2000 Hikichi H04R 1/083
381/124

(Continued)

Primary Examiner — Paula Greene

(74) *Attorney, Agent, or Firm* — Jeffrey Schox; Ivan Wong

(57) **CLAIM**

The ornamental design for biointerface headset, as shown and described.

DESCRIPTION

FIG. 1 is an isometric view, from the front left, of the biointerface headset.

FIG. 2 is an isometric view, from the back right, of the biointerface headset, the opposite central circular member is not part of the claimed design.

FIG. 3 is an elevation view of the front of the biointerface headset.

FIG. 4 is a plan view of the bottom of the biointerface headset.

FIG. 5 is a plan view of the top of the biointerface headset.

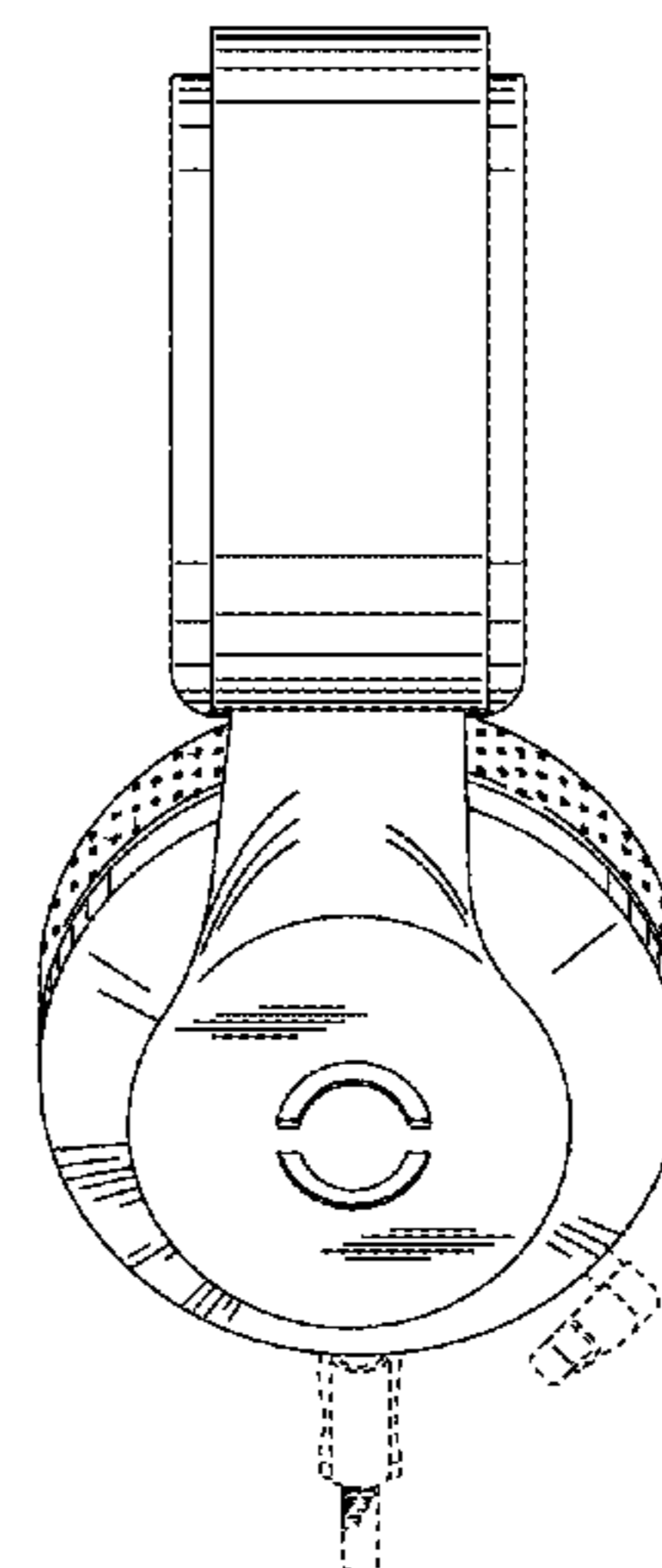
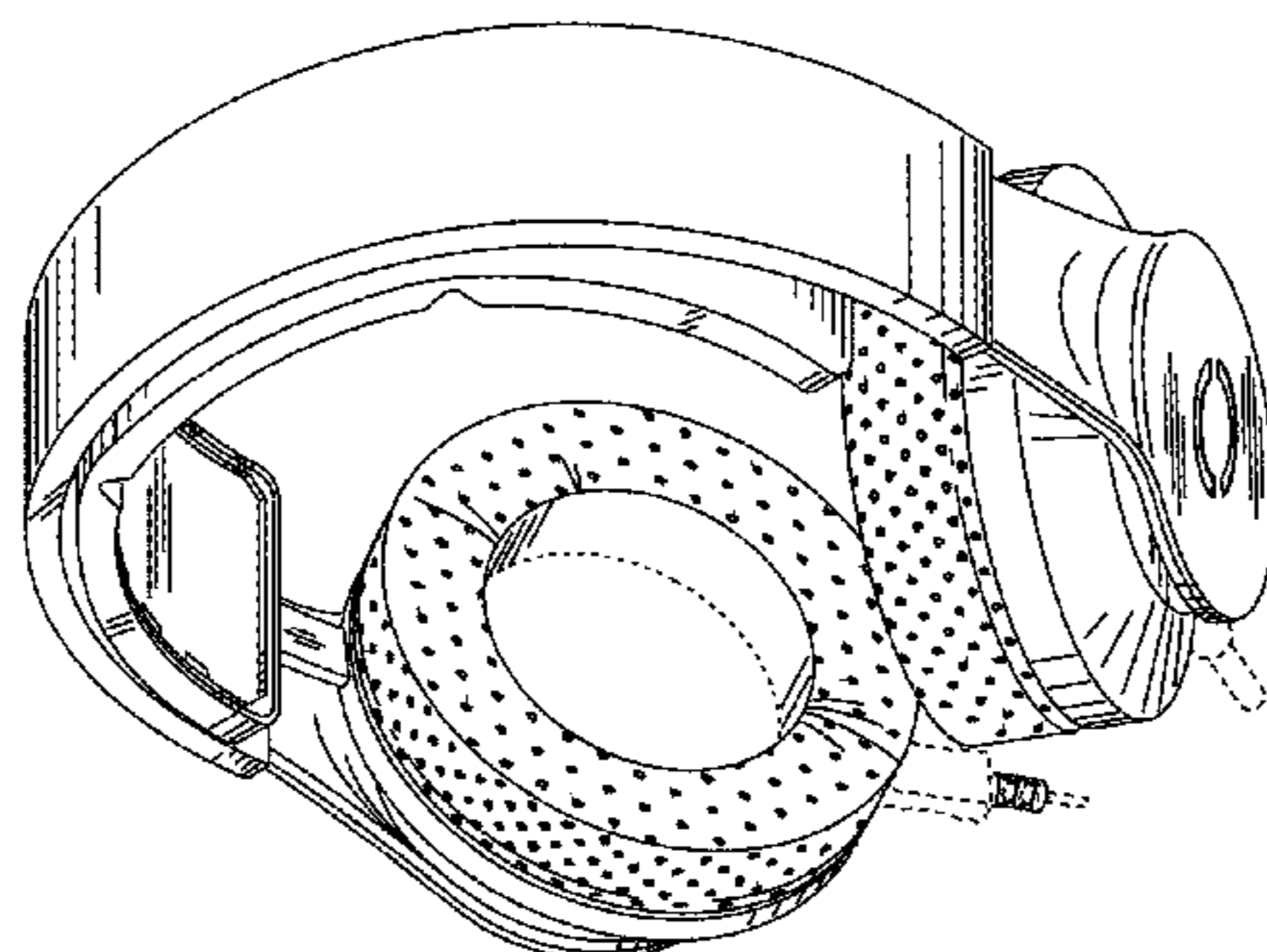
FIG. 6 is an elevation view of the back of the biointerface headset.

FIG. 7 is an elevation view of the left of the biointerface headset; and,

FIG. 8 is an elevation view of the right of the biointerface headset.

The broken lines depict environment that forms no part of the claimed design.

1 Claim, 4 Drawing Sheets



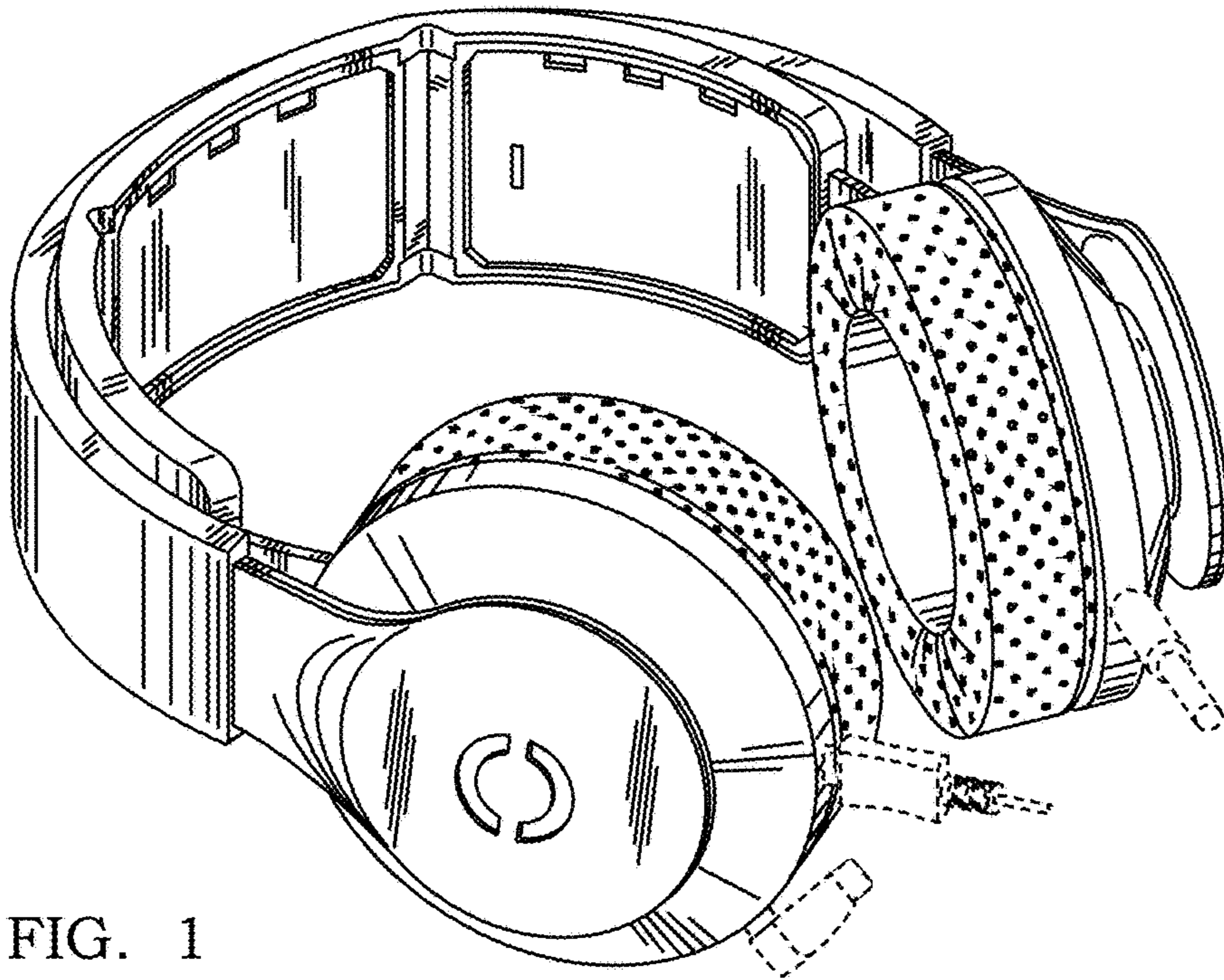


FIG. 1

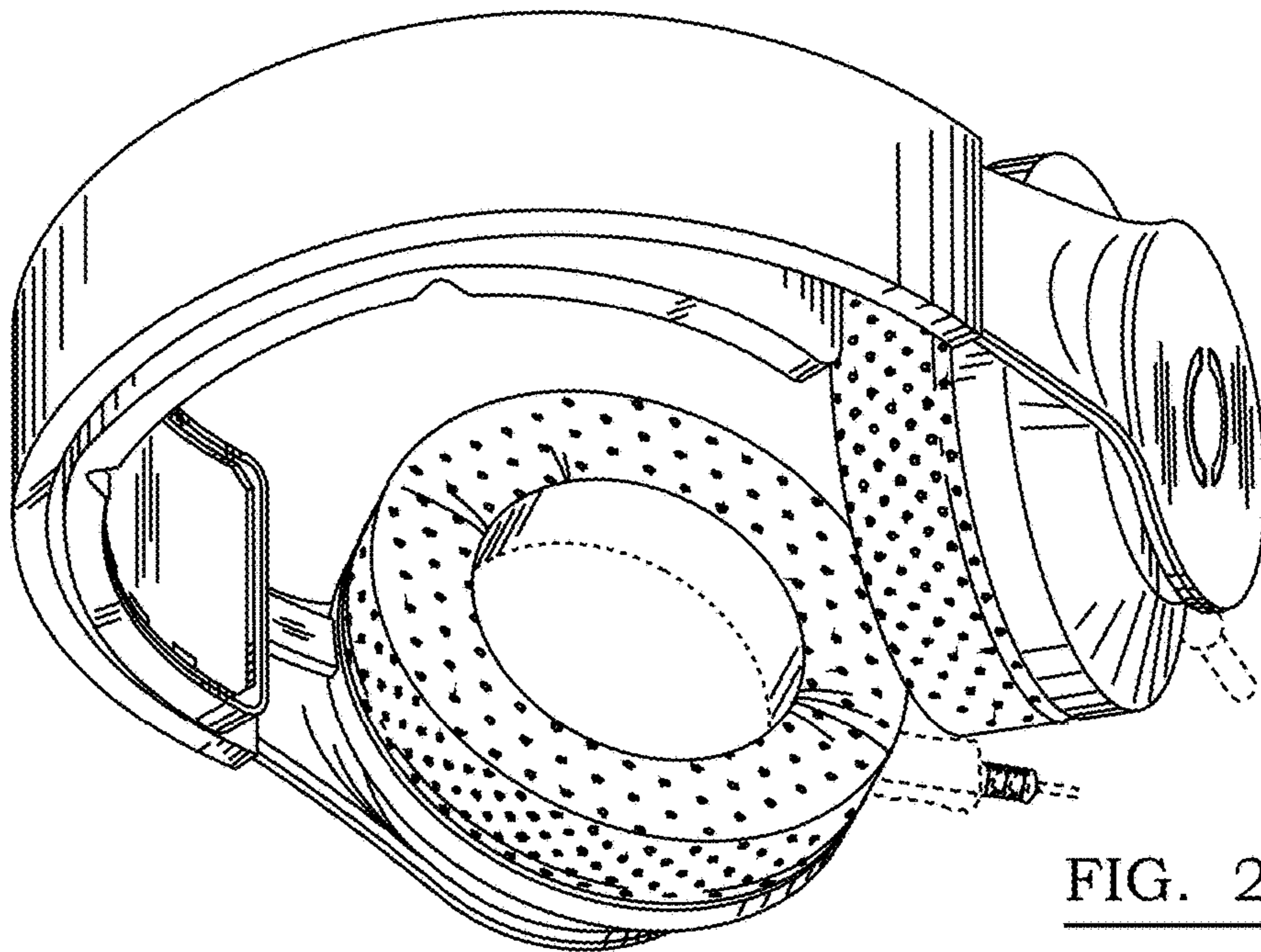


FIG. 2

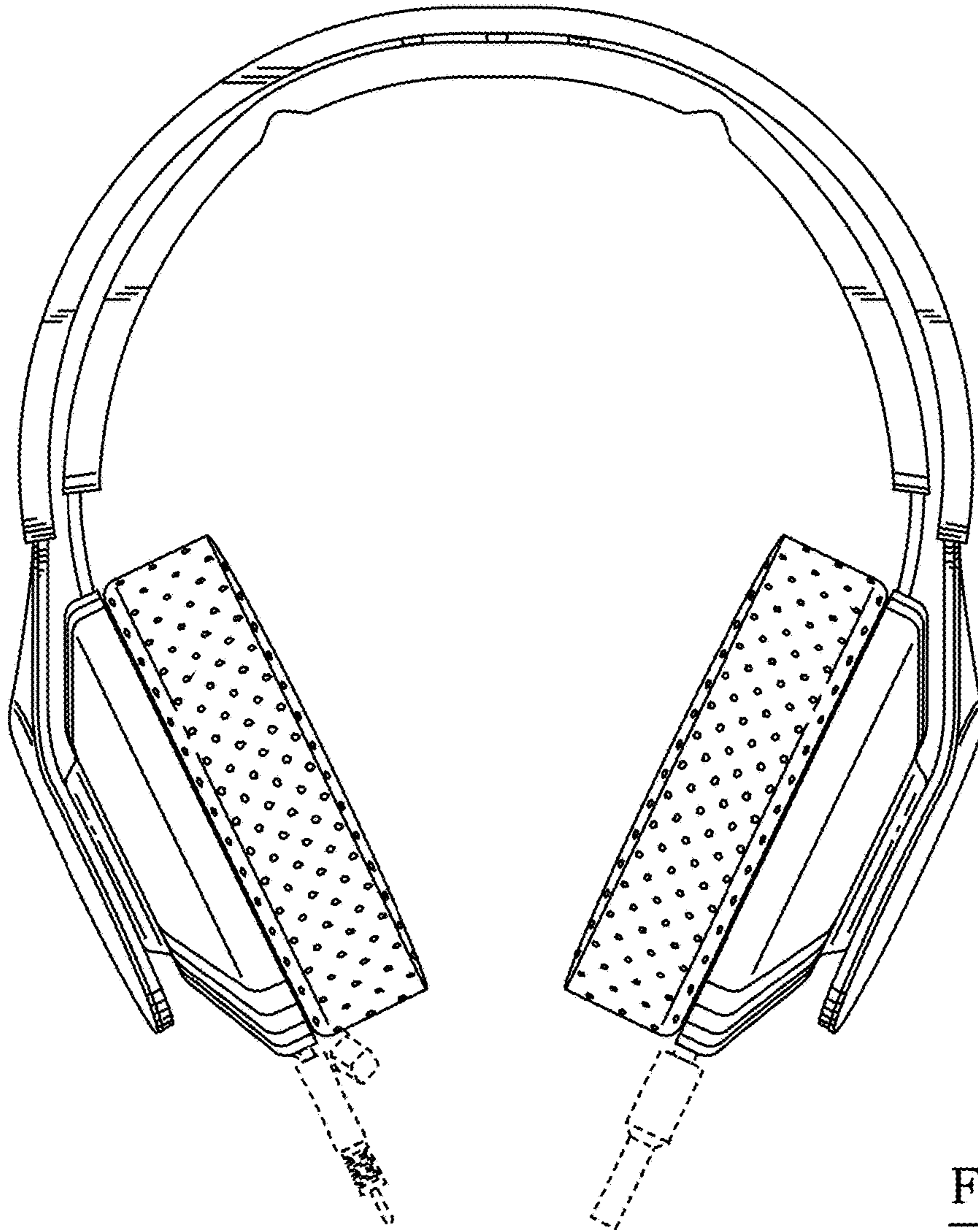


FIG. 3

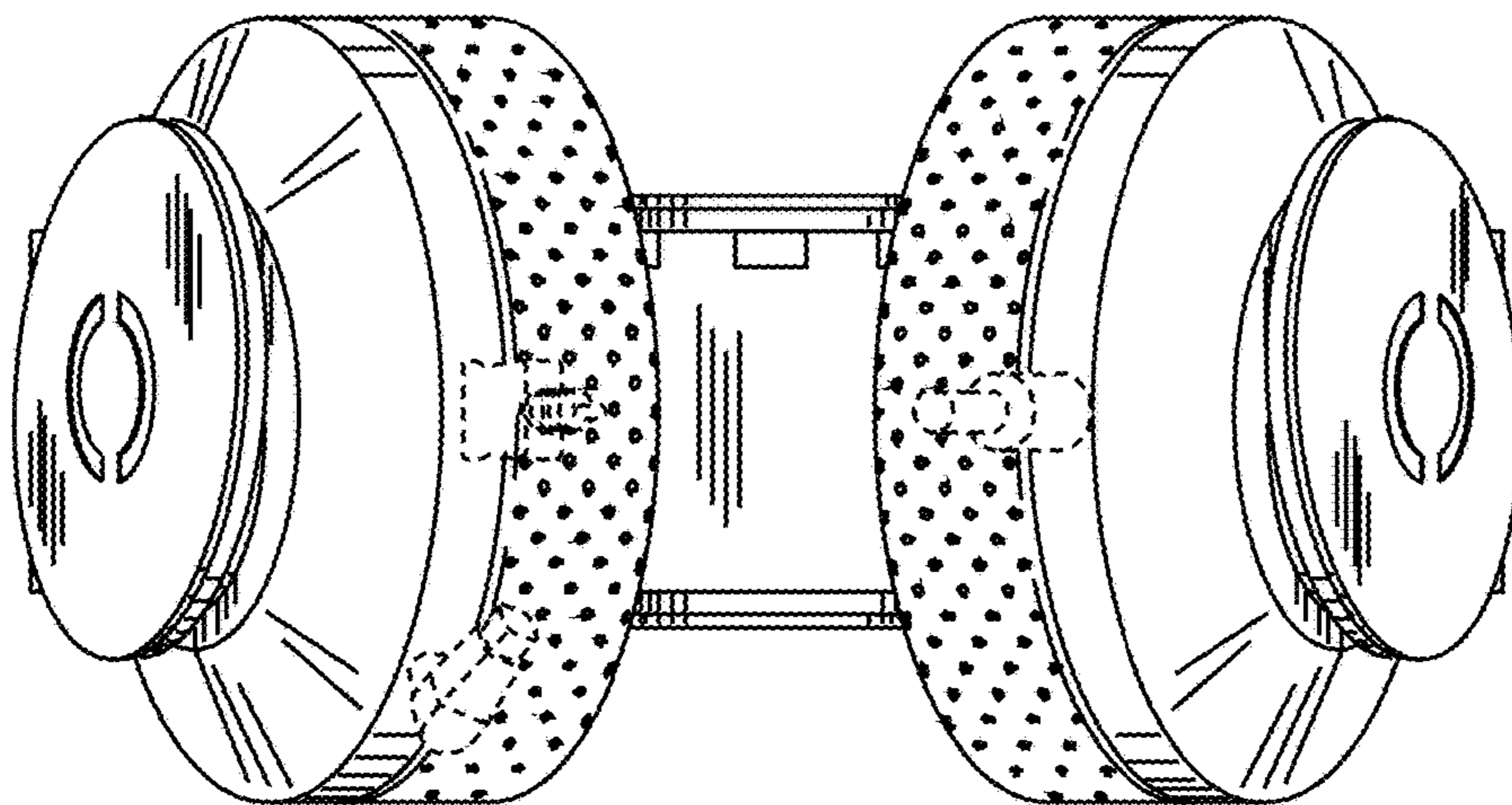


FIG. 4

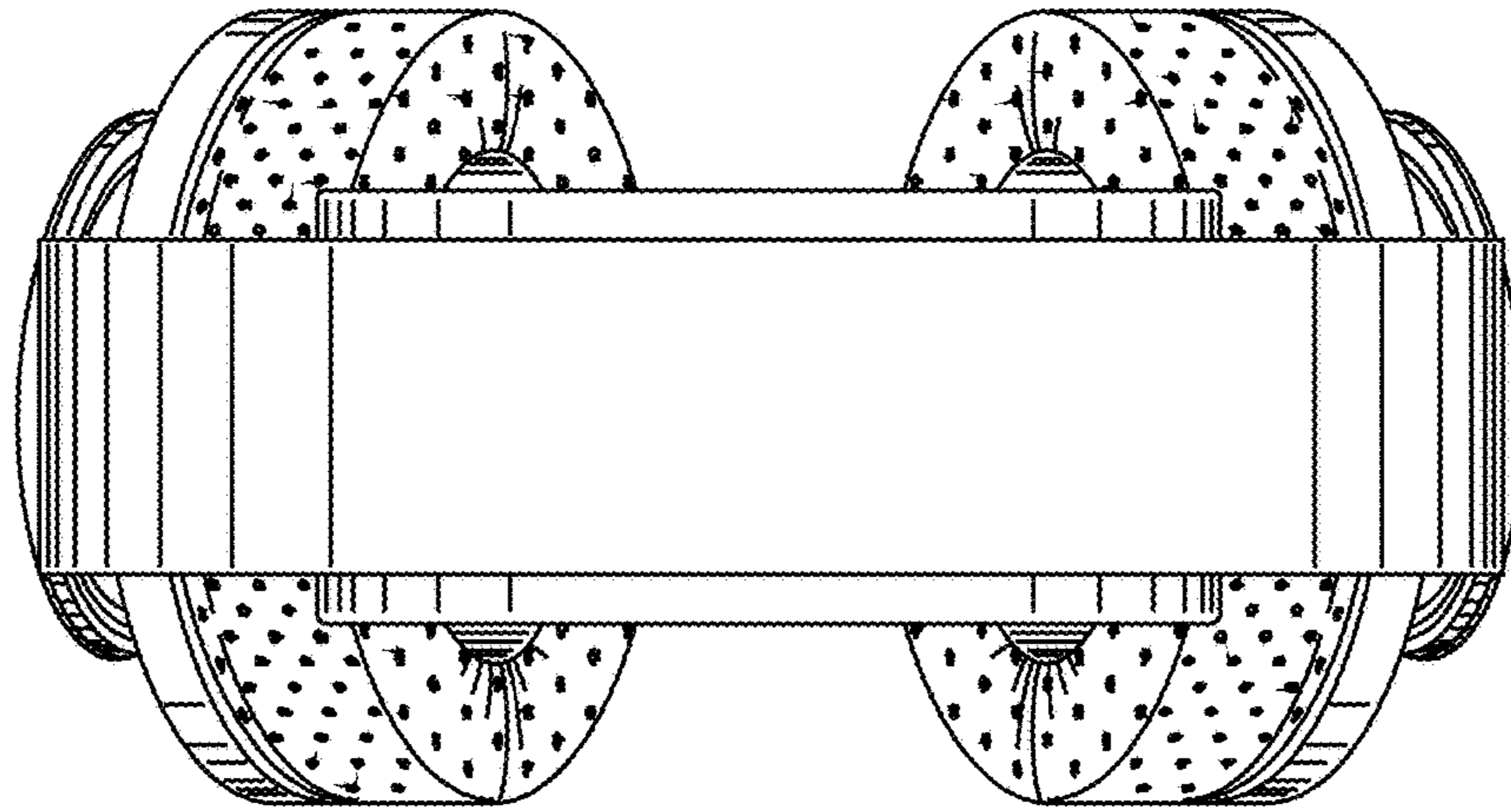


FIG. 5

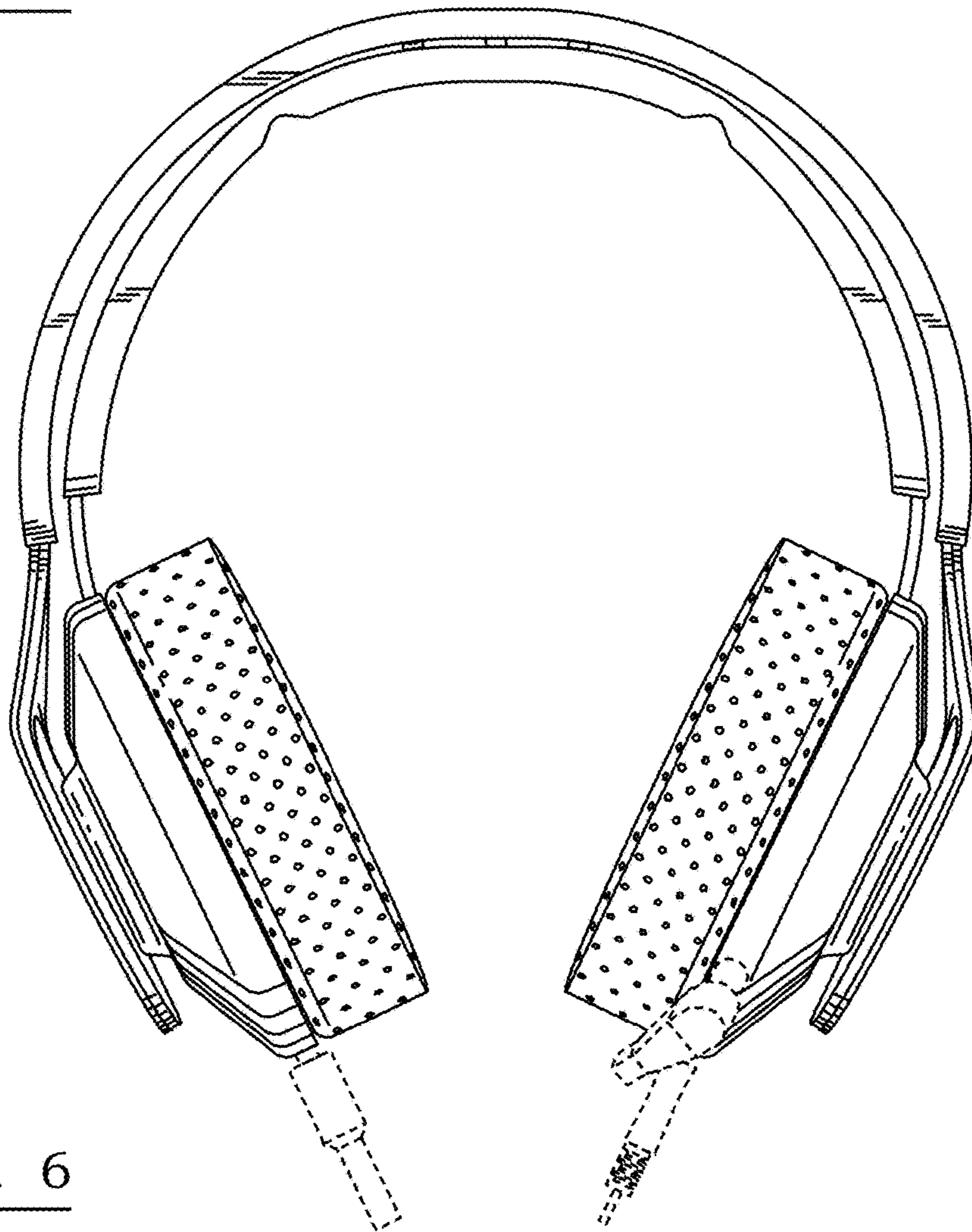


FIG. 6

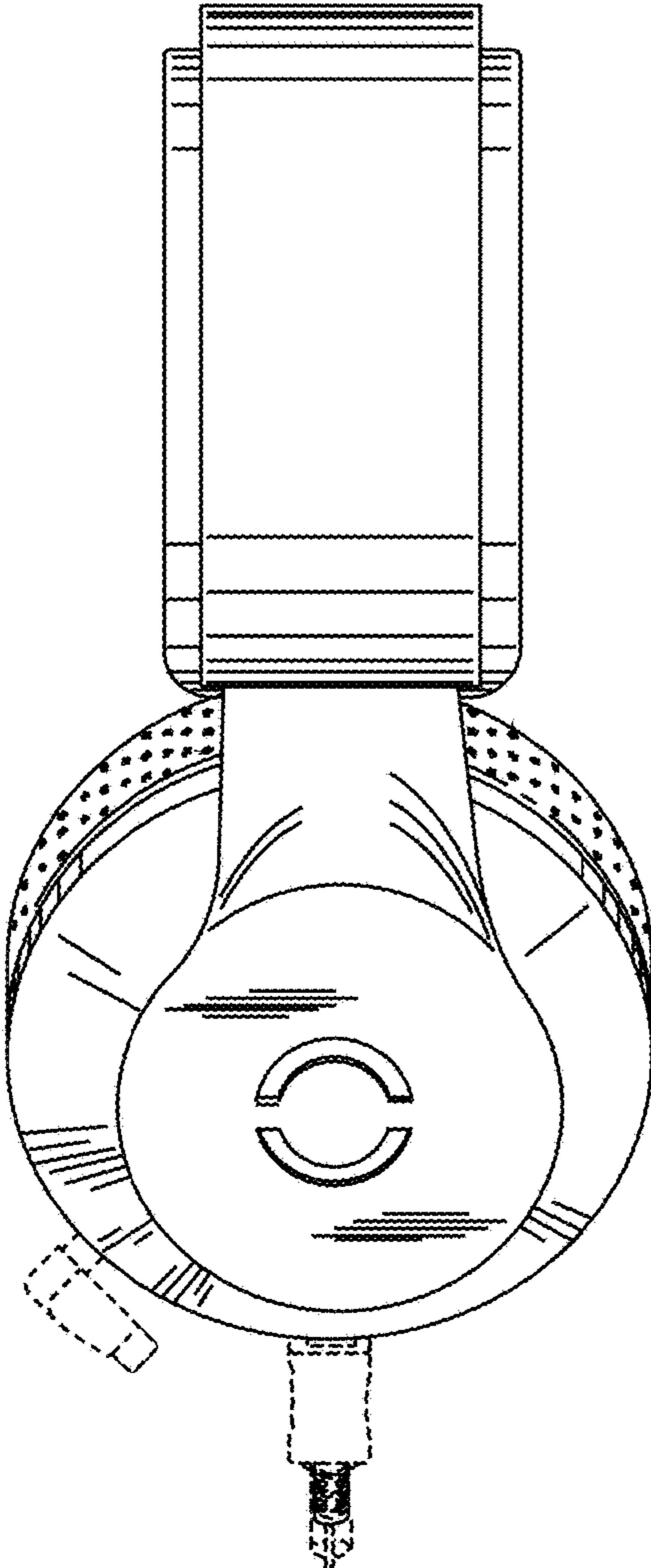


FIG. 7

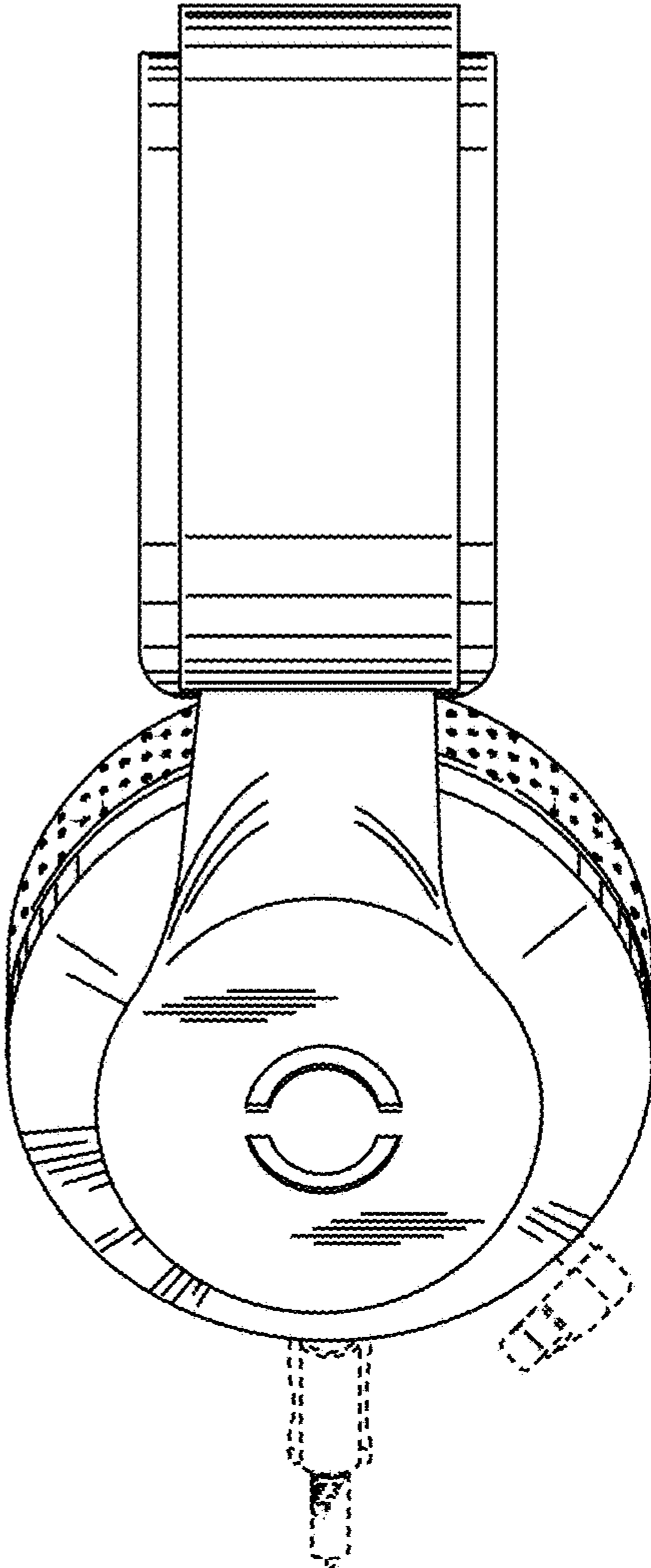


FIG. 8